



**MAVERICK**<sup>®</sup>  
H U N T I N G

---

# ASSEMBLY INSTRUCTIONS

**MAVERICK<sup>®</sup> BLINDS**

5-SHOOTER GX • 6-SHOOTER • MAVERICK XL

# REGISTER YOUR BLIND



## REGISTER YOUR MAVERICK BLIND:

[maverickhunting.com/blind-warranty-registration](http://maverickhunting.com/blind-warranty-registration)

All Maverick® blinds are warranted to be free from manufacturing and workmanship defects for as long as the original owner owns the product up to 10 years from the original date of purchase. This warranty does not include hardware or windows, only the blind itself.

Warranted blinds will be repaired or replaced, at Maverick® Hunting’s discretion. Shipping charges may apply.

Failures due to misuse, abuse, normal wear and tear, and/or improper installation & storage are not covered by this warranty. In addition, failures due to storms, high winds, floods or other acts of God are not covered by this warranty. Maverick® Hunting shall not be responsible for any incidental or consequential damages.

Blinds must be registered in order to be covered by the 10-year limited warranty. Proof of purchase will be required when registering your blind(s).

# SUPPORT



## MAVERICK BLINDS ASSEMBLY VIDEO

[maverickhunting.com/set-up-assembly](http://maverickhunting.com/set-up-assembly)

## LOVE YOUR MAVERICK?

Follow us on social media at @MaverickHunting, post your blind set up, submit your story, and leave us a review on [MaverickHunting.com](http://MaverickHunting.com)

### Questions?

Contact [support@maverickhunting.com](mailto:support@maverickhunting.com) or give us a call at 920-965-8397. Our team is always here and happy to help you with any questions you may have.

# PARTS & PIECES

## Tips to ensure your Maverick Blind is around for a long time:

- + Store the blind standing up to prevent warping.
- + Protect your blind from the wind by staking it in the ground or bolting it to a platform through the flange.
- + When operating a firearm from inside the blind, be sure the barrel is outside the window for your safety and protection.

## Your Maverick Blind Kit Includes:

Part	5-Shooter GX	6-Shooter	XL
Half Shell with Door	1	1	1
Half Shell with Windows	1	1	1
Horizontal Plexiglass Windows	5 (22" x 10")	0	0
Vertical Plexiglass Windows	1 (11" x 19")	6 (11" x 19")	6 (11" x 19")
Window Hinge Kit (hinges, screws, nuts)	1	1	1
Window Clip Kit (clips, screws)	1	1	1
Door Latch Kit (latches, keepers, screws, nuts)	1	1	1
Door Handle Kit (handles, bolts, nuts)	1	1	1
¼" x 1" Hex Bolt Kit with Nuts	1	1	1
Door Seal	1	1	1
Window Seal	1	1	1

## Tools required for assembly:

- + Drill and ¼" drill bit
- + 5/16" and 7/16" sockets/wrenches
- + Phillips head screwdriver
- + Hunting saw or utility knife

## Optional tools:

- + Quick-grip or vice grip clamps – to hold pieces together while drilling.
- + 7/16" wrench

**PRO TIP:** Install your windows and window hardware before taking your blind into the field to avoid losing small hardware

# INSTALLING WINDOWS

5-SHOOTER GX	Parts	Quantity
	Horizontal Plexiglass Windows	5 (22" x 10")
	Vertical Plexiglass Windows	1 (11" x 19")
	Window Hinges	11
	Window Hinge Screws/Nuts	44
	Window Clips	18
	Window Clip Kit Screws	20
	Window Seal Roll	1

6-SHOOTER	Parts	Quantity
	Vertical Plexiglass Windows	1 (11" x 19")
		8 (10" x 22")
	Window Hinges	9
	Window Hinge Screws/Nuts	36
	Window Clips	27
	Window Clip Kit Screws	30
Window Seal Roll	1	

XL	Parts	Quantity
	Vertical Plexiglass Windows	9 (11" x 22")
	Window Hinges	18
	Window Hinge Screws/Nuts	72
	Window Clips	27
	Window Clip Kit Screws	30
Window Seal Roll	1	

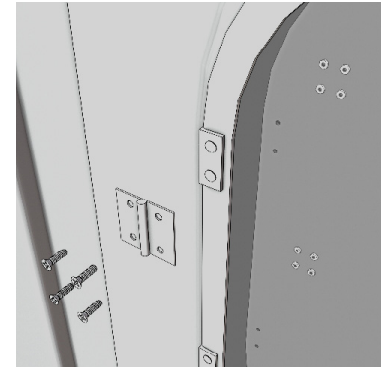
# INSTALLING WINDOWS

## Installing Windows (Blind Specific)

**Step 1:** Peel off protective film from windows

**Step 2:** Mount hinges into the pre-drilled holes at the bottom (5-Shooter GX or 6-Shooter) or side (XL) of each blind window

- + The hinge pins & screw heads should be inside the blind when installed



**DO NOT** over tighten hinges to the plexiglass; this can cause the window to crack. Tighten nuts by hand or with a socket.

**DO NOT** use Loctite.

**Step 3:** Hand-tighten nuts or use a 5/16" socket to snug them

- + Screw heads and hinge pins should be inside, nuts on the outside

**Step 4:** Apply seal to outer edge of each window on the side opposite of the hinge

- + Gradually peel white backing off as you make your way around the window while applying some tension
- + Stay within 1/8" of the edge of the window
- + Tear seal from roll once complete

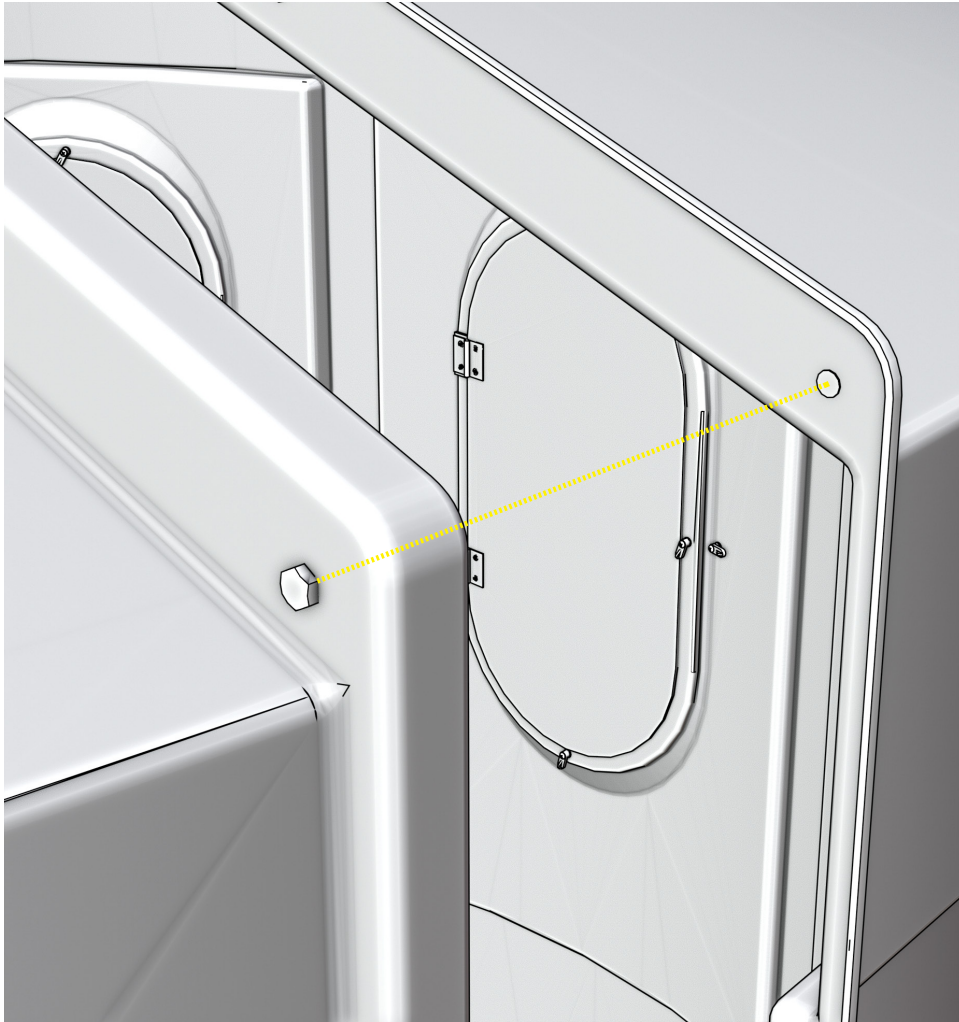
**Step 5:** Attach each window from inside the blind using screws and a drill or screwdriver

- + Notice the screws will grab the plastic of the blind and hold the windows in place temporarily
- + Attach and tighten nuts from outside

**Step 6:** From inside the blind, use machine screws to mount (3) window clips per window into pre-drilled holes (No nuts needed)

## CONNECTING THE TWO SIDES

Part	5-Shooter GX	6-Shooter	XL
Half Shell with Door	1	1	1
Half Shell with Windows	1	1	1
1/4" x 1" Hex Bolts with Nuts	21	21	21



## CONNECTING THE TWO SIDES

### Connecting the Two Sides

**Step 1:** Slide the (2) shells together. Make sure the rain guard at the top of the door shell completely covers the flange of the other shell.

+ Clamp the (2) shells together to secure them while you drill holes

**Step 2:** Drill through dimple marks in the top (2) corners, tighten bolts by hand

**Step 3:** Drill through the remaining dimples down each side of the blind

**Step 4:** Tighten bolts by hand or with a 7/16" socket wrench

**Step 5:** Repeat steps 3-4 for the remaining dimples on the roof

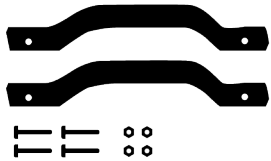
**DO NOT** over tighten the bolts.

# INSTALLING DOOR HARDWARE

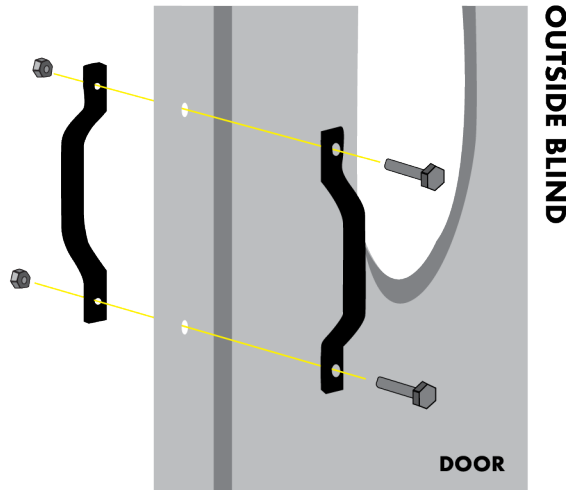
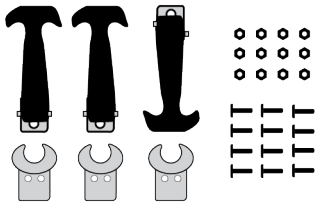
## 5-Shooter GX and 6-Shooter Specific Instructions

Part	5-Shooter GX	6-Shooter
Door Latch Kit (2 latches outside, 1 latch inside)	3	3
Door Handle Kit (1 handle outside, 1 handle inside)	1	1
Door Seal	1	1

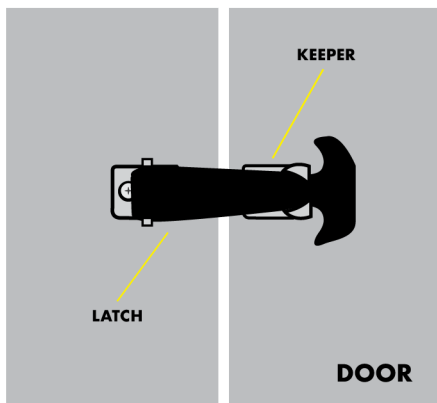
### Door Handle Kit



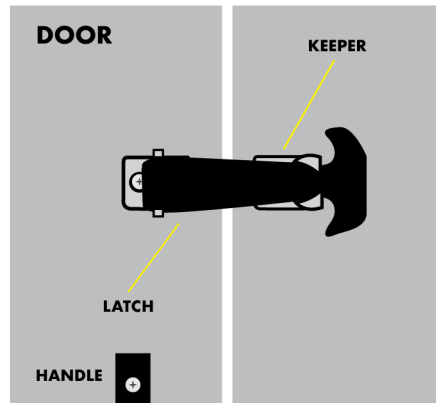
### Door Latch Kit



### OUTSIDE BLIND (x2)



### INSIDE BLIND (x1)



# INSTALLING DOOR HARDWARE

## Installing the 5-Shooter GX & 6-Shooter Door Hardware

**Step 1:** Cut the remaining (2) tabs out of the door that are holding it closed

- + These are in place to secure door during shipping

**Step 2:** Slide door seal onto the blind

- + You can trim the seal at each corner or wrap it continuously until you reach the hinges
- + Trim the remaining seal piece to fit between the door hinges
- + You may have to push or tap the seals on

**Step 3:** Place door handles back-to-back using the middle set of pre-drilled holes on the door using (2) bolts and (2) nuts

**Step 4:** Install (3) door latch keepers using pre-drilled holes on the door

- + Screws install from the outside of the blind and thread through to the inside
- + Place (2) keepers on the outside of the blind and (1) on the inside

**Step 5:** Install the (3) door latches using the pre-drilled holes on the blind

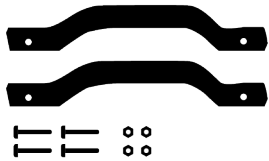
- + Place (2) latches on the outside of the blind and (1) on the inside

# INSTALLING DOOR HARDWARE

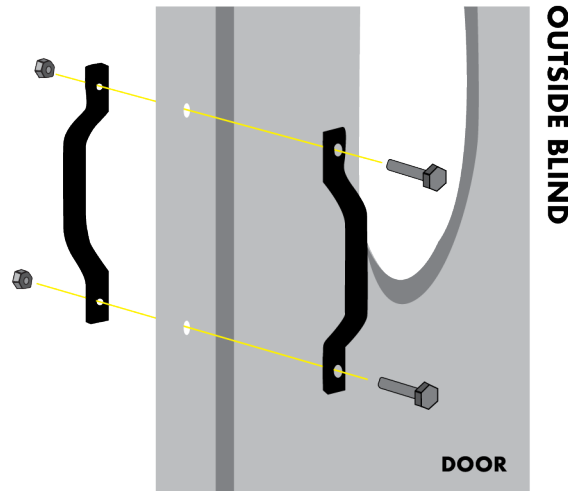
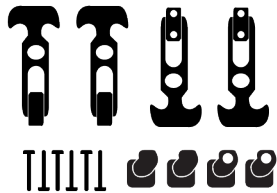
## XL Specific Instructions

Part	XL
Door Latch Kit (2 latches inside, 2 latches outside)	2 Sets
Door Handle Kit (1 handle inside, 1 handle outside)	1
Door Seal	1

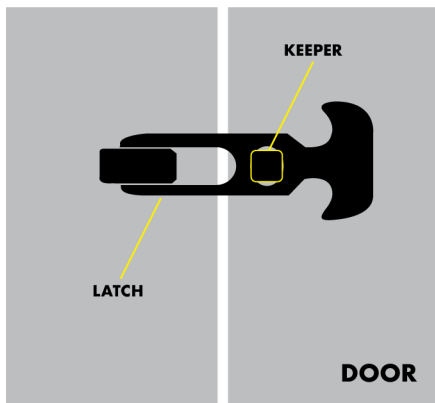
### Door Handle Kit



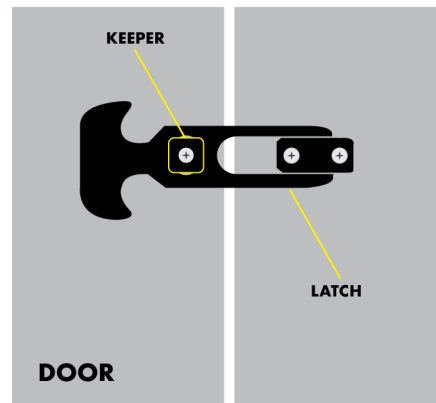
### Door Latch Kit



### OUTSIDE BLIND



### INSIDE BLIND



# INSTALLING DOOR HARDWARE

## Installing the Maverick XL Door Hardware

**Step 1:** Cut the remaining (2) tabs out of the door that are holding it closed

- + These are in place to secure door during shipping

**Step 2:** Slide door seal onto the door on the top, bottom, and handle side

- + You can trim the seal at each corner and the remaining seal piece to fit between the door hinges
- + You may need to push or tap the seal on.

**Step 3:** Place door handles back-to-back using the middle set of pre-drilled holes on the door using (2) bolts and (2) nuts

**Step 4:** Install door latch keepers using pre-drilled holes on the door

- + Keepers with through holes go on the inside of the blind
- + Install screw through the hole farthest from the seam of the door (the other hole is for the locating tab on the keeper)
- + Screws install from the inside of the blind and thread into the keeper on the outside of the blind

**Step 5:** Using the pre-drilled holes, install latches by attaching the bracket to the wall of the blind

- + Latches with through holes go on the inside of the blind
- + Screws install from the inside of the blind and thread into the keeper on the outside of the blind



**MAVERICK<sup>®</sup>**  
H U N T I N G

MAVERICKHUNTING.COM