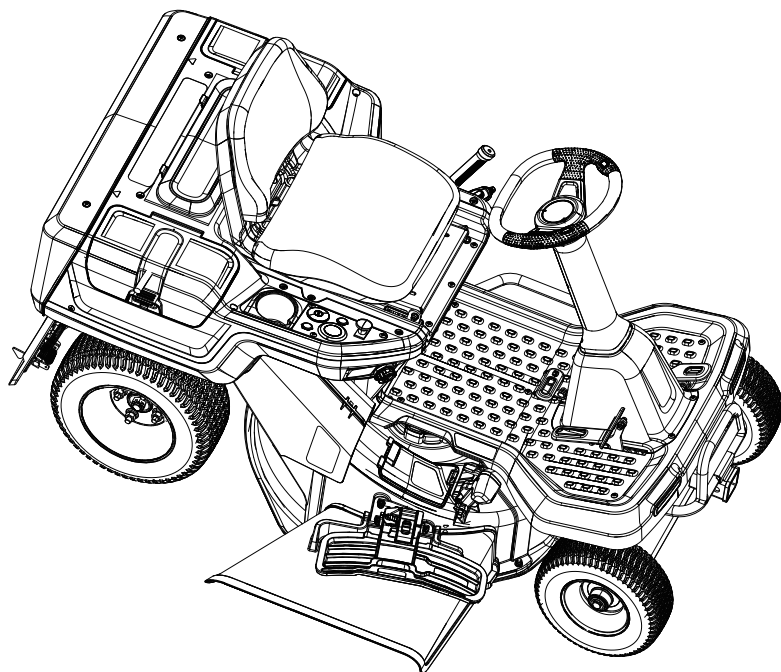


greenworks[®]

CRT306
CRT308

EN	LAWN TRACTOR	OPERATOR MANUAL
FR	TONDEUSE AUTOPORTÉE	MANUEL D'UTILISATION
ES	TRACTOR DE CÉSPED	MANUAL DEL OPERADOR



TRCDCBL1413
TRB4568
ZTB456

www.greenworkstools.com

Manufacturer: GREENWORKS TN MFG, LLC
Address: 5320 E Morris Blvd, Morristown, TN, USA, 37813

1	Introduction.....	4	8	Transportation.....	20
1.1	Product description.....	4	8.1	Transport the mower.....	20
1.2	Intended use.....	4	8.2	Transport the lithium-ion battery.....	21
1.3	Safety symbols on the product.....	4	8.3	Moving the Mower Manually.....	21
1.4	Environmentally safe battery disposal.....	4	9	Clean and storage.....	21
1.5	California Proposition 65.....	5	9.1	Clean the product.....	21
2	Safety.....	5	9.2	Clean the mower deck.....	21
2.1	Safety definitions.....	5	9.3	Store the product.....	21
2.2	General safety warnings.....	5	10	Maintenance.....	22
2.3	Ride-on mower safety warnings.....	7	10.1	Maintenance safety.....	22
2.4	Read all instructions.....	7	10.2	Battery maintenance.....	22
3	Uncrate the product.....	11	10.3	Charging.....	22
4	Assembly.....	12	10.4	Recommended maintenance schedules.....	24
4.1	Install the seat.....	12	10.5	Check tire pressure.....	24
4.2	Install the steering wheel.....	12	10.6	Torque values.....	24
4.3	Install the side discharge chute.....	13	10.7	Service the mower blades.....	24
5	Features and controls.....	14	11	Troubleshooting.....	27
5.1	Product controls.....	14	12	Technical data.....	29
6	Electrical system.....	16	13	Warranty.....	30
6.1	Electrical system safety.....	16	13.1	Items not covered by warranty.....	30
6.2	Electrical system information.....	16	13.2	Helpline.....	30
7	Operation.....	16	13.3	Transportation charges.....	30
7.1	Before operation.....	16	14	Greenworks product registration.....	31
7.2	Start the product.....	17	15	Serial Number(s).....	31
7.3	Stop the product.....	18	16	Errors.....	31
7.4	Reverse mode operation.....	18	16.1	Error code.....	33
7.5	Mowing.....	19			
7.6	Mowing patterns.....	19			
7.7	Mowing recommendations.....	20			

1 INTRODUCTION

1.1 PRODUCT DESCRIPTION

This product is a battery-operated ride-on mower with electric motors.







We are committed to continuously improving our products and reserve the right to modify the design and appearance without prior notice.








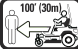

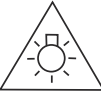
1.2 INTENDED USE

The product is designed for efficiently cutting and maintaining grass on residential lawns and outdoor spaces. It is not designed for any other purpose.

1.3 SAFETY SYMBOLS ON THE PRODUCT

Read the safety decals before operating your lawn mower. The warnings have been developed for your safety. Understand and follow all safety decals to reduce the risk of a personal injury or property damage.

Symbol	Explanation
IPX4	Protection from splashing water.
V	Voltage
kg	Weight
lbs	Weight
n_0	Rotational speed, at no load
	Indicates a potential personal injury hazard.
	To reduce the risk of injury, user must read and understand operator's manual before using this product.
	Wear ear protection.
	Always wear safety goggles or safety glasses with side shields and a full face shield when operating this product.
	Do not open or remove safety shields while the product is running.
	To reduce the risk of injury, keep hands and feet away from rotating parts. Do not operate unless discharge cover or grass bag is in its proper place. If damaged, replace immediately.

Symbol	Explanation
	Professional training is required before operating or maintaining the product.
	Do not mow when children or others are around.
	Never carry children or anyone, even when the blades are off.
	Always look down and behind you when maneuvering in reverse or turning around. Make sure children, bystanders, and pets are clear of the area.
	Do not tow this product, it may cause damage to the drive system.
	Use extra caution on slopes. Do not mow slopes greater than 15 degrees. Do not use on slopes near open water.
	Remove objects that can be thrown by the blade in any direction. Wear safety glasses.
	Keep all bystanders at least 30m (100ft.) away.
	Do not step.
	CAUTION --- Do not stare at operating lamp.

1.4 ENVIRONMENTALLY SAFE BATTERY DISPOSAL



The toxic and corrosive materials below are in the batteries used in this product: **Lithium-ion, a toxic material.**

▲ WARNING

Discard all toxic materials in a specified manner to prevent contamination of the environment. Before discarding damaged or worn-out Lithium-ion battery, contact your local waste disposal agency, or the local Environmental Protection Agency for information and specific instructions. Take the batteries to a local recycling and/or disposal center, certified for Lithium-ion disposal.

▲ WARNING

If the battery pack cracks or breaks, with or without leaks, do not recharge it and do not use. Discard it and replace with a new battery pack. **DO NOT TRY TO REPAIR IT!** To prevent injury and risk of fire, explosion, or electric shock, and to avoid damage to the environment:

- Cover the terminals of the battery with heavy-duty adhesive tape.
- DO NOT try to remove or destroy any of the battery pack components.
- DO NOT try to open the battery pack.
- If a leak develops, the released electrolytes are corrosive and toxic. DO NOT get the solution in the eyes or on skin, and do not swallow it.
- DO NOT put these batteries in your regular household trash.
- DO NOT incinerate.
- DO NOT put them where they will become part of any waste landfill or municipal solid waste stream.
- Take them to a certified recycling or disposal center.

1.5 CALIFORNIA PROPOSITION 65**▲ WARNING**

THIS PRODUCT CONTAINS OR EMITS A CHEMICAL KNOWN TO THE STATE OF CALIFORNIA TO CAUSE CANCER OR BIRTH DEFECTS OR OTHER REPRODUCTIVE HARM.

2 SAFETY**2.1 SAFETY DEFINITIONS**

Warnings, cautions, and notes are used to point out especially important parts of the manual.

▲ WARNING

THERE IS A RISK OF INJURY OR DEATH FOR THE OPERATOR OR BYSTANDERS, IF THE INSTRUCTIONS IN THE MANUAL ARE NOT OBEYED.

▲ CAUTION

THERE IS A RISK OF DAMAGE TO THE PRODUCT, OTHER MATERIALS, OR THE ADJACENT AREA, IF THE INSTRUCTIONS IN THE MANUAL ARE NOT OBEYED.

Note: Used to give more information that is necessary in a given situation.

2.2 GENERAL SAFETY WARNINGS**▲ WARNING**

Read all safety warnings, instructions, illustrations and specifications provided with this product.

Failure to follow all instructions listed below may result in electric shock, fire and/or serious injury.

Save all warnings and instructions for future reference.

The term "product" in the warnings refers to your mains-operated (corded) product or BATTERY-operated (cordless) product.

2.2.1 WORK AREA SAFETY

- **Keep work area clean and well lit.** *Cluttered or dark areas invite accidents.*
- **Do not operate the product in explosive atmospheres, such as in the presence of flammable liquids, gases or dust.** *The product creates sparks which may ignite the dust or fumes.*
- **Keep children and bystanders away while operating the product.** *Distractions can cause you to lose control.*

2.2.2 ELECTRICAL SAFETY

- **Product plugs must match the outlet. Never modify the plug in any way. Do not use any adapter plugs with earthed (grounded) product.** *Unmodified plugs and matching outlets will reduce risk of electric shock.*
- **Avoid body contact with earthed or grounded surfaces, such as pipes, radiators, ranges and refrigerators.** *There is an increased risk of electric shock if your body is earthed or grounded.*
- **Do not expose the product to rain or wet conditions.** *Water entering a product will increase the risk of electric shock.*
- **Do not abuse the cord. Never use the cord for carrying, pulling or unplugging the product. Keep cord away from heat, oil, sharp edges or moving parts.** *Damaged or entangled cords increase the risk of electric shock.*
- **When operating the product outdoors, use an extension cord suitable for outdoor use.** *Use of a cord suitable for outdoor use reduces the risk of electric shock.*

- If operating the product in a damp location is unavoidable, use a Residual Current Device (RCD) protected supply. *Use of an RCD reduces the risk of electric shock.*
- Do not clean the product with water from a hose or a pressure washer. Water entering a product will increase the risk of electric shock.
- Do not operate the product in rain. Water entering a product will increase the risk of electric shock.
- Disconnect the plug from the power source and/or remove the BATTERY pack, if detachable, from the product before making any adjustments, changing accessories, or storing the product. *Such preventive safety measures reduce the risk of starting the product accidentally.*
- Store an idle product out of the reach of children and do not allow persons unfamiliar with the product or these instructions to operate the product. *A product is dangerous in the hands of untrained users.*

2.2.3 PERSONAL SAFETY

- Stay alert, watch what you are doing and use common sense when operating the product. Do not use the product while you are tired or under the influence of drugs, alcohol or medication. *A moment of inattention while operating the product may result in serious personal injury.*
- Use personal protective equipment. Always wear eye protection. *Protective equipment such as a dust mask, non-skid safety shoes, hard hat, or hearing protection used for appropriate conditions will reduce personal injuries.*
- Prevent unintentional starting. Ensure the switch is in the off-position before connecting to power source and/or Battery pack, picking up or carrying the product. *Carrying power tools with your finger on the switch or energizing power tools that have the switch on invites accidents.*
- Remove any adjusting key or wrench before turning the product on. *A wrench or a key left attached to a rotating part of the product may result in personal injury.*
- Do not overreach. Keep proper footing and balance at all times. *This enables better control of the product in unexpected situations.*
- Dress properly. Do not wear loose clothing or jewelry. Keep your hair, clothing away from moving parts. *Loose clothes, jewelry or long hair can be caught in moving parts.*
- If devices are provided for the connection of dust extraction and collection facilities, ensure these are connected and properly used. *Use of dust collection can reduce dust-related hazards.*
- Do not let familiarity gained from frequent use of tools allow you to become complacent and ignore tool safety principles. *A careless action can cause severe injury within a fraction of a second.*
- Maintain the product and accessories. Check for misalignment or binding of moving parts, breakage of parts and any other condition that may affect the operation of the product. If damaged, have the product repaired before use. *Many accidents are caused by poorly maintained product.*
- Keep cutting tools sharp and clean. *Properly maintained cutting tools with sharp cutting edges are less likely to bind and are easier to control.*
- Use the product, accessories and tool bits etc. in accordance with these instructions, taking into account the working conditions and the work to be performed. *Use of the product for operations different from those intended could result in a hazardous situation.*
- Keep handles and grasping surfaces dry, clean and free from oil and grease. *Slippery handles and grasping surfaces do not allow for safe handling and control of the product in unexpected situations.*
- Remove the key or disable the product when leaving the product unattended. *The product is dangerous to untrained users.*

2.2.5 BATTERY TOOL USE AND CARE

- Recharge only with the charger specified by the manufacturer. *A charger that is suitable for one type of battery pack may create a risk of fire when used with another battery pack.*
 - Use the product only with specifically designated battery packs. *Use of any other battery packs may create a risk of injury and fire.*
 - When battery pack is not in use, keep it away from other metal objects, like paper clips, coins, keys, nails, screws or other small metal objects, that can make a connection from one terminal to another. *Shorting the battery terminals together may cause burns or fire.*
 - Under abusive conditions, liquid may be ejected from the battery; avoid contact. If contact accidentally occurs, flush with water. If liquid contacts eyes, additionally seek medical help. *Liquid ejected from the battery may cause irritation or burns.*
 - Do not use a battery pack or product that is damaged or modified. *Damaged or modified*
- ## 2.2.4 PRODUCT USE AND CARE
- Do not force the product. Use the correct product for your application. *The correct product will do the job better and safer at the rate for which it was designed.*
 - Do not use the product if the switch does not turn it on and off. *Any product that cannot be controlled with the switch is dangerous and must be repaired.*

batteries may exhibit unpredictable behavior resulting in fire, explosion or risk of injury.

- **Do not expose a battery pack or product to fire or excessive temperature.** Exposure to fire or temperature above 265°F (130°C) may cause explosion.
- **Follow all charging instructions and do not charge the battery pack or product outside the temperature range specified in the instructions.** Charging improperly or at temperatures outside the specified range may damage the battery and increase the risk of fire.

2.2.6 SERVICE

- **Have your product serviced by a qualified repair person using only identical replacement parts.** This will ensure that the safety of the product is maintained.
- **Never service damaged battery packs.** Service of battery packs should only be performed by the manufacturer or authorized service providers.

2.3 RIDE-ON MOWER SAFETY WARNINGS

- **Do not use the mower in bad weather conditions, especially when there is a risk of lightning.** This decreases the risk of being struck by lightning.
- **Thoroughly inspect the area for wildlife where the mower is to be used.** Wildlife may be injured by the mower during operation.
- **Thoroughly inspect the area where the mower is to be used and remove all stones, sticks, wires, bones, and other foreign objects.** Thrown objects can cause personal injury.
- **Before using the mower, always visually inspect to see that the blade and the blade assembly are not worn or damaged.** Worn or damaged parts increase the risk of injury.
- **Keep guards in place. Guards must be in working order and be properly mounted.** A guard that is loose, damaged, or is not functioning correctly may result in personal injury.
- **Keep all cooling air inlets clear of debris.** Blocked air inlets and debris may result in overheating or risk of fire.
- **While operating the mower, always wear non-slip and protective footwear. Do not operate the mower when barefoot or wearing open sandals.** This reduces the chance of injury to the feet from contact with the moving blade.
- **While operating the mower, always wear long pants.** Exposed skin increases the likelihood of injury from thrown objects.
- **Do not operate the mower on slopes greater than 15 degrees.** This reduces the risk of loss

of control, slipping and falling which may result in personal injury.

- **When working on slopes, always be sure of your footing.** This reduces the risk of loss of control, slipping and falling which may result in personal injury.
- **Do not mow from side-to-side when operating mowers on unlevel or sloped ground. Always mow slopes in the up-and-down direction.** This reduces the risk of loss of control, slipping and falling which may result in personal injury.
- **Do not touch blades and other hazardous moving parts while they are still in motion.** This reduces the risk of injury from moving parts.
- **When clearing jammed material or cleaning the mower, make sure all power switches are off and remove (or activate) the disabling device.** Unexpected operation of the mower may result in serious personal injury.
- Use extreme caution when reversing or pulling the lawnmower towards you. Always be aware of your surroundings.
- The user and technician **SHALL** carefully review **ALL** applicable original equipment manufacturer (OEM) safety-related repair manual procedures, training, and precautions before use, maintenance and service.

Note: The user and technician should consult a medical professional if they have or are wearing:

- An implanted defibrillator.
- A cardiac pacemaker.
- An internal analgesic medication pump.
- An insulin pump.
- Hearing aids.
- Other medical devices.

2.4 READ ALL INSTRUCTIONS

▲ DANGER

This mower was built to be operated according to the rules for safe operation that are contained in this manual. As with any type of power equipment, carelessness or error on the part of the operator can result in serious injury. This mower is capable of amputating body parts and throwing objects. Failure to observe the following safety rules could result in serious injury or death.

▲ WARNING

Basic safety precautions should always be followed when using lawnmowers in order to reduce the risk of fire, electric shock, and personal injury.

▲ WARNING

Use of this mower should be restricted to individuals who have read and understand and will follow the warnings and instructions that are printed in this manual and on the mower.

▲ WARNING

- Carefully read all instructions on the mower and in the manual before attempting to assemble and operate the mower.
- For safe operation, read, understand, and follow all instructions in this manual.
- Become familiar with all controls and their proper operation. Know how to stop the mower and how to disengage the power in an emergency.
- Keep this manual in a safe place for reference and consult it regularly.

2.4.1 GENERAL SAFETY

- Do not use battery-operated ride-on mower in rain.
- Only allow responsible, capable adults who are familiar with the instructions to operate this product.
- Safe operation requires your full attention and capabilities.
- Always look where you are going and be aware of your surroundings.
- Listen to the product and be aware of any change.
- Feel the product and its responses from both your inputs and the environment.
- Remain focused on your task.
- Always wear proper eye protection that complies with the latest safety standards in order to reduce the risk of eye injury while operating or performing any adjustment or repair. See ANSI Z87.1.
- Do not operate product unless discharge guard or other safety devices are in place and working.
- Always wear a face mask or a dust mask while operating the mower in a dusty environment.
- Always dress properly. The wearing of protective gloves and safety footwear is recommended.
- Never operate the product while using a mobile phone or any other electronic device. Operating while distracted can increase the risk of serious personal injury to the operator and bystanders.
- Do not operate the equipment while wearing sandals, tennis shoes, sneakers, shorts or any type of loose-fitting clothing. Wear safety shoes, hard hats, long pants, protective eyewear and hearing protection during operation to reduce the risk of personal injury. Avoid loose-fitting clothing, jewelry and any other apparel that could be caught on moving parts. Secure hair above shoulder level before starting work.
- Never carry passengers and keep bystanders away.

- Follow the manufacturer's recommendation for wheel weights or counterweights.

2.4.2 PREPARATION BEFORE OPERATING

- Clear the operating area of any objects which could be thrown by or interfere with operation of the product.
- Keep the area of operation clear of all bystanders, particularly small children. Stop the product and attachment(s) if anyone enters the area.
- Do not operate the product without the entire grass catcher, discharge chute, or other safety devices in place and functioning properly. Check frequently for signs of wear or deterioration and replace as needed.
- Wear appropriate personal protective equipment such as safety glasses, hearing protection, and footwear.
- Do not carry passengers anywhere on the product. Keep pets and bystanders out of the mowing area during operation.

2.4.3 OPERATING

- Never operate a poorly maintained product. Repair or replace any damaged components before restarting and operating the lawnmower.
- Always keep safety shields and covers in place.
- Follow daily and weekly checklists, making sure electrical connections are secured and bolts are tightened.
- Never operate mower without a proper trail shield, discharge cover, switch control, or other safety device in place and in working order. Do not operate the mower with damaged safety devices; doing so can result in injury.
- Minimize exposure to water. Do not drive into water. Do not leave in rain. Do not clean with pressurized water or hose.
- Always drive with both hands. Do not drive with just one hand.
- Only operate the product in daylight or good artificial light.
- Avoid holes, ruts, bumps, rocks, or other hidden hazards. Uneven terrain could overturn the product, or cause operator to lose their balance or footing.
- Do not put hands or feet near rotating parts or under the product. Keep clear of the discharge opening at all times.
- Do not direct discharge material toward anyone. Avoid discharging material against a wall or obstruction. Material may ricochet back toward the operator. Stop the blade(s) when crossing gravel surfaces.
- Never attempt high-speed maneuvering, especially in crowded, congested areas or on slopes.
- Slow down before turning.

- In order to avoid contact with the blade or injury caused by a thrown object, stay in the operating zone behind the handles, and keep children and bystanders at least 100ft (30m) away from the mower while it is in operation. Stop the motor immediately if someone enters the mowing area.
- Do not leave a running product unattended. Always park on level ground, disengage the attachment, set parking brake, and stop product.
- Do not put hands or feet near rotating parts or under the cutting deck. Contact with the blade can amputate hands and feet.
- If the mower starts to vibrate excessively, stop the motor and check for the cause immediately. Excessive vibration is generally a sign the mower is not functioning properly.
- Stop the motor and wait until the blade comes to a complete stop before unclogging the chute. The cutting blade will continue to rotate for a few seconds after the motor is shut off. Do not place any part of your body in the blade area until you are sure that the blade has stopped rotating.
- If lawnmower strikes a foreign object, stop the product, rotate the ignition switch to "OFF" position, then, if it is safe, inspect for damage.
- Don't force the lawnmower.
- Do not use the mower for any job except that for which it is intended.
- Do not mow in reverse unless absolutely necessary. Always look down, behind and to the side before changing directions or backing up. A careless action can cause inflict death or severe injury within a fraction of a second.

2.4.4 CHILDREN SPECIFIC

- Tragic accidents can occur if the operator is not alert to the presence of children. Children are often attracted to the product and the mowing activity. Never assume that children will remain where you last saw them.
- Keep children out of the operating area and under the watchful care of another responsible adult other than the operator.
- Do not carry children, even with the blade(s) off. Children could fall off and be seriously injured or interfere with safe operation. Children who have been given rides in the past could suddenly appear in the mowing area for another ride and be run over or backed over by the product.

2.4.5 USE A RAMP

- When loading or unloading the product from a trailer, always use full width ramps that extend beyond the width of the product.
- This provides a surface for the mower frame to contact if the unit starts to tip backwards. It also reduces the risk of a wheel going off and the product tipping over.

- Do not exceed a 15-degree angle between the ramp and the ground or between the ramp and the trailer or truck.
- Become familiar with the mower's controls and confident in its smooth operation before attempting to drive it up or down a ramp.
- Use slow drive mode and drive carefully.
- Avoid any sudden movement of the controls and use only slow, even acceleration.

2.4.6 TOWING

- Tow only with a product that has a hitch designed for towing. Do not attach towed equipment except at the hitch point.
- Follow the manufacturer's recommendation for weight limits for towed equipment and towing on slopes. (Reference 7.1.2)
- Never allow children or others in or on towed equipment.
- On slopes, the weight of the towed equipment may cause loss of traction and loss of control.
- Travel slowly and allow extra distance to stop.

2.4.7 SERVICE

- Keep product in good working order. Replace worn or damaged parts.
- Use caution when servicing blades. Wrap the blade(s) or wear gloves. Replace damaged blades. Do not repair or alter blade(s).
- Do not charge ride-on mower in rain, or wet locations.
- Store idle ride-on mower indoors - When not in use, ride-on mower should be stored in an indoor dry and locked-up place - out of reach of children.
- Turn off and remove start key before servicing, cleaning, or removing material from the ride-on mower.

Save all warnings and instructions for future reference.

2.4.8 SLOPE OPERATION



Slopes are a major factor related to accidents. Operation on slopes requires extra caution. To reduce the risk of injury, never operate the product under any condition where you experience wheel slipping or sliding, or where wheel traction or mower stability and control are in doubt. The product may slide even if the wheels are stopped. These conditions increase the risk of roll over.

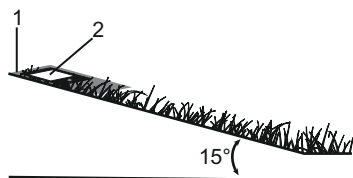
- Never operate on a slope greater than 15 degrees - a slope that has 5.4 feet of elevation change over any 20 foot segment. See **Slope Identification Guide** (Reference 2.4.9) in this Operator Manual.
- Reduce speed and use extra care when mowing on slopes. If you cannot back up the slope or if you feel uncomfortable, do not drive on the slope.
- Avoid turning the product down slopes. Turn up slopes.
- Always keep the product in gear when going down slopes. Do not coast downhill.
- Avoid starting and stopping on slopes. Avoid making sudden changes in speed or direction. Make turns slowly and gradually.
- Avoid mowing grass that is slippery, wet, or soft. Operating on wet or soft slopes can cause loss of control, which can lead to tip over.
- Use extra care while operating the product with a grass catcher or other attachments. They can affect the stability of the product.

2.4.9 SLOPE IDENTIFICATION GUIDE

▲ WARNING

To reduce the risk of serious personal injury or death, never operate on slopes greater than 15 degrees. Always check the degree of slope on the lawn surface before attempting to mow in that area.

- Download an inclinometer app onto your mobile device that measures slopes.
- Place a flat piece of wood or metal, 4-6 feet in length, on the surface of the slope.
- Open the app and place your phone (2) on the flat piece of metal or wood (1) to determine the exact slope of your lawn. Do not mow if the slope is greater than 15 degrees



2.4.10 DROP-OFFS AND WATER

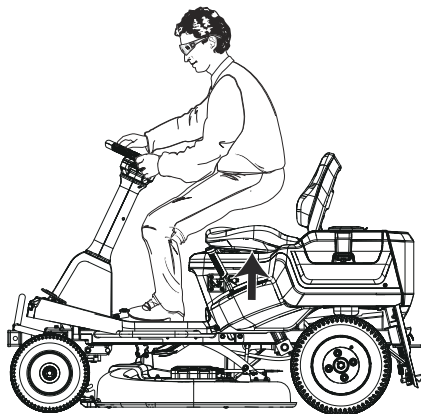
▲ WARNING

Drop-offs around steps and water are a common hazard. Never operate your mower down a slope towards water, a retaining wall, or other drop-off. Use extra caution when operating the mower in the vicinity of such hazards.

▲ WARNING

To reduce the risk of falling into water, down steps, or over the edge of a drop-off, always leave yourself two mower widths of clearance between your mower and the hazard. Failure to maintain sufficient clearance may result in serious injury, death, or drowning.

2.4.11 SAFETY INTERLOCK SYSTEM



This mower features a Safety Interlock System consisting of the parking brake, operator presence switch, PTO switch and start key to protect the operator and others from accidental injury due to unintentional start. Test the system before each use to ensure it is working properly.

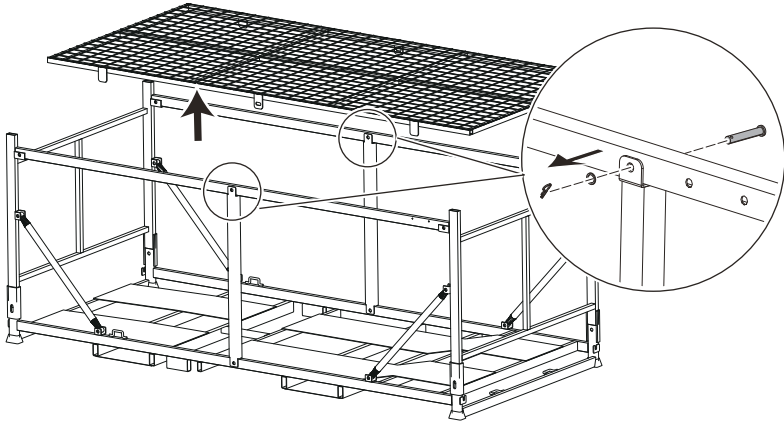
1. The operator must be on the seat when testing the operator presence switch.
2. Insert the start key and turn to ON position.
3. Release the parking brake.
4. Pull the PTO switch to engage the blades.
5. Slowly stand up from the seat. The mower blades system should stop.

The blades should shut off within 3 seconds. If they don't, immediately contact customer service. Do not operate the mower until the safety interlock system has been repaired.

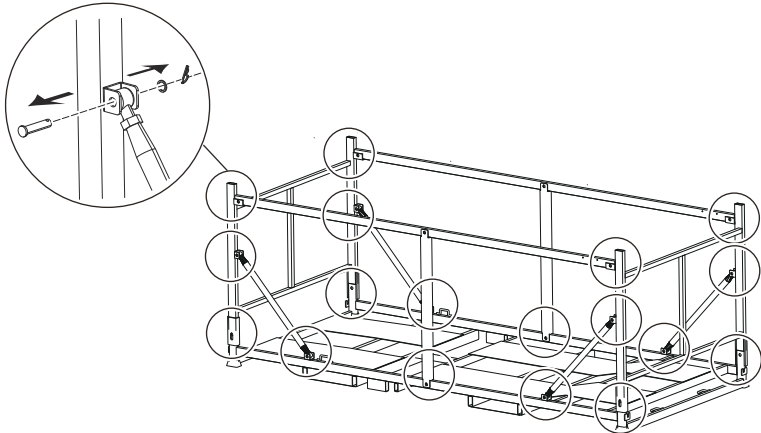
3 UNCRATE THE PRODUCT

The mower is shipped in a crate. Here is the procedure to uncrate it and drive it out.

1. Remove two pins, washers and clevis pins securing the wire netting to the frame and remove the wire netting.



2. Remove 18 pins, washers and clevis pins in total securing every brace to the frame and remove the braces.



3. Release or cut the four straps securing the front and rear wheel axles to the bottom frame.
4. Remove boxes containing the loose parts, assembly hardware and documentation.
5. Remove and set aside all accessible packaging and wrap from unit and parts. Do not discard the packing material until you have carefully inspected and satisfactorily operated the product.
6. Inspect the product carefully to make sure no breakage or damage occurred during shipping.

▲ WARNING

When assembling loose parts to your mower, verify the part is assembled correctly, is properly tightened, and is torqued correctly (where applicable) before proceeding to the next assembly step. Use of a mower that may have been improperly assembled could result in serious personal injury.

▲ WARNING

Carefully read and understand the manual before driving the mower off of the frame. Failure to follow these instructions can result in loss of control and result in death, serious personal injury, or property damage.

4 ASSEMBLY

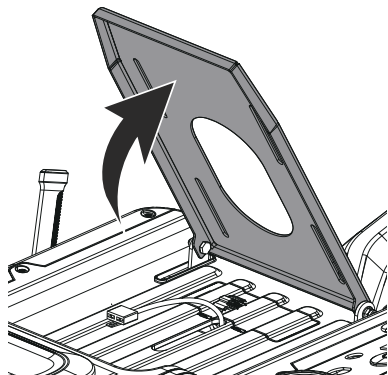
This section describes how to assemble and adjust the product.

▲ WARNING

CAREFULLY READ AND UNDERSTAND THE SAFETY CHAPTER AND THE ASSEMBLY INSTRUCTIONS BEFORE YOU ASSEMBLE THE PRODUCT.

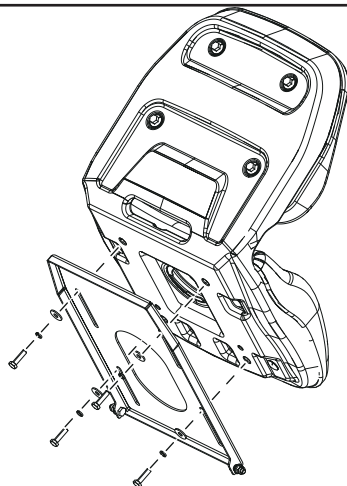
4.1 INSTALL THE SEAT

1. Lift the seat panel.

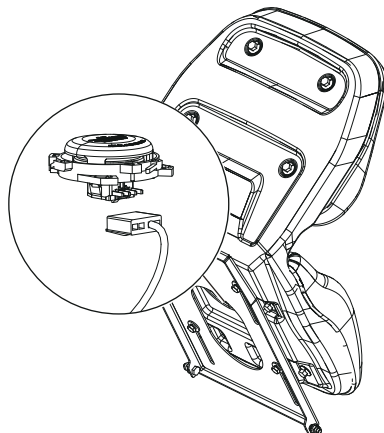


2. Place the seat assembly over the seat panel and align the holes with the mounting slits.
3. Insert the M8 bolts and washers on the seat panel mounting slits and tighten securely with 10mm socket to a torque between 11 - 15 ft/lbs (15 - 20 N.m).

Note: You can adjust the seat position by installing the bolts farther or closer from the steering wheel.



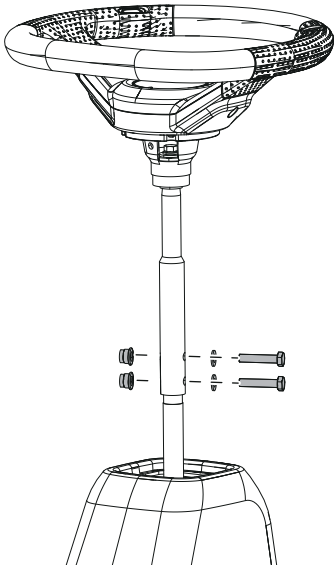
4. Connect the wire connector to the seat plug located under the seat.



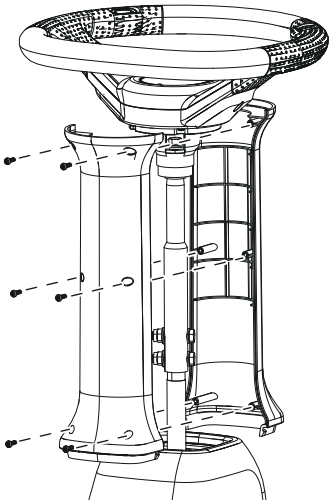
4.2 INSTALL THE STEERING WHEEL

Note: Before assembling, ensure that the mounting assembly is facing the seat.

1. Install the steering shaft into the coupler, aligning the holes in the shaft with the bolt holes in the coupler. Insert and securely tighten two M8 bolts and washers applying torque within the range of 15 - 18 ft/lbs (20 - 25 N.m) with 13 mm wrench.

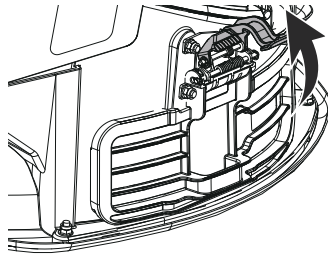


2. Join the two parts of the steering column. Insert six 16mm screws into the mounting holes and use a T20 wrench to securely tighten to a torque range of 0.6 - 0.9 ft/lbs (0.8 - 1.2 N.m).

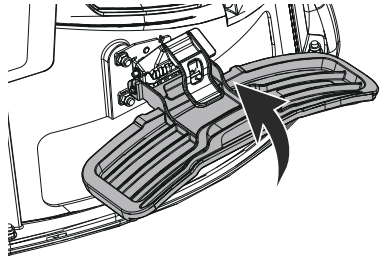


4.3 INSTALL THE SIDE DISCHARGE CHUTE

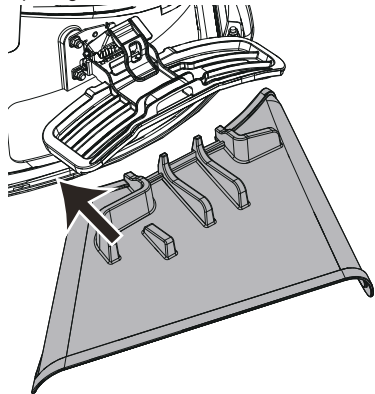
1. Lift the door clamp and hold in place.



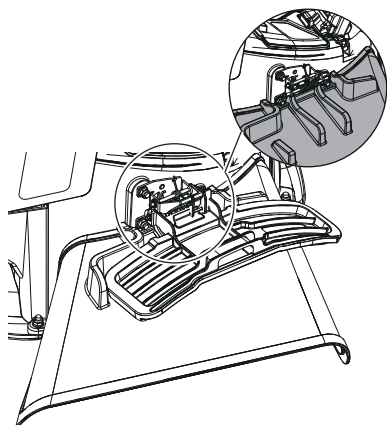
2. With your other hand, lift the side discharge door to expose the opening of the side discharge and hold in place.



3. Mount the side discharge chute so that it fits over the opening.



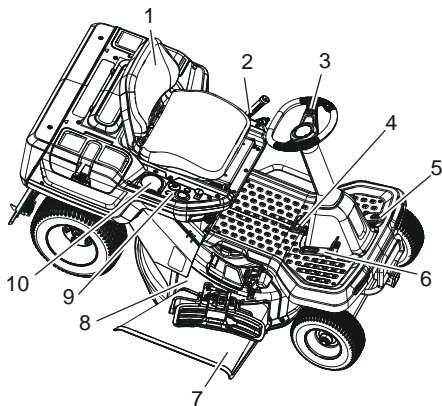
4. Align the teeth on the side discharge chute to the spindle assembly for a secure fit.



5 FEATURES AND CONTROLS

The following section provides a brief description of the function of individual controls. For information on starting, stopping, driving, and mowing, refer to the **Operation** (Reference 7) section.

5.1 PRODUCT CONTROLS



- | | | | |
|---|------------------------------|----|----------------------|
| 1 | Seat | 7 | Side discharge chute |
| 2 | Deck height adjustment lever | 8 | Rear discharge chute |
| 3 | Steering wheel | 9 | Control panel |
| 4 | Parking brake pedal | 10 | Cup holder |
| 5 | Brake pedal | | |
| 6 | Forward / Reverse pedal | | |

5.1.1 DECK HEIGHT ADJUSTMENT LEVER

Before using the mower, raise the deck height to the cutting position best suited for your lawn.

Cutting height is adjustable from 1-4 inch. Deck should be raised to avoid stumps, rocks or other obstacle that might damage mower deck.

▲ CAUTION

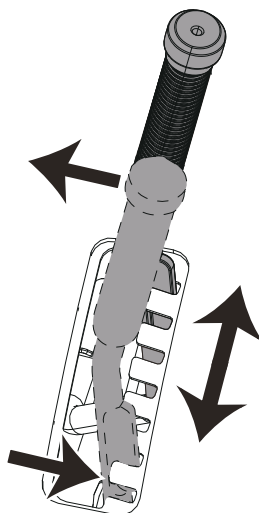
Grasp and securely hold the deck height adjustment lever when setting it, only releasing it once it's securely in the desired slot to avoid potential hand injury.

▲ CAUTION

Set the cutting height only when the mower is in the parked position or it will cause damage to the product and/or personal injury.

To adjust the cutting height:

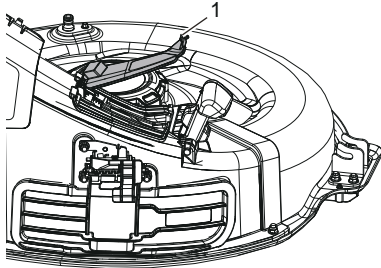
1. Stop the mower and disengage blades.
2. Turn the key to OFF position and press and hold the parking brake pedal, then fully depress the brake pedal to set the parking brake.
3. Grasp the deck height adjustment lever and move it inwards to disengage it from the detent.
4. Move the deck height adjustment lever downward and upward, and engage it into the detent when it arrives at the desired cutting height.



5.1.2 REAR DISCHARGE CHUTE

The product is equipped with the rear discharge chute to collect the grass clippings and discharge them to the back of the product.

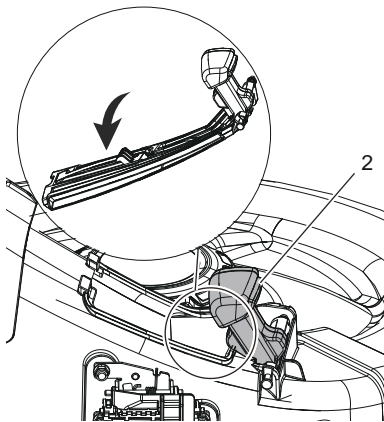
- Pull the tab backward (1) at the front side of the outlet plate to remove the plate, exposing the a baffle plate inside the chute.



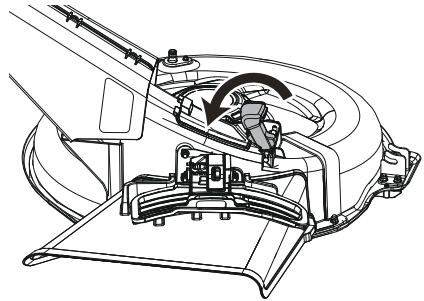
- The baffle plate is used to block or unblock the rear discharge chute. If the handle is in the forward position, the chute is open for discharging grass clippings to the back of the product.

Note: When the knob handle is in forward position, do not install the side discharge chute and keep the side discharge door closed.

- Press the release button (2) on the knob handle to pull the handle backward, the baffle plate will tilt down to block the rear discharge chute.

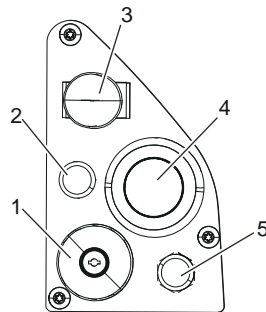


Note: When the knob handle is in rearward position, install the side discharge chute for side-discharging.



Note: Clear grass blockage by opening the outlet plate while side discharging.

5.1.3 CONTROL PANEL



1. Ignition Switch: This switch is used to turn the mower on and off. The start key must be inserted before the switch can be operated.

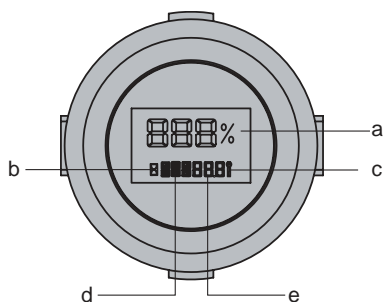
2. Reverse Mowing Button: Push to cut grass while going in reverse.

3. Pull-to-Operate (PTO) Switch: The PTO switch engages and disengages the mower blades. Pull UP on the switch to engage, and push DOWN to disengage.

▲ CAUTION

Do not engage PTO switch when the deck is under load. Failure to do so may damage the motor and/or deck.

4. Digital Display Screen: This digital display screen shows important electrical system information.



#	Symbol	Meaning
a		Battery level
b		Working hours indicator
c		Check controller, battery, or motor
d		Error details/ Product status: Drive (D), Neutral (N), Reverse (R) and Reverse mowing (RM)
e		Error code/ Total working hours

5. Low Speed Button: Press this button to switch the driving speed from 4.5 mph to 2.5 mph in mowing mode.

6 ELECTRICAL SYSTEM

6.1 ELECTRICAL SYSTEM SAFETY

To reduce the risk of serious personal injury from fire or electric shock when working on the electrical system:

- Always remove the start key and batteries, and read operator manual before working on this product.
- Always remove the start key and batteries when transporting the product.
- Keep the product free of grass clippings, leaves and other debris. DO NOT use water to clean the product. Use only compressed air. Wear adequate eye and hearing protection when cleaning the product.
- Always wear protective gear (safety glasses, face shield and gloves) when working with the battery. Use insulated tools.
- Clean the product of all dirt and debris. Do not use solvents, hard cleaners or abrasives.
- Keep the area clear of bystanders when engaging the PTO switch.
- Never allow flames, sparks or smoking near the product or batteries.
- Keep the product and batteries out of reach of children.

- Always keep protective shields, covers and guards in place and securely fastened. If they become damaged, repair or replace immediately. Never modify or remove safety devices.

6.2 ELECTRICAL SYSTEM INFORMATION

The product is powered by a 60-volt / 80-volt electrical system. It consists of the following components:

1. Blade and drive controller (1)
2. Blade motor (1)
3. Accelerator (1)
4. Digital display (1)
5. Wheel motor (1)
6. Battery compartment (2)
7. Headlights (2)

7 OPERATION

This section describes how to operate the product.

▲ WARNING

CAREFULLY READ AND UNDERSTAND THE SAFETY CHAPTER AND OPERATION INSTRUCTIONS BEFORE YOU OPERATE THE PRODUCT.

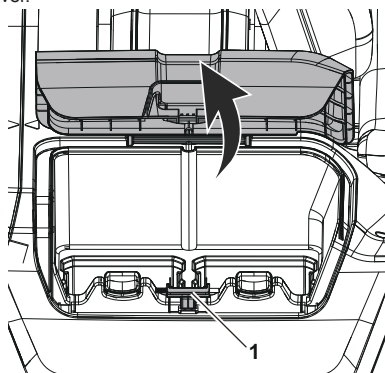
7.1 BEFORE OPERATION

7.1.1 CONNECT THE BATTERIES TO THE PRODUCT

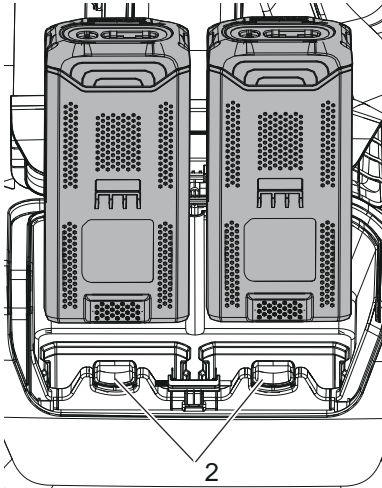
▲ WARNING

Only use genuine Greenworks batteries with the product.

1. Make sure that the batteries are fully charged.
2. Press the release button (1) to open the battery cover.



- Push the batteries into the battery compartment. The battery locks into position when you hear a click.



▲ CAUTION

If the battery does not move easily into the battery compartment, the battery is not installed correctly. This can cause damage to the product.

Note: Press the battery release button (2) to remove each battery.

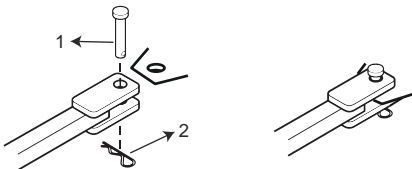
7.1.2 REAR TRAILER HITCH

▲ WARNING

Towing loads can be risky, especially on slopes.

- Max total weight (trailer & load) should not exceed 300 lbs (136 kg).
- Max tongue weight should be under 45 lbs (20.2 kg).
- Avoid slopes over 10 degrees.
- Slow down and be cautious on slopes.
- Do not tow with a grass catcher.

Secure the trailer using the appropriate clevis pin (1) and R pin (2).



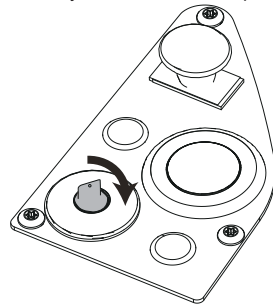
Excessive towed loads affect traction and control on slopes. Lighten the load on slopes. Surface conditions

impact traction and stability. Wet or slippery surfaces reduce traction, impacting stopping and turning. Evaluate the terrain before using the unit and trailer, avoiding slopes steeper than 10 degrees.

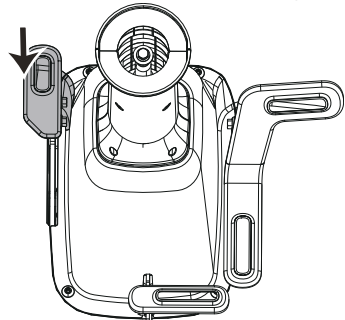
7.2 START THE PRODUCT

Note: Clear the area of bystanders before operating the mower. If anyone enters the mowing area, stop immediately and do not return to mowing until the bystanders leave the area.

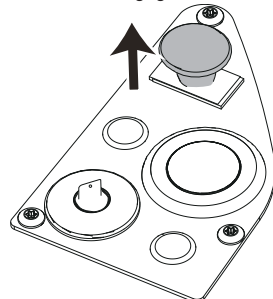
- Raise the mower deck to its highest position. See **Deck Height Adjustment Lever** (Reference 5.1.1) under **Features and Controls**.
- Insert the start key and turn to the ON position.



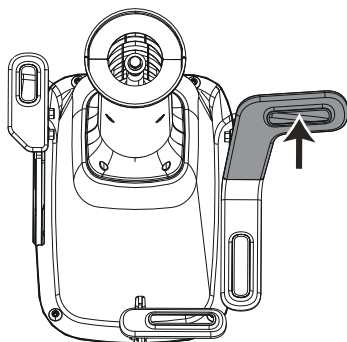
- Tap the brake pedal to release the parking brake.



- Pull the PTO switch to engage blades for mowing.



- Step on the accelerator pedal and begin mowing.



▲ WARNING

Do not depress the accelerator pedal when the parking brake or drive brake is engaged.

▲ WARNING

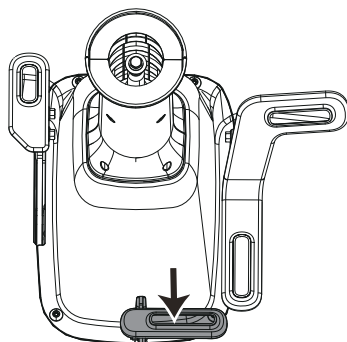
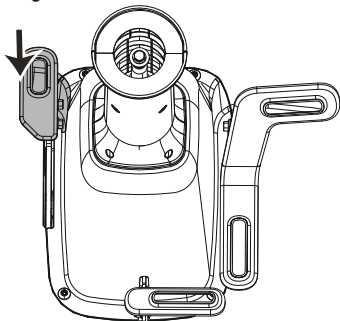
Use caution when crossing over gravel paths or driveways. Before crossing, disengage the blades and raise the cutting deck to the highest position to minimize the possibility of ricochet. Drive slowly to avoid loss of traction and control.

▲ CAUTION

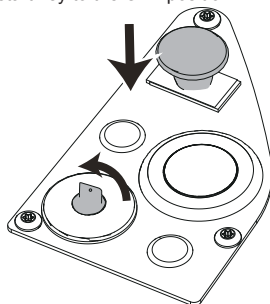
Do not attempt to change the driving direction (D/R) while the mower is in motion. Always come to a complete stop before changing the driving direction.

7.3 STOP THE PRODUCT

1. Stop the product on a flat, level surface.
2. Press the brake pedal to stop, then fully depress the parking brake pedal. Release the brake pedal, ensuring that the parking brake remains securely engaged. **Note:** Tap the brake pedal again to release the parking brake.

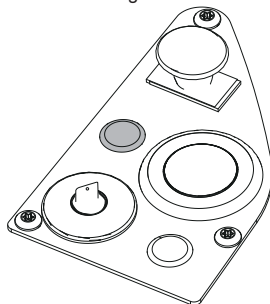


3. Push the PTO switch to disengage blades.
4. Turn the start key to the OFF position.

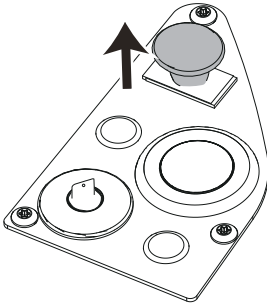


7.4 REVERSE MODE OPERATION

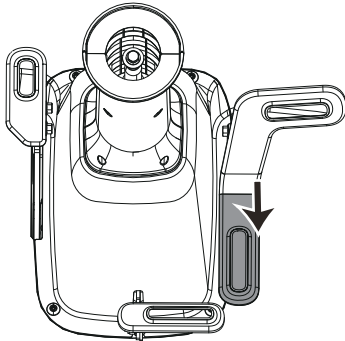
1. Press the reverse mowing button.



2. Pull the PTO switch to engage the blades.

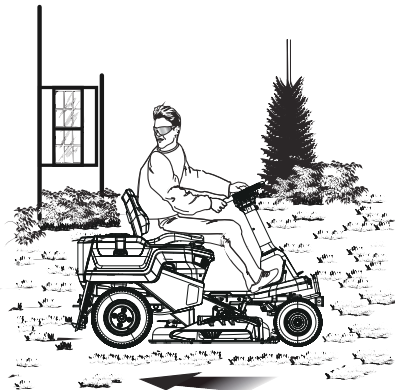


3. Use your heel to gently step on the reverse pedal to engage in reverse mowing as needed.



▲ WARNING

Do not mow in reverse unless absolutely necessary. Always look down, behind and to the side before changing directions or backing up. A careless action can cause inflict death or severe injury within a fraction of a second.

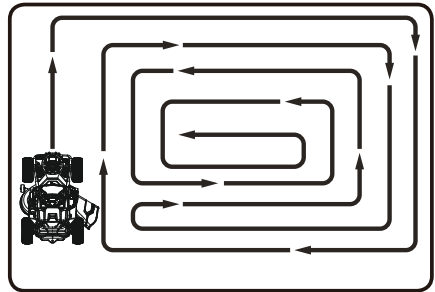


▲ WARNING

Exercise extreme caution before and when backing with the grass catcher kit (not provided) installed, as it may limit visibility. Always look closely behind and down for small children, bystanders, and pets and move the mower slowly to prevent accidents that can cause death or serious personal injury.

7.5 MOWING

Select a smooth, level area to mow. Be cautious of trees, fences, and slopes. Mow in straight lines, slightly overlapping. Occasionally change patterns to prevent flat spots. For a professional touch, mow across once and then go perpendicular on the next round.



When mowing expansive spaces, begin by turning towards the right to ensure that clippings are directed away from shrubs, fences, driveways, and other areas. After completing one or two rounds, mow in a back-and-forth pattern across the lawn, pivoting at the edges of the previously mowed grass.

7.6 MOWING PATTERNS

7.6.1 SIDE-DISCHARGING

Side-discharging is a mowing technique that efficiently processes a larger volume of grass in a single pass. This method involves expelling grass clippings to the side of the mower deck and dispersing them across the lawn. The side-discharge deck design allows for effective cutting even in high grass conditions, making it ideal for larger areas where expedited mowing is essential. For optimal mowing, set blade speed to the highest speed (if applicable). If the motor slows, reduce drive speed. Slower drive speed boosts blade efficiency and prevents cutting issues. Choose side-discharging mowing for 3-5 inch grass. Avoid cutting more than 1 inch at once.

7.6.2 MULCHING

Mulching offers versatile benefits, finely cutting grass and returning clippings to the soil. Remember, mulching works best on dry and moderate-height grass. For successful mulching, set the blade speed on the highest speed (if applicable) and match it with the slowest

driving speed. This ensures finely cut clippings. When mulching, drive at about half the speed used for broadcasting.

Optimal Clipping Length

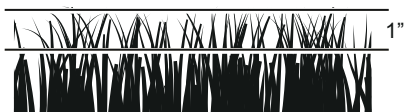
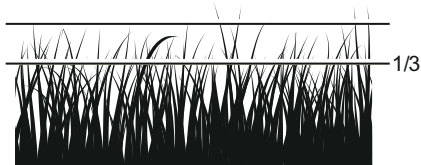
Ideal mulching trims just the top ½ - ¾ inch of grass, resulting in decomposing clippings. Experiment with cutting height based on your climate, season, and lawn thickness. As always, mow thoughtfully and consider your lawn's unique conditions for the best results.

7.7 MOWING RECOMMENDATIONS

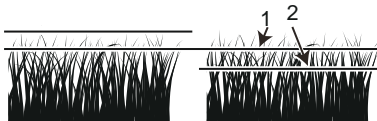
Multiple factors impact your mower's grass-cutting efficiency. Adhering to mowing guidelines enhances performance and longevity.

7.7.1 HEIGHT OF GRASS

Cutting height often depends on preference. Typically, mow when grass is 3-5 inches high. Proper height varies based on grass type, rainfall, temperature, and lawn health. Cutting too short weakens grass and makes it prone to damage by dry periods and pests. Slightly longer grass is less prone to damage. Longer growth in hot, dry conditions reduces heat stress, conserves moisture, and guards against damage. Keeping the grass too long leads to thin turf and problems. Don't cut too much at once; follow the 1/3 rule: trim a maximum of 1/3 and no more than 1 inch at a time.



Mowing capacity depends on your chosen mowing system. Broadcasting with side discharge decks handles more grass than mulching. Tall grass needs gradual cutting. For very tall grass, begin with max height (1), then lower it for the second (2) or third pass. Avoid leaving excessive clippings on top of the grass. Consider a grass collection system or composting. Remember, different systems are suited to different situations.



7.7.2 WHEN AND HOW OFTEN TO MOW

The timing and grass condition significantly influence mowing outcomes. Follow these guidelines for best results:

- Mow when grass height is between three to five inches.
- Use sharp blades for precision. Short clippings under one inch decompose faster, and sharp blades prevent frayed edges.
- Choose a cool and dry time of day for mowing, like late afternoon or early evening.
- Avoid mowing after rain or heavy dew. Never mulch wet grass as it clumps beneath the mower deck and doesn't mulch effectively.

8 TRANSPORTATION

8.1 TRANSPORT THE MOWER

▲ CAUTION

Do not tow this mower, it may cause damage to the drive system.

▲ WARNING

Do not load mower on a trailer or truck using two separate ramps. Only use a full-width ramp that is at least one foot wider than the width of the rear wheels of the mower. The rear wheels could fall off the ramps or the unit could tip over injuring the operator or bystanders. Ensure the cutting deck is raised to the highest position so it does not get caught on the ramp.

1. Park the mower on a level surface.
2. Raise the cutting deck to the highest position.
3. Position and secure ramp to the trailer according to manufacturer's instructions.
4. Use a full-width loading ramp that is at least 1 ft. wider than the mower to reduce the risk of driving off the side of the ramp.
5. Slowly drive the mower onto the ramp and into the trailer.
6. After loading, lower mower deck completely.
7. Set the parking brake.
8. Secure the mower as needed using straps or cables to prevent movement during transport.

▲ WARNING

To avoid accidental starting or movement that could result in serious personal injury, always remove the start key and engage the parking brake when transporting the mower.

8.2 TRANSPORT THE LITHIUM-ION BATTERY

The US Department of Transportation and international transportation authorities require that lithium-ion battery be transported using special packaging and only be transported by carriers certified to haul them. In the US, you are allowed to transport a battery when it is installed on the mower as battery powered equipment, with some regulatory requirements. Contact the US Department of Transportation or the appropriate government body in your country for detailed regulations on transportation of your battery or the mower with the battery equipped. For detailed information on shipping a battery, contact your authorized Greenworks servicing dealer.

8.3 MOVING THE MOWER MANUALLY

To push the mower manually:

1. Disengage the mower blades and depress and hold the parking brake pedal, then fully depress the brake pedal to set the parking brake.
2. Turn the key to the OFF position. Remove the key, and wait for all moving parts to stop before leaving the operating position.
3. Release the parking brake.
4. Move the mower to the desired location.

▲ CAUTION

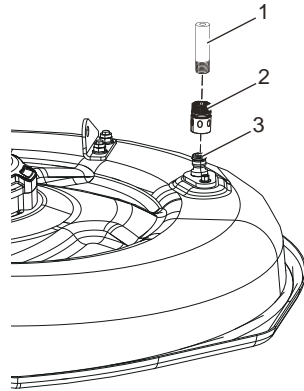
To avoid damage to the motor and drive system, do not move the product faster than 5 mph (8 km/h).

9 CLEAN AND STORAGE

9.1 CLEAN THE PRODUCT

- Remove any build-up of grass and leaves on or around the motor cover (Do not use water).
- Occasionally wipe the mower clean with a dry cloth.
- If debris builds up on the underside of the mower during use, stop the motor on level ground, disengage the PTO switch, set the parking brake, shut off the product, remove the start key and use the compressed air to clean the area.

9.2 CLEAN THE MOWER DECK



- Prepare the mower by parking it, setting the brake, and lowering the mower deck.
- Connect the hose (1) with quick-coupler (2) to the wash port (3), turn on the water, start the mower blades with increased speed, and flush under the deck for about one minute.
- Finish cleaning by disengaging the mower blades, turning off the water, and disconnecting the hose.
- Store the quick-coupler for future use.
- Shut down the mower completely.

9.3 STORE THE PRODUCT

The following steps should be taken in order to prepare the product for storage.

- **Clean the Mower:** Before storing the product, thoroughly clean it as outlined in the previous section.
- **Blade Inspection and Maintenance:** Inspect the blades and replace them as detailed in the **Service the Mower Blades** (Reference 10.7) section if needed.
- **Avoid Corrosive Materials:** Keep the mower away from corrosive substances, such as fertilizer or rock salt, as these can lead to rust and corrosion on metal components like the blade, deck, motor, and frame. Keep the mower and its battery away from conductive or corrosive materials to reduce the risk of short circuit, fire, explosion and other electrical hazards.
- **Children Safety:** Store the product in a location inaccessible to children to prevent accidents.
- **Proper Covering:** Do not cover the product with a solid plastic sheet. Plastic coverings can trap moisture, which causes rust and corrosion.
- **Check for Wear and Tear:** Thoroughly inspect the mower for any worn or damaged parts that may require replacement.

- **Tire Maintenance:** Avoid deflating the tires during storage.
- **Storage Environment:** Store the product in a well-ventilated, clean, and dry area. Note that the battery charger cannot be used in a wet environment.
- **Charging Process:** Refer to the **Charging** (Reference 10.3) section and also the Battery

Charger Manual for comprehensive instructions on using the charger and effectively charging the battery.

By adhering to these guidelines, you can help increase the longevity of your mower during periods of storage.

10 MAINTENANCE

10.1 MAINTENANCE SAFETY

- Specific steps must be taken in order to perform service and maintenance procedures safely.
- Read and follow all the applicable safety and instructional messages in this manual.
- Always disengage the mower blades, set the parking brake, shut the mower off, remove the start key, remove the batteries and wait for all movement to stop prior to performing service and maintenance procedures.
- Wear appropriate personal protective equipment such as safety shoes, safety glasses, gloves and ear protection. Long hair, loose clothing or jewelry may get tangled in moving parts. Secure hair above shoulder level before starting work.
- Use of parts that are not authorized or approved by Greenworks may cause serious or fatal injury or property damage.

10.2 BATTERY MAINTENANCE

The mower is powered by Lithium-Ion batteries which, when maintained properly, will provide years of useful life. For proper care, adhere to the following instructions:

- Always charge battery after each use. Over-discharge will shorten battery life and risk permanent damage. If a full charging cycle is not possible immediately after cutting, a 5-10 minute cycle will help maintain battery health. Fully re-charge the battery within 24 hours after use. To maintain proper calibration, run and charge the mower at least once a month. Complete a full charge every six months.
- Keep grass, dirt and debris from collecting in battery area.
- Charge battery in an enclosed, dry area away from sparks and flames. Never expose charger to rain, water vapor or other liquids.
- Do not touch uninsulated portion of charger (terminal pins) or output connector.
- Do not use charger if cords are damaged.
- Please refer to the Battery Manual for more information of batteries.
- To maximize battery lifespan, make sure to fully charge the battery after each use. This is especially crucial when temperatures drop below 32°F (0°C).

10.2.1 ROUTINE MAINTENANCE

Routine maintenance should include cleaning and inspection.

- During the battery charging process:
 - Make sure the charging plug connects securely and fully in the socket;
 - Make sure the charger operates without faults;
 - Address any faults and have them repaired before charging.
- During the operation of the mower and when charging the battery, keep the charging port away from water and other conductive materials. Never charge when the mower is wet.
- Charging time will depend on a number of factors, including battery health, ambient temperatures and other factors. Monitor the battery for abnormal performance or behavior.

10.3 CHARGING

10.3.1 CHARGE THE BATTERY

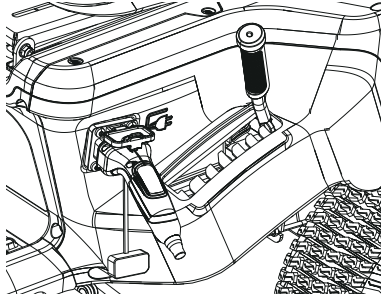
The batteries can be charged separately with specific charger (not provided).

Refer to the Battery Manual for more charging information of the batteries.

10.3.2 CHARGE THE PRODUCT

Open the port cover to charge and close the cover once the charging is finished to reduce the risk of electric shock.

1. Open the port cover from the battery charging port on the mower.
2. Plug the charger into the battery charging port.
3. Plug the charger into a power outlet.
4. When the mower is charging, the digital display will show the battery percentage.



▲ WARNING

See the Charger Manual for warnings and instructions for charging. Read and understand all its safety warnings and instructions. Failure to follow them may result in electrical shock, fire and/or serious injury.

▲ WARNING

To reduce the risk of fire and explosion, keep open flames and sparks away from the mower and its battery. Ensure proper ventilation around the mower while charging.

Charging recommendations:

- The battery does not need to be fully discharged before recharging. To maintain proper state of charge calibration, run and charge the mower at least once a month. Complete a full charge every six months.
- A battery left uncharged will slowly discharge. Before initial use each spring season, be sure battery has a full charge before mowing.
- Check the battery every six months and charge the battery if the power level is below 50%.
- When the battery capacity is lower than 5%, the working blades will stop automatically. The max driving speed will be 2.5 mph. The product should be charged immediately.

10.4 RECOMMENDED MAINTENANCE SCHEDULES

Maintenance Service Interval	Maintenance Procedure
Before each use or daily	<ul style="list-style-type: none"> Inspect the blades. Check the tire pressure. Check the contacts of switches and brakes. Check for frayed and deteriorated insulations. Clean under the cutting deck. Clean the area under the operator's seat and near the battery. Remove all grass clippings, leaves, and debris from the product before starting work.
Before storage	<ul style="list-style-type: none"> Remove the battery and key fob from the product. Perform all maintenance procedures and thoroughly clean the product. Inspect the entire product for damaged, missing, or loose parts, replace or tighten the corresponding ones before storage. Paint chipped surfaces.
After the first 100 hours	<ul style="list-style-type: none"> Check the wheel-lug nuts.

10.5 CHECK TIRE PRESSURE

For even mowing, it is crucial that all tires maintain the correct air pressure. Refer to the table below for the recommended pressures.

Note: Measure or adjust tire pressure only when the tires are cold or haven't been recently driven.

Drive wheels	14 psi
Front wheels	40 psi

Note: Inspect the tires daily. Replace immediately if damaged.

▲ WARNING

Check the tire pressure carefully while inflating. Overinflating the tire may lead to a burst, resulting in severe personal injury.

10.6 TORQUE VALUES

▲ WARNING

Particular attention must be given to tightening the drive wheel lug nuts and blade spindle bolts. Failure to correctly torque these items may result in the loss of a wheel or blade, which can cause serious damage and/or personal injury.

Torque values are given below:

Part	Ft-lbs.	N.m
Wheel lug nuts	66-73	90-100
Blade spindle bolts	115-118	155-160

Wheel lug nuts only: It is recommended that these be checked after the first 2 hours of operation initially, then every 100 hours and following removal for repair or replacement.

10.7 SERVICE THE MOWER BLADES

10.7.1 MOWER BLADE MAINTENANCE

Inspect the mower blades on a daily basis. They are crucial for power efficiency and optimal mowing. Ensure they are sharp, as a dull blade can cause tearing instead of cutting, resulting in a brown and ragged appearance on the

grass within a few hours. Additionally, a dull blade requires more power. Replace any blades that are bent, cracked, or broken.

▲ WARNING

Never attempt to straighten a bent blade by heating, or weld a cracked or broken blade as the blade may break and cause serious injury. Replace worn or damaged blades.

▲ WARNING

Never work with blades while the start key is in the ignition switch. Turn the start key to "OFF" position, remove the batteries from the product. Support the mower with certified jack stands when working beneath it. Wear gloves when handling blades. Always check for blade damage if mower strikes a rock, branch or other foreign objects!

- The blade sail (curved part) must be pointing upward toward the inside of the deck to ensure proper cutting.
- Rotate blades after installation to prevent blade tips from touching each other or the sides of the mower.
- Ensure correct torque on the bolt to prevent potential blade loss, which may result in serious injury.
- Mower blades are sharp and capable of cutting. Always wear gloves and exercise extra caution during servicing.

10.7.2 REMOVE THE BLADES

▲ WARNING

Mower blades are sharp. Always wear gloves when handling or working near mower blades.

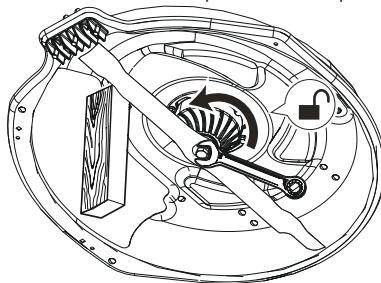
1. Park the mower on a flat level surface, set the parking brake. Shut off the mower, remove the key and remove the batteries from the product.
2. Raise the height of the cutting deck to its highest position to allow access to blades.

Note: If necessary, lift the mower using a certified lift, jack, and jack stands, or remove the cutting deck to reach the blades. Ensure that the jack stands prevent product from moving. Use only certified jack stands in pairs and adhere to the manufacturer's instructions.

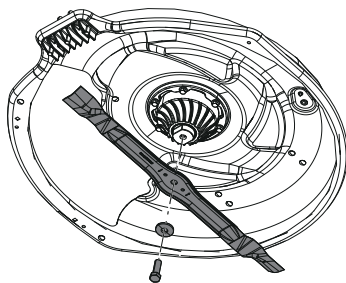
▲ WARNING

If raising the mower to access the blades, make sure the mower is properly secured and the parking brake is set before proceeding. Failure to properly secure the mower could cause it to fall, resulting in death or serious personal injury.

3. Place a block of wood between the blade and the deck to prevent it from spinning while you work.



4. Loosen the blade nut by turning it counterclockwise (as viewed from bottom of mower) using a 24 mm wrench or socket (not provided).
5. Remove the blade bolt, spacer, blade, and blade support.



10.7.3 INSPECT THE MOWER BLADES

A worn or damaged mower blade has the potential to break, leading to fragments being propelled into the operator's or bystander's area, causing severe personal harm or death. Inspect it before each use. Halt operation if the mower hits an object and inspect for damage.

▲ WARNING

Mower blades are sharp. Always wear gloves when handling or working near mower blades.

- Remove the mower blade from the mower. See **Remove the Blades** (Reference 10.7.2).
- Inspect the mower blades to assess whether they are blunt and require sharpening or display signs of damage and should be replaced. Blades showing cracks, corrosion, rust, excessive wear or bending should be discarded.

10.7.4 INSTALL THE BLADES

▲ WARNING

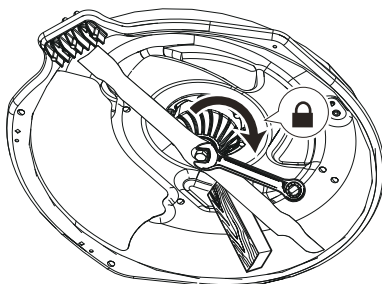
Mower blades are sharp. Always wear gloves when handling or working near mower blades.

1. Install the new blades following the specified sequence: blade support, blade, spacer, and blade bolt. Ensure that the blade sail (curved part) is pointing upward toward the inside of the deck.

▲ WARNING

Incorrect orientation of the blades can damage the cutting deck and impact the mower's stability which can affect operator's safety.

2. Securely tighten the blade bolts by rotating clockwise with a 24 mm socket or wrench. Torque to 115 -118 Ft-lbs (155-160 N.m).



▲ WARNING

Incorrect orientation of the blades can damage the cutting deck and impact the mower's stability which can affect operator's safety.

Note: Make certain all parts are replaced in the exact order in which they were removed.

11 TROUBLESHOOTING

PROBLEM	POSSIBLE CAUSE	CORRECTIVE ACTION
Product won't move.	There is no battery installed in the battery compartment or the battery is not an official Greenworks battery.	Use only official Greenworks battery (or batteries). At least one is required for operation.
	Battery is not charged.	Charge the battery.
	No one is sitting on the seat or the operator presence switch is not functioning properly.	Make sure the driver is sitting on the seat or ensure that the cable connector is properly plugged to the seat plug.
	The parking brake is engaged.	Make sure you fully disengage the parking brake, so the wheels can rotate freely.
	The battery compartment is in dormant state.	Turn the start key to the OFF position and wait for more than 5 seconds before restarting the product.
Product suddenly stops during driving	Battery is not charged.	Use only official Greenworks battery (batteries). At least one fully-charged battery is required for operation.
	Riding on rough and uneven road conditions cause the operator presence switch to disconnect.	Engage the parking brake, make sure the cable connector is securely attached to the seat plug located under the seat, then restart the product.
	Accelerator pedal failure.	Contact Greenworks after-sales service center.
	Drive controller failure.	Contact Greenworks after-sales service center.
The blade does not operate after pulling the PTO switch.	There is no battery installed in the battery compartment or the battery is not an official Greenworks battery.	Use only official Greenworks battery (batteries). At least one fully-charged battery is required for operation.
	The battery power is lower than 5%.	Check the battery power, if the battery power is low, charge the battery.
	The operator presence switch is not functioning properly.	Ensure the driver is sitting on the seat.
	The blade switch (PTO) is not in the correct position before powering on.	Push the PTO and pull it up again.
	Blade motor blockage or other functional protection.	Make sure there are no weeds or foreign objects at the connection point between the blade and the motor. It is recommended to raise the deck and start the blade to ensure normal operation before adjusting the deck height.
	Drive controller is malfunctioning.	Check the error code on display. Contact Greenworks after-sales service center.
The blade stops when mowing grass.	Blade controller is malfunctioning.	Check the error code on display. Contact Greenworks after-sales service center.
	Blade motor overload.	Clean the inside of the deck, make sure there is no abnormal blade rotation, press the PTO switch, restart the product and reduce the blade load, either by raising the deck or reducing the driving speed.
	Battery temperature is too high.	Do not use the product immediately after charging, otherwise it may trigger the battery temperature protection error.
	The battery power is lower than 5%.	Charge the battery.

PROBLEM	POSSIBLE CAUSE	CORRECTIVE ACTION
	The blade is hit by a foreign object, causing a sudden stop.	Turn the start key to the OFF position and wait for more than 5 seconds before restarting the product.
	Drive controller is malfunctioning.	Check the error code on display. Contact Greenworks after-sales service center.
The mower cuts the grass unevenly, and the height difference is very large.	The blade is blunt.	Sharpen the blades.
	Blade is bent.	Replace the blade according to the manual instructions, and wear protective gear.
	Uneven deck.	Level the deck.
The actual mowing height does not match the marked mowing height chosen.	Deck mounting bolts are loose.	Securely tighten deck mounting bolts. Note: The deck needs to be re-leveled after adjusting the mounting bolts.
	The deck is seriously worn or damaged.	Replace the deck.
Abnormal product shredding	The grass is too wet.	Wait until grass is dry.
	The grass is too tall/dense.	Raise the deck and cut grass with multiple passes, adjusting the height accordingly.
Excessive product vibration	Blade bolts are loose.	Tighten the blade.
	Blade is bent.	Replace the bent blade according to the manual instructions, and wear protective gloves.
	Uneven deck.	Level the deck.
	Deck mounting bolts are loose.	Securely tighten deck mounting bolts. Note: The deck needs to be re-leveled after adjusting the mounting bolts.
	The grass is too tall/dense.	If the grass is too dense and high, please raise the deck, try to avoid cutting heavy grass.
Grass leaves or debris left on the ground after mowing.	The grass is too tall/dense.	Raise the deck and cut grass with multiple passes, adjusting the height accordingly.
	The grass is too wet.	Wait until grass is dry.
	Driving speed is too high.	Lower the driving speed.
	Blade cutting speed is too low.	Increase the blade speed (if applicable).
Short mowing duration	Grass is too tall/dense.	Raising the deck or decrease blade speed (if applicable) to increase the mower's usage time on one charge.
Mower runaway	Different tire pressure	Check the rear tire pressure of the mower regularly according to the manual instructions.
Product won't start after washing.	Improper cleaning, leading to water entering: the digital display screen, battery compartment, and/or other electronic components.	<ol style="list-style-type: none"> 1. Follow the instructions to clean the product. 2. If the product is accidentally drenched, store the product in a dry place for 12 hours or blow dry before restarting. 3. Contact Greenworks after-sales service center if the problem persists.
The mower is blocked.	Weeds and debris build up on the deck.	Follow the instructions to clean the product after each use.
Product with parking brake slides on slope.	Severe tire wear.	Contact the Greenworks after-sales service center to replace the tires.
	The parking brake is damaged or terribly worn.	Contact the Greenworks after-sales service center to replace the parking brake.

PROBLEM	POSSIBLE CAUSE	CORRECTIVE ACTION
	The parking brake is manually released.	Check the parking brake and reset it to the initial position. Contact Greenworks after-sales service center if the problem persists.
Poor front wheel steering	Check for foreign objects stuck in the gear mesh.	Clear foreign objects.
	Lack of lubrication.	Add lubrication.
	Check steering head, joint bearing parts for damage or deformation.	Replacing damaged parts or contact Greenworks after-sales service center.
Drive Axle Mal-function	Gear oil leaks.	Contact Greenworks after-sales service center.
	Wheel hub heat	
	Unusual noises	
Failure of front wheel steering	The meshing gear set is worn from long time use.	Replacing the meshing gear set.
	Steering head, knuckle bearing bolts loose.	Check for loose steering tie rod lock nuts. Contact Greenworks after-sales service center to tighten.

12 TECHNICAL DATA

Model No.	CRT306	CRT308 (7426902)	CRT308 (7427802)
Voltage	60 V	80 V	80 V
Length	64.8 inch/164.7 cm		
Height	41.7 inch/106 cm		
Width (with discharge)	43 inch/109 cm		
Deck width	43 inch/109 cm		
Driving speed	6 mph		
Mowing	Forward speed	2.5/4.5 mph	
	Reverse speed	2.5 mph	
Blade speed	2300 rpm		
No load speed	2300 rpm		
Charging time	3 h (with 600 W charger)	3 h (with 600 W charger)	3 h (with 600 W charger)
Charger model	CV30KWC and other CAC series	CAB80012 and other CAB series	CAB80012 and other CAB series
Battery model	LB6081, LB6042 and other BAC series	BAB742 and other BAB series	BAB742, BAB743 and other BAB series

The recommended charger and battery pack condition:

Product storage temperature	32 °F ~ 95 °F (0 °C ~ 35 °C)	
Product operation temperature	7 °F ~ 104 °F (-14 °C ~ 40 °C)	
Battery pack storage temperature	less than 1 month	32 °F ~ 122 °F (0 °C ~ 50 °C)
	less than 3 months	32 °F ~ 104 °F (0 °C ~ 40 °C)
	more than 3 months	32 °F ~ 68 °F (0 °C ~ 20 °C)
Charger operation temperature	32 °F ~ 104 °F (0 °C ~ 40 °C)	
Battery pack charging temperature	32 °F ~ 104 °F (0 °C ~ 40 °C)	
Battery pack discharging temperature	7 °F ~ 104 °F (-14 °C ~ 40 °C)	

13 WARRANTY

Greenworks hereby warrants this product, to the original purchaser with proof of purchase, for a period of four (4) years or 200 hours of use (whichever comes first) against defects in materials, parts or workmanship. Greenworks, at its own discretion, will repair or replace any and all parts found to be defective, through normal use, free of charge to the customer. This warranty is valid only for units which have been used for personal use that have not been hired or rented for industrial/commercial use, and that have been maintained in accordance with the instructions in the owners' manual supplied with the product from new.

13.1 ITEMS NOT COVERED BY WARRANTY

1. Any that have been transferred to a new owner. This warranty only applies to the original purchaser from an authorized Greenworks retailer or dealer. This warranty is nontransferable.
2. Any part that has become inoperative due to misuse, rental use, commercial use, abuse, neglect, accident, improper maintenance, product modification, unauthorized repair or alteration; or
3. If item has not been operated and/or maintained in accordance with the owner's manual; or
4. Normal wear.
5. Routine maintenance parts or service include, but are not limited to: lubricants, mower seat wear, blade sharpening, wheels, tires, anti-scalp wheels, blades as well as any optional accessories or attachments.

6. Normal deterioration of the exterior finish due to use or exposure.
7. Damage or failure resulting from, but not solely: immersion in water or other liquids, accidents, misuse, neglect or lack of proper installation, and proper maintenance and storage.
8. An item that has not been registered on an authorized Greenworks website (see REGISTRATION info with QR code or product page info for proper product registration).

13.2 HELPLINE

Warranty service is available by calling our toll-free helpline, at 1-855-345-3934.

13.3 TRANSPORTATION CHARGES

Transportation charges for the movement of any power equipment unit or attachment are the responsibility of the purchaser. It is the purchaser's responsibility to pay transportation charges for any part submitted for replacement under this warranty unless such return is requested in writing by Greenworks.

USA address:

Greenworks Tools

P.O. Box 1238

Mooresville, NC 28115

Canadian address:

Greenworks Tools Canada Inc.

P.O. Box 93095, Newmarket, Ontario

L3Y 8K3

14 GREENWORKS PRODUCT REGISTRATION

NAME:			
ADDRESS:			
CITY :	STATE :	ZIP CODE :	COUNTRY :
HOME PHONE:		MOBILE PHONE:	
PURCHASE DATE:		PURCHASED FROM:	

15 SERIAL NUMBER(S)

Please list Serial Number(s) below along with Model Information:

DESCRIPTION	MODEL #	PART #	SERIAL #	DATE PURCHASED

16 ERRORS

The CANBUS system will take action to protect the user and product when it detects an issue. When it acts to turn off the product or a component, it will indicate that an error has occurred, and that error will be shown on the digital display. All electrical errors have a letter code followed by a number. The first letter describes the system that caused the error according to this chart:

Name	Meaning
T	Driver Controller and motor
PMU	Power management unit (in the battery compartment)
M	Blade controller and motor

16.1 ERROR CODE

Error Code	Description	Solution
T2	Drive motor stalled	Check if the drive wheels are stuck and restart the power supply.
T5	Motor encoder error	Check that the connector of drive controller is properly connected, and then restart the power supply.
T6	Controller phase loss	Check that motor cables of the drive controller are connected properly, and then restart the power supply.
T7	MOSFET open circuit error	If you encounter this issue, contact your distributor for a solution.
T8	Controller undervoltage	The voltage is too low. Charge the battery before use.
T9	Controller overvoltage	The voltage is too high. Restart the power supply.
T12	Motor overtemperature	The motor temperature is too high. Wait for the motor to cool down, and then restart the power supply.
T13	Controller overtemperature	The controller temperature is too high. Wait for the controller to cool down, and then restart the power supply.
T15	Hardware overcurrent	The load is too high. Restart the power supply.
T16	Accelerator error	Check that the accelerator of lever is connected properly, and then restart the power supply.
T19	Operating sequence error	Do not press the accelerator pedal when starting the product.
T23	Battery compartment (PMU) communication failure	Communication failure with battery compartment. Restart the power supply.
T24	Battery compartment (PMU) failure	Minor/major error in battery compartment. Perform a check and restart the power supply.
T31	Seat switch abnormal	Check that the connector under the seat is connected properly, and then restart the power supply.
T32	Software authentication error	Restart the power supply.
T63	Drive motor temperature sensor fault	Check if the 6-pin connector of the drive motor is properly connected. If the error is not cleared after restarting, please contact your distributor for a solution.
M2	Drive motor stalled	Check if the drive wheels are stuck and restart the power supply.
M3	Motor low speed protection	Restart the power supply.
M4	Motor overspeed protection	Restart the power supply.
M6	Controller phase loss	Check that motor cables of the drive controller are connected properly, and then restart the power supply.
M7	MOSFET open circuit error	If you encounter this issue, contact your distributor for a solution.
M8	Controller undervoltage	The voltage is too low. Charge the battery pack before use.
M9	Controller overvoltage	The voltage is too high. Restart the power supply.
M13	Controller overtemperature	The controller temperature is too high. Wait for the controller to cool down, and then restart the power supply.
M15	Hardware overcurrent	The load is too high. Restart the power supply.
M19	Operating sequence error	Please restore the blade switch to its initial position. Check that the grass-collecting switch is connected properly and if the grass catcher or rear cover is pressing down on the grass collection switch. Sit on the seat and try again.

Error Code	Description	Solution
M26	CAN timeout error - drive	Communication error with the drive controller. Restart the power supply.
M31	Blade switch signal abnormal	Check that the Blade switch is connected properly, and then return the switch to its initial position.
M33	Grass-collecting switch signal abnormal	Check that the Grass-collecting switch is connected properly.
PMU10	Open circuit in battery pack in PMU	Unconnected battery pack in battery compartment; product performance may be affected.
PMU1	Overcurrent-Level1	The PMU load is too high. The error will automatically resolve itself when the load drops.
PMU2	Overtemperature-Level1	The PMU temperature is too high. The error will automatically resolve itself when the temperature drops.
PMU3	Overtemperature in feedback module-Level1	The error will automatically resolve itself when the temperature drops.
PMU32	Overcurrent-Level2	The PMU load is too high. Restart the power supply.
PMU33	Hardware overcurrent	The PMU load is too high. Restart the power supply.
PMU34	Hardware overcurrent	Restart the power supply.
PMU35	Overtemperature-Level2	The PMU temperature is too high. Wait until the temperature drops, then restart the power supply.
PMU36	Undervoltage	The voltage is too low. Charge the battery pack and try again.
PMU37	Overvoltage	The voltage is too high. Restart the power supply.
PMU38	Power supply output failure	Restart the power supply.
PMU39	Overtemperature in feedback module-Level2	Wait until the temperature drops, then restart the power supply.
PMU40	Power resistor overtemperature in feedback module	Wait until the temperature drops, then restart the power supply.
PMU41	No battery pack available	Check that you are using the correct battery pack, and then restart the power supply.
PMU42	Battery pack low temperature	Ensure that the ambient temperature is above 0 degrees Celsius.
PMU43	Battery pack communication error	Replace the battery pack.
PMU44	Microcontroller self-test error	Restart the power supply and contact your distributor for a solution.
PMU45	Battery pack high temperature	Wait until the temperature drops, then restart the power supply.
PMU46	Power circuit error	Contact your distributor for a solution.
PMU47	Pre-charge error	Restart the power supply and contact your distributor for a solution.
PMU48	Pre-charge hardware error	Contact your distributor for a solution.
PMU49	Negative MOS temperature sensing error	Contact your distributor for a solution.
PMU50	Feedback MOS temperature sensing error	Contact your distributor for a solution.
PMU51	Driver voltage error in feedback module	Contact your distributor for a solution.
PMU52	Current sensor error	Contact your distributor for a solution.

Error Code	Description	Solution
PMU53	Power resistor driver error in feedback module	Contact your distributor for a solution.
PMU54	Busbar current BIAS	Contact your distributor for a solution.
PMU55	CAN hardware error	Contact your distributor for a solution.
PMU56	Other error	Restart the power supply.
PMU57	KSI Pre-MOS error	Contact your distributor for a solution.
PMU58	Flip cover error	Restart and check the seat switch connector.
PMU59	KSI MOS error	Contact your distributor for a solution.
PMU61	1# Battery pack does not match	Please select the right battery pack.
PMU62	2# Battery pack does not match	Please select the right battery pack.
PMU65	5# Battery pack does not match	Please select the right battery pack.
PMU66	6# Battery pack does not match	Please select the right battery pack.
PMU67	Abnormal charging status	Check if the charging socket is properly connected or check if the charger input plug is properly inserted.

1 INTRODUCTION

1.1 DESCRIPTION DU PRODUIT

Ce produit est une tondeuse autoportée sur batterie dotée de moteurs électriques.






Nous nous engageons à améliorer en continu nos produits et nous réservons donc le droit de modifier le design et l'apparence sans préavis.









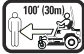


1.2 UTILISATION CONFORME

Le produit est pensé pour la tonte et l'entretien efficaces du gazon sur les pelouses résidentielles et les espaces extérieurs. Il n'est pas conçu pour une quelconque autre finalité.

1.3 SYMBOLES DE SÉCURITÉ SUR LE PRODUIT

Lisez les étiquettes de sécurité avant d'utiliser votre tondeuse à gazon. Les avertissements ont été développés pour votre sécurité. Vous devez comprendre et respecter tous les autocollants de sécurité afin de réduire le risque de blessure ou de dégâts matériels.

Symbole	Explication
IPX4	Protection contre les projections d'eau.
V	Voltage
kg	Poids
lb	Poids
n_0	Vitesse rotationnelle, à vide
	Indique un risque potentiel de blessure corporelle.
	Pour réduire les risques de blessures, l'utilisateur doit lire et comprendre le manuel d'opérateur avant d'utiliser ce produit.
	Portez un casque anti-bruit.
	Portez systématiquement des lunettes intégrales ou des lunettes de sécurité avec écrans latéraux et un écran facial intégral lorsque vous utilisez ce produit.
	N'ouvrez pas et ne retirez pas les protections de sécurité lorsque le produit est en marche.

Symbole	Explication
	Pour réduire les risques de blessures, éloignez les mains et les pieds des pièces en mouvement. Ne pas faire fonctionner à moins que le couvercle de décharge ou le sac d'herbe ne soit à sa place appropriée. S'il est endommagé, remplacez-le immédiatement.
	Une formation professionnelle est obligatoire avant d'utiliser le produit et d'en assurer la maintenance.
	Ne tondez pas lorsque des enfants ou d'autres personnes se trouvent à proximité.
	Ne transportez jamais d'enfants ou de personnes, même lorsque les lames sont éteintes.
	Regardez toujours vers le bas et derrière vous lorsque vous faites une marche arrière ou un demi-tour. Assurez-vous que les enfants, les passants et les animaux domestiques sont éloignés de la zone.
	Ne remorquez pas ce produit au risque d'endommager le système d'entraînement.
	Soyez très prudent sur les pentes. Ne tondez pas les pentes de plus de 15 degrés. Ne pas utiliser sur les pentes proches de l'eau libre.
	Retirez les objets qui peuvent être projetés par la lame dans n'importe quelle direction. Portez des lunettes de protection.
	Tenez tous les passants à une distance d'au moins 30 m (100 pi.).
	Ne marchez pas.
	ATTENTION --- Ne pas regarder fixement la lampe de fonctionnement.

FR 1.4 ÉLIMINATION DES BATTERIES SANS DANGER POUR L'ENVIRONNEMENT



Les matières toxiques et corrosives ci-dessous se trouvent dans les batteries utilisées dans ce produit : **Lithium-ion, une substance toxique.**

▲ AVERTISSEMENT

Éliminez toutes les substances toxiques d'une manière spécifiée afin de prévenir la contamination de l'environnement. Avant de jeter une batterie au Lithium-ion endommagée ou usée, contactez votre agence locale d'élimination des déchets ou l'agence locale de protection de l'environnement pour obtenir des informations et des instructions spécifiques. Apportez les batteries à un centre local de recyclage ou d'élimination certifié pour l'élimination de batteries au Lithium-ion.

▲ AVERTISSEMENT

Si la batterie se fend ou se brise, avec ou sans fuites, ne la rechargez pas et ne l'utilisez pas. Jetez-la et remplacez-la par une nouvelle batterie. **N'ESSAYEZ PAS DE LA RÉPARER !** Pour prévenir les blessures et les risques d'incendie, d'explosion ou de décharge électrique, et pour éviter tout dommage à l'environnement :

- Couvrez les bornes de la batterie avec du ruban adhésif résistant.
- NE PAS essayer d'enlever ou de détruire les composants de la batterie.
- NE PAS essayer d'ouvrir ou de réparer la batterie.
- En cas de fuite, les électrolytes rejetés sont corrosifs et toxiques. NE PAS laisser entrer la solution dans les yeux ou en contact avec la peau et ne l'avalez pas.
- NE PAS jeter vos batteries usagées dans votre poubelle à ordures ménagères.
- NE PAS incinérer les batteries.
- NE PAS les mettre dans un endroit où ils feront partie d'un site d'enfouissement de déchets ou d'un flux de déchets solides municipaux.
- Emmenez-les dans un centre de recyclage ou d'élimination certifié.

1.5 CALIFORNIA PROPOSITION 65

▲ AVERTISSEMENT

CE PRODUIT CONTIENT OU ÉMET UN PRODUIT CHIMIQUE CONNU DANS L'ÉTAT DE CALIFORNIE COMME ÉTANT UNE CAUSE DE CANCER, DE MALFORMATIONS CONGÉNITALES OU D'AUTRES PROBLÈMES DE REPRODUCTION.

2 SÉCURITÉ

2.1 DÉFINITIONS DE SÉCURITÉ

Les avertissements, précautions et notes mettent l'accent sur des parties spécialement importantes du manuel.

▲ AVERTISSEMENT

L'OPÉRATEUR OU LES BADAUDS SONT EXPOSÉS À UN RISQUE DE BLESSURES, PARFOIS MORTELLES, SI LES INSTRUCTIONS DU MANUEL NE SONT PAS RESPECTÉES.

▲ ATTENTION

LE PRODUIT, LE RESTE DU MATÉRIEL OU LA ZONE ADJACENTE EST EXPOSÉ À UN RISQUE DE DOMMAGES SI LES INSTRUCTIONS DU MANUEL NE SONT PAS RESPECTÉES.

Note : Pour un complément d'information nécessaire dans une situation donnée.

2.2 AVERTISSEMENTS GÉNÉRAUX DE SÉCURITÉ

▲ AVERTISSEMENT

Lisez tous les avertissements de sécurité et toutes les instructions, illustrations et spécifications accompagnant ce produit. *Le non-respect de ces instructions peut entraîner un choc électrique, un incendie et/ou des blessures graves.*

Conservez tous les avertissements et instructions pour référence ultérieure.

Le terme "produit" dans les avertissements fait référence à votre produit fonctionnant sur secteur (avec fil) ou sur BATTERIE (sans fil).

2.2.1 SÉCURITÉ DE LA ZONE DE TRAVAIL

- **Gardez la zone de travail propre et bien éclairée.** *Les endroits encombrés ou sombres favorisent les accidents.*
- **N'utilisez pas le produit dans des environnements explosifs, par exemple en présence de liquides, gaz ou poussières**

inflammables. *Le produit génère des étincelles qui peuvent enflammer la poussière ou les vapeurs.*

- **Maintenez les enfants et les badauds à l'écart lorsque vous utilisez le produit.** *Les distractions peuvent vous faire perdre le contrôle.*

2.2.2 SÉCURITÉ ÉLECTRIQUE

- **Les fiches du produit doivent correspondre à la prise. Ne modifiez jamais la prise d'aucune façon. N'utilisez pas de fiches adaptatrices avec des produits mis à la terre.** *Des prises non modifiées et leurs prises de courant respectives réduisent les risques de choc électrique.*
- **Évitez que le corps n'entre en contact avec des surfaces mises à la terre comme les tuyaux, les radiateurs, les cuisinières et les réfrigérateurs.** *Il y a un risque accru de choc électrique si votre corps est en contact avec la terre.*
- **N'exposez pas le produit à la pluie ou à des conditions humides.** *L'eau qui pénètre dans un produit augmente le risque de décharge électrique.*
- **N'abusez pas du cordon. N'utilisez jamais le cordon pour porter, tirer ou débrancher le produit.** *Éloignez le cordon de la chaleur, de l'huile, des bords tranchants ou des pièces mobiles.* *Les cordons endommagés augmentent le risque d'un choc électrique.*
- **Lorsque vous le produit en extérieur, employez une rallonge de câble adaptée à l'usage en extérieur.** *Utiliser un câble adapté à un usage en extérieur réduit le risque de choc électrique.*
- **Si vous ne pouvez éviter d'utiliser un produit dans un environnement humide, employez une alimentation protégée par un dispositif de courant résiduel (DCR).** *Le respect de cette règle réduira le risque de chocs électriques.*
- **Ne nettoyez pas le produit avec l'eau d'un tuyau d'arrosage ou un nettoyeur haute-pression.** *L'eau qui pénètre dans un produit augmente le risque de décharge électrique.*
- **N'utilisez pas le produit sous la pluie.** *L'eau qui pénètre dans un produit augmente le risque de décharge électrique.*

2.2.3 SÉCURITÉS DES PERSONNES

- **Restez vigilant, soyez attentif à ce que vous faites et faites preuve de bon sens lorsque vous utilisez le produit. N'utilisez pas le produit lorsque vous êtes fatigué, sous l'emprise de l'alcool ou de drogues, voire après avoir pris des médicaments.** *Un moment d'inattention lors de l'utilisation du produit peut causer des blessures graves.*
- **Utilisez de l'équipement de protection individuelle. Portez toujours des lunettes de protection.** *L'utilisation d'équipement de protection adapté aux conditions masque antipoussière, chaussures de sécurité antidérapantes, casque et*

protections auditives, etc. permet de réduire les risques de blessures corporelles.

- **Évitez tout démarrage accidentel. Assurez-vous que l'interrupteur est en position d'arrêt avant de connecter l'outil à la source d'alimentation ou au bloc-batterie et quand vous soulevez ou transportez le produit.** *Le transport des outils électriques avec votre doigt sur l'interrupteur ou la mise sous tension des outils électriques dont l'interrupteur est sur marche est une invitation aux accidents.*
- **Retirez la clé d'ajustement avant d'allumer le produit.** *Une clé restée sur une pièce rotative du produit peut causer des blessures.*
- **Ne vous penchez pas trop en avant. Gardez un bon équilibre en tout temps.** *Vous maîtrisez ainsi mieux le produit dans des situations inattendues.*
- **Habilitez-vous correctement. Ne portez pas de vêtements amples ou de bijoux. Maintenez vos cheveux et vêtements à l'écart des pièces en mouvement.** *Les vêtements amples, les bijoux et les cheveux longs peuvent se prendre dans les pièces en mouvement.*
- **Si un appareil est conçu pour être utilisé avec des dispositifs d'extraction et de récupération des poussières, veillez à ce que ces dispositifs soient bien raccordés et correctement utilisés.** *L'utilisation de dispositifs de récupération des poussières permet de réduire les risques liés aux poussières.*
- **Ne laissez pas l'habitude des fréquentes utilisations vous faire oublier et ignorer les principes de sécurité.** *Une action négligente peut provoquer de graves blessures en une fraction de seconde.*

2.2.4 USAGE ET ENTRETIEN DU PRODUIT

- **Ne forcez pas sur le produit. Utilisez le produit correct pour votre application.** *Le produit correct fera mieux le travail en toute sécurité au rythme pour lequel il a été conçu.*
- **N'utilisez pas le produit si l'interrupteur ne le met pas sous et hors tension.** *Tout produit qui ne peut pas être contrôlé avec l'interrupteur est dangereux et doit être réparé.*
- **Déconnectez la prise de la source d'alimentation ou retirez du produit le bloc-batterie, s'il est amovible, avant d'effectuer des ajustements, de changer d'accessoire ou de ranger le produit.** *Ces mesures de sécurité préventives réduisent le risque de démarrage accidentel du produit.*
- **Rangez le produit à l'arrêt hors de portée des enfants et ne laissez pas quiconque qui ne serait pas familiarisé avec le produit ou ces instructions l'utiliser.** *Un produit est dangereux entre les mains d'utilisateurs non formés.*
- **Entretien du produit et des accessoires. Vérifiez qu'aucune pièce mobile n'est mal alignée ou**

grippée et qu'aucune pièce n'est cassée et soyez attentif à toute autre condition pouvant affecter le fonctionnement du produit. S'il est endommagé, faites réparer le produit avant de l'utiliser. De nombreux accidents sont le fruit d'une maintenance de produit inappropriée.

- **Garder les outils de coupe propres et tranchants.** *Les outils de coupe bien entretenus avec des bords tranchants sont moins susceptibles de se coincer et sont plus faciles à contrôler.*
- **Utilisez le produit, les accessoires, les embouts, etc. conformément à ces instructions, en tenant compte des conditions de travail et des travaux à effectuer.** *L'utilisation du produit pour des opérations différentes de celles prévues pourrait créer une situation dangereuse.*
- **Veillez à ce que les poignées restent propres, sèches et exemptes d'huile et de graisse.** *Les poignées et surfaces de prise glissantes ne permettent pas de manipuler et de maîtriser le produit dans des situations inattendues.*
- **Retirez la clé ou désactivez le produit lorsque vous le laissez sans surveillance.** *Le produit est dangereux pour les utilisateurs dépourvus de formation.*

2.2.5 UTILISATION ET ENTRETIEN DE L'OUTIL À BATTERIE

- **Rechargez uniquement avec le chargeur spécifié par le fabricant.** *Un chargeur adapté à un type de bloc-batterie peut créer un risque d'incendie lorsqu'il est utilisé avec un autre bloc-batterie.*
- **Utilisez le produit uniquement avec des blocs-batteries spécialement conçus.** *L'utilisation de tous autres bloc-batteries peut créer un risque de blessure et d'incendie.*
- **Lorsque le bloc-batterie n'est pas utilisé, éloignez-le des autres objets métalliques tels qu'attaches trombones, pièces de monnaie, clés, clous, vis ou autres petits objets métalliques qui peuvent établir une connexion d'une borne à une autre.** *Le court-circuitage des bornes de la batterie peut provoquer des brûlures ou un incendie.*
- **Dans des conditions abusives, du liquide peut être éjecté de la batterie; évitez tout contact.** *En cas de contact accidentel, rincez avec de l'eau. En cas de contact avec les yeux, consultez également un médecin. Le liquide s'échappant des batteries peut causer des irritations ou des brûlures.*
- **N'utilisez pas un produit ou un bloc-batterie endommagé ou modifié.** *Les batteries endommagées ou modifiées peuvent présenter un fonctionnement imprévisible et provoquer un incendie, une explosion ou un risque de blessure.*
- **N'exposez pas un produit ou un bloc-batterie au feu ou à une température excessive.** *L'exposition au feu ou une température supérieure à 265 °F (130 °C) peut provoquer une explosion.*

- **Suivez toutes les instructions de charge et ne chargez pas le bloc-batterie ou le produit en dehors de la plage de température spécifiée dans les instructions.** *Un rechargement incorrect ou à des températures en dehors de la plage spécifiée peut endommager la batterie et augmenter le risque d'incendie.*

2.2.6 SERVICE

- **Confiez l'entretien de votre produit à un réparateur qualifié utilisant uniquement des pièces de rechange identiques.** *Vous assurez la préservation de la sécurité du produit.*
- **Ne réparez jamais une batterie endommagée.** *L'entretien d'une batterie ne doit être effectué que par le fabricant ou des fournisseurs de service agréés.*

2.3 AVERTISSEMENTS DE SÉCURITÉ POUR TONDEUSE AUTOPORTÉE

- **N'utilisez pas la tondeuse par mauvais temps, spécialement si la foudre menace.** *Cela diminue le risque d'être frappé par la foudre.*
- **Vérifiez minutieusement l'absence d'animaux sauvages dans la zone où la tondeuse doit être utilisée.** *Les animaux sauvages peuvent être blessés par la tondeuse pendant son fonctionnement.*
- **Inspectez soigneusement la zone d'utilisation de la tondeuse et enlevez tous les bâtons, pierres, fils, os et autres objets étrangers.** *Les objets projetés peuvent causer des blessures corporelles.*
- **Avant d'utiliser la tondeuse, vérifiez systématiquement visuellement que la lame et l'assemblage de lame ne sont pas usés ou endommagés.** *Les pièces usées ou endommagées augmentent le risque de blessure.*
- **Maintenez les protections en place.** *Les protections doivent être en état de marche et être correctement montées. Un dispositif de protection desserré, endommagé ou ne fonctionnant pas correctement, peut entraîner des blessures.*
- **Maintenez toutes les entrées d'air de refroidissement libres de débris.** *Des entrées d'air obstruées et des débris peuvent entraîner une surchauffe ou un risque d'incendie.*
- **Lorsque vous utilisez la tondeuse, portez systématiquement des chaussures antidérapantes et protectrices.** *N'utilisez pas la tondeuse pieds nus ou si vous portez des sandales ouvertes. Vous réduisez ainsi le risque de blessure aux pieds par contact avec la lame en mouvement.*
- **Lorsque vous utilisez la tondeuse, portez systématiquement des pantalons longs.** *Une peau exposée augmente le risque de blessure par des objets lancés.*

- **N'utilisez pas la tondeuse sur des pentes supérieures à 15 degrés.** *Cela réduit le risque de perte de contrôle, de glissement et de chute pouvant entraîner des blessures corporelles.*
- **Pour le travail en pente, assurez-vous systématiquement d'être bien campé.** *Cela réduit le risque de perte de contrôle, de glissement et de chute pouvant entraîner des blessures corporelles.*
- **Ne tondez pas d'un côté à l'autre lorsque vous utilisez les tondeuses sur un terrain non nivelé ou en pente. Tondez toujours les pentes dans le sens de la montée et de la descente.** *Cela réduit le risque de perte de contrôle, de glissement et de chute pouvant entraîner des blessures corporelles.*
- **Ne touchez pas les lames et autres pièces mobiles dangereuses lorsqu'elles sont encore en mouvement.** *Cela permet de réduire le risque de blessures dues aux pièces mobiles.*
- **Pour débloquer des matériaux coincés ou nettoyer la tondeuse, assurez-vous que tous les interrupteurs d'alimentation sont éteints et retirez (ou activez) le dispositif de désactivation.** *Un fonctionnement inattendu de la tondeuse peut entraîner des blessures graves.*
- Soyez extrêmement prudent lorsque vous faites marche arrière ou que vous tirez la tondeuse vers vous. Soyez toujours conscient de votre environnement.
- L'utilisateur et le technicien **DOIVENT** examiner attentivement **TOUTES** les procédures du manuel de réparation, les formations et les précautions du fabricant (équipementier) relatives à la sécurité avant l'utilisation, la maintenance et l'entretien.

Note : *L'utilisateur et le technicien devraient consulter un professionnel médical pour déterminer s'ils portent :*

- Un implant défibrillateur.
- Un stimulateur cardiaque.
- Une pompe à analgésique interne.
- Une pompe à insuline.
- Des appareils auditifs.
- D'autres appareillages médicaux.

2.4 LIRE TOUTES LES INSTRUCTIONS

▲ DANGER

Cette tondeuse a été fabriquée pour être utilisée conformément aux consignes de sécurité qui figurent dans ce manuel. Comme avec tout autre type d'équipement motorisé, la négligence ou une erreur de la part de l'utilisateur peut provoquer des blessures graves. Cette tondeuse est capable d'amputer des parties du corps et de projeter des objets. Le non-respect des consignes de sécurité peut entraîner des blessures graves, voire mortelles.

▲ AVERTISSEMENT

Des mesures de sécurité de base doivent toujours être prises lors de l'utilisation des tondeuses à gaz afin de réduire les risques d'incendie, de décharge électrique et de blessures.

▲ AVERTISSEMENT

L'utilisation de cette tondeuse doit être limitée aux personnes qui ont lu et compris et qui respecteront les avertissements et les instructions qui sont imprimés dans ce manuel et sur la tondeuse.

▲ AVERTISSEMENT

- Lisez attentivement toutes les instructions sur la tondeuse et dans le manuel d'utilisation avant d'essayer d'assembler ou d'utiliser la tondeuse.
- Pour assurer un fonctionnement sécuritaire, lisez, comprenez et suivez toutes les instructions comprises dans ce manuel.
- Familiarisez-vous avec toutes les commandes et leur bon fonctionnement. Sachez comment arrêter la tondeuse et comment couper l'alimentation électrique en cas d'urgence.
- Conservez ce manuel dans un endroit sûr pour référence et consultez-le régulièrement.

2.4.1 SÉCURITÉ GÉNÉRALE

- N'utilisez pas la tondeuse autoportée à batterie sous la pluie.
- Seuls des adultes responsables et capables, qui connaissent bien le mode d'emploi, peuvent être autorisés à faire fonctionner ce produit.
- Une utilisation sécuritaire requiert toute votre attention et vos capacités.
- Regardez toujours où vous allez et soyez conscient de votre environnement.
- Écoutez le produit et soyez attentif à tout changement.
- Sentez le produit et observez ses réactions à vos mouvements et à l'environnement.
- Restez concentré sur votre tâche.
- Portez toujours une protection oculaire appropriée, conforme aux normes de sécurité les plus récentes, afin de réduire le risque de blessure oculaire lors de l'utilisation ou de l'exécution de tout réglage ou réparation. Consultez la norme ANSI Z87.1.
- N'utilisez pas le produit si le dispositif de protection de la décharge ou d'autres dispositifs de sécurité ne sont pas en place et en état de marche.
- Portez toujours un masque facial ou un masque antipoussière pendant l'utilisation de la tondeuse dans un endroit poussiéreux.
- Portez toujours des vêtements appropriés. Le port de gants de protection et de chaussures de sécurité est recommandé.

- N'utilisez jamais le produit en employant un téléphone portable ou un quelconque autre dispositif électronique. Une utilisation distraite peut accroître le risque de blessures graves pour l'opérateur et les badauds.
- N'utilisez pas l'équipement si vous portez des sandales, des chaussures de tennis, des chaussures de course, des shorts ou tout autre type de vêtement ample. Portez des chaussures de sécurité, un casque, des pantalons longs, une protection oculaire et une protection auditive durant le travail pour réduire le risque de blessure. Évitez les vêtements amples, les bijoux et tout autre accessoire pouvant être piégé dans des pièces mobiles. Attachez les cheveux au-dessus du niveau des épaules avant de débiter le travail.
- Ne transportez pas de passagers et maintenez les badauds à l'écart.
- Suivez les recommandations du fabricant en ce qui concerne les poids des roues ou les contrepoids.

2.4.2 PRÉPARATION AVANT L'UTILISATION

- Débarrassez la zone d'utilisation de tous les objets qui pourraient être projetés par le produit ou en gêner le fonctionnement.
- Garder la zone d'opération à l'écart des spectateurs, en particulier les jeunes enfants. Arrêtez le produit et le ou les accessoires si quiconque entre dans la zone.
- N'utilisez pas le produit sans le collecteur d'herbe, la goulotte de décharge ou les autres dispositifs de sécurité en place et en état de marche. Vérifiez fréquemment les signes d'usure ou de détérioration et remplacez-les si nécessaire.
- Portez des équipements de protection individuelle appropriés tels que des lunettes de sécurité, des protections auditives et des chaussures.
- Ne transportez pas de passagers où que ce soit sur le produit. Maintenez les animaux de compagnie et les badauds hors de la zone de tonte durant le travail.

2.4.3 OPÉRATION

- Ne faites jamais fonctionner un produit mal entretenu. Réparez ou remplacez tout composant endommagé avant de redémarrer et d'utiliser la tondeuse.
- Gardez toujours les boucliers et les couvercles de sécurité en place.
- Suivez les listes de contrôle quotidiennes et hebdomadaires, en vous assurant que les branchements électriques sont bien fixés et que les boulons sont bien serrés.
- N'utilisez jamais la tondeuse sans un bouclier de protection approprié, un couvercle d'évacuation, un commutateur de commande ou d'autres dispositifs de protection de sécurité en place et en état de fonctionnement. Ne faites pas fonctionner

la tondeuse si des dispositifs de sécurité sont endommagés. Vous risqueriez de vous blesser.

- Minimisez l'exposition à l'eau. Ne conduisez pas la tondeuse dans l'eau. Ne la laissez pas sous la pluie. Ne la nettoyez pas avec de l'eau ou un tuyau sous pression.
- Conduisez toujours avec les deux mains. Ne conduisez pas d'une seule main.
- Utilisez le produit uniquement à la lumière du jour ou sous une bonne lumière artificielle.
- Évitez les trous, les ornières, les bosses, les rochers ou autres dangers cachés. Un terrain irrégulier peut faire basculer le produit ou faire perdre l'équilibre à l'utilisateur.
- Ne mettez pas les mains ou les pieds près des pièces en rotation ou sous le produit. En tout temps, se tenir à l'écart de l'ouverture de déchargement.
- Ne pas diriger le matériau de décharge vers quelqu'un. Évitez de déverser le matériau contre un mur ou un obstacle. Le matériau peut ricocher en direction de l'opérateur. Arrêtez la ou les lames lorsque vous traversez des surfaces de gravier.
- N'essayez jamais de manœuvrer à grande vitesse, surtout dans les zones encombrées ou sur les pentes.
- Ralentez avant de tourner.
- Pour éviter tout contact avec la lame ou toute blessure causée par un objet projeté, restez dans la zone d'opération derrière les guidons et gardez les enfants et les curieux à au moins 30 m (100 pi) de la tondeuse pendant son fonctionnement. Arrêtez immédiatement le moteur si une personne pénètre dans la zone de tonte.
- Ne laissez pas un produit en marche sans surveillance. Garez-vous toujours sur un terrain plat, débrayez l'accessoire, serrez le frein de stationnement et arrêtez le produit.
- Ne placez jamais vos mains ou vos pieds près d'une pièce en mouvement ou sous le plateau de coupe. La lame en mouvement peut amputer les mains et les pieds.
- Si la tondeuse commence à vibrer excessivement, arrêtez le moteur et vérifiez immédiatement la cause. Des vibrations excessives sont généralement un signe que la tondeuse ne fonctionne pas correctement.
- Arrêtez le moteur et attendez l'arrêt complet de la lame avant de déboucher la goulotte. La lame continuera à tourner pendant quelques secondes après que le moteur s'est éteint. Ne placez aucune partie de votre corps dans la zone de la lame jusqu'à ce que vous soyez sûr que la lame a cessé de tourner.
- Si la tondeuse heurte un corps étranger, arrêtez le produit, mettez le commutateur d'allumage en position « OFF », puis, si cela ne présente aucun danger, vérifiez qu'elle n'est pas endommagée.
- Ne forcez pas la tondeuse.

- N'utilisez cette tondeuse que pour les travaux auxquels elle est destinée.
- Ne tondez pas en marche arrière, sauf en cas de nécessité absolue. Regardez systématiquement vers le bas, en arrière et sur les côtés avant de changer de direction ou en reculant. Une action négligente peut provoquer la mort ou de graves blessures en une fraction de seconde.

2.4.4 SPÉCIFIQUE AUX ENFANTS

- Des accidents tragiques peuvent se produire si l'opérateur ne fait pas attention à la présence des enfants. Les enfants sont souvent attirés par le produit et l'activité de tonte. Ne supposez jamais que les enfants resteront là où vous les avez vus pour la dernière fois.
- Maintenez les enfants hors de la zone de travail et placez-les sous la surveillance d'un adulte responsable autre que l'opérateur.
- Ne transportez pas d'enfants, même si la ou les lames sont arrêtées. Les enfants risquent de tomber et de se blesser grièvement ou de nuire au travail en toute sécurité. Les enfants à qui vous avez permis de monter sur la tondeuse dans le passé pourraient soudainement apparaître dans la zone de tonte pour une autre promenade et se faire écraser ou renverser par le produit.

2.4.5 UTILISATION D'UNE RAMPE

- Pour le chargement et le déchargement du produit hors d'une remorque, utilisez systématiquement des rampes de pleine largeur, dépassant la largeur du produit.
- Elle offre une surface sur laquelle le châssis de la tondeuse pourrait entrer en contact si l'appareil commençait à basculer vers l'arrière. Elle réduit également le risque qu'une roue se détache et que le produit se renverse.
- Ne dépassez pas un angle de 15 degrés entre la rampe et le sol ou entre la rampe et la remorque ou le camion.
- Familiarisez-vous avec les commandes de la tondeuse et ayez confiance en son bon fonctionnement avant d'essayer de la faire monter ou descendre une rampe.
- Utilisez le mode de conduite lente et conduisez prudemment.
- Évitez tout mouvement brusque des commandes et n'effectuez que des accélérations lentes et régulières.

2.4.6 REMORQUAGE D'UNE CHARGE

- Remorquez uniquement avec un produit doté d'un attelage conçu pour le remorquage. N'attachez l'équipement remorqué qu'au point d'attelage.
- Suivez les recommandations du fabricant concernant les limites de poids de l'équipement

remorqué et le remorquage sur les pentes. (Référence 7,1,2)

- Ne permettez jamais aux enfants ou à d'autres personnes d'entrer dans ou sur l'équipement remorqué.
- Sur les pentes, le poids de l'équipement remorqué peut entraîner une perte de traction et une perte de contrôle.
- Conduisez lentement et prévoyez une distance supplémentaire au moment de freiner.

2.4.7 ENTRETIEN

- Maintenez le produit en bon état de marche. Remplacez les pièces usées ou endommagées.
- Soyez prudent lors de l'entretien des lames. Enveloppez la ou les lames ou portez des gants. Remplacez les lames endommagées. Ne pas réparer ou modifier la ou les lames.
- Ne chargez pas la tondeuse autoportée sous la pluie ou dans des endroits humides.
- Rangez la tondeuse à siège à l'intérieur - lorsqu'elle n'est pas utilisée, la tondeuse autoportée doit être rangée à l'intérieur, dans un endroit sec et fermé à clé, hors de portée des enfants.
- Éteignez et retirez la clé de contact avant l'entretien, le nettoyage ou le retrait de matériaux de la tondeuse autoportée.

Conservez tous les avertissements et instructions pour référence ultérieure.

2.4.8 UTILISATION SUR UNE PENTE



Les pentes sont un facteur important lié aux accidents. L'utilisation sur les pentes exige une prudence supplémentaire. Pour réduire le risque de blessure, n'utilisez jamais le produit sous aucune condition si vous sentez qu'une roue glisse ou patine, voire si la traction d'une roue ou la stabilité et la maîtrise de la tondeuse ne sont pas certaines. Le produit peut glisser même si les roues sont arrêtées. Ces conditions rehaussent le risque de retournement.

- N'utilisez jamais sur une pente supérieure à 15 degrés - une pente s'élevant de 1,6 m (5,4 pi.) sur un segment de 6 m (20 pi). Voir **Guide d'identification des pentes** (Référence 2,4,9) dans ce Manuel de l'opérateur.
- Ralentissez et soyez spécialement prudent pour tondre en pente. Si vous ne pouvez pas reculer sur la pente ou si vous ne vous sentez pas à l'aise, ne conduisez pas sur la pente.

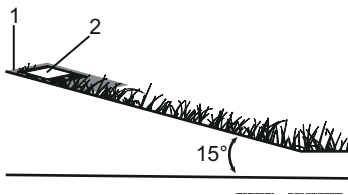
- Évitez les virages en pente vers le bas avec le produit. Tournez en remontant la pente.
- Maintenez systématiquement le produit avec une vitesse engagée pour descendre une pente. Ne descendez pas en roue libre.
- Évitez de démarer et de vous arrêter dans une pente. Évitez les changements de direction ou de vitesse brusques. Faites les virages lentement et progressivement.
- Évitez de tondre l'herbe glissante, humide ou tendre. Le fonctionnement sur des pentes humides ou meubles peut causer une perte de contrôle, entraînant un renversement.
- Faites spécialement attention en utilisant le produit avec un collecteur d'herbe ou d'autres accessoires. Ils peuvent affecter la stabilité du produit.

2.4.9 GUIDE D'IDENTIFICATION DES PENTES

▲ AVERTISSEMENT

Pour réduire le risque de blessures graves, voire mortelles, ne travaillez jamais sur des pentes de plus de 15 degrés. Vérifiez systématiquement l'inclinaison de la pente sur une surface de pelouse avant de tenter de la tondre.

- Téléchargez une application d'inclinomètre sur votre dispositif mobile pour mesurer les pentes.
- Placez une pièce plate de bois ou de métal longue de 1,2-1,8 m (4-6 pi.) sur la surface de la pente.
- Ouvrez l'application et placez votre téléphone (2) sur la pièce plate de métal ou de bois (1) afin de déterminer la pente exacte de votre pelouse. Ne tondez pas si la pente est inclinée de plus de 15 degrés



2.4.10 FOSSÉS ET EAU

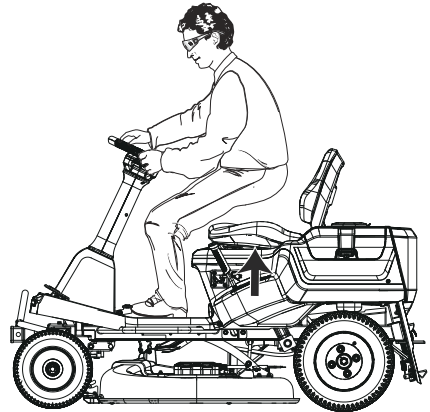
▲ AVERTISSEMENT

Les fossés autour des marches et l'eau sont des dangers répandus. N'utilisez jamais votre tondeuse en descente sur une pente à proximité de l'eau, d'un mur de soutènement ou autrement d'un fossé. Faites spécialement attention en utilisant la tondeuse à proximité de ces dangers.

▲ AVERTISSEMENT

Pour réduire le risque de chute dans l'eau, par-dessus des marches ou au bord d'un fossé, préservez systématiquement deux largeurs de tondeuse entre votre tondeuse et le danger. Le non-respect d'un décalage suffisant peut causer des blessures graves, voire mortelles, ou une noyade.

2.4.11 SYSTÈME DE VERROUILLAGE DE SÉCURITÉ



Cette tondeuse comporte un système de verrouillage réciproque de sécurité comprenant un frein de stationnement, un interrupteur de présence de l'opérateur, un interrupteur à tirette et la clé de contact, afin de protéger l'opérateur et quiconque d'autre contre les blessures accidentelles associées à un démarrage accidentel. Testez le système avant chaque utilisation pour vous assurer qu'il fonctionne correctement.

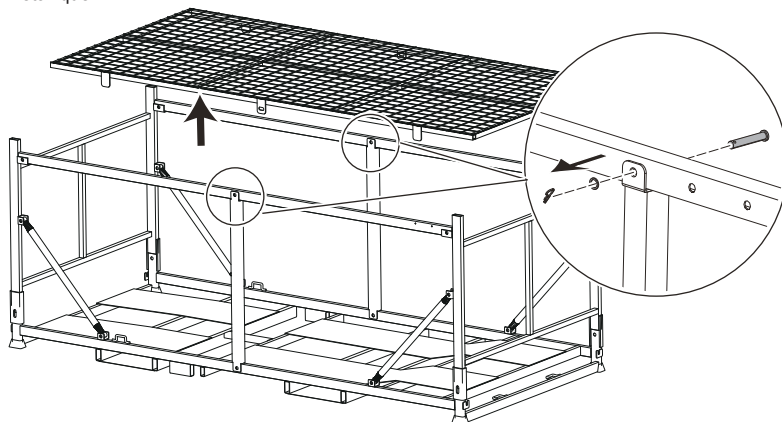
1. L'opérateur doit être assis sur le siège lors du test de l'interrupteur de présence d'opérateur.
2. Insérez la clé de contact et positionnez-la sur ON.
3. Relâchez le frein de stationnement.
4. Tirez sur l'interrupteur à tirette pour embrayer les lames.
5. Levez-vous lentement hors du siège. Le système des lames de tondeuse devrait s'arrêter.

Les lames doivent s'éteindre dans un délai de 3 secondes. Si cela n'est pas le cas, communiquez immédiatement avec le service à la clientèle. N'utilisez pas la tondeuse tant que le système de verrouillage de sécurité n'a pas été réparé.

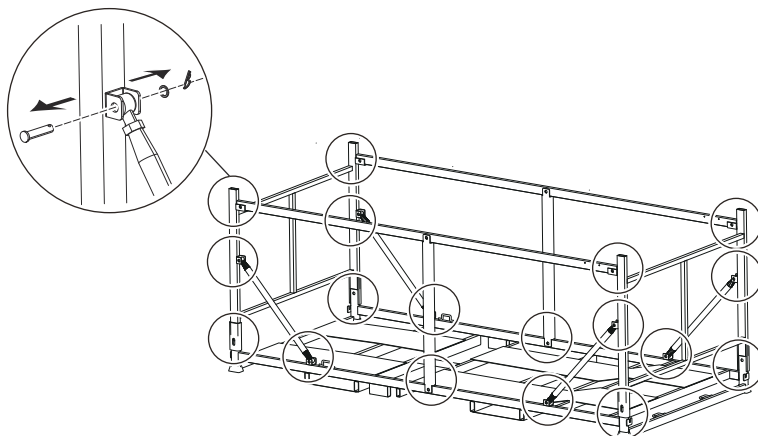
3 DÉBALLAGE DU PRODUIT

La tondeuse est expédiée dans une caisse. Voici sa procédure de déballage et de sortie.

1. Retirez les deux goupilles, rondelles et axes de chape fixant le maillage métallique sur le châssis et retirez le maillage métallique.



2. Retirez 18 goupilles, les rondelles et les axes de chape sécurisant chaque traverse sur le châssis et retirez les traverses.



3. Libérez ou coupez les quatre sangles qui fixent les essieux des roues avant et arrière sur le châssis inférieur.
4. Retirez les boîtes contenant les pièces détachées, la visserie d'assemblage et la documentation.
5. Enlevez tout l'emballage et la cellophane et mettez-les de côté, à l'écart de l'unité et des pièces. Ne jetez pas le matériel d'emballage avant d'avoir soigneusement inspecté le produit et vérifié qu'il fonctionne correctement.
6. Inspectez soigneusement le produit pour vous assurer qu'il n'a pas été cassé ou endommagé pendant le transport.

▲ AVERTISSEMENT

Lors de l'assemblage de pièces en vrac sur votre tondeuse, vérifiez que la pièce est correctement assemblée et qu'elle est bien serrée au couple correct (le cas échéant) avant de passer à l'étape d'assemblage suivante. L'utilisation d'une tondeuse qui aurait été mal assemblée pourrait entraîner des blessures graves.

▲ AVERTISSEMENT

Vous devez lire attentivement et comprendre le manuel avant de conduire la tondeuse hors du châssis. Le non-respect de ces instructions peut entraîner une perte de contrôle et provoquer la mort, des blessures corporelles graves ou des dommages matériels.

4 ASSEMBLAGE

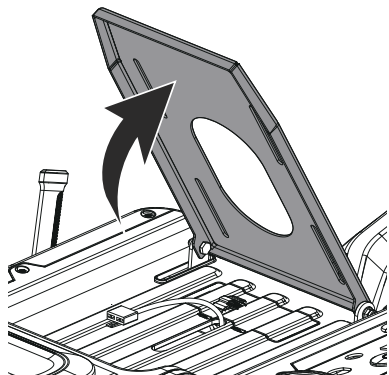
Cette section décrit la méthode d'assemblage et de réglage du produit.

▲ AVERTISSEMENT

VOUS DEVEZ AVOIR LU ATTENTIVEMENT ET COMPRIS LE CHAPITRE SÉCURITÉ ET LES INSTRUCTIONS D'ASSEMBLAGE AVANT D'ASSEMBLER LE PRODUIT.

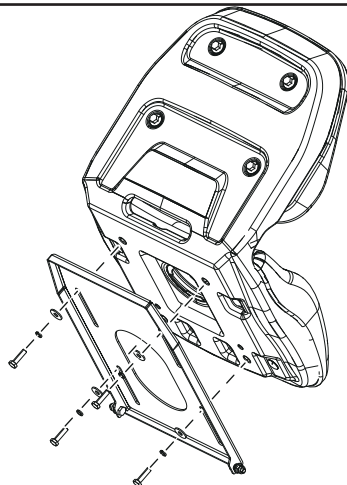
4.1 INSTALLATION DU SIÈGE

1. Soulevez le panneau du siège.

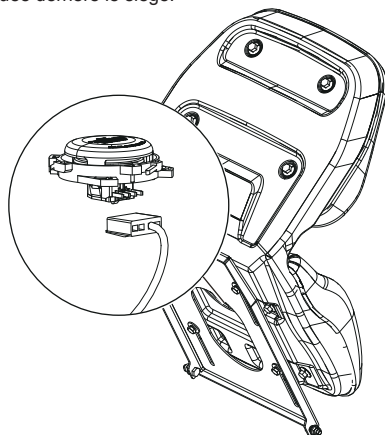


2. Placez l'ensemble du siège sur le panneau du siège et alignez les orifices avec les fentes de montage.
3. Insérez les boulons M8 et les rondelles dans les fentes de montage du panneau du siège et serrez-les fermement à l'aide d'une douille de 10 mm à un couple de 15 à 20 N.m (11 à 15 pi-lb).

Note : Vous pouvez régler la position du siège en installant les boulons plus ou moins loin du volant.



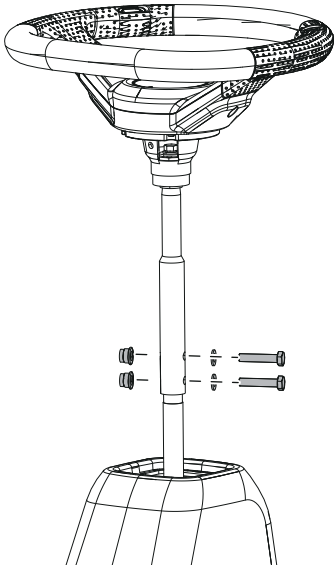
4. Connectez le connecteur de fils sur la fiche du siège située derrière le siège.



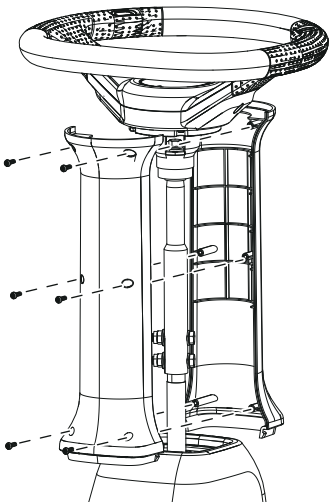
4.2 INSTALLATION DU VOLANT

Note : Avant l'assemblage, assurez-vous que l'ensemble de montage fait face au siège.

1. Installez l'arbre de direction dans le coupleur, en alignant les trous de l'arbre sur les trous des boulons du coupleur. Insérez et serrez fermement les deux boulons M8 et les rondelles en appliquant un couple de 20 à 25 N.m (15 à 18 pi-lb) à l'aide d'une clé de 13 mm.

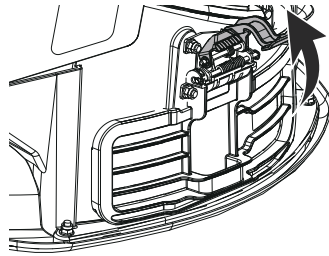


2. Assemblez les deux parties de la colonne de direction. Insérez six vis de 16 mm dans les trous de montage et utilisez une clé T20 pour les serrer fermement avec un couple de 0,8 à 1,2 N.m (0,6 à 0,9 pi-lb).

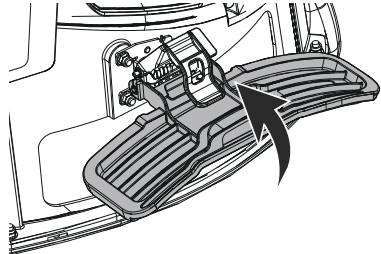


4.3 INSTALLER LA GOULOTTE D'ÉJECTION LATÉRALE

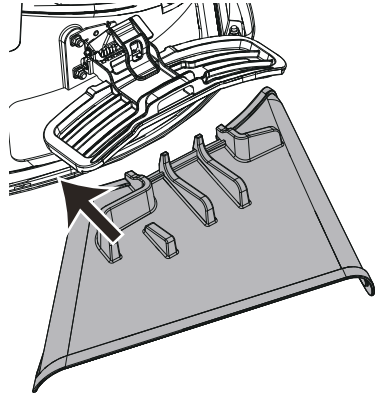
1. Soulevez l'attache de la porte et maintenez-la en place.



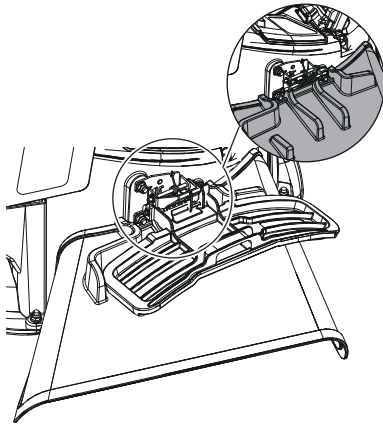
2. De l'autre main, soulevez la porte d'éjection latérale pour exposer l'ouverture de l'éjection latérale et maintenez-la en place.



3. Placez la goulotte d'éjection latérale de manière à ce qu'elle s'insère dans l'ouverture.



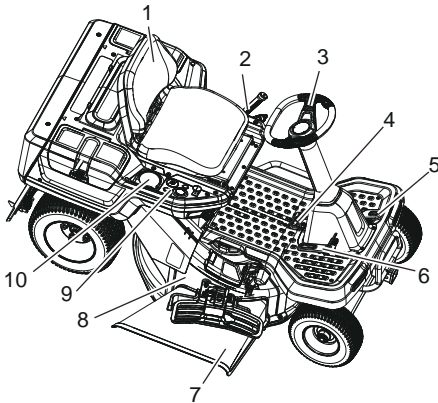
4. Alignez les dents de la goulotte d'éjection latérale sur l'ensemble de la tige pour la fixer solidement.



5 FONCTIONNALITÉS ET COMMANDES

La section suivante offre une brève description des fonctions des commandes individuelles. Pour en savoir plus sur le démarrage, l'arrêt, la conduite et la tonte, voir la section **Fonctionnement** (Référence 7).

5.1 COMMANDES DE PRODUIT



- | | | | |
|---|--|----|------------------------------|
| 1 | Siège | 7 | Goulotte d'éjection latérale |
| 2 | Levier de réglage de la hauteur du plateau | 8 | Goulotte d'éjection arrière |
| 3 | Volant | 9 | Panneau de contrôle |
| 4 | Pédale de frein de stationnement | 10 | Porte-gobelet |
| 5 | Pédale de frein | | |
| 6 | Pédale avant/ arrière | | |

5.1.1 LEVIER DE RÉGLAGE DE LA HAUTEUR DU PLATEAU

Avant d'utiliser la tondeuse, élevez la hauteur du plateau de coupe à la position de coupe la mieux adaptée à votre pelouse.

La hauteur de carter est réglable à partir de 1-4 po. Le carter devrait être levé pour éviter les souches, pierres et autres obstacles susceptibles d'endommager le carter de tondeuse.

▲ ATTENTION

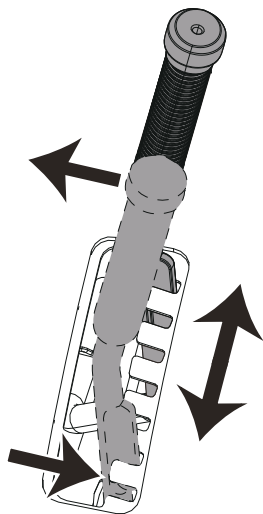
Saisissez et tenez fermement le levier de réglage de la hauteur du carter. Relâchez-le uniquement une fois fixé dans la fente souhaitée pour éviter les blessures potentielles aux mains.

▲ ATTENTION

Ne réglez la hauteur de coupe que lorsque la tondeuse est en position de stationnement, afin d'éviter d'endommager le produit et/ou de provoquer des blessures.

Pour ajuster la hauteur de coupe :

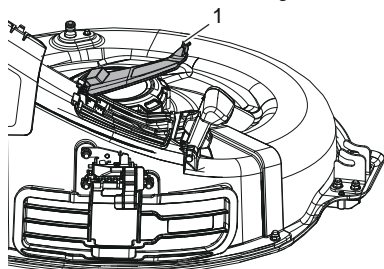
1. Arrêtez la tondeuse et débrayez les lames.
2. Tournez la clé en position « OFF », appuyez sur la pédale de frein de stationnement et maintenez-la enfoncée, puis appuyez à fond sur la pédale de frein pour serrer le frein de stationnement.
3. Saisissez le levier de réglage de la hauteur du carter et déplacez-le vers l'intérieur pour le dégager du cran de positionnement.
4. Déplacez le levier de réglage de la hauteur du carter vers le bas et vers le haut, et placez-le dans le cran de positionnement à la hauteur de coupe souhaitée.



5.1.2 GOULOTTE D'ÉJECTION ARRIÈRE

L'appareil est équipé d'une goulotte d'éjection arrière pour ramasser l'herbe coupée et l'éjecter à l'arrière de l'appareil.

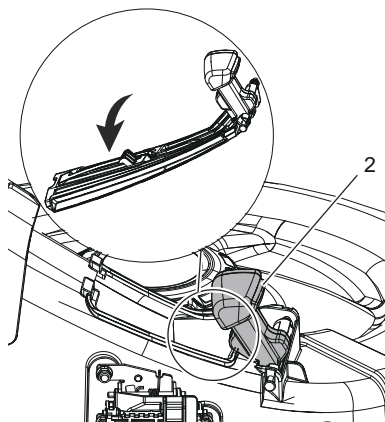
- Tirez la languette vers l'arrière (1) à l'avant de la plaque d'éjection pour retirer la plaque, exposant ainsi un déflecteur à l'intérieur de la goulotte.



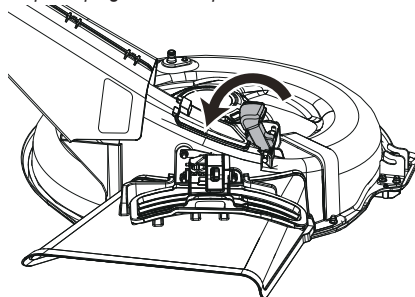
- Le déflecteur est utilisé pour bloquer ou débloquer la goulotte d'éjection arrière. Si la poignée est en position avant, la goulotte est ouverte pour éjecter l'herbe coupée à l'arrière du produit.

Note : N'installez pas la goulotte d'éjection latérale et gardez la porte d'éjection latérale fermée lorsque la poignée est en position avant.

- Appuyez sur le bouton de déverrouillage (2) de la poignée pour tirer la poignée vers l'arrière. Le déflecteur basculera vers le bas pour bloquer la goulotte d'éjection arrière.

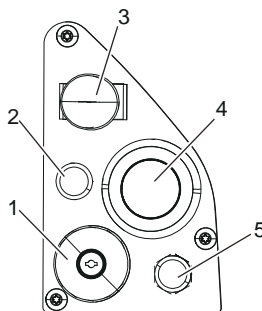


Note : Installez la goulotte d'éjection latérale lorsque la poignée est en position arrière.



Note : Dégagez l'herbe bloquée en ouvrant la plaque d'éjection en mode d'éjection latérale.

5.1.3 PANNEAU DE CONTRÔLE



1. Interrupteur d'allumage : L'interrupteur sert à allumer et à éteindre la tondeuse. La clé de contact doit être insérée avant de pouvoir actionner l'interrupteur.

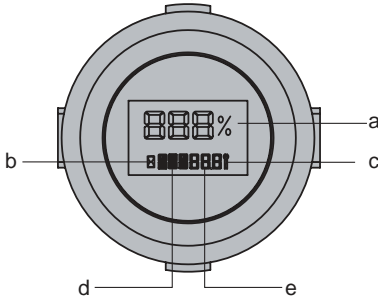
2. Bouton de marche arrière : Appuyez pour couper l'herbe en marche arrière.

3. Interrupteur à tirette : L'interrupteur à tirette engage et désengage les lames de tondeuse. Appuyez sur l'interrupteur vers le HAUT pour engager et vers le BAS pour désengager.

▲ ATTENTION

N'engagez jamais interrupteur à tirette du carter lorsque le carter est chargé. Autrement, vous risquez d'endommager le moteur ou le carter.

4. Écran d'affichage numérique : Cet écran d'affichage numérique montre des informations importantes concernant le système électrique.



#	Symbole	Signification
a	888%	Niveau de pile
b	⊗	Indicateur d'heures de fonctionnement
c	⚡	Vérifiez le contrôleur, la batterie ou le moteur
d	⊠ ⊠ ⊠	Détails de l'erreur/ Statut du produit : Marche avant (D), Point mort (N), Marche arrière (R) et Tonte en marche ar-rrière (RM)
e	888	Code d'erreur/temps total de fonctionnement

5. Bouton de basse vitesse : Appuyez sur ce bouton pour passer la vitesse de conduite de 4,5 mph à 2,5 mph en mode tonte.

6 SYSTÈME ÉLECTRIQUE

6.1 SÉCURITÉ DU SYSTÈME ÉLECTRIQUE

Pour réduire le risque de blessures graves par un incendie ou une décharge électrique en travaillant sur le système électrique :

- Retirez systématiquement la clé de contact et les batteries et lisez le manuel de l'opérateur avant de travailler sur ce produit.

- Retirez systématiquement la clé de contact et les batteries pour le transport du produit.
- Débarrassez le produit de l'herbe coupée, des feuilles et d'autres débris. N'utilisez PAS d'eau pour nettoyer le produit. N'utilisez que de l'air comprimé. Portez une protection oculaire et auditive adéquate lorsque vous nettoyez le produit.
- Portez systématiquement un équipement de protection (lunettes de sécurité, masque facial et gants) pour travailler avec la batterie. Utilisez des outils isolés.
- Nettoyez le produit de tous les débris et salissures. N'utilisez pas de solvants, de nettoyeurs puissants ou d'abrasifs.
- Maintenez les badauds à l'écart lorsque vous enclenchez l'interrupteur PDF.
- Assurez-vous qu'il n'y ait jamais de flammes, d'étincelles ou de fumée à proximité du produit ou des batteries.
- Maintenez le produit et les batteries hors de la portée des enfants.
- Gardez toujours les boucliers de protection, les couvercles et les protections en place et bien fixés. S'ils sont endommagés, réparez ou remplacez-les immédiatement. Ne modifiez ou n'enlevez jamais les dispositifs de sécurité.

6.2 RENSEIGNEMENTS SUR LE SYSTÈME ÉLECTRIQUE

Le produit est alimenté par un système électrique 60 V/80 V. Il se compose des éléments suivants :

- Lame et contrôleur d'entraînement (1)
- Moteur de lame (1)
- Accélérateur (1)
- Afficheur numérique (1)
- Moteur de roue (1)
- Compartiment de batterie (2)
- Phare (2)

7 UTILISATION

Cette section décrit le mode d'emploi du produit.

▲ AVERTISSEMENT

VOUS DEVEZ AVOIR LU ATTENTIVEMENT ET COMPRIS LE CHAPITRE SÉCURITÉ ET LES INSTRUCTIONS D'UTILISATION AVANT D'UTILISER LE PRODUIT.

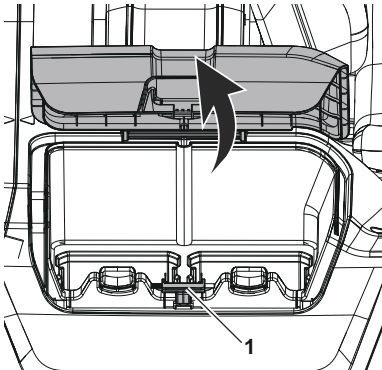
7.1 AVANT L'UTILISATION

7.1.1 CONNECTER LES BATTERIES AU PRODUIT

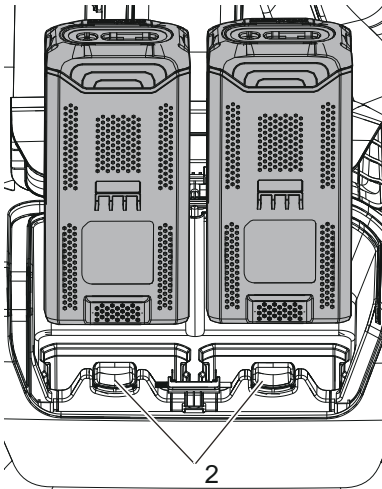
▲ AVERTISSEMENT

Utilisez uniquement des batteries Greenworks authentiques avec le produit.

1. Assurez-vous que les batteries sont complètement chargées.
2. Appuyez sur le bouton de déverrouillage (1) pour ouvrir le couvercle de la batterie.



3. Poussez les batteries dans leur compartiment. La batterie se verrouille en position lorsque vous entendez un clic.



▲ ATTENTION

Si la batterie a du mal à s'insérer dans son compartiment, elle est mal installée. Vous risquez ainsi d'endommager le produit.

Note : Appuyez sur le bouton de déverrouillage de la batterie (2) pour retirer les batteries.

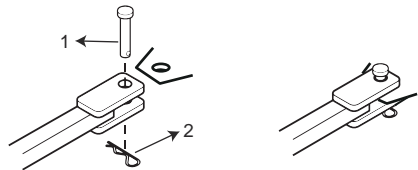
7.1.2 ATTELAGE DE REMORQUE ARRIÈRE

▲ AVERTISSEMENT

Le remorquage de charge peut être risqué, spécialement en pente.

- Le poids total maxi. (remorque et charge) ne devrait pas dépasser 300 lb (136 kg).
- Le poids maxi. de la flèche devrait être inférieur à 45 lb (20,2 kg).
- Évitez les pentes supérieures à 10 degrés.
- Ralentissez et soyez prudent sur les pentes.
- Ne remorquez pas avec un collecteur d'herbe.

Sécurisez la remorque avec l'axe de chape (1) et la goupille R (2) appropriés.

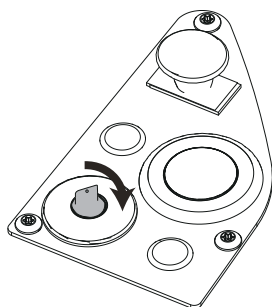


Des charges remorquées excessives affectent la traction et la maîtrise sur les pentes. Allégez la charge sur les pentes. Les conditions de surface affectent la traction et la stabilité. Des surfaces humides ou glissantes réduisent la traction, affectant les capacités d'arrêt de virage. Évaluez le terrain avant d'utiliser l'unité et la remorque en évitant les pentes supérieures à 10 degrés.

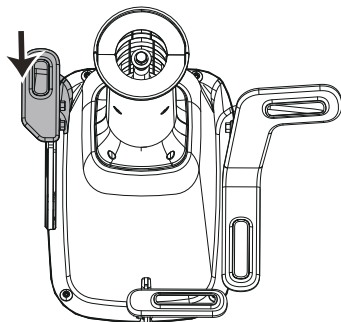
7.2 DÉMARRAGE DU PRODUIT

Note : Assurez-vous qu'il n'y a pas de passants dans la zone avant de faire fonctionner la tondeuse. Si quelqu'un pénètre dans la zone de tonte, arrêtez immédiatement et ne recommencez pas à tondre avant que les passants aient quitté la zone.

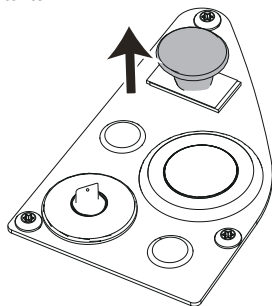
1. Relevez le plateau de la tondeuse à sa position la plus haute. Consultez la section **Levier de réglage de la hauteur du carter** (Référence 5,1,1) sous **Fonctionnalités et commandes**.
2. Insérez la clé de contact et tournez-la en position « ON ».



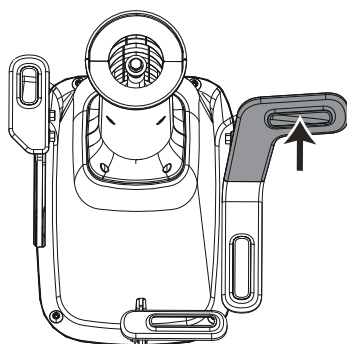
3. Tapez sur la pédale de frein pour relâcher le frein de stationnement.



4. Tirez sur l'interrupteur à tirette pour embrayer les lames de tonte.



5. Appuyez sur la pédale d'accélérateur pour commencer à tondre.



▲ AVERTISSEMENT

Ne pressez pas la pédale d'accélérateur lorsque le frein de stationnement ou le frein de conduite est enclenché.

▲ AVERTISSEMENT

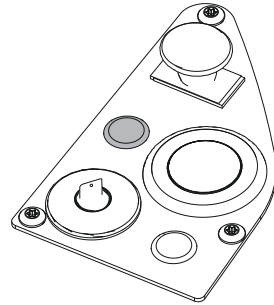
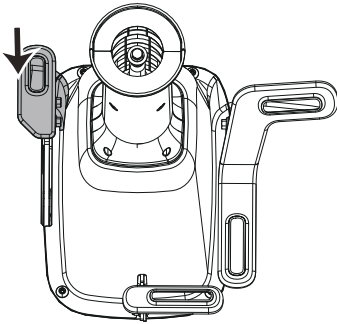
Soyez prudent lorsque vous traversez des chemins de gravier ou des entrées. Avant de traverser, désengagez les lames et relevez le plateau de coupe à la position la plus haute pour minimiser les risques de ricochet. Conduisez lentement pour éviter la perte de traction et de contrôle.

▲ ATTENTION

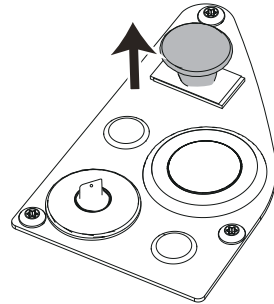
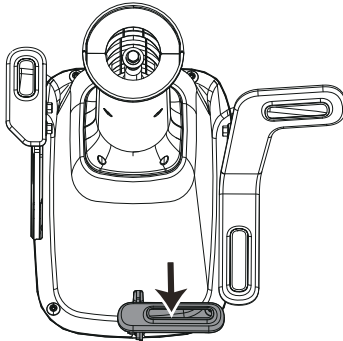
N'essayez pas de changer le sens de conduite (D/R) pendant que la tondeuse est en mouvement. Arrêtez-vous toujours complètement avant de changer le sens de conduite.

7.3 ARRÊT DU PRODUIT

1. Arrêtez le produit sur une surface plane et de niveau.
2. Appuyez sur la pédale de frein pour arrêter, puis enfoncez complètement la pédale de frein de stationnement. Relâchez la pédale de frein en veillant à ce que le frein de stationnement reste bien serré. **Remarque :** Tapez sur la pédale de frein à nouveau pour relâcher le frein de stationnement.

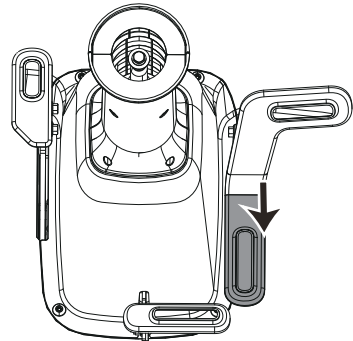
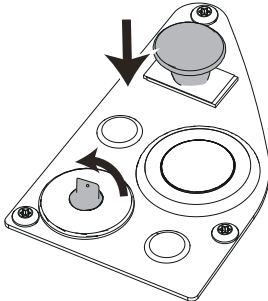


2. Tirez sur l'interrupteur à tirette pour embrayer les lames.



3. Poussez sur l'interrupteur à tirette pour débrayer les lames.
4. Tournez la clé de contact en position OFF.

3. Utilisez votre talon pour appuyer doucement sur la pédale de marche arrière afin de tondre en marche arrière si cela est nécessaire.

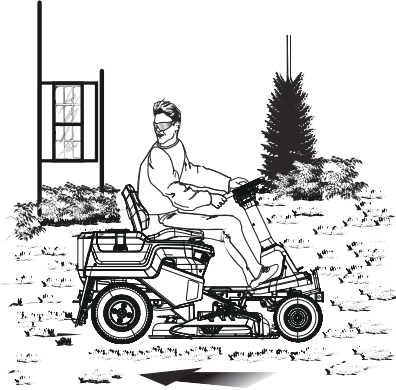


7.4 FONCTIONNEMENT EN MODE MARCHE ARRIÈRE

1. Appuyez sur le bouton de tonte en marche arrière.

▲ AVERTISSEMENT

Ne tondez pas en marche arrière, sauf en cas de nécessité absolue. Regardez systématiquement vers le bas, en arrière et sur les côtés avant de changer de direction ou en reculant. Une action négligente peut provoquer la mort ou de graves blessures en une fraction de seconde.

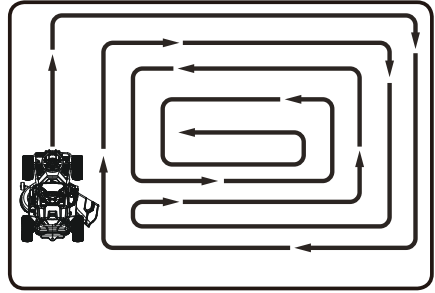


▲ AVERTISSEMENT

Faites preuve d'une extrême prudence avant et pendant la marche arrière lorsque le kit de collecteur d'herbe (non fourni) est installé, car il peut limiter la visibilité. Regardez toujours attentivement vers le bas et derrière vous pour vérifier la présence de petits enfants, de badauds et d'animaux domestiques et déplacez la tondeuse lentement pour éviter les accidents susceptibles de causer des blessures graves, voire mortelles.

7.5 TONTE

Sélectionnez une zone nivelée et régulière à tondre. Soyez prudent avec les arbres, les clôtures et les pentes. Tondez en ligne droite en chevauchant légèrement. Modifiez occasionnellement les motifs de tonte pour éviter les méplats. Pour une touche professionnelle, tondez longitudinalement une fois puis perpendiculairement la fois suivante.



Pour tondre de vastes espaces, commencez par tourner à droite afin de vous assurer que les coupures sont dirigées à l'écart des buissons, clôtures, allées et autres zones. Après avoir effectué un ou deux tours, tondez selon un motif de va-et-vient à travers la pelouse, en pivotant aux bords de l'herbe déjà tondue.

7.6 MOTIFS DE TONTE

7.6.1 DÉCHARGE LATÉRALE

La décharge latérale est une technique de tonte qui traite avec efficacité un volume d'herbe plus important en un seul passage. Cette méthode implique l'expulsion des coupures d'herbe sur le côté du carter de tondeuse et leur dispersion sur la pelouse. Le design de carter à décharge latérale permet une coupe efficace même si l'herbe est haute, le rendant idéal pour les espaces plus étendus où une tonte rapide est essentielle. Pour une tonte optimale, réglez la vitesse de la lame sur la vitesse la plus élevée (s'il y a lieu). Si le moteur ralentit, réduisez la vitesse de conduite. Une vitesse de conduite inférieure rehausse l'efficacité des lames et évite les problèmes de coupe. Choisissez la tonte par décharge latérale pour une herbe de 7-12 cm (3-5 po.). Évitez de couper plus de 2,5 cm (1 po.) à la fois.

7.6.2 MULCHING

Le mulching offre des avantages différents, une herbe finement coupée et le retour des coupures dans le sol. N'oubliez pas : le mulching fonctionne mieux sur une herbe sèche et d'une hauteur modérée. Pour un mulching réussi, réglez la vitesse de lame sur la vitesse la plus élevée (s'il y a lieu) et optez pour la vitesse de conduite la plus lente. Vous assurez ainsi des coupures fines. Pendant le mulching, conduisez environ à la moitié de la vitesse de dispersion.

Longueur de coupures optimale

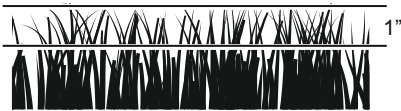
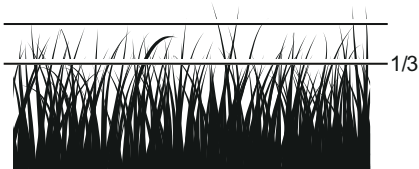
Dans l'idéal pour le mulching, taillez uniquement $\frac{1}{2}$ - $\frac{3}{4}$ po. au sommet de l'herbe pour obtenir des coupures se décomposant facilement. Expérimentez avec la hauteur de coupe selon votre climat, la saison et l'épaisseur de la pelouse. Comme toujours, tondez judicieusement et réfléchissez aux conditions uniques de votre pelouse pour le summum des résultats.

7.7 RECOMMANDATIONS DE TONTE

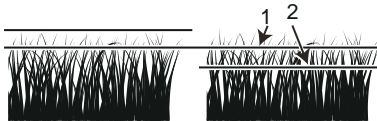
De multiples facteurs affectent l'efficacité de la tonte de votre tondeuse. Le respect des consignes de tonte rehausse les performances et la longévité.

7.7.1 HAUTEUR DE L'HERBE

La hauteur de coupe dépend des préférences. Normalement, tondez quand l'herbe est haute de 7-12 cm (3-5 po.). La hauteur appropriée varie selon le type d'herbe, la pluie, la température et la santé de la pelouse. Une coupe trop courte affaiblit l'herbe et la laisse exposée en cas de sécheresse et face aux nuisibles. Une herbe un peu plus longue est moins exposée aux dommages. Une pousse plus longue par des conditions chaudes et sèches réduit la contrainte thermique, préserve l'humidité et protège contre les dommages. Le maintien d'une herbe trop longue entraîne un gazon peu fourni et des problèmes. Ne coupez pas trop à la fois. Respectez la règle 1/3 : taillez un maximum de 1/3 et pas plus de 2,5 cm (1 po.) à la fois.



La capacité de tonte dépend du système de tonte de votre choix. La dispersion avec les carters de décharge latérale traite davantage d'herbe que le mulching. L'herbe haute exige une coupe progressive. Si l'herbe est très haute, commencez par la hauteur maximum (1) puis baissez pour le second (2) ou le troisième passage. Évitez de laisser un excès de coupures au sommet de l'herbe. Pensez à un système de collecte d'herbe ou au compostage. N'oubliez pas : différents systèmes sont adaptés à différentes situations.



7.7.2 QUAND ET À QUELLE FRÉQUENCE TONDERE

Le moment et l'état de l'herbe influencent significativement les résultats de la tonte. Respectez les consignes suivantes pour le summum des résultats :

- Tondez quand la hauteur de l'herbe est entre 7-12 cm (3-5 po.).
- Utilisez des lames affûtées pour la précision. Les coupures courtes inférieures à 2,5 cm (1 po.) se décomposent plus vite et les lames affûtées évitent les bords déchirés.
- Choisissez un moment frais et sec de la journée pour la tonte, en fin d'après-midi ou en début de soirée.
- Évitez de tondre après la pluie ou une rosée importante. Évitez le mulching avec de l'herbe mouillée car elle s'amasse sous le carter de tondeuse et le mulching devient inefficace.

8 TRANSPORT

8.1 TRANSPORT DE LA TONDEUSE

▲ ATTENTION

Ne remorquez pas cette tondeuse au risque d'endommager le système d'entraînement.

▲ AVERTISSEMENT

Ne chargez pas la tondeuse sur un camion ou une remorque avec deux rampes séparées. Utilisez uniquement une seule rampe large d'au moins 30 cm (1 pi.) de plus que la largeur des roues arrière de la tondeuse. Les roues arrière pourraient chuter des rampes ou l'unité pourrait basculer blessant l'opérateur ou les badauds. Veillez à ce que le carter de coupe soit relevé sur la position la plus élevée afin de ne pas être piégé sur la rampe.

1. Stationnez la tondeuse sur une surface plane.
2. Relevez le plateau de coupe à la position la plus haute.
3. Positionnez et fixez la rampe à la remorque conformément aux instructions du fabricant.
4. Utilisez une rampe de chargement de pleine largeur, au moins 1 ft. plus large que la tondeuse, afin de réduire le risque de sortie de la rampe par les côtés.
5. Reculez lentement la tondeuse sur la rampe et dans la remorque.
6. Après le chargement, abaissez complètement le carter de tondeuse.
7. Serrez le frein de stationnement.
8. Fixez la tondeuse au besoin à l'aide de sangles ou de câbles pour éviter tout mouvement pendant le transport.

▲ AVERTISSEMENT

Pour éviter tout démarrage ou mouvement accidentel qui pourrait entraîner des blessures graves, retirez systématiquement la clé de contact et serrez le frein de stationnement lorsque vous transportez la tondeuse.

8.2 TRANSPORT DE BATTERIE LITHIUM-ION

Le ministère américain des Transports et les autorités de transport international exigent que les batteries au lithium-ion soient transportées dans un emballage spécial et uniquement par des transporteurs certifiés pour les transporter. Aux États-Unis, vous êtes autorisé à transporter une batterie lorsqu'elle est installée sur la tondeuse en tant qu'équipement alimenté par batterie, avec certaines exigences réglementaires. Contactez le ministère américain des Transports ou l'organisme gouvernemental compétent de votre pays pour connaître les réglementations détaillées relatives au transport de votre batterie ou de la tondeuse équipée de cette batterie. Pour des informations détaillées sur l'expédition d'une batterie, contactez votre concessionnaire d'entretien Greenworks agréé.

8.3 DÉPLACEMENT MANUEL DE LA TONDEUSE

Pour pousser la tondeuse manuellement :

1. Débrayez les lames de la tondeuse, appuyez sur la pédale de frein de stationnement et maintenez-la enfoncée, puis appuyez à fond sur la pédale de frein pour serrer le frein de stationnement.
2. Tournez la clé en position OFF. Retirez la clé et attendez l'arrêt de toutes les pièces mobiles avant de quitter le poste de travail.
3. Relâchez le frein de stationnement.
4. Déplacez la tondeuse à l'endroit souhaité.

▲ ATTENTION

Pour éviter d'endommager le moteur et le système d'entraînement, ne déplacez pas le produit à plus de 8 km/h (5 mph).

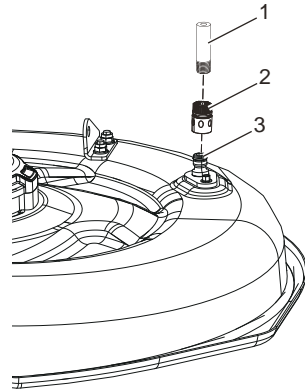
9 NETTOYAGE ET ENTREPOSAGE

9.1 NETTOYAGE DU PRODUIT

- Enlevez toute accumulation d'herbe et de feuilles sur ou autour du capot du moteur (n'utilisez pas d'eau).
- Essayez de temps en temps la tondeuse avec un chiffon sec.
- Si des débris s'accumulent sous la tondeuse durant l'usage, arrêtez le moteur sur un sol de niveau,

désengagez l'interrupteur PDF, serrez le frein de stationnement, éteignez le produit, retirez la clé de contact et utilisez de l'air comprimé pour nettoyer la zone.

9.2 NETTOYER LE CARTER DE TONDEUSE



- Préparez la tondeuse en la stationnant, en serrant le frein et en abaissant le carter de tondeuse.
- Connectez le flexible (1) avec l'accouplement rapide (2) sur le port de lavage (3), ouvrez l'eau, démarrez les lames de tondeuse avec une vitesse élevée et rincez sous le carter environ une minute.
- Terminez le nettoyage en dégageant les lames de tondeuse, en coupant l'eau et en déconnectant le flexible.
- Rangez l'accouplement rapide pour utilisation ultérieure.
- Éteignez complètement la tondeuse.

9.3 ENTREPOSAGE DU PRODUIT

Les mesures suivantes doivent être prises afin de préparer le produit pour son entreposage.

- **Nettoyez la tondeuse** : Avant l'entreposage du produit, nettoyez-le soigneusement comme indiqué à la section précédente.
- **Inspection et maintenance des lames** : Inspectez les lames et remplacez-les comme détaillé à la section **Entretien des lames de tondeuse** (Référence 10,7) si nécessaire.
- **Éviter les substances corrosives** : Maintenez la tondeuse à l'écart des substances corrosives comme les fertilisants ou le sel gemme, des causes de rouille et de corrosion des composants métalliques comme les lames, le carter, le moteur et le châssis. Maintenez la tondeuse et sa batterie à l'écart des substances et matériaux conducteurs ou corrosifs pour réduire le risque de court-

- circuit, d'incendie, d'explosion et autres dangers électriques.
- **Sécurité des enfants** : Rangez le produit à un endroit inaccessible pour les enfants afin d'éviter les accidents.
 - **Couverture correcte** : Ne couvrez pas le produit avec un film plastique solide. Les couvertures plastiques peuvent piéger l'humidité, une cause de rouille et de corrosion.
 - **Contrôle de l'usure et du vieillissement** : Inspectez soigneusement la tondeuse pour détecter si une pièce est usée ou endommagée et nécessite un remplacement.
 - **Maintenance des pneus** : Évitez le dégonflage des pneus durant le stockage.

- **Environnement de stockage** : Rangez le produit dans un endroit propre, sec et bien ventilé. Notez que le chargeur de batterie ne peut pas être utilisé dans un environnement humide.
- **Processus de charge** : Référez-vous à la section **Mise en charge** (Référence 10,3) ainsi qu'au Manuel du chargeur de batterie pour des instructions complètes sur l'usage du chargeur et la charge efficace de la batterie.

En respectant ces consignes, vous contribuez à maximiser la longévité de votre tondeuse durant les périodes de stockage.

10 ENTRETIEN

10.1 SÉCURITÉ DE LA MAINTENANCE

- Des étapes spécifiques s'imposent pour effectuer les procédures d'entretien et de maintenance en toute sécurité.
- Lisez et respectez l'ensemble des messages de sécurité et d'instruction applicables dans ce manuel.
- Vous devez systématiquement désengager les lames de tondeuse, engager le frein de stationnement, éteindre la tondeuse, retirer la clé de contact, retirer les batteries et attendre que tous les mouvements cessent avant d'effectuer les procédures d'entretien et de maintenance.
- Portez un équipement de protection individuelle approprié comme des chaussures de sécurité, des lunettes de sécurité, des gants et une protection auditive. Les cheveux longs, les vêtements amples ou les bijoux peuvent s'emmêler dans les pièces mobiles. Attachez les cheveux au-dessus du niveau des épaules avant de débiter le travail.
- L'usage de pièces qui ne sont pas autorisées ou agréées par Greenworks peut causer des blessures graves, voire mortelles, ou des dégâts matériels.

10.2 MAINTENANCE DE LA BATTERIE

La tondeuse est alimentée par des batteries lithium-ion qui, lorsqu'elles sont entretenues correctement, vous assurent des années de vie utile. Pour un entretien approprié, respectez les instructions suivantes :

- Chargez systématiquement les batteries après chaque utilisation. Une décharge profonde raccourcit la vie utile de la batterie et risque d'entraîner des dommages permanents. Si un cycle de charge complet est impossible immédiatement après la coupe, un cycle de 5-10 minutes contribue à préserver la santé de la batterie. Rechargez la batterie à fond dans les 24 heures suivant son usage. Pour préserver une bonne calibration, faites fonctionner et chargez la tondeuse au moins une fois par mois. Effectuez une charge complète tous les six mois.
- Empêchez l'herbe, la saleté et les débris de s'accumuler dans la zone de la batterie.
- Chargez la batterie dans un endroit sec et fermé, à l'abri des étincelles et des flammes. N'exposez jamais le chargeur à la pluie, aux vapeurs d'eau ou à d'autres liquides.
- Ne touchez pas la partie non isolée du chargeur (broches de connexion) ou le connecteur de sortie.
- N'utilisez pas le chargeur si les cordons sont endommagés.
- Veuillez vous référer au Manuel de la batterie pour en savoir plus sur les batteries.
- Pour maximiser la vie utile de la batterie, assurez-vous de la charger à fond après chaque utilisation. C'est spécialement crucial quand les températures chutent sous 32°F (0°C).

10.2.1 MAINTENANCE DE ROUTINE

La maintenance de routine devrait inclure le nettoyage et l'inspection.

- Durant le processus de charge de la batterie :
 - Assurez-vous que la fiche de charge se connecte à fond en toute sécurité dans la prise.
 - Assurez-vous que le chargeur fonctionne sans pannes.
 - Corrigez toutes les pannes et faites-les réparer avant la charge.

- Durant le fonctionnement de la tondeuse et pendant la charge de la batterie, maintenez le port de charge à l'écart de l'eau et des autres matériaux conducteurs. Ne chargez jamais si la tondeuse est humide.
- Le temps de charge dépend de plusieurs facteurs, notamment l'état de la batterie, la température ambiante et d'autres facteurs. Surveillez la batterie pour détecter un fonctionnement ou un comportement anormal.

10.3 MISE EN CHARGE

10.3.1 RECHARGEZ LA BATTERIE

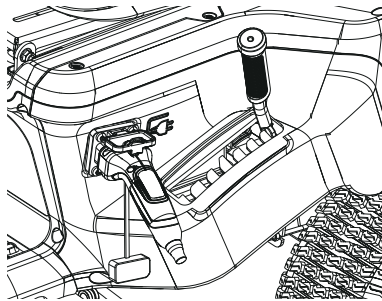
Les batteries peuvent être chargées séparément à l'aide d'un chargeur spécifique (non fourni).

Reportez-vous au manuel de la batterie pour en savoir plus sur la recharge des batteries.

10.3.2 CHARGEZ LE PRODUIT

Ouvrez le couvercle du port pour commencer la recharge et refermez le couvercle une fois la recharge terminée afin de réduire le risque de décharge électrique.

1. Ouvrez le cache de port du port de charge de batterie sur la tondeuse.
2. Branchez le chargeur sur le port de recharge de la batterie.
3. Branchez le chargeur dans une prise électrique.
4. Lorsque la tondeuse est en charge, l'affichage numérique indique le pourcentage de batterie.



▲ AVERTISSEMENT

Consultez le manuel du chargeur pour connaître les avertissements et instructions concernant la recharge. Lisez et assurez-vous de comprendre tous les avertissements et toutes les instructions de sécurité. Le non-respect de ces consignes peut entraîner une décharge électrique, un incendie et/ou des blessures graves.

▲ AVERTISSEMENT

Pour réduire le risque d'incendie et d'explosion, maintenez les flammes nues et les étincelles à l'écart de la tondeuse et de sa batterie. Assurez une ventilation appropriée autour de la tondeuse durant la charge.

Recommandations de charge :

- La batterie n'a pas besoin d'être complètement déchargée avant sa recharge. Pour préserver un état correct de calibration de charge, faites fonctionner et chargez la tondeuse au moins une fois par mois. Effectuez une charge complète tous les six mois.
- Une batterie laissée déchargée se décharge lentement. Avant la première utilisation chaque printemps, assurez-vous que la batterie est complètement chargée avant de commencer à tondre.
- Vérifiez la batterie tous les six mois et chargez-la si le niveau de puissance est inférieur à 50%.
- Si le pourcentage de la batterie est inférieur à 5%, les lames en fonctionnement s'arrêteront automatiquement. La vitesse de conduite maximale ne doit pas dépasser 2,5 mi/h. Le produit doit être chargé immédiatement.

10.4 PROGRAMMES DE MAINTENANCE RECOMMANDÉS

Intervalle d'entretien de maintenance	Procédure de maintenance
Avant chaque usage ou quotidiennement	<ul style="list-style-type: none"> • Inspectez les lames. • Vérifiez la pression des pneus. • Vérifiez les contacts des interrupteurs et freins. • Recherchez les signes de détérioration et d'effilochage sur l'isolation. • Nettoyez sous le carter de coupe. Nettoyez la zone sous le siège de l'opérateur et à proximité de la batterie. Retirez tous les débris, coupures d'herbe et feuilles du produit avant de débiter le travail.
Avant le stockage	<ul style="list-style-type: none"> • Retirez la clé et la batterie du produit. • Effectuez toutes les procédures de maintenance et nettoyez soigneusement le produit. • Inspectez l'ensemble du produit pour identifier les pièces endommagées, manquantes ou desserrées. Remplacez-les ou serrez-les avant le stockage. • Peignez les surfaces écaillées.
Après les 100 premières heures	<ul style="list-style-type: none"> • Vérifiez les écrous de roue.

10.5 CONTRÔLEZ LA PRESSION DES PNEUS

Pour une tonte uniforme, il est crucial que tous les pneus maintiennent la pression d'air correcte. Consultez la table suivante pour les pressions recommandées.

Note : *Mesurez ou ajustez la pression des pneus uniquement s'ils sont froids ou n'ont pas roulé récemment.*

Roues motrices	14 psi
Roues avant	40 psi

Note : *Inspectez les pneus tous les jours. Remplacez-les immédiatement s'ils sont endommagés.*

▲ AVERTISSEMENT

Vérifiez soigneusement la pression des pneus pendant le gonflage. Le surgonflage d'un pneu peut entraîner son éclatement, causant des blessures graves.

10.6 VALEURS DE COUPLE

▲ AVERTISSEMENT

Une attention particulière doit être accordée au serrage des écrous de roue d'entraînement et des boulons de l'axe de la lame. Si ces éléments ne sont pas serrés correctement, une roue ou une lame pourrait être perdue, ce qui pourrait provoquer des dommages graves ou des blessures.

Les valeurs de couple sont indiquées ci-dessous :

Pièce	Pi-lb	N.m
Écrous de roue	66-73	90-100
Boulons d'axe de lame	115-118	155-160

Écrous de roue uniquement : Il est recommandé de les vérifier après les 2 premières heures de fonctionnement initialement puis toutes les 100 heures et après leur retrait pour réparation ou remplacement.

10.7 ENTRETIEN DES LAMES DE TONDEUSE

10.7.1 ENTRETIEN DES LAMES DE LA TONDEUSE

Inspectez les lames de tondeuse quotidiennement. Elles sont cruciales pour l'efficacité énergétique et une tonte optimale. Assurez-vous qu'elles sont affûtées. En effet, une lame émoussée peut déchirer au lieu de couper, entraînant en quelques heures une apparence marron et déchiquetée de l'herbe. De plus, une lame émoussée nécessite plus de puissance. Remplacez toute lame pliée, fissurée ou brisée.

▲ AVERTISSEMENT

N'essayez jamais de redresser une lame courbée en la chauffant, ni de souder une lame fissurée ou cassée, car la lame peut se briser et causer des blessures graves. Remplacez les lames usées ou endommagées.

▲ AVERTISSEMENT

Ne travaillez jamais avec les lames si la clé de contact est dans l'interrupteur d'allumage. Tournez la clé de contact en position OFF et retirez les batteries du produit. Soutenez la tondeuse avec des chandelles certifiées pour travailler dessous. Portez des gants lorsque vous manipulez les lames. Vérifiez toujours si les lames sont endommagées si la tondeuse heurte une pierre, une branche ou un autre objet étranger!

- La voile de la lame (partie incurvée) doit être dirigée vers le haut, vers l'intérieur du plateau, pour assurer une coupe correcte.
- Faites tourner les lames après les avoir installées pour éviter que les pointes des lames ne se touchent entre elles ou ne touchent les côtés de la tondeuse.
- Assurez-vous du couple de serrage correct du boulon pour éviter une perte de lame potentielle, pouvant causer des blessures graves.
- Les lames de la tondeuse sont tranchantes et capable de couper. Portez systématiquement des gants et soyez extrêmement prudent durant l'entretien.

10.7.2 RETIRER LES LAMES

▲ AVERTISSEMENT

Les lames de tondeuse sont affûtées. Portez systématiquement des gants de protection lorsque vous manipulez des lames de tondeuse ou travaillez à proximité.

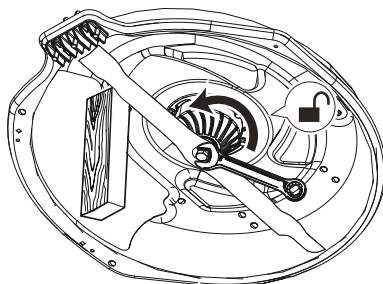
1. Stationnez la tondeuse sur une surface plane et serrez le frein de stationnement. Éteignez la tondeuse et retirez la clé et les batteries.
2. Relevez le plateau de coupe à sa position la plus haute pour permettre l'accès aux lames.

Note : Si nécessaire, soulevez la tondeuse en la plaçant sur un élévateur certifié ou avec un cric et des chandelles. Vous pouvez aussi retirer le carter de coupe pour accéder aux lames. Veillez à ce que les chandelles empêchent le produit de bouger. N'utilisez que des chandelles certifiées, par paire, et respectez les instructions du fabricant.

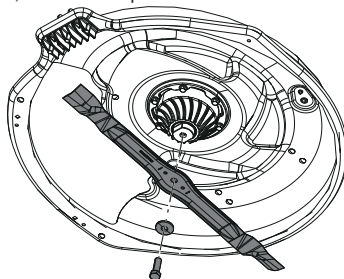
▲ AVERTISSEMENT

Si vous soulevez la tondeuse pour accéder aux lames, assurez-vous que la tondeuse est correctement attachée et que le frein de stationnement est serré avant de continuer. Si la tondeuse n'est pas correctement attachée, elle risque de tomber, ce qui peut entraîner la mort ou des blessures graves.

3. Placez un bloc de bois entre la lame et le plateau de la tondeuse pour empêcher la lame de tourner durant votre travail.



4. Desserrez l'écrou de la lame en le tournant dans le sens inverse des aiguilles d'une montre (vu du dessous de la tondeuse) à l'aide d'une clé ou d'une douille de 24 mm (non fournie).
5. Retirez le boulon de lame, l'espaceur, la lame et le porte-lame.



10.7.3 INSPECTION DES LAMES DE TONDEUSE

Une lame de tondeuse usée ou endommagée risque de se briser, entraînant la projection de fragments dans la zone de l'opérateur ou des badauds et causant des blessures graves, voire mortelles. Inspectez avant chaque usage. Cessez le fonctionnement si la tondeuse heurte un objet et recherchez les dommages.

▲ AVERTISSEMENT

Les lames de tondeuse sont affûtées. Portez systématiquement des gants de protection lorsque vous manipulez des lames de tondeuse ou travaillez à proximité.

- Retirez la lame de tondeuse de la tondeuse. Voir **Retrait des lames** (Référence 10,7,2).
- Inspectez les lames de tondeuse pour apprécier si elles sont émoussées et nécessitent un affûtage ou présentent des signes de dommages et devraient être remplacées. Les lames présentant des fissures, de la corrosion, de la rouille, une usure excessive ou un cintrage devraient être mises au rebut.

10.7.4 INSTALLER LES LAMES

▲ AVERTISSEMENT

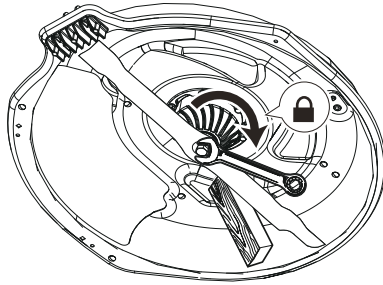
Les lames de tondeuse sont affûtées. Portez systématiquement des gants de protection lorsque vous manipulez des lames de tondeuse ou travaillez à proximité.

1. Installez les lames neuves selon la séquence spécifiée : porte-lame, lame, espaceur et boulon de lame. Assurez-vous que le voile de la lame (partie incurvée) pointe vers le haut, vers l'intérieur du carter.

▲ AVERTISSEMENT

Une orientation incorrecte des lames peut endommager le carter de coupe et affecter la stabilité de la tondeuse et, par conséquent, la sécurité de l'opérateur.

2. Serrez fermement les boulons de lame dans le sens horaire avec une clé à douille ou plate de 24 mm. Serrez-les à 155-160 N.m (115-118 pi-lb).



▲ AVERTISSEMENT

Une orientation incorrecte des lames peut endommager le carter de coupe et affecter la stabilité de la tondeuse et, par conséquent, la sécurité de l'opérateur.

Note : Assurez-vous que toutes les pièces sont replacées dans l'ordre exact selon lequel elles ont été retirées.

11 DÉPANNAGE

PROBLÈME	CAUSE POSSIBLE	ACTION CORRECTIVE
Le produit ne bouge pas.	Il n'y a pas de batterie installée dans le compartiment de batterie ou il ne s'agit pas d'une batterie Greenworks officielle.	Utilisez uniquement une ou des batteries Greenworks officielles. Au moins une est nécessaire pour le fonctionnement.
	La batterie n'est pas chargée.	Rechargez la batterie.
	Personne n'est assis sur le siège ou l'interrupteur de présence d'opérateur fonctionne mal.	Assurez-vous que le conducteur est assis sur le siège ou que le connecteur de câble est correctement enfoncé sur la fiche de siège.
	Le frein de stationnement est enclenché.	Assurez-vous de desserrer complètement le frein de stationnement afin que les roues puissent tourner librement.
	Le compartiment de batterie est en état de veille.	Positionnez la clé de contact sur OFF et attendez plus de 5 secondes avant le redémarrage du produit.
Le produit s'arrête soudainement durant la conduite	La batterie n'est pas chargée.	Utilisez uniquement une ou des batteries Greenworks officielles. Au moins une batterie chargée à fond est nécessaire pour le fonctionnement.
	La conduite dans des conditions de terrain difficiles ou irrégulières peut déconnecter l'interrupteur de présence d'opérateur.	Engagez le frein de stationnement, assurez-vous que le connecteur de câble est fixé en toute sécurité sur la fiche de siège située sous le siège puis redémarrez le produit.
	Défaillance de pédale d'accélérateur.	Contactez le centre d'entretien après-vente Greenworks.
	Défaillance du contrôleur d'entraînement.	Contactez le centre d'entretien après-vente Greenworks.
La lame ne fonctionne pas après avoir actionné l'interrupteur à tirette.	Il n'y a pas de batterie installée dans le compartiment de batterie ou il ne s'agit pas d'une batterie Greenworks officielle.	Utilisez uniquement une ou des batteries Greenworks officielles. Au moins une batterie chargée à fond est nécessaire pour le fonctionnement.
	La puissance de la batterie est inférieure à 5%.	Vérifiez la puissance de la batterie. Si elle est faible, chargez la batterie.
	L'interrupteur de présence de l'opérateur fonctionne mal.	Assurez-vous que le conducteur est assis sur le siège.
	L'interrupteur de lame (PDF) n'est pas sur la position correcte avant la mise sous tension.	Appuyez sur l'interrupteur à tirette puis tirez-le à nouveau vers le haut.
	Blocage de moteur de lames ou autre protection fonctionnelle.	Assurez-vous de l'absence de mauvaises herbes ou de corps étrangers sur le point de connexion entre la lame et le moteur. Il est recommandé de lever le carter et de démarrer la lame pour assurer le fonctionnement normal avant d'ajuster la hauteur de carter.
	Dysfonctionnement du contrôleur d'entraînement.	Vérifiez le code d'erreur à l'affichage. Contactez le centre d'entretien après-vente Greenworks.
La lame s'arrête en tondant l'herbe.	Dysfonctionnement du contrôleur de lames.	Vérifiez le code d'erreur à l'affichage. Contactez le centre d'entretien après-vente Greenworks.
	Moteur de lames surchargé.	Nettoyez l'intérieur du carter, assurez-vous que la rotation de la lame n'est pas anormale, appuyez sur l'interrupteur à tirette, redémarrez le produit et réduisez la charge sur la lame, soit en levant le carter de coupe, soit en réduisant la vitesse de conduite.

PROBLÈME	CAUSE POSSIBLE	ACTION CORRECTIVE
	La température de la batterie est trop élevée.	N'utilisez pas le produit immédiatement après la charge. Sinon, vous risquez de déclencher l'erreur de protection de température de batterie.
	La puissance de la batterie est inférieure à 5%.	Rechargez la batterie.
	La lame est frappée par un objet étranger, ce qui provoque son arrêt soudain.	Positionnez la clé de contact sur OFF et attendez plus de 5 secondes avant le redémarrage du produit.
	Dysfonctionnement du contrôleur d'entraînement.	Vérifiez le code d'erreur à l'affichage. Contactez le centre d'entretien après-vente Greenworks.
La tondeuse coupe l'herbe irrégulièrement et la différence de hauteur est importante.	La lame est émoussée.	Affûtez les lames.
	La lame est tordue.	Remplacez la lame selon les instructions du manuel et portez un équipement de protection.
	Carter irrégulier.	Nivelez le carter.
La hauteur de tonte réelle ne correspond pas à celle réglée.	Les boulons de montage de carter sont desserrés.	Serrez fermement les boulons de montage de carter. Note : Le carter doit être nivelé à nouveau après l'ajustement des boulons de montage.
	Le carter est gravement usé ou endommagé.	Remplacez le carter.
Déchiquetage anormal du produit	L'herbe est trop humide.	Attendez que l'herbe sèche.
	L'herbe est trop haute/ dense.	Levez le carter et tondez en plusieurs passages, en ajustant la hauteur en conséquence.
Vibrations de produit excessives	Les boulons de lame sont desserrés.	Serrez la lame.
	La lame est tordue.	Remplacez la lame tordue selon les instructions du manuel et portez des gants de protection.
	Carter irrégulier.	Nivelez le carter.
	Les boulons de montage de carter sont desserrés.	Serrez fermement les boulons de montage de carter. Note : Le carter doit être nivelé à nouveau après l'ajustement des boulons de montage.
	L'herbe est trop haute/ dense.	Si l'herbe est trop dense et trop haute, relevez le plateau et tentez d'éviter de couper de l'herbe trop lourde.
Il y a de l'herbe ou des débris restants au sol après la tonte.	L'herbe est trop haute/ dense.	Levez le carter et tondez en plusieurs passages, en ajustant la hauteur en conséquence.
	L'herbe est trop humide.	Attendez que l'herbe sèche.
	La vitesse de conduite est trop élevée.	Ralentissez.
	La vitesse de coupe de lame est trop basse.	Augmentez la vitesse de la lame (s'il y a lieu).
Durée de tonte courte	Herbe trop haute /dense.	Levez le carter ou réduisez la vitesse de la lame (s'il y a lieu) pour augmenter l'autonomie de la tondeuse avec une seule recharge.
La tondeuse dévie	Pressions de pneus différentes	Vérifiez régulièrement la pression des pneus arrière de la tondeuse en suivant les instructions du manuel.

PROBLÈME	CAUSE POSSIBLE	ACTION CORRECTIVE
Le produit ne démarre pas après le lavage.	Nettoyage inapproprié causant l'infiltration d'eau dans l'écran d'affichage numérique, le compartiment de batterie ou d'autres composants électroniques.	<ol style="list-style-type: none"> 1. Suivez les instructions pour nettoyer le produit. 2. Si le produit est trempé accidentellement, rangez-le à un endroit sec pendant 12 heures ou séchez-le par soufflage avant le redémarrage. 3. Contactez le centre d'entretien après-vente Greenworks si le problème persiste.
La tondeuse est bloquée.	Des mauvaises herbes et des débris s'accumulent sur le carter.	Suivez les instructions pour nettoyer le produit après chaque utilisation.
Le produit avec le frein de stationnement glisse en pente.	Usure grave des pneus.	Contactez le centre d'entretien après-vente Greenworks pour remplacer les pneus.
	Le frein de stationnement est endommagé ou très usé.	Contactez le centre d'entretien après-vente Greenworks pour remplacer le frein de stationnement.
	Le frein de stationnement est desserré manuellement.	Vérifiez le frein de stationnement et remettez-le en position initiale. Contactez le centre d'entretien après-vente Greenworks si le problème persiste.
Mauvaise direction des roues avant	Vérifiez si des corps étrangers sont coincés dans l'engrenage.	Éliminez les corps étrangers.
	Manque de lubrifiant.	Ajoutez du lubrifiant.
	Vérifiez que la tête de direction et les pièces du palier de joint ne sont pas endommagées ou déformées.	Remplacez les pièces endommagées ou contactez le service après-vente Greenworks.
Dysfonctionnement de l'essieu moteur	Fuites d'huile d'engrenage.	Contactez le centre d'entretien après-vente Greenworks.
	Échauffement du moyeu de roue	
	Bruits inhabituels	
Défaillance de la direction des roues avant	Le jeu de roues engrenées est usé en raison d'une utilisation prolongée.	Remplacez le jeu de roues engrenées.
	Les boulons de la tête de direction et du palier de joint d'articulation sont desserrés.	Vérifiez si les écrous de blocage de la barre de direction sont desserrés. Contactez le centre d'entretien après-vente Greenworks pour demander un serrage.

FR 12 DONNÉES TECHNIQUES

No de modèle		CRT306	CRT308 (7426902)	CRT308 (7427802)
Voltage		60 V	80 V	80 V
Longueur		64,8 po./164,7 cm		
Hauteur		41,7 po./106 cm		
Largeur (avec la goulotte d'éjection)		43 po./109 cm		
Largeur du plateau		43 po./109 cm		
Vitesse de conduite		6 mph		
Tonte	Vitesse en marche avant	2,5/4,5 mph		
	Vitesse en marche arrière	2,5 mph		
Vitesse de lame		2300 tr/min		
Vitesse à vide		2300 tr/min		
Temps de charge		3 h (avec un chargeur de 600 W)	3 h (avec un chargeur de 600 W)	3 h (avec un chargeur de 600 W)
Chargeur modèle		CV30KWC et autres séries CAC	CAB80012 et autres séries CAB	CAB80012 et autres séries CAB
Modèle de batterie		LB6081, LB6042 et autres séries BAC	BAB742 et autres séries BAB	BAB742, BAB743 et autres séries BAB

Chargeur et état de la batterie recommandés :

Température de stockage de produit		32 °F ~ 95 °F (0 °C ~ 35 °C)
Température de fonctionnement de produit		7 °F ~ 104 °F (-14 °C ~ 40 °C)
Température de stockage de bloc-batterie	moins d'un mois	32 °F ~ 122 °F (0 °C ~ 50 °C)
	moins de trois mois	32 °F ~ 104 °F (0 °C ~ 40 °C)
	plus de trois mois	32 °F ~ 68 °F (0 °C ~ 20 °C)
Température d'utilisation du chargeur		32 °F ~ 104 °F (0 °C ~ 40 °C)
Température de charge de bloc-batterie		32 °F ~ 104 °F (0 °C ~ 40 °C)
Température de décharge de bloc-batterie		7 °F ~ 104 °F (-14 °C ~ 40 °C)

13 GARANTIE

Greenworks garantit par la présente ce produit, à l'acheteur original avec preuve d'achat, pour une période de quatre (4) ans contre tout défaut de matériaux, de pièces ou de main-d'œuvre, ou 200 heures d'utilisation (selon la première éventualité) contre les défauts de matériaux, de pièces ou de fabrication. Greenworks, à sa propre discrétion, réparera ou remplacera toutes les pièces défectueuses, dans des conditions normales d'utilisation, sans frais pour le client. Cette garantie n'est valable que pour les

appareils qui ont été utilisés à des fins personnelles, qui n'ont pas été loués à des fins industrielles ou commerciales et qui ont été entretenus conformément aux instructions du manuel du propriétaire fourni avec le produit neuf.

13.1 ARTICLES NON COUVERTS PAR LA GARANTIE :

1. Tout ce qui a été transféré à un nouveau propriétaire. Cette garantie s'applique uniquement à l'acheteur d'origine d'un détaillant ou revendeur

Greenworks agréé. Cette garantie n'est pas transférable.

2. Toute pièce qui est devenue inopérante en raison d'une mauvaise utilisation, d'une utilisation commerciale, d'un abus, d'une négligence, d'un accident, d'un entretien inapproprié ou d'une modification; ou
3. S'il n'a pas été utilisé et/ou entretenu conformément au manuel du propriétaire; ou
4. Usure normale.
5. Les pièces ou les services d'entretien courant incluent, mais sans s'y limiter: les lubrifiants, l'usure du siège de la tondeuse, l'affûtage des lames, les roues, les gradins, les roues anti-scalp, les lames ainsi que tout accessoire ou accessoire optionnel.
6. Détérioration normale du fini extérieur due à l'utilisation ou à l'exposition.
7. Dommages ou pannes résultant, mais pas uniquement: de l'immersion dans l'eau ou d'autres liquides, ts, mauvaise utilisation, négligence ou manque d'installation appropriée, et entretien et stockage appropriés.
8. Un article qui n'a pas été enregistré sur un site Web Greenworks autorisé (voir les renseignements d'enregistrement avec le code QR ou ceux sur la page du produit pour un enregistrement correct du produit).

13.2 LIGNE D'ASSISTANCE TÉLÉPHONIQUE

Le service de garantie est disponible en appelant notre ligne d'assistance téléphonique sans frais, au 1-855-345-3934.

13.3 FRAIS DE TRANSPORT :

Les frais de transport pour le déplacement de tout équipement motorisé ou accessoire sont à la charge de l'acheteur. Il incombe à l'acheteur de payer les frais de transport pour toute pièce retournée pour remplacement en vertu de la présente garantie, à moins qu'un tel retour soit demandé par écrit par .

Adresse aux États-Unis :

Greenworks Tools

P.O. Box 1238

Mooresville, NC 28115

Adresse au Canada :

Greenworks Tools Canada Inc.

P.O. Box 93095, Newmarket, Ontario

L3Y 8K3

14 GREENWORKS ENREGISTREMENT DE PRODUIT

NOM :			
ADRESSE :			
VILLE :	ÉTAT/PROVINCE :	CODE POSTAL :	PAYS :
NUMÉRO DE TÉLÉPHONE :		NUMÉRO DE TÉLÉPHONE CELLULAIRE :	
DATE DE L'ACHAT :		ACHAT EFFECTUÉ AUPRÈS DE :	

15 NUMÉRO(S) DE SÉRIE

Veuillez indiquer le ou les numéros de série ci-dessous avec les renseignements sur le modèle :

DESCRIPTION	NO. DE MOD-ÈLE	NO. DE PIÈCE	NO. DE SÉRIE	DATE D'ACHAT

16 ERREURS

Le système CANBUS agit pour protéger l'utilisateur et le produit lorsqu'il détecte un problème. Lorsqu'il éteint le produit ou un composant, cela indique qu'une erreur s'est produite et l'indique sur l'affichage numérique. Toutes les erreurs électriques ont un code de lettre suivi d'un chiffre. La première lettre décrit le système qui a provoqué l'erreur selon ce tableau :

Nom	Signification
T	Contrôleur d'entraînement et moteur
PMU	Unité de gestion de l'énergie (dans le compartiment de la batterie)
M	Contrôleur de lame et moteur

16.1 CODE D'ERREUR

Code d'erreur	Description	Solution
T2	Calage de moteur d'entraînement	Vérifiez si les roues d'entraînement sont bloquées et redémarrez l'alimentation électrique.
T5	Erreur d'encodeur de moteur	Vérifiez que le connecteur du contrôleur d'entraînement est bien connecté puis restaurez l'alimentation électrique.
T6	Perte de phase de contrôleur	Vérifiez que les câbles de moteur du contrôleur d'entraînement sont bien connectés puis redémarrez l'alimentation électrique.
T7	Erreur de circuit ouvert MOS-FET	Si vous rencontrez ce problème, contactez votre distributeur pour une solution.
T8	Sous-tension de contrôleur	La tension est trop basse. Chargez la batterie avant usage.
T9	Surtension de contrôleur	La tension est trop élevée. Redémarrez l'alimentation électrique.
T12	Surchauffe de moteur	La température du moteur est trop élevée. Attendez que le moteur refroidisse puis redémarrez l'alimentation électrique.
T13	Surchauffe de contrôleur	La température du contrôleur est trop élevée. Attendez que le contrôleur refroidisse puis redémarrez l'alimentation électrique.
T15	Surintensité matériel	La charge est trop élevée. Redémarrez l'alimentation électrique.
T16	Erreur de l'accélérateur	Vérifiez que l'accélérateur du levier est bien branché, puis restaurez l'alimentation électrique.
T19	Erreur de séquence de fonctionnement	Ne pressez pas la pédale d'accélérateur lors du démarrage du produit.
T23	Défaillance de communication (PMU) de compartiment de batterie	Défaillance de communication avec le compartiment de batterie. Redémarrez l'alimentation électrique.
T24	Défaillance (PMU) de compartiment de batterie	Erreur mineure /majeure dans compartiment de batterie. Contrôlez puis redémarrez l'alimentation électrique.
T31	Fonctionnement anormal de l'interrupteur du siège	Vérifiez que le connecteur sous le siège est bien connecté puis redémarrez l'alimentation électrique.
T32	Erreur d'authentification du logiciel	Redémarrez l'alimentation électrique.
T63	Défaut du capteur de température du moteur d'entraînement	Vérifiez si le connecteur 6 broches du moteur d'entraînement est correctement connecté. Si l'erreur n'est pas effacée après le redémarrage, veuillez contacter votre distributeur pour obtenir une solution.
M2	Calage de moteur d'entraînement	Vérifiez si les roues d'entraînement sont bloquées et redémarrez l'alimentation électrique.
M3	Protection à basse vitesse du moteur	Redémarrez l'alimentation électrique.
M4	Protection contre la sur-vitesse du moteur	Redémarrez l'alimentation électrique.
M6	Perte de phase de contrôleur	Vérifiez que les câbles de moteur du contrôleur d'entraînement sont bien connectés puis redémarrez l'alimentation électrique.
M7	Erreur de circuit ouvert MOS-FET	Si vous rencontrez ce problème, contactez votre distributeur pour une solution.
M8	Sous-tension de contrôleur	La tension est trop basse. Chargez le bloc-batterie avant usage.
M9	Surtension de contrôleur	La tension est trop élevée. Redémarrez l'alimentation électrique.

Code d'erreur	Description	Solution
M13	Surchauffe de contrôleur	La température du contrôleur est trop élevée. Attendez que le contrôleur refroidisse puis redémarrez l'alimentation électrique
M15	Surintensité matériel	La charge est trop élevée. Redémarrez l'alimentation électrique.
M19	Erreur de séquence de fonctionnement	Remettez l'interrupteur de démarrage des lames en position initiale. Vérifiez que l'interrupteur de collecte de l'herbe est correctement connecté et si le sac collecteur d'herbe ou le couvercle arrière appuie sur l'interrupteur de collecte de l'herbe. Asseyez-vous sur le siège et réessayez.
M26	Erreur temporisation CAN - entraînement	Erreur de communication avec le contrôleur d'entraînement. Redémarrez l'alimentation électrique.
M31	Signal anormal de l'interrupteur de démarrage des lames	Vérifiez que l'interrupteur de démarrage de lames est bien connecté, puis remettez l'interrupteur en position initiale.
M33	Signal anormal de l'interrupteur de collecte de l'herbe	Vérifiez que l'interrupteur de collecte de l'herbe est bien connecté.
PMU10	Circuit ouvert dans bloc-batterie dans PMU	Bloc-batterie déconnecté dans compartiment de batterie; les performances du produit peuvent être affectées.
PMU1	Surintensité - Niveau 1	La charge de PMU est trop élevée. L'erreur est automatiquement résolue quand la charge chute.
PMU2	Surchauffe - Niveau 1	La température de PMU est trop élevée. L'erreur est automatiquement résolue quand la température chute.
PMU3	Surchauffe dans le module de rétroaction-- Niveau1	L'erreur est automatiquement résolue quand la température chute.
PMU32	Surintensité Niveau2	La charge de PMU est trop élevée. Redémarrez l'alimentation électrique.
PMU33	Surintensité matériel	La charge de PMU est trop élevée. Redémarrez l'alimentation électrique.
PMU34	Surintensité matériel	Redémarrez l'alimentation électrique.
PMU35	Surchauffe - Niveau 2	La température de PMU est trop élevée. Attendez que la température chute puis redémarrez l'alimentation électrique.
PMU36	Sous-tension	La tension est trop basse. Chargez le bloc-batterie puis réessayez.
PMU37	Surtension	La tension est trop élevée. Redémarrez l'alimentation électrique.
PMU38	Défaillance de sortie d'alimentation électrique	Redémarrez l'alimentation électrique.
PMU39	Surchauffe dans le module de rétroaction-- Niveau2	Attendez que la température chute puis redémarrez l'alimentation électrique.
PMU40	Surchauffe de la résistance de puissance dans le module de rétroaction	Attendez que la température chute puis redémarrez l'alimentation électrique.
PMU41	Aucun bloc-batterie disponible	Vérifiez que vous utilisez le bloc-batterie correct puis redémarrez l'alimentation électrique.
PMU42	Température minimale du bloc-batterie	Assurez-vous que la température ambiante est supérieure à 0 degré Celsius.
PMU43	Erreur de communication de la batterie	Remplacez le bloc-batterie.
PMU44	Erreur d'autotest du microcontrôleur	Redémarrez l'alimentation électrique et contactez votre distributeur pour une solution.

Code d'erreur	Description	Solution
PMU45	Température maximale du bloc-batterie	Attendez que la température chute puis redémarrez l'alimentation électrique.
PMU46	Erreur de circuit d'alimentation	Contactez votre distributeur pour une solution.
PMU47	Erreur de précharge	Redémarrez l'alimentation électrique et contactez votre distributeur pour une solution.
PMU48	Erreur matérielle de précharge	Contactez votre distributeur pour une solution.
PMU49	Erreur de détection de température MOS négative	Contactez votre distributeur pour une solution.
PMU50	Erreur de détection de température du MOS de rétroaction	Contactez votre distributeur pour une solution.
PMU51	Erreur de tension du pilote dans le module de rétroaction	Contactez votre distributeur pour une solution.
PMU52	Erreur de capteur de courant	Contactez votre distributeur pour une solution.
PMU53	Erreur du pilote de la résistance de puissance dans le module de rétroaction	Contactez votre distributeur pour une solution.
PMU54	Polarisation du courant de la barre omnibus	Contactez votre distributeur pour une solution.
PMU55	Erreur matérielle du CAN	Contactez votre distributeur pour une solution.
PMU56	Autre erreur	Redémarrez l'alimentation électrique.
PMU57	Erreur préMOS KSI	Contactez votre distributeur pour une solution.
PMU58	Erreur du couvercle à rabat	Redémarrez et vérifiez le connecteur de l'interrupteur du siège.
PMU59	Erreur MOS KSI	Contactez votre distributeur pour une solution.
PMU61	Le bloc-batterie 1 ne correspond pas	Veuillez sélectionner le bon bloc-batterie.
PMU62	Le bloc-batterie 2 ne correspond pas	Veuillez sélectionner le bon bloc-batterie.
PMU65	Le bloc-batterie 5 ne correspond pas	Veuillez sélectionner le bon bloc-batterie.
PMU66	Le bloc-batterie 6 ne correspond pas	Veuillez sélectionner le bon bloc-batterie.
PMU67	Statut de charge anormal	Vérifiez si la prise de charge est correctement connectée ou vérifiez si la fiche d'entrée du chargeur est correctement insérée.

1	Introducción.....73	8.1	Transporte del cortacésped..... 92
1.1	Descripción del producto..... 73	8.2	Transporte de las baterías de iones de litio..... 92
1.2	Uso previsto..... 73	8.3	Desplazamiento manual del cortacésped..... 92
1.3	Símbolos de seguridad del producto..... 73	9	Limpieza y almacenamiento... 92
1.4	Eliminación de batería segura para el medio ambiente..... 74	9.1	Limpieza del producto..... 92
1.5	Propuesta 65 de California..... 74	9.2	Limpieza de la plataforma del cortacésped..... 93
2	Seguridad..... 74	9.3	Almacenamiento del producto..... 93
2.1	Definiciones de seguridad..... 74	10	Mantenimiento..... 93
2.2	Advertencias de seguridad generales... 74	10.1	Seguridad durante el mantenimiento..... 93
2.3	Advertencias de seguridad para cortacéspedes con conductor sentado.. 76	10.2	Mantenimiento de la batería..... 94
2.4	Lea todas las instrucciones..... 77	10.3	Carga..... 94
3	Desembalaje del producto.....81	10.4	Calendarios recomendados de mantenimiento..... 95
4	Montaje..... 82	10.5	Comprobación de la presión de los neumáticos..... 96
4.1	Instalación del asiento..... 82	10.6	Valores de par..... 96
4.2	Instalación del volante..... 83	10.7	Tareas de servicio de las cuchillas del cortacésped..... 96
4.3	Instalación del conducto de descarga lateral..... 84	11	Solución de problemas..... 99
5	Funciones y controles..... 84	12	Datos técnicos..... 102
5.1	Controles del producto..... 84	13	Garantía..... 102
6	Sistema eléctrico..... 86	13.1	ARTÍCULOS NO CUBIERTOS POR LA GARANTÍA:..... 102
6.1	Seguridad del sistema eléctrico..... 86	13.2	Línea de asistencia telefónica..... 103
6.2	Información del sistema eléctrico..... 87	13.3	COSTES DE TRANSPORTE:..... 103
7	Funcionamiento..... 87	14	Registro de producto de Greenworks..... 103
7.1	Antes del funcionamiento..... 87	15	Número(s) de serie..... 103
7.2	Puesta en marcha del producto..... 88	16	Errores..... 104
7.3	Parada del producto..... 89	16.1	Código de error..... 105
7.4	Funcionamiento del modo de marcha atrás..... 89		
7.5	Corte de hierba..... 90		
7.6	Patrones de segado..... 91		
7.7	Recomendaciones de segado..... 91		
8	Transporte..... 92		

1 INTRODUCCIÓN

1.1 DESCRIPCIÓN DEL PRODUCTO

Este producto es un cortacésped con conductor sentado y funcionamiento a batería que dispone de motores eléctricos.

Nos comprometemos a mejorar continuamente nuestros productos y nos reservamos el derecho a modificar el diseño y el aspecto sin previo aviso.









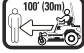


1.2 USO PREVISTO

El producto se ha diseñado para el corte y el mantenimiento eficaz de la hierba en céspedes residenciales y espacios exteriores. No se ha diseñado para ningún otro fin.

1.3 SÍMBOLOS DE SEGURIDAD DEL PRODUCTO

Lea las etiquetas adhesivas de seguridad antes de utilizar el cortacésped. Las advertencias se han desarrollado para su seguridad. Debe entender y seguir todos los adhesivos de seguridad para reducir el riesgo de lesiones personales o daños materiales.

Símbolo	Explicación
IPX4	Protección de salpicaduras de agua.
V	Tensión
kg	Peso
lbs	Peso
n_0	Velocidad rotacional, sin carga
	Indica un riesgo potencial de lesiones personales.
	Para reducir el riesgo de lesiones, el usuario debe leer y entender el manual del operario antes de utilizar este producto.
	Lleve protección auditiva.
	Lleve siempre gafas o anteojos de seguridad con protectores laterales y un protector facial completo cuando utilice este producto.
	No abra ni retire las protecciones de seguridad mientras el producto esté funcionando.

Símbolo	Explicación
	Para reducir el riesgo de lesiones, mantenga las manos y los pies alejados de las piezas giratorias. No utilice a menos que la cubierta de descarga o la bolsa recoge-hierba estén en su posición. En caso de daños, sustituya inmediatamente.
	Se requiere formación profesional antes de utilizar o realizar el mantenimiento del producto.
	No corte el césped cuando haya niños u otras personas alrededor.
	Nunca transporte niños ni ninguna otra persona, ni siquiera cuando las cuchillas estén apagadas.
	Mire siempre hacia abajo y hacia atrás al maniobrar marcha atrás o al girar. Asegúrese de que no haya niños, transeúntes ni mascotas en la zona.
	No remolque este producto para evitar daños en el sistema de transmisión.
	Tenga especial precaución en las pendientes. No siegue en pendientes mayores de 15 grados. No utilice en pendientes cerca de masas de agua.
	Retire los objetos que puedan ser proyectados por la cuchilla en cualquier dirección. Lleve gafas de seguridad.
	Mantenga a los transeúntes al menos a 30 m (100 ft).
	No pise.
	PRECAUCIÓN --- No mire directamente a la lámpara en funcionamiento.

1.4 ELIMINACIÓN DE BATERÍA SEGURA PARA EL MEDIO AMBIENTE



Los materiales tóxicos y corrosivos que figuran a continuación se encuentran en las baterías utilizadas en este producto: **Ion de litio, un material tóxico.**

▲ AVISO

Deseche todos los materiales tóxicos de una manera especificada para evitar la contaminación del medio ambiente. Antes de desechar una batería de iones de litio dañada o agotada, contacte con la agencia local de eliminación de residuos o con la agencia de protección medioambiental local para obtener información e instrucciones específicas. Lleve las baterías a un centro de reciclaje o eliminación local certificado para la eliminación de los iones de litio.

▲ AVISO

Si la batería se agrieta o se rompe, con o sin fugas, no la recargue ni la utilice. Deséchela y sustitúyala por una batería nueva. **¡NO INTENTE REPARARLA!** Para evitar lesiones y riesgos de incendio, explosión o descarga eléctrica, y para evitar daños al medio ambiente:

- Cubra los terminales de la batería con cinta adhesiva resistente.
- NO intente retirar o destruir ninguno de los componentes de la batería.
- NO intente abrir la batería.
- Si se produce una fuga, los electrolitos liberados son corrosivos y tóxicos. NO deje que la solución entre en contacto con los ojos o la piel, y no la ingiera.
- NO deseche estas baterías con la basura doméstica normal.
- NO incinere.
- NO lleve las baterías a lugares donde formarán parte de vertederos de residuos o flujos de residuos sólidos urbanos.
- Lívelas a un centro de reciclaje o eliminación certificado.

1.5 PROPUESTA 65 DE CALIFORNIA

▲ AVISO

ESTE PRODUCTO CONTIENE O EMITE UNA SUSTANCIA QUÍMICA CONOCIDA EN EL ESTADO DE CALIFORNIA COMO CAUSANTE DE CÁNCER O DEFECTOS DE NACIMIENTO U OTROS DAÑOS REPRODUCTIVOS.

2 SEGURIDAD

2.1 DEFINICIONES DE SEGURIDAD

Las advertencias, precauciones y notas se utilizan para señalar partes especialmente importantes del manual.

▲ AVISO

EXISTE UN RIESGO DE LESIONES O MUERTE PARA EL OPERARIO O PARA OTRAS PERSONAS SI NO SE RESPETAN LAS INSTRUCCIONES DEL MANUAL.

▲ PRECAUCIÓN

EXISTE UN RIESGO DE DAÑOS AL PRODUCTO, OTROS DAÑOS MATERIALES O EN LA ZONA ADYACENTE SI NO SE RESPETAN LAS INSTRUCCIONES DEL MANUAL.

Nota: Se utiliza para ofrecer más información de la necesaria en una situación determinada.

2.2 ADVERTENCIAS DE SEGURIDAD GENERALES

▲ AVISO

Lea todas las advertencias de seguridad, instrucciones, ilustraciones y especificaciones que se proporcionan con este producto. El incumplimiento de las instrucciones indicadas a continuación puede provocar descargas eléctricas, incendios o lesiones graves.

Guarde todas las advertencias e instrucciones para su consulta posterior.

El término "producto" empleado en las advertencias se refiere a su producto con funcionamiento de red (con cable) o producto con funcionamiento a BATERÍA (inalámbrico).

2.2.1 SEGURIDAD DE LA ZONA DE TRABAJO

- **Mantenga limpia y bien iluminada la zona de trabajo.** Las zonas desordenadas u oscuras fomentan los accidentes.
- **No utilice el producto en atmósferas explosivas,** como en la presencia de líquidos, gases o

polvo que puedan inflamarse. *El producto genera chispas que pueden inflamar el polvo o los gases.*

- **Mantenga alejados a los niños y los transeúntes mientras utilice el producto.** *Las distracciones pueden hacer que pierda el control.*

2.2.2 SEGURIDAD ELÉCTRICA

- **Los enchufes del producto deben corresponder con la toma de corriente. Nunca modifique el enchufe en modo alguno. No utilice enchufes adaptadores con productos que tengan toma de tierra.** *La utilización de enchufes no modificados y de tomas de corriente adecuadas reducirá el riesgo de descarga eléctrica.*
- **Evite el contacto del cuerpo con superficies conectadas a tierra, como tuberías, radiadores, estufas y refrigeradores.** *Existe un riesgo aumentado de descarga eléctrica si su cuerpo está conectado a tierra.*
- **No exponga el producto a la lluvia ni a condiciones de humedad.** *Si penetra agua en un producto, aumentará el riesgo de descarga eléctrica.*
- **No abuse del cable. Nunca utilice el cable para transportar, tirar o desenchufar el producto. Mantenga el cable alejado del calor, el aceite, los bordes afilados o las piezas móviles.** *Los cables dañados o enredados aumentan el riesgo de descarga eléctrica.*
- **Cuando utilice el producto en exteriores, utilice un cable alargador adecuado para uso en exterior.** *La utilización de un cable adecuado para uso en exterior reduce el riesgo de descarga eléctrica.*
- **Si es inevitable el uso de un producto en un lugar húmedo, utilice un suministro protegido mediante un dispositivo de corriente residual (RCD).** *La utilización de un RCD reduce el riesgo de descarga eléctrica.*
- **No limpie el producto con agua de una manguera o un limpiador a presión.** *Si penetra agua en un producto, aumentará el riesgo de descarga eléctrica.*
- **No utilice el producto bajo la lluvia.** *Si penetra agua en un producto, aumentará el riesgo de descarga eléctrica.*

2.2.3 SEGURIDAD PERSONAL

- **Manténgase alerta, observe lo que está haciendo y emplee el sentido común cuando utilice el producto. No utilice el producto mientras esté cansado o bajo la influencia de drogas, alcohol o medicamentos.** *Un momento de inatención durante el uso del producto puede provocar lesiones personales graves.*
- **Utilice equipos de protección personal. Lleve siempre protección ocular.** *Si se utilizan equipos de protección como máscaras antipolvo, zapatos*

de seguridad antideslizantes, cascos o protecciones auditivas en las condiciones adecuadas, se reducirán las lesiones personales.

- **Evite el arranque accidental. Asegúrese de que el interruptor esté en la posición de apagado antes de conectar a la fuente de alimentación o a la batería, al coger o al transportar el producto.** *El transporte de herramientas eléctricas con el dedo en el interruptor o la conexión de herramientas eléctricas que tienen el interruptor activado fomenta los accidentes.*
- **Retire cualquier llave de ajuste antes de encender el producto.** *Una llave que se quede fijada a una pieza giratoria del producto puede provocar lesiones personales.*
- **No se estire. Mantenga en todo momento una postura adecuada y el equilibrio.** *Esto permite un mejor control del producto en situaciones inesperadas.*
- **Lleve indumentaria adecuada. No lleve ropa o joyas sueltas. Mantenga el cabello y la ropa lejos de las piezas móviles.** *La ropa suelta, las joyas o el cabello largo pueden quedar atrapados en las piezas móviles.*
- **Si se utilizan dispositivos para la conexión de sistemas de extracción y recogida de polvo, asegúrese de que estén conectados y se utilicen correctamente.** *La utilización de sistemas de recogida de polvo puede reducir los riesgos relacionados con el polvo.*
- **No permita que la familiaridad adquirida con el uso frecuente de las herramientas le permita ser confiado e ignorar los principios de seguridad de las herramientas.** *Una acción descuidada puede provocar lesiones graves en una fracción de segundo.*

2.2.4 USO Y CUIDADO DEL PRODUCTO

- **No fuerce el producto. Utilice el producto correcto para su aplicación.** *El producto correcto hará el trabajo mejor y con mayor seguridad a la velocidad para la que se diseñó.*
- **No utilice el producto si el interruptor de encendido no lo enciende y apaga.** *Cualquier producto que no pueda controlarse con el interruptor es peligroso y debe repararse.*
- **Desconecte el enchufe de la fuente de alimentación o retire la BATERÍA, si es extraíble, del producto antes de realizar ajustes, cambiar accesorios o almacenar el producto.** *Estas medidas de seguridad preventivas reducen el riesgo de que el producto se ponga en marcha accidentalmente.*
- **Almacene el producto inactivo fuera del alcance de los niños y no permita que personas que no estén familiarizadas con el producto o estas instrucciones puedan utilizarlo.** *El producto es peligroso en las manos de usuarios inexpertos.*

- **Realice el mantenimiento del producto y los accesorios.** Compruebe si hay desalineación o atasco de las piezas móviles, rotura de piezas y cualquier otra condición que pueda afectar al funcionamiento del producto. Si ha sufrido daños, lleve a reparar el producto antes del uso. *Numerosos accidentes se deben a productos mal mantenidos.*

- **Mantenga limpias y afiladas las herramientas de corte.** *Las herramientas de corte mantenidas correctamente con filos cortantes tienen menos probabilidades de atascarse y son más fáciles de controlar.*
- **Utilice el producto, los accesorios, las brocas, etc., de acuerdo con estas instrucciones, teniendo en cuenta las condiciones de trabajo y el trabajo a realizar.** *El uso del producto para operaciones distintas de las previstas podría dar lugar a una situación peligrosa.*
- **Mantenga las asas y las superficies de agarre secas, limpias y sin restos de aceite y grasa.** *Las asas y las superficies de agarre resbaladizas no permiten un manejo y control seguros del producto en situaciones inesperadas.*
- **Retire la llave o desactive el producto cuando lo deje desatendido.** *El producto es peligroso para los usuarios inexpertos.*

2.2.5 UTILIZACIÓN Y CUIDADO DE HERRAMIENTAS A BATERÍA

- **Recargue solo con el cargador especificado por el fabricante.** *Un cargador adecuado para un tipo de batería crea a un riesgo de incendio cuando se utiliza con otro tipo de batería.*
- **Utilice el producto únicamente con las baterías designadas específicamente.** *El uso de cualquier otra batería puede dar lugar a un riesgo de lesiones e incendio.*
- **Cuando la batería no esté en uso, manténgala alejada de otros objetos metálicos como clips, monedas, llaves, clavos, tornillos u otros objetos metálicos pequeños que puedan hacer una conexión entre los terminales.** *El cortocircuito de los terminales de la batería puede provocar quemaduras o incendios.*
- **Bajo condiciones abusivas, es posible que salga líquido de la batería; evite el contacto.** En caso de un contacto accidental, lavar con abundante agua. Si el líquido entra en contacto con los ojos, acuda también al médico. *El líquido de la batería puede provocar irritación o quemaduras.*
- **No utilice una batería o un producto que haya sufrido daños o modificaciones.** *Las baterías dañadas o modificadas pueden exhibir un comportamiento impredecible que puede causar un incendio, una explosión o un riesgo de lesiones.*
- **No exponga la batería ni el producto al fuego ni a temperaturas excesivas.** *La exposición al fuego*

o a una temperatura superior a 265 °F (130 °C) puede provocar una explosión.

- **Siga todas las instrucciones de carga y no cargue la batería ni el producto fuera del intervalo de temperatura especificado en las instrucciones.** *La carga incorrecta o a temperaturas fuera del intervalo especificado puede dañar la batería y aumentar el riesgo de incendio.*

2.2.6 SERVICIO

- **Solicite a un técnico de reparación cualificado que realice las tareas de servicio del producto utilizando únicamente piezas de repuesto idénticas.** *Esto garantizará el mantenimiento de la seguridad del producto.*
- **Nunca repare las baterías dañadas.** *La reparación de las baterías únicamente debe ser realizada por el fabricante o los proveedores de servicio técnico autorizados.*

2.3 ADVERTENCIAS DE SEGURIDAD PARA CORTACÉSPEDS CON CONDUCTOR SENTADO

- **No utilice el cortacésped con mal tiempo, especialmente cuando exista un riesgo de rayos.** *Esto disminuye el riesgo de ser alcanzado por un rayo.*
- **Inspeccione detenidamente si hay animales salvajes en la zona donde va a utilizarse el cortacésped.** *Los animales pueden sufrir lesiones debidas al cortacésped durante el funcionamiento.*
- **Inspeccione exhaustivamente la superficie donde va a utilizarse el cortacésped y quite todas las piedras, ramas, cables, huesos y otros objetos extraños.** *Los objetos proyectados pueden producir lesiones personales.*
- **Antes del uso del cortacésped, realice siempre una inspección visual para comprobar que la cuchilla y el conjunto de la cuchilla no estén desgastados o dañados.** *Las piezas desgastadas o dañadas aumentan el riesgo de lesiones.*
- **Mantenga las protecciones en su posición.** *Las protecciones deben estar en condiciones de funcionamiento y estar correctamente montadas. Una protección que esté suelta, dañada o que no funcione correctamente puede provocar lesiones personales.*
- **Mantenga libres de residuos todas las entradas de aire de refrigeración.** *Las entradas de aire obstruidas y los residuos pueden provocar un sobrecalentamiento o riesgo de incendio.*
- **Durante el funcionamiento del cortacésped, lleve siempre calzado antideslizante y de protección.** *No utilice el cortacésped si está descalzo o lleva sandalias abiertas. Esto reduce la posibilidad de sufrir lesiones en los pies debido al contacto con la cuchilla en movimiento.*

- Lleve siempre pantalones largos cuando utilice el cortacésped. *La piel expuesta aumenta la probabilidad de lesiones por objetos arrojados.*
- No utilice el cortacésped en pendientes superiores a 15 grados. *Así se reduce el riesgo de pérdida de control, resbalones y caídas que pueden provocar lesiones personales.*
- Cuando trabaje en pendientes, asegúrese siempre de tener un buen equilibrio. *Así se reduce el riesgo de pérdida de control, resbalones y caídas que pueden provocar lesiones personales.*
- No siegue transversalmente cuando utilice el cortacésped en terrenos desnivelados o inclinados. En las pendientes, siegue siempre en dirección ascendente y descendente. *Así se reduce el riesgo de pérdida de control, resbalones y caídas que pueden provocar lesiones personales.*
- No toque las cuchillas ni otras piezas móviles peligrosas mientras aún estén en movimiento. *Esto reduce el riesgo de lesiones por las piezas móviles.*
- Asegúrese de que todos los interruptores de alimentación estén apagados y retire (o active) el dispositivo de desactivación antes de quitar el material atascado o limpiar el cortacésped. *El funcionamiento inesperado del cortacésped puede provocar lesiones personales graves.*
- Extreme las precauciones al dar marcha atrás o tirar del cortacésped hacia usted. Sea siempre consciente de lo que le rodea.
- El usuario y el técnico **DEBEN** revisar detenidamente **TODO**s los procedimientos manuales de reparación relativos a la seguridad, la formación y las precauciones aplicables del fabricante del equipo original (OEM) antes del uso, el mantenimiento y el servicio.

Nota: el usuario y el técnico deben consultar con un profesional sanitario si tienen o llevan:

- Un desfibrilador implantado.
- Un marcapasos cardíaco.
- Una bomba interna de medicación analgésica.
- Una bomba de insulina.
- Audífonos.
- Otros dispositivos médicos.

2.4 LEA TODAS LAS INSTRUCCIONES

▲ PELIGRO

Este cortacésped se ha construido para utilizarse de acuerdo con las normas para un funcionamiento seguro que contiene este manual. Como con cualquier tipo de equipo eléctrico, un descuido o un error por parte del operario puede provocar lesiones graves. Este cortacésped es capaz de amputar partes del cuerpo y de provocar el lanzamiento de objetos. El incumplimiento de las siguientes normas de seguridad podría provocar lesiones graves o incluso la muerte.

▲ AVISO

Siempre deben seguirse precauciones básicas de seguridad al utilizar cortacéspedes para reducir el riesgo de incendio, descarga eléctrica y lesiones personales.

▲ AVISO

La utilización de este cortacésped debe limitarse a las personas que hayan leído y entendido y que respetarán las advertencias e instrucciones impresas en este manual y que se encuentran en el cortacésped.

▲ AVISO

- Lea detenidamente todas las instrucciones en el cortacésped y en el manual antes de intentar montar y utilizar el cortacésped.
- Para un funcionamiento seguro, es necesario leer, entender y seguir todas las instrucciones de este manual.
- Familiarícese con todos los controles y su funcionamiento adecuado. Debe saber cómo detener el cortacésped y cómo desconectar la alimentación en una emergencia.
- Conserve este manual en un lugar seguro para futuras consultas y consúltelo periódicamente.

2.4.1 SEGURIDAD GENERAL

- No utilice el cortacésped con conductor sentado y funcionamiento a batería bajo la lluvia.
- Permita que únicamente adultos responsables y capaces, que estén familiarizados con las instrucciones, manejen este producto.
- El funcionamiento seguro requiere toda su atención y capacidades.
- Mire siempre hacia dónde va y esté atento a su entorno.
- Escuche cómo suena el producto y esté alerta a cualquier cambio.

- Sienta el producto y sus respuestas tanto con relación a sus acciones como al entorno.
- Permanezca centrado en su tarea.
- Lleve siempre una protección ocular adecuada que cumpla las normas de seguridad más recientes a fin de reducir el riesgo de lesiones oculares durante el funcionamiento o la realización de cualquier ajuste o reparación. Consulte la ANSI Z87.1.
- No utilice el producto a menos que la protección de descarga u otros dispositivos de seguridad estén en su posición y en funcionamiento.
- Lleve siempre una máscara facial o antipolvo cuando utilice el cortacésped en un entorno polvoriento.
- Lleve siempre indumentaria adecuada. Se recomienda el uso de guantes protectores y calzado de seguridad.
- Nunca maneje el producto mientras utiliza un teléfono móvil o cualquier otro dispositivo electrónico. El manejo mientras se está distraído puede aumentar el riesgo de lesiones personales graves para el operario y los transeúntes.
- No maneje el equipo si lleva sandalias, calzado de tenis, deportivas, pantalones cortos o cualquier tipo de ropa holgada. Lleve calzado de seguridad, casco, pantalones largos, gafas protectoras y protección auditiva durante el funcionamiento para reducir el riesgo de lesiones personales. Evite la ropa holgada, las joyas y cualquier otra prenda que pueda engancharse en las piezas en movimiento. Sujete el cabello por encima del nivel de los hombros antes de empezar a trabajar.
- Nunca transporte pasajeros y mantenga alejados a los transeúntes.
- Siga las recomendaciones del fabricante para los pesos o contrapesos de las ruedas.

2.4.2 PREPARATIVOS ANTES DEL FUNCIONAMIENTO

- Despeje la zona de trabajo de cualquier objeto que podría salir proyectado a causa del producto o interferir en su funcionamiento.
- Mantenga la zona de funcionamiento libre de transeúntes, especialmente niños pequeños y mascotas. Detenga el producto y los accesorios si alguien entra en la zona.
- No haga funcionar el producto sin que todo el recogehierba, el conducto de descarga u otros dispositivos de seguridad estén colocados y funcionen correctamente. Compruebe con frecuencia si hay signos de desgaste o deterioro y sustituya según sea necesario.
- Lleve equipos adecuados de protección personal, como gafas de seguridad, protección auditiva y calzado.
- No transporte pasajeros en ninguna parte del producto. Mantenga a los animales domésticos y a

los transeúntes fuera de la zona de corte durante el funcionamiento.

2.4.3 FUNCIONAMIENTO

- No maneje nunca un producto con un mantenimiento deficiente. Repare o sustituya los componentes dañados antes de volver a poner en marcha y manejar el cortacésped.
- Mantenga siempre las protecciones de seguridad y las cubiertas en su posición.
- Siga las listas de verificación diarias y semanales, asegurándose de que las conexiones eléctricas estén fijadas y los pernos apretados.
- Nunca utilice el cortacésped sin una protección de trayectoria adecuada, la cubierta de descarga, el control del interruptor u otros dispositivos de seguridad en su posición y en buen estado de funcionamiento. No maneje el cortacésped si los dispositivos de seguridad están dañados; de hacerlo podrían producirse lesiones.
- Minimice la exposición al agua. No conduzca en el agua. No deje bajo la lluvia. No limpie con aire a presión ni con manguera.
- Conduzca siempre con ambas manos. No conduzca con una sola mano.
- Utilice el producto únicamente con luz diurna o con una buena iluminación artificial.
- Evite agujeros, surcos, baches, piedras u otros riesgos ocultos. Los terrenos irregulares pueden hacer que el producto vuelque o que el operario pierda el equilibrio.
- No coloque las manos ni los pies cerca de las piezas giratorias ni debajo del producto. Manténgase alejado en todo momento de la abertura de descarga.
- No dirija el material de descarga hacia nadie. Evite descargar el material contra una pared u obstáculo. El material puede rebotar hacia el operario. Pare las cuchillas al cruzar sobre superficies de gravilla.
- Nunca intente maniobrar a alta velocidad, especialmente en zonas concurridas, congestionadas o en pendientes.
- Ralentice antes de girar.
- Para evitar el contacto con la cuchilla o las lesiones producidas por un objeto proyectado, permanezca en la zona del operario detrás de las asas y mantenga a los niños y a los transeúntes a una distancia de al menos 30 m (100 pies) del cortacésped mientras esté en funcionamiento. Pare el motor inmediatamente si alguien entra en la zona de corte.
- No deje nunca un producto desatendido cuando esté en marcha. Estacione siempre en un terreno llano, desconecte el accesorio, aplique el freno de estacionamiento y pare el producto.
- No coloque las manos ni los pies cerca de las piezas giratorias o debajo de la plataforma de corte.

El contacto con la cuchilla puede amputar manos y pies.

- Si el cortacésped empieza a vibrar de manera excesiva, detenga el motor y compruebe la causa inmediatamente. Normalmente, un exceso de vibración es una señal de que el cortacésped no funciona correctamente.
- Detenga el motor y espere hasta que la cuchilla se detenga por completo antes de desatascar el conducto. La cuchilla de corte seguirá girando durante unos segundos después de apagar el motor. No coloque ninguna parte de su cuerpo en la zona de la cuchilla hasta que esté seguro de que la cuchilla ha dejado de girar.
- Si el cortacésped golpea un objeto extraño, detenga el producto, gire la llave de encendido a la posición de apagado y, a continuación, si es seguro, inspeccione si hay daños.
- No fuerce el cortacésped.
- No utilice el cortacésped para trabajos distintos del previsto.
- No siegue marcha atrás a menos que sea absolutamente necesario. Mire siempre hacia abajo, hacia atrás y hacia los lados antes de cambiar de dirección y al retroceder. Una acción descuidada puede causar la muerte o lesiones graves en una fracción de segundo.

2.4.4 CON RELACIÓN A LOS NIÑOS

- Pueden producirse accidentes trágicos si el operario no está alerta a la presencia de niños. Los niños con frecuencia se sienten atraídos por el producto y la actividad de cortar el césped. Nunca asuma que los niños permanecerán en el último sitio en que les vio.
- Mantenga a los niños fuera de la zona de funcionamiento y bajo la vigilancia de un adulto responsable que no sea el operario.
- No transporte niños, ni siquiera con las cuchillas desactivadas. Los niños podrían caerse y resultar gravemente heridos o interferir con el funcionamiento seguro. Si un niño ha montado en el cortacésped en alguna ocasión anterior, este podría aparecer de repente en la zona de corte para subir otra vez y podría ser atropellado o golpeado por el producto.

2.4.5 USO DE UNA RAMPA

- Al cargar o descargar el producto de un remolque, utilice siempre rampas de anchura completa que sobrepasen la anchura del producto.
- Esto proporciona una superficie de contacto para el bastidor del cortacésped si la unidad empieza a inclinarse hacia atrás. También reduce el riesgo de que una rueda se salga y el producto vuelque.
- No supere un ángulo de 15 grados entre la rampa y el suelo o entre la rampa y el remolque o el camión.

- Familiarícese con los controles del cortacésped y adquiera un uso fluido de los mismos antes de intentar subir o bajar una rampa.
- Utilice el modo de conducción lenta y conduzca con cuidado.
- Evite cualquier movimiento brusco de los controles y utilice solo una aceleración lenta y uniforme.

2.4.6 REMOLCADO

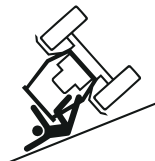
- Remolque únicamente con un producto que tenga un enganche diseñado para remolcar. No fije el equipo a remolcar excepto en el punto de enganche.
- Siga las recomendaciones del fabricante sobre los límites de peso para equipos remolcados y el remolcado en pendientes. (Referencia 7,1,2)
- Nunca permita que niños u otras personas entren o se suban en el equipo remolcado.
- En las pendientes, el peso del equipo remolcado puede provocar la pérdida de tracción y control.
- Desplácese lentamente y deje una distancia adicional para detenerse.

2.4.7 SERVICIO

- Mantenga el producto en buen estado de funcionamiento. Sustituya las piezas desgastadas o dañadas.
- Tenga precaución al realizar tareas de servicio en las cuchillas. Envuelva las cuchillas o lleve guantes. Sustituya las cuchillas que hayan sufrido daños. No repare ni modifique las cuchillas.
- No cargue el cortacésped con conductor sentado bajo la lluvia o en lugares húmedos.
- Almacene los cortacéspedes con conductor sentado inactivos en el interior - Cuando no esté en uso, el cortacésped con conductor sentado debe almacenarse en un lugar interior, seco y cerrado - fuera del alcance de los niños.
- Apague y retire la llave de arranque antes de realizar tareas de mantenimiento, limpieza o retirada de material del cortacésped con conductor sentado.

Guarde todas las advertencias e instrucciones para su consulta posterior.

2.4.8 FUNCIONAMIENTO EN PENDIENTES



Las pendientes son un factor importante relacionado con los accidentes. Durante el funcionamiento en pendientes, es necesario tomar precauciones adicionales. Para reducir el riesgo de lesiones, nunca

utilice el producto en condiciones en las que las ruedas patinen o se deslicen, o en las que la tracción de las ruedas o la estabilidad y el control del cortacésped sean dudosos. El producto puede resbalar, aunque las ruedas estén paradas. Estas condiciones aumentan el riesgo de vuelco.

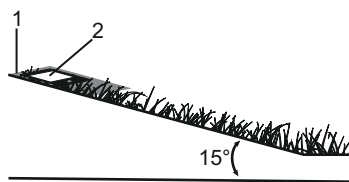
- Nunca utilice el cortacésped en una pendiente de más de 15 grados, es decir, una pendiente que tenga un desnivel de 1,6 m (5,4 pies) en cualquier segmento de 6 m (20 pies). Consulte **Guía de identificación de pendientes** (Referencia 2,4,9) en este Manual del operario.
- Reduzca la velocidad y extreme las precauciones al segar en pendientes. Si no puede retroceder por la pendiente o si se siente incómodo ella, no conduzca en la pendiente.
- Evite girar el producto hacia abajo en pendientes. Gire hacia arriba en pendientes.
- Cuando descienda una pendiente, lleve siempre el producto con una marcha puesta. No descienda en punto muerto.
- Evite arrancar y parar en una pendiente. Evite realizar cambios bruscos de velocidad o dirección. Realice los giros lenta y gradualmente.
- Evite cortar césped resbaladizo, húmedo o blando. El funcionamiento en pendientes mojadas o blandas puede provocar la pérdida de control, lo que puede dar lugar a una caída.
- Tenga especial cuidado cuando utilice el producto con un recogehierba u otros accesorios. Estos pueden afectar a la estabilidad del producto.

2.4.9 GUÍA DE IDENTIFICACIÓN DE PENDIENTES

▲ AVISO

Para reducir el riesgo de lesiones personales graves o la muerte, no trabaje nunca en pendientes superiores a 15 grados. Compruebe siempre el grado de inclinación de la superficie del césped antes de intentar segar en esa zona.

- Descargue en su dispositivo móvil una aplicación de inclinómetro que mida pendientes.
- Coloque una pieza plana de madera o metal, de 1,2-1,8 m (4-6 pies) de longitud, sobre la superficie de la pendiente.
- Abra la aplicación y coloque el teléfono (2) sobre la pieza plana de metal o madera (1) para determinar la pendiente exacta del césped. No siga si la pendiente supera los 15 grados



2.4.10 DESNIVELES Y AGUA

▲ AVISO

Los desniveles alrededor de escalones y agua son un peligro común. Nunca utilice el cortacésped en pendientes que desciendan hacia agua, muros de contención u otros desniveles. Extreme las precauciones cuando utilice el cortacésped en las proximidades de tales riesgos.

▲ AVISO

Para reducir el riesgo de caerse al agua, por escalones o por el borde de un desnivel, deje siempre dos veces la anchura del cortacésped de espacio libre entre el cortacésped y el riesgo. Si no se mantiene una distancia suficiente, pueden producirse lesiones graves, la muerte o el ahogamiento.

2.4.11 SISTEMA DE INTERBLOQUEO DE SEGURIDAD



Este cortacésped dispone de un sistema de interbloqueo de seguridad compuesto por el freno de estacionamiento, el interruptor de presencia del operario, el interruptor PTO y la llave de arranque para proteger al operario y a otras personas de lesiones accidentales debidas a un arranque involuntario. Pruebe el sistema antes de cada uso para garantizar su correcto funcionamiento.

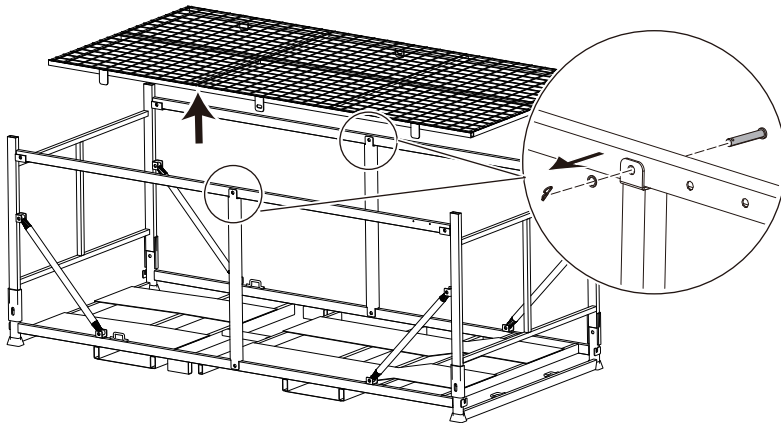
1. El operario debe estar en el asiento al probar el interruptor de presencia del operario.
2. Inserte la llave de arranque y gírela a la posición de encendido.
3. Suelte el freno de estacionamiento.
4. Tire del interruptor PTO para acoplar las cuchillas.
5. Levántese lentamente del asiento. El sistema de cuchillas del cortacésped debería detenerse.

Las cuchillas deben desconectarse en 3 segundos. Si no es el caso, contacte de inmediato con el servicio de atención al cliente. No utilice el cortacésped hasta que se haya reparado el sistema de interbloqueo de seguridad.

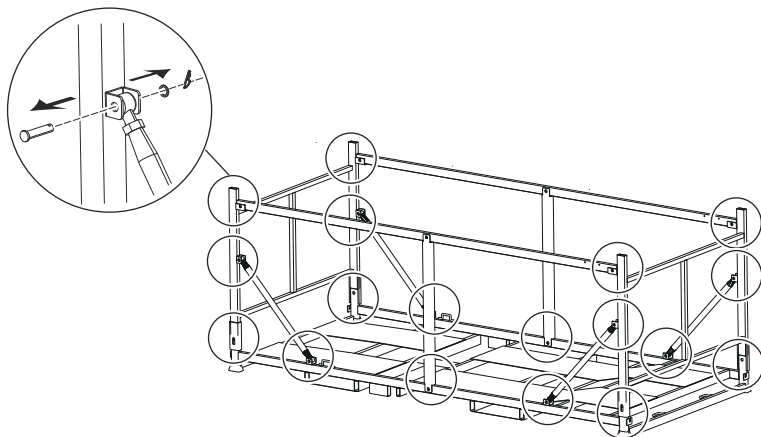
3 DESEMBALAJE DEL PRODUCTO

El cortacésped se envía en un cajón. Este es el procedimiento para desembalarlo y sacarlo.

1. Retire los dos pasadores, las arandelas y los pasadores de horquilla que fijan la red de alambre al bastidor y retire la red de alambre.



2. Retire los 18 pasadores, las arandelas y los pasadores de horquilla que fijan los apoyos al bastidor y retire los apoyos.



3. Suelte o corte las cuatro correas que fijan los ejes de las ruedas delanteras y traseras a la parte inferior del bastidor.
4. Retire las cajas que contienen las piezas sueltas, los elementos de montaje y la documentación.
5. Retire y aparte todo el embalaje y los envoltorios accesibles de la unidad y sus piezas. No deseche el material de embalaje hasta que haya inspeccionado exhaustivamente y utilizado satisfactoriamente el producto.
6. Inspeccione el producto con cuidado para asegurarse de que no se haya producido ninguna rotura ni daños durante el transporte.

▲ AVISO

Al montar las piezas sueltas del cortacésped, verifique que la pieza esté montada correctamente y que esté bien apretada al par correcto (donde corresponda) antes de continuar con el siguiente paso de montaje. El uso de un cortacésped que pueda haberse montado incorrectamente podría dar lugar a lesiones personales graves.

▲ AVISO

Debe leer detenidamente y entender el manual antes de sacar el cortacésped del bastidor. Si no se siguen estas instrucciones, puede perderse el control y pueden producirse daños materiales, lesiones personales graves o incluso la muerte.

4 MONTAJE

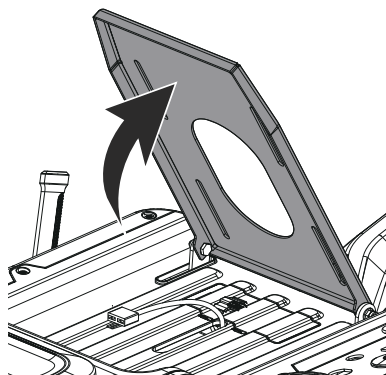
Esta sección describe cómo montar y ajustar el producto.

▲ AVISO

DEBE LEER DETENIDAMENTE Y ENTENDER EL CAPÍTULO DE SEGURIDAD Y LAS INSTRUCCIONES DE MONTAJE ANTES DE MONTAR EL PRODUCTO.

4.1 INSTALACIÓN DEL ASIENTO

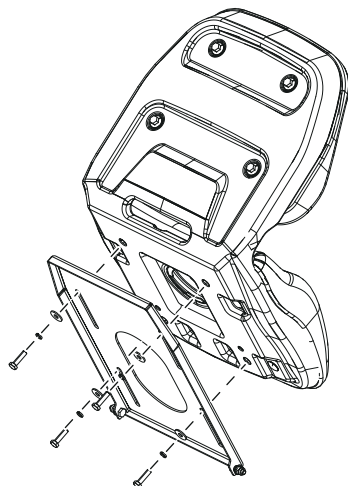
1. Levante el panel del asiento.



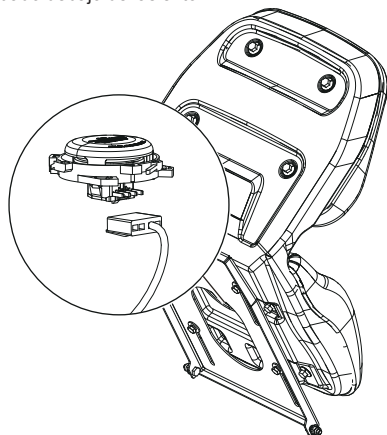
2. Coloque el conjunto del asiento sobre el panel del asiento y alinee los orificios con las hendiduras de montaje.

3. Inserte los pernos M8 y las arandelas en las hendiduras de montaje del panel del asiento y apriételos firmemente con una llave de vaso de 10 mm a un par de apriete de entre 15 - 20 N.m (11 - 15 ft/lbs).

Nota: Puede ajustar la posición del asiento instalando los pernos más o menos cerca del volante.



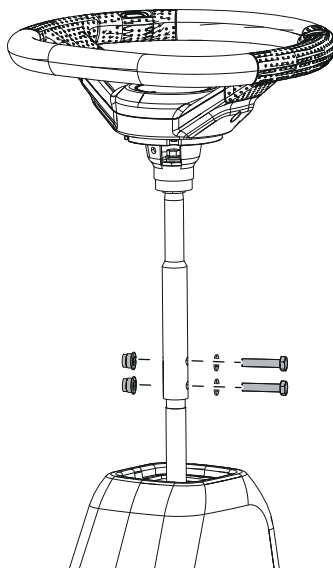
4. Conecte el conector del cable al enchufe del asiento situado debajo del asiento.



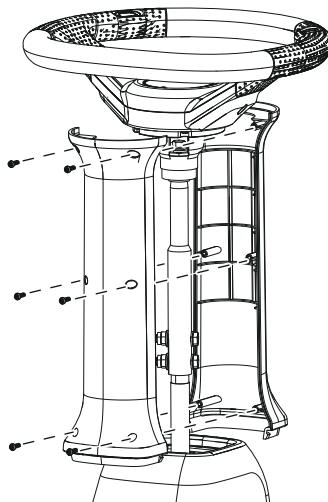
4.2 INSTALACIÓN DEL VOLANTE

Nota: Antes de montar, asegúrese de que el conjunto de montaje está orientado hacia el asiento.

1. Instale el eje de dirección en el acoplador, alineando los orificios del eje con los orificios de los pernos del acoplador. Inserte y apriete firmemente dos pernos M8 y sus arandelas aplicando un par de apriete comprendido entre 20 - 25 N.m (15 - 18 ft/lbs) con una llave de 13 mm.

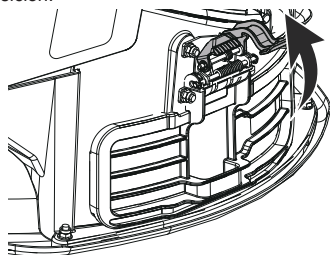


2. Una las dos partes de la columna de dirección. Inserte seis tornillos de 16 mm en los orificios de montaje y utilice una llave T20 para apretarlos firmemente a un par de apriete comprendido entre 0,8 - 1,2 N.m (0,6 - 0,9 ft/lbs).

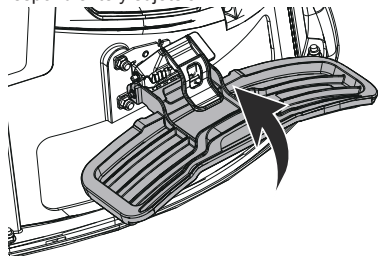


4.3 INSTALACIÓN DEL CONDUCTO DE DESCARGA LATERAL DE DESCARGA LATERAL

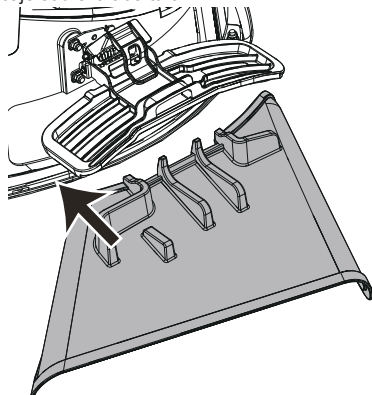
1. Levante la abrazadera de la puerta y sujétela en su posición.



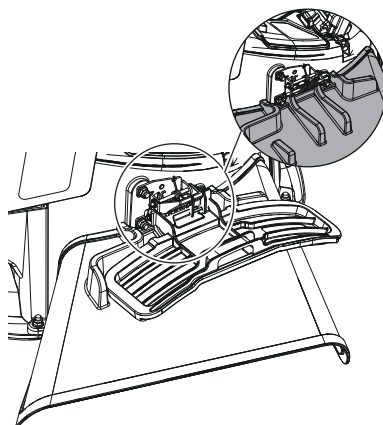
2. Con la otra mano, levante la puerta de descarga lateral para dejar al descubierto la abertura correspondiente y sujétela.



3. Monte el conducto de descarga lateral de modo que encaje sobre la abertura.



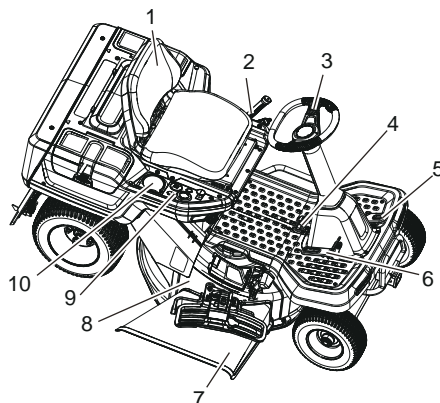
4. Alinee los dientes del conducto de descarga lateral con el conjunto del eje para lograr un ajuste seguro.



5 FUNCIONES Y CONTROLES

En la sección siguiente se describe brevemente la función de los controles individuales. Para obtener información sobre el arranque, la parada, la conducción y el corte de hierba, consulte la (referencia) sección **Funcionamiento** (Referencia 7).

5.1 CONTROLES DEL PRODUCTO



- | | | | |
|---|---|----|------------------------------|
| 1 | Asiento | 6 | Pedal de avance/retroceso |
| 2 | Palanca de ajuste de altura de plataforma | 7 | Conducto de descarga lateral |
| 3 | Volante | 8 | Conducto de descarga trasero |
| 4 | Pedal del freno de estacionamiento | 9 | Panel de control |
| 5 | Pedal del freno | 10 | Portavasos |

5.1.1 PALANCA DE AJUSTE DE ALTURA DE PLATAFORMA

Antes de utilizar el cortacésped, eleve la altura de la plataforma a la posición de corte más adecuada para su césped.

La altura de corte es ajustable de 1-4 pulg. La plataforma debe estar elevada para evitar tocones, piedras u otros obstáculos que podrían dañar la plataforma del cortacésped.

▲ PRECAUCIÓN

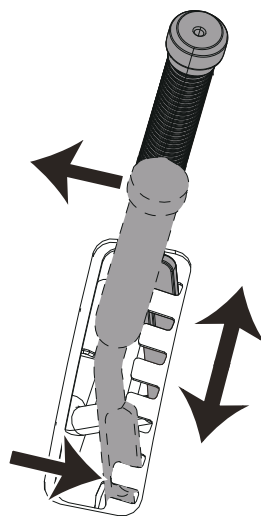
Agarre y sujete firmemente la palanca de ajuste de altura de la plataforma cuando la ajuste, soltándola solo cuando esté bien fijada en la ranura deseada, para evitar posibles lesiones en las manos.

▲ PRECAUCIÓN

Ajuste la altura de corte únicamente cuando el cortacésped esté en posición de estacionamiento, de lo contrario se producirán daños en el producto o lesiones personales.

Para ajustar la altura de corte:

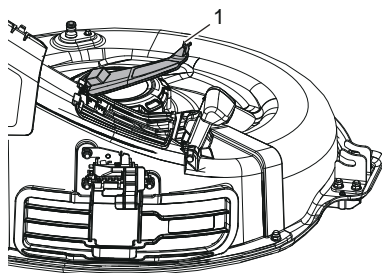
1. Detenga el cortacésped y desacople las cuchillas.
2. Gire la llave a la posición de apagado y mantenga pisado el pedal del freno de estacionamiento; a continuación, pise a fondo el pedal del freno para activar el freno de estacionamiento.
3. Sujete la palanca de ajuste de altura de la plataforma y muévala hacia dentro para desengancharla del retén.
4. Mueva la palanca de ajuste de altura de la plataforma hacia abajo y hacia arriba y engánchela en el retén cuando llegue a la altura de corte deseada.



5.1.2 CONDUCTO DE DESCARGA TRASERO

El producto está equipado con el conducto de descarga trasero para recoger la hierba cortada y descargarla en su parte trasera.

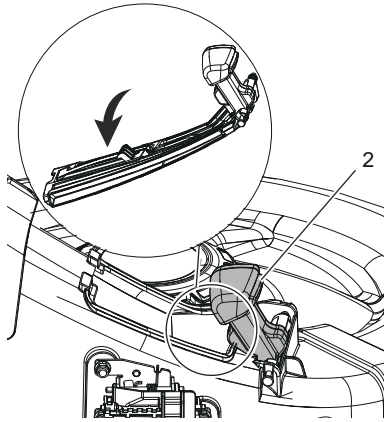
- Tire de la lengüeta hacia atrás (1) situada en la parte delantera de la placa de salida para retirar la placa, dejando al descubierto la placa deflectora del interior del conducto.



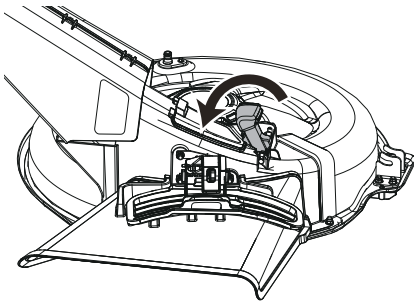
- La placa deflectora sirve para bloquear o desbloquear el conducto de descarga trasero. Si el asa está en posición hacia delante, el conducto está abierto para descargar la hierba cortada en la parte trasera del producto.

Nota: Cuando el mando del asa esté en posición hacia delante, no monte el conducto de descarga lateral y mantenga cerrada la puerta de descarga lateral.

- Pulse el botón de liberación (2) del asa para tirar de ella hacia atrás; la placa deflectora se inclinará hacia abajo para bloquear el conducto de descarga trasero.

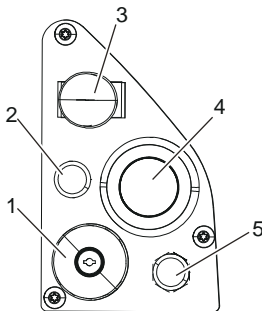


Nota: Cuando el mando del asa esté en posición hacia atrás, monte el conducto de descarga lateral para este uso.



Nota: Para desatascar la hierba, abra la placa de salida durante la descarga lateral.

5.1.3 PANEL DE CONTROL



1. Interruptor de encendido: Este interruptor se utiliza para encender y apagar el cortacésped. La llave de arranque debe insertarse antes de poder accionar el interruptor.

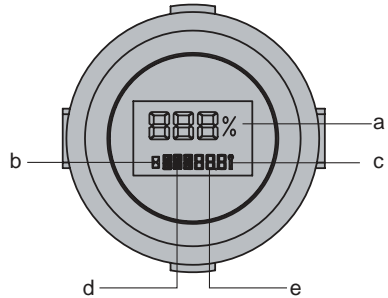
2. Botón de segado marcha atrás: Púselo para cortar la hierba mientras va marcha atrás.

3. Interruptor de puesta en marcha (PTO): El interruptor PTO acopla y desacopla las cuchillas del cortacésped. Tire hacia ARRIBA del interruptor para acoplarlo y empuje hacia ABAJO para desacoplarlo.

▲ PRECAUCIÓN

Nunca acople el interruptor PTO cuando la plataforma esté bajo carga. En caso de no hacerlo, podrían producirse daños graves en el motor o la plataforma.

4. Pantalla de indicación digital: Esta pantalla de indicación digital muestra información importante sobre el sistema eléctrico.



#	Símbolo	Significado
a		Nivel de batería
b		Indicador de horas de trabajo
c		Comprobar el controlador, la batería o el motor
d		Detalles del error/ Conducción (D), Neutro (N), Reversa (R) en reversa (RM).
e		Código de error/total horas de trabajo

5. Botón de baja velocidad: Presiona este botón para cambiar la velocidad de conducción de 4.5 mph a 2.5 mph en modo de siega.

6 SISTEMA ELÉCTRICO

6.1 SEGURIDAD DEL SISTEMA ELÉCTRICO

Para reducir el riesgo de lesiones personales graves debidas a un incendio o una descarga eléctrica al trabajar en el sistema eléctrico:

- Retire siempre la llave de arranque y las baterías, y lea el manual del operario antes de trabajar con este producto.
- Retire siempre la llave de arranque y las baterías al transportar el producto.
- Mantenga el producto limpio de recortes de hierba, hojas y otros residuos. NO utilice agua para limpiar el producto. Utilice únicamente aire comprimido. Lleve protección ocular y auditiva adecuada al limpiar el producto.
- Lleve siempre equipos de protección (gafas de seguridad, protector facial y guantes) cuando trabaje con la batería. Utilice herramientas aisladas.
- Limpie toda la suciedad y los residuos del producto. No utilice disolventes, limpiadores agresivos o abrasivos.
- Mantenga la zona libre de transeúntes al acoplar el interruptor PTO.
- Nunca permita la presencia de llamas, chispas ni humo cerca del producto o las baterías.
- Mantenga el producto y las baterías fuera del alcance de los niños.
- Mantenga siempre las protecciones, cubiertas y protectores en su posición y bien fijados. Si resultan dañados, repare o sustituya inmediatamente. Nunca modifique ni retire los dispositivos de seguridad.

6.2 INFORMACIÓN DEL SISTEMA ELÉCTRICO

El producto recibe alimentación de un sistema eléctrico de 60/80 voltios. Consta de los siguientes componentes:

1. Controlador de cuchilla y transmisión (1)
2. Motor de cuchilla (1)
3. Acelerador (1)
4. Pantalla digital (1)
5. Motor de rueda (1)
6. Compartimento de la batería (2)
7. Luz delantera (2)

7 FUNCIONAMIENTO

Esta sección describe el funcionamiento del producto.

▲ AVISO

DEBE LEER DETENIDAMENTE Y ENTENDER EL CAPÍTULO DE SEGURIDAD Y LAS INSTRUCCIONES DE FUNCIONAMIENTO ANTES DE UTILIZAR EL PRODUCTO.

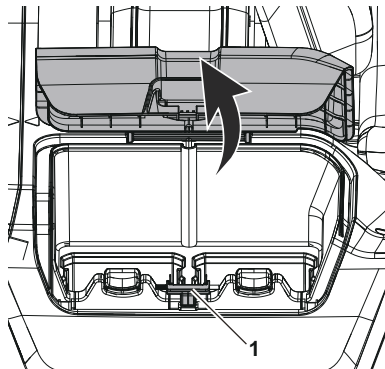
7.1 ANTES DEL FUNCIONAMIENTO

7.1.1 CONEXIÓN DE LAS BATERÍAS AL PRODUCTO

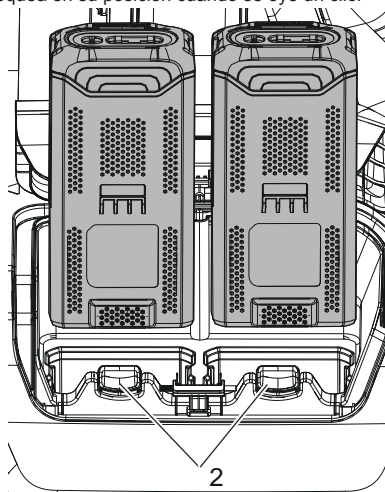
▲ AVISO

Utilice únicamente baterías originales de Greenworks con el producto.

1. Asegúrese de que las baterías estén totalmente cargadas.
2. Pulse el botón de desbloqueo (1) para abrir la cubierta de las baterías.



3. Empuje las baterías para introducirlas en el compartimento de las baterías. La batería se bloquea en su posición cuando se oye un clic.



▲ PRECAUCIÓN

Si la batería no entra fácilmente en su compartimento, esto significa que no está instalada correctamente. Esto puede provocar daños en el producto.

Nota: Pulse el botón de desbloqueo de la batería (2) para retirar cada batería.

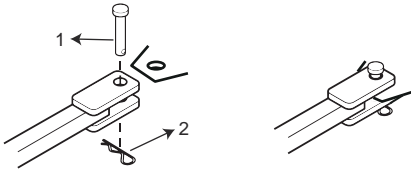
7.1.2 ENGANCHE DE REMOLQUE TRASERO

▲ AVISO

El remolcado de cargas puede resultar peligroso, especialmente en pendientes.

- El peso total máx. (remolque y carga) no debe superar los 300 lbs (136 kg).
- El peso máximo de remolcado debe ser inferior a 45 lbs (20,2 kg).
- Evite pendientes de más de 10 grados.
- Ralentice y tenga cuidado en las pendientes.
- No remolque con un recogehierba.

Fije el remolque con el pasador de horquilla adecuado (1) y el pasador en R (2).

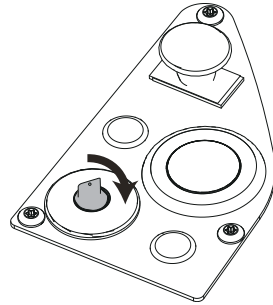


Las cargas remolcadas excesivas afectan a la tracción y al control en pendientes. Aligere la carga en pendientes. Las condiciones de la superficie afectan a la tracción y la estabilidad. Las superficies mojadas o resbaladizas reducen la tracción, lo que afecta a las maniobras de frenado y giro. Evalúe el terreno antes de utilizar la unidad y el remolque, evitando pendientes superiores a 10 grados.

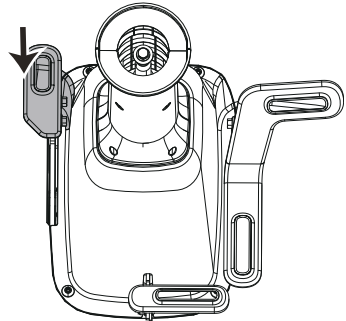
7.2 PUESTA EN MARCHA DEL PRODUCTO

Nota: Mantenga la zona libre de transeúntes antes de manejar el cortacésped. Si alguien entra en la zona de corte, deténgase inmediatamente y no vuelva a segar hasta que los transeúntes abandonen la zona.

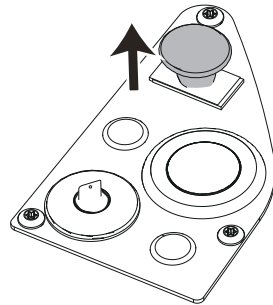
1. Levante la plataforma del cortacésped a su posición más alta. Consulte el apartado **Palanca de ajuste de altura de plataforma** (referencia 5,1,1) que figura en **Funciones y controles**.
2. Inserte la llave de arranque y gírela a la posición de encendido.



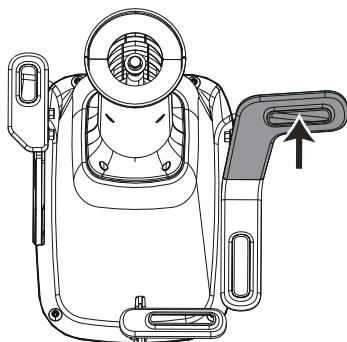
3. Toque el pedal del freno para soltar el freno de estacionamiento.



4. Tire del interruptor PTO para acoplar las cuchillas para segar.



5. Pise el pedal del acelerador para empezar a segar.



▲ AVISO

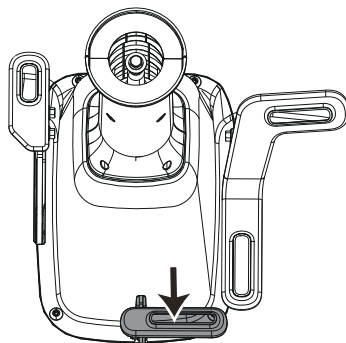
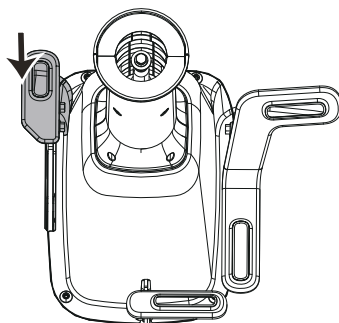
No pise el pedal del acelerador cuando el freno de estacionamiento o el freno de marcha esté activado.

▲ AVISO

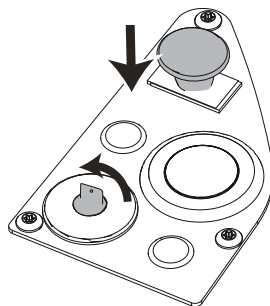
Tenga cuidado al cruzar sobre caminos o senderos de grava. Antes de cruzar, desacople las cuchillas y levante la plataforma de corte a la posición más alta para minimizar la posibilidad de rebote. Conduzca lentamente para evitar la pérdida de tracción y de control.

▲ PRECAUCIÓN

No intente cambiar la dirección de conducción (D/R) mientras el cortacésped esté en movimiento. Deténgase siempre por completo antes de cambiar la dirección de conducción.



3. Presione el interruptor PTO para desacoplar las cuchillas.
4. Sitúe la llave de arranque en la posición de apagado.

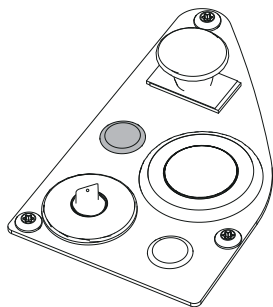


7.3 PARADA DEL PRODUCTO

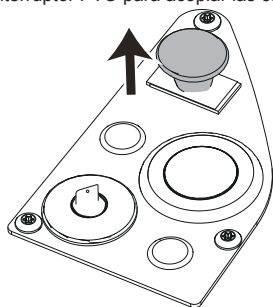
1. Detenga el producto sobre una superficie plana y nivelada.
2. Pise el pedal del freno para detenerse, luego presione completamente el pedal del freno de estacionamiento. Suelte el pedal de freno, asegurándose de que el freno de estacionamiento permanezca accionado con seguridad. **Nota:** Toque de nuevo el pedal del freno para soltar el freno de estacionamiento.

7.4 FUNCIONAMIENTO DEL MODO DE MARCHA ATRÁS

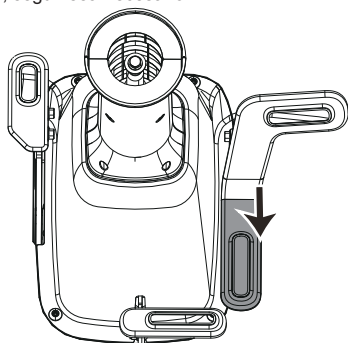
1. Pulse el botón de segado marcha atrás.



2. Tire del interruptor PTO para acoplar las cuchillas.

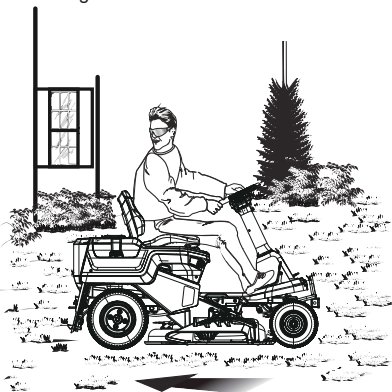


3. Utilice el talón para pisar suavemente el pedal de marcha atrás a fin de activar el segado marcha atrás, según sea necesario.



▲ AVISO

No siegue marcha atrás a menos que sea absolutamente necesario. Mire siempre hacia abajo, hacia atrás y hacia los lados antes de cambiar de dirección y al retroceder. Una acción descuidada puede causar la muerte o lesiones graves en una fracción de segundo.

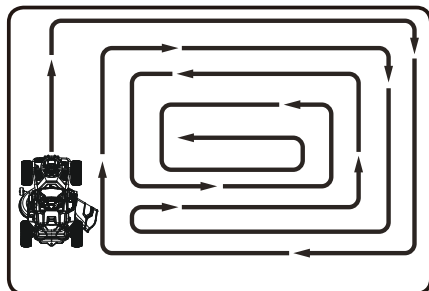


▲ AVISO

Extreme las precauciones antes y cuando se desplace marcha atrás con el kit recogehierba (no incluido) instalado, ya que puede limitar la visibilidad. Mire siempre atentamente y hacia abajo en busca de niños pequeños, transeúntes y mascotas, y mueva el cortacésped lentamente para evitar accidentes que puedan provocar lesiones personales graves o incluso la muerte.

7.5 CORTE DE HIERBA

Seleccione una zona lisa y nivelada para segar. Tenga cuidado con los árboles, las vallas y las pendientes. Siegue en líneas rectas, ligeramente solapadas. Cambie de vez en cuando los patrones para evitar zonas planas. Para dar un toque profesional, siegue una vez transversalmente y, a continuación, perpendicularmente en la siguiente vuelta.



Cuando siegue espacios amplios, empiece girando hacia la derecha para asegurarse de que los recortes se alejen de arbustos, vallas, entradas de vehículos y otras zonas. Después de realizar una o dos rondas, siegue en un patrón de vaivén a través del césped, girando en los bordes de la hierba cortada previamente.

7.6 PATRONES DE SEGADO

7.6.1 DESCARGA LATERAL

La descarga lateral es una técnica de segado que procesa eficazmente un mayor volumen de hierba en una sola pasada. Este método consiste en expulsar los recortes de hierba hacia el lateral de la plataforma del cortacésped y dispersarlos por el césped. El diseño de la plataforma de descarga lateral permite un corte eficaz incluso en condiciones de hierba alta, por lo que es ideal para zonas de mayor tamaño en las que es esencial agilizar el corte del césped. Para un corte óptimo, ajuste la velocidad de las cuchillas a la velocidad más alta (si procede). Si el motor ralentiza, reduzca la velocidad de conducción. Una velocidad más lenta aumenta la eficacia de las cuchillas y evita problemas de corte. Elija el segado con descarga lateral para hierba entre 7-12 cm (3-5 pulg.). Evite cortar más de 2,5 cm (1 pulg.) cada vez.

7.6.2 MULCHING

El mulching ofrece ventajas versátiles, cortando finamente la hierba y devolviendo los recortes al suelo. Recuerde que el mulching funciona mejor con hierba seca y de altura moderada. Para que el mulching se realice correctamente, ajuste la velocidad de la cuchilla a la velocidad más alta (si procede) que corresponda con la velocidad de conducción más lenta. De este modo, los recortes serán más finos. Al hacer mulching, conduzca aproximadamente a la mitad de la velocidad empleada para esparcir.

Longitud óptima de recorte

El mulching óptimo recorta solo 1,25-1,9 cm ($\frac{1}{2}$ - $\frac{3}{4}$ " superior de la hierba, dando lugar a recortes que se descompondrán. Experimente con la altura de corte en función del clima, la estación y la densidad del césped. Como siempre, siegue con cuidado y tenga en cuenta las condiciones específicas de su césped para obtener los mejores resultados.

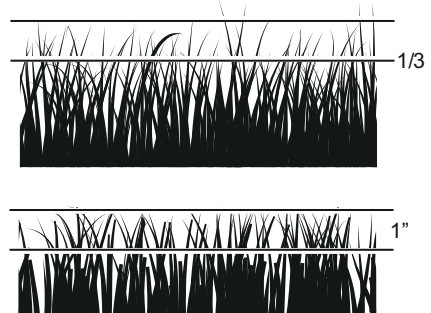
7.7 RECOMENDACIONES DE SEGADO

Son muchos los factores que influyen en la eficacia de corte hierba del cortacésped. El cumplimiento de las normas de corte mejora el rendimiento y la vida útil del cortacésped.

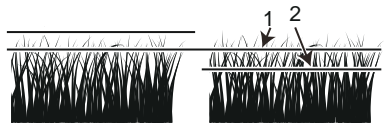
7.7.1 ALTURA DE LA HIERBA

La altura de corte suele depender de las preferencias. Normalmente, siegue cuando la hierba tenga aproximadamente 7-12 cm (3-5 pulg.) de altura. La

altura adecuada varía en función del tipo de hierba, las precipitaciones, la temperatura y la salud del césped. Un corte demasiado corto debilita la hierba y la hace más propensa a sufrir daños por los periodos de sequía y las plagas. Un césped ligeramente más largo es menos propenso a sufrir daños. Un crecimiento más largo en condiciones calurosas y secas reduce el estrés térmico, conserva la humedad y protege contra los daños. Si mantiene la hierba demasiado larga se genera un césped fino y problemas. No corte demasiado de una vez; siga la regla de 1/3: recorte un máximo de 1/3 y no más de 2,5 cm (1 pulg.) cada vez.



La capacidad de corte depende del sistema de segado elegido. El esparcido con cubiertas de descarga lateral maneja más hierba que el mulching. La hierba alta necesita un corte gradual. Para hierba muy alta, comience con la altura máxima (1), luego bájela para la segunda (2) o tercera pasada. Evite dejar un exceso de recortes sobre la hierba. Considere la posibilidad de utilizar un sistema de recogida de hierba o de compostaje. Recuerde que cada sistema se adapta a una situación diferente.



7.7.2 CUÁNDO Y CON QUÉ FRECUENCIA SEGAR

El momento y el estado de la hierba influyen notablemente en los resultados de corte. Siga estas orientaciones para obtener los mejores resultados:

- Siegue cuando la altura de la hierba esté entre 7-12 cm (3-5 pulg.).
- Utilice cuchillas afiladas para una mayor precisión. Los recortes cortos de menos de 2,5 cm (1 pulg.) se descomponen más rápido, y las cuchillas afiladas evitan los bordes deshinchados.
- Elija un momento del día fresco y seco para segar, por ejemplo, a última hora de la tarde o justo antes de que anochezca.

- Evite cortar la hierba después de que haya llovido o si hay mucho rocío. Nunca haga mulching con hierba mojada, ya que se apelmaza bajo la plataforma del cortacésped y no se tritura eficientemente.

8 TRANSPORTE

8.1 TRANSPORTE DEL CORTACÉSPED

▲ PRECAUCIÓN

No remolque este cortacésped para evitar daños en el sistema de transmisión.

▲ AVISO

No cargue el cortacésped en un remolque o camión utilizando dos rampas separadas. Utilice únicamente una rampa de anchura completa que sea al menos 30 cm (1 pie) más ancha que la anchura de las ruedas traseras del cortacésped. Las ruedas traseras podrían caerse de las rampas o la unidad podría volcar lesionando al operario o a cualquier transeúnte. Asegúrese de que la plataforma de corte esté elevada a la posición más alta para que no quede atrapada en la rampa.

1. Estacione el cortacésped en una superficie a nivel.
2. Levante la plataforma de corte a su posición más alta.
3. Coloque y fije la rampa en el remolque según las instrucciones del fabricante.
4. Utilice una rampa de carga de ancho completo que sea al menos 30 cm (1 pie) más ancha que el cortacésped para reducir el riesgo de salirse por un lateral de la rampa.
5. Conduzca lentamente el cortacésped sobre la rampa y en el interior del remolque.
6. Tras la carga, baje por completo la plataforma del cortacésped.
7. Aplique el freno de estacionamiento.
8. Fije el cortacésped según sea necesario con correas o cables para evitar que se mueva durante el transporte.

▲ AVISO

Para evitar el arranque o el movimiento accidental, que podría provocar lesiones personales graves, retire siempre la llave de arranque y aplique el freno de estacionamiento cuando transporte el cortacésped.

8.2 TRANSPORTE DE LAS BATERÍAS DE IONES DE LITIO

El Departamento de Transporte de EE.UU. y las autoridades de transporte internacional exigen que

las baterías de iones de litio se transporten con un embalaje especial y que solo sean transportadas por empresas certificadas para ello. En EE.UU., se permite transportar la batería cuando está instalada en el cortacésped como equipo alimentado mediante batería, con algunos requisitos reglamentarios. Póngase en contacto con el Departamento de Transporte de EE.UU. o con el organismo gubernamental correspondiente de su país para conocer los reglamentos detallados sobre el transporte de su batería o del cortacésped equipado con la batería. Para obtener información detallada sobre el envío de una batería, contacte con un distribuidor de servicio técnico autorizado de Greenworks.

8.3 DESPLAZAMIENTO MANUAL DEL CORTACÉSPED

Para empujar el cortacésped manualmente:

1. Desacople las cuchillas del cortacésped y pise y mantenga pisado el pedal del freno de estacionamiento; a continuación, pise a fondo el pedal del freno para activar el freno de estacionamiento.
2. Gire la llave de contacto a la posición de apagado. Retire la llave y espere a que se detengan todas las piezas en movimiento antes de abandonar la posición de trabajo.
3. Suelte el freno de estacionamiento.
4. Desplace el cortacésped al lugar deseado.

▲ PRECAUCIÓN

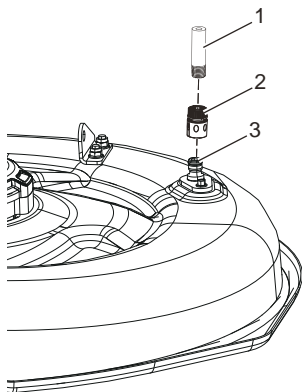
Para evitar daños en el motor y el sistema de transmisión, no mueva el producto a más de 8 km/h (5 mph).

9 LIMPIEZA Y ALMACENAMIENTO

9.1 LIMPIEZA DEL PRODUCTO

- Elimine cualquier acumulación de hierba y hojas en la cubierta del motor o alrededor de esta (no utilice agua).
- Limpie ocasionalmente el cortacésped con un paño seco.
- Si se acumulan residuos en la parte inferior del cortacésped durante su uso, pare el motor sobre terreno llano, desacople el interruptor PTO, aplique el freno de estacionamiento, apague el producto, retire la llave de arranque y utilice aire comprimido para limpiar la zona.

9.2 LIMPIEZA DE LA PLATAFORMA DEL CORTACÉSPED



- Para preparar el cortacésped, estacionelo, aplique el freno y baje la plataforma.
- Conecte la manguera (1) con acoplamiento rápido (2) al puerto de lavado (3), abra el agua, ponga en marcha las cuchillas del cortacésped aumentando la velocidad y lave debajo de la plataforma durante aproximadamente un minuto.
- Para terminar la limpieza, desacople las cuchillas del cortacésped, cierre el agua y desconecte la manguera.
- Guarde el acoplamiento rápido para utilizarlo en el futuro.
- Apague el cortacésped por completo.

9.3 ALMACENAMIENTO DEL PRODUCTO

Para preparar el producto para el almacenamiento, deben seguirse estos pasos.

- **Limpieza del cortacésped:** Antes de almacenar el producto, límpielo a fondo como se indica en la sección anterior.

10 MANTENIMIENTO

10.1 SEGURIDAD DURANTE EL MANTENIMIENTO

- Deben tomarse medidas específicas para realizar los procedimientos de servicio y mantenimiento de forma segura.
- Lea y siga todos los mensajes de seguridad e instrucciones aplicables de este manual.
- Desacople siempre las cuchillas del cortacésped, aplique el freno de estacionamiento, apague el cortacésped, retire la llave de arranque, retire las baterías y espere a que se detenga todo el movimiento antes de realizar los procedimientos de servicio y mantenimiento.
- Lleve equipos de protección personal adecuados, como calzado de seguridad, gafas de seguridad, guantes y protección auditiva. El cabello largo, la ropa holgada o las joyas pueden enredarse en las piezas móviles. Sujete el cabello por encima del nivel de los hombros antes de empezar a trabajar.

- **Inspección y mantenimiento de la cuchilla:** Inspeccione las cuchillas y sustitúyalas como se indica en la sección **Tareas de servicio de las cuchillas del cortacésped** (Referencia 10,7) en caso necesario.
- **Evite los materiales corrosivos:** Mantenga el cortacésped alejado de sustancias corrosivas, como fertilizantes o sal gema, ya que pueden provocar óxido y corrosión en los componentes metálicos, como la cuchilla, la plataforma, el motor y el bastidor. Mantenga el cortacésped y su batería alejados de materiales conductores o corrosivos para reducir el riesgo de cortocircuito, incendio, explosión y otros riesgos eléctricos.
- **Seguridad infantil:** Guarde el producto en un lugar inaccesible a los niños para evitar accidentes.
- **Cobertura adecuada:** No cubra el producto con una lona de plástico dura. Las cubiertas de plástico pueden atrapar humedad, lo que da lugar a oxidación y corrosión.
- **Compruebe el desgaste:** Inspeccione minuciosamente el cortacésped en busca de piezas desgastadas o dañadas que puedan necesitar sustitución.
- **Mantenimiento de los neumáticos:** Evite desinflar los neumáticos durante el almacenamiento.
- **Entorno de almacenamiento:** Almacene el producto en una zona limpia, seca y con buena ventilación. Tenga en cuenta que el cargador de baterías no puede utilizarse en un entorno húmedo.
- **Proceso de carga:** Consulte la sección **Carga** (Referencia 10,3) y también el Manual del cargador de baterías para obtener instrucciones exhaustivas sobre el uso del cargador y la carga eficaz de la batería.

Si se respetan estas indicaciones, puede contribuir a aumentar la vida útil de su cortacésped durante los periodos de almacenamiento.

- La utilización de piezas no autorizadas o aprobadas por Greenworks puede provocar lesiones graves o mortales o daños materiales.

10.2 MANTENIMIENTO DE LA BATERÍA

El cortacésped recibe alimentación de baterías de iones de litio que, cuando se mantienen correctamente, proporcionarán años de vida útil. Para un cuidado adecuado, respete las siguientes instrucciones:

- Cargue siempre la batería tras cada uso. Una descarga excesiva acortará la vida útil de la batería y puede provocar daños permanentes. Si no es posible realizar un ciclo de carga completo inmediatamente después del corte, un ciclo de 5-10 minutos ayudará a mantener la salud de la batería. Vuelva a cargar por completo la batería en las 24 horas siguientes a su uso. Para mantener una calibración adecuada, haga funcionar y cargue el cortacésped al menos una vez al mes. Realice una carga completa cada seis meses.
- Evite que la hierba, la suciedad y los residuos se acumulen cerca de la zona de la batería.
- Cargue las baterías en una zona cubierta y seca lejos de las chispas y las llamas. Nunca exponga el cargador a la lluvia, al vapor de agua ni a otros líquidos.
- No toque la parte sin aislamiento del cargador (patillas de los terminales) o del conector salida.
- No utilice el cargador si los cables han sufrido daños.
- Consulte el manual de la batería para obtener información adicional sobre las baterías.
- Para optimizar la vida útil de la batería, asegúrese de cargarla por completo poco después de cada uso. Esto es especialmente importante cuando las temperaturas descienden por debajo de 0°C (32°F).

10.2.1 MANTENIMIENTO RUTINARIO

El mantenimiento rutinario debe incluir la limpieza y la inspección.

- Durante el proceso de carga de la batería:
 - Asegúrese de que el enchufe de carga se conecte de forma segura y por completo en la toma de corriente;
 - Asegúrese de que el cargador funcione sin fallos;
 - Solucione cualquier fallo y hágalo reparar antes de cargar.
- Durante el funcionamiento del cortacésped y la carga de la batería, mantenga el puerto de carga alejado del agua y otros materiales conductores. Nunca cargue el cortacésped si está mojado.
- El tiempo de carga depende de varios factores, como el estado de la batería y las temperaturas ambiente, así como otros factores. Supervise si la batería presenta un rendimiento o un comportamiento anómalos.

10.3 CARGA

10.3.1 CARGA DE LA BATERÍA

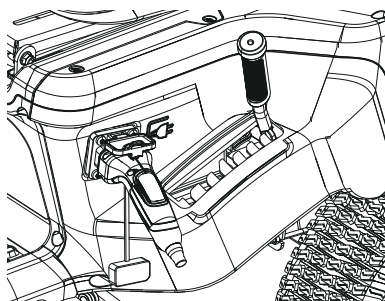
Las baterías pueden cargarse por separado con un cargador específico (no suministrado).

Consulte el manual de la batería para obtener información adicional sobre la recarga de las baterías.

10.3.2 CARGA EL PRODUCTO

Abra la cubierta del puerto de carga y ciérrela una vez finalizada la carga para reducir el riesgo de descarga eléctrica.

1. Abra la cubierta del puerto de carga de la batería del cortacésped.
2. Enchufe el cargador en el puerto carga de la batería.
3. Enchufe el cargador en una toma de alimentación.
4. Cuando el cortacésped está cargando, la pantalla digital solo mostrará el porcentaje de batería.



▲ AVISO

Consulte el manual del cargador para conocer las advertencias e instrucciones de carga. Debe leer y entender todas sus advertencias e instrucciones de seguridad. El incumplimiento de las mismas puede provocar descargas eléctricas, incendios o lesiones graves.

▲ AVISO

Para reducir el riesgo de incendio y explosión, mantenga las llamas abiertas y las chispas alejadas del cortacésped y de su batería. Asegúrese de que haya una ventilación adecuada alrededor del cortacésped durante la carga.

Recomendaciones de carga:

- No es necesario que la batería esté completamente descargada antes de recargarla. Para mantener un estado adecuado de calibración de carga, haga funcionar y cargue el cortacésped al menos una vez al mes. Realice una carga completa cada seis meses.
- Una batería dejada sin cargar se descargará lentamente. Antes del uso inicial cada temporada de primavera, asegúrese de que la batería tenga una carga completa antes de segar.
- Compruebe la batería cada seis meses y cárguela si el nivel de carga es inferior al 50%.
- Cuando la capacidad de la batería sea inferior al 5 %, las cuchillas en funcionamiento se detendrán automáticamente. La velocidad de conducción máxima será de 2,5 mph. El producto debe cargarse inmediatamente.

10.4 CALENDARIOS RECOMENDADOS DE MANTENIMIENTO

Intervalo de servicio de mantenimiento	Procedimiento de mantenimiento
Antes de cada uso o a diario	<ul style="list-style-type: none"> • Inspeccione las cuchillas. • Compruebe la presión de los neumáticos. • Compruebe los contactos de los interruptores y los frenos. • Compruebe si hay aislamientos deshilachados o deteriorados. • Limpie debajo de la plataforma de corte. Limpie el área debajo del asiento del operario y cerca de la batería. Retire todos los recortes de hierba, hojas y residuos del producto antes de empezar a trabajar.
Antes del almacenamiento	<ul style="list-style-type: none"> • Retire la batería y la llave del producto. • Realice todos los procedimientos de mantenimiento y limpie a fondo el producto. • Inspeccione todo el producto en busca de piezas dañadas, ausentes o sueltas; sustituya o apriete lo que corresponda antes del almacenamiento. • Pinte las superficies desconchadas.
Tras las primeras 100 horas	<ul style="list-style-type: none"> • Compruebe las tuercas de las ruedas con lengüeta.

10.5 COMPROBACIÓN DE LA PRESIÓN DE LOS NEUMÁTICOS

Para una siega uniforme, es fundamental que todos los neumáticos mantengan la presión de aire correcta. Consulte la tabla siguiente para conocer las presiones recomendadas.

Nota: Mida o ajuste la presión de los neumáticos solo cuando los neumáticos estén fríos o no se haya conducido recientemente.

Ruedas de tracción	14 psi
Ruedas delanteras	40 psi

Nota: Inspeccione los neumáticos a diario. Sustituya inmediatamente si hay daños.

▲ AVISO

Compruebe la presión de los neumáticos con cuidado durante el inflado. El inflado excesivo del neumático puede provocar un reventón, con el consiguiente riesgo de lesiones personales graves.

10.6 VALORES DE PAR

▲ AVISO

Debe prestarse especial atención al apriete de las tuercas con lengüeta de la rueda de tracción y de los pernos del eje de la cuchilla. Si no se aprietan correctamente estos elementos, puede perderse una rueda o una cuchilla, lo que puede provocar daños o lesiones personales graves.

A continuación, se indican los valores de par:

Pieza	Ft.-lbs.	N.m
Tuercas de las ruedas con lengüeta	66-73	90-100
Pernos del eje de la cuchilla	115-118	155-160

Tuercas de las ruedas con lengüeta únicamente: Se recomienda comprobarlas tras las primeras 2 horas de funcionamiento inicialmente, posteriormente cada 100 horas y después de retirarlas para su reparación o sustitución.

10.7 TAREAS DE SERVICIO DE LAS CUCHILLAS DEL CORTACÉSPED

10.7.1 MANTENIMIENTO DE LAS CUCHILLAS DEL CORTACÉSPED

Inspeccione diariamente las cuchillas del cortacésped. Su buen estado es fundamental para una eficiencia y una siega óptimas. Asegúrese de que estén afiladas, ya que una cuchilla desafilada puede causar desgarros en lugar de corte, lo que da lugar a un aspecto marrón y desigual en la hierba en pocas horas. Asimismo, una cuchilla desafilada requiere más potencia. Sustituya las cuchillas cuando estén dobladas, agrietadas o rotas.

▲ AVISO

Nunca intente enderezar una cuchilla doblada calentándola, ni soldar una cuchilla rota o agrietada ya que esta puede romperse y provocar lesiones graves. Sustituya las cuchillas desgastadas o dañadas.

▲ AVISO

Nunca trabaje con las cuchillas mientras la llave de arranque esté en el interruptor de encendido. Gire la llave de arranque a la posición de apagado, retire las baterías del producto. Apoye el cortacésped con gatos estabilizadores homologados cuando trabaje debajo de este. Lleve guantes al manipular las cuchillas. ¡Compruebe siempre que la cuchilla no esté dañada si el cortacésped golpea una piedra, una rama u otros objetos extraños!

- El filo de la cuchilla (parte curva) debe apuntar hacia arriba al interior de la plataforma para garantizar un corte adecuado.
- Gire las cuchillas tras la instalación para evitar que las puntas de las cuchillas se toquen entre sí o toquen los laterales del cortacésped.

- Asegúrese de que el perno tenga el par de apriete correcto para evitar la posible pérdida de la cuchilla, lo que podría provocar lesiones graves.
- Las cuchillas del cortacésped están afiladas y pueden cortar. Lleve siempre guantes y extreme las precauciones durante las tareas de servicio.

10.7.2 RETIRADA DE LAS CUCHILLAS

▲ AVISO

Las cuchillas del cortacésped están afiladas. Lleve siempre guantes protectores cuando manipule o trabaje cerca de las cuchillas del cortacésped.

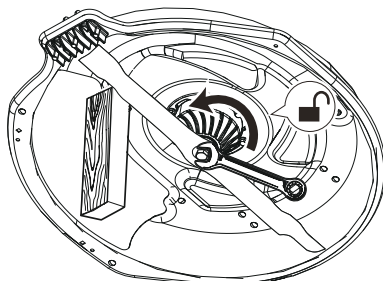
1. Estacione el cortacésped sobre una superficie plana y nivelada y aplique el freno de estacionamiento. Apague el cortacésped, quite la llave y retire las baterías del producto.
2. Eleve la altura de la plataforma de corte a su posición más alta para permitir el acceso a las cuchillas.

Nota: Si es necesario, eleve el cortacésped con un elevador, un gato o unos estabilizadores homologados o retire la plataforma de corte para acceder a las cuchillas. Asegúrese de que los estabilizadores impidan que se mueva el producto. Utilice únicamente estabilizadores homologados por parejas y siga las instrucciones del fabricante.

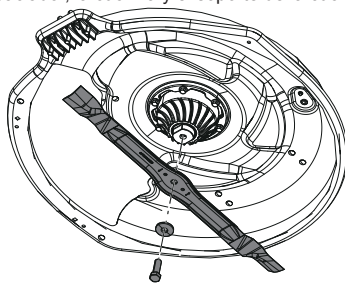
▲ AVISO

Si levanta el cortacésped para acceder a las cuchillas, asegúrese de que esté bien sujeto y que el freno de estacionamiento se haya aplicado antes de proceder. Si no se sujeta correctamente, el cortacésped podría caerse y provocar lesiones personales graves o incluso la muerte.

3. Coloque un bloque de madera entre la cuchilla y la plataforma del cortacésped para evitar que la cuchilla gire mientras trabaja.



4. Afloje la tuerca de la cuchilla girándola en sentido antihorario (visto desde la parte inferior del cortacésped) con una llave de 24 mm o una llave de tubo (no suministrada).
5. Retire el perno de la cuchilla, el espaciador, la cuchilla y el soporte de la cuchilla.



10.7.3 INSPECCIÓN DE LAS CUCHILLAS DEL CORTACÉSPED

Si una cuchilla del cortacésped está desgastada o dañada, puede romperse y proyectar fragmentos hacia la zona del operario o de cualquier transeúnte, provocando lesiones graves o incluso la muerte. Inspeccione antes de cada uso. Detenga el funcionamiento si el cortacésped golpea un objeto e inspeccione si hay daños.

▲ AVISO

Las cuchillas del cortacésped están afiladas. Lleve siempre guantes protectores cuando manipule o trabaje cerca de las cuchillas del cortacésped.

ES

- Retire la cuchilla del cortacésped de este. Consulte **Retirada de las cuchillas** (Referencia 10,7,2).
- Inspeccione las cuchillas del cortacésped para evaluar si están desafiladas y necesitan afilarse o si muestran señales de daños y deben sustituirse. Las cuchillas que presenten grietas, corrosión, óxido, desgaste excesivo, o que estén dobladas, deben desecharse.

10.7.4 INSTALACIÓN DE LAS CUCHILLAS

▲ AVISO

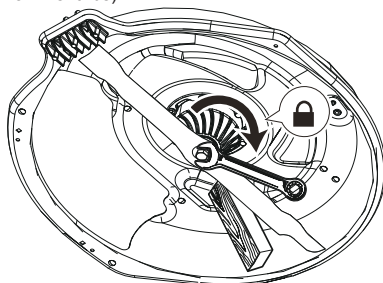
Las cuchillas del cortacésped están afiladas. Lleve siempre guantes protectores cuando manipule o trabaje cerca de las cuchillas del cortacésped.

1. Instale las cuchillas nuevas siguiendo la secuencia especificada: soporte de la cuchilla, cuchilla, espaciador y perno de la cuchilla. Asegúrese de que el filo de la cuchilla (parte curva) esté orientado hacia arriba al interior de la plataforma.

▲ AVISO

Una orientación incorrecta de las cuchillas puede dañar la plataforma de corte y afectar a la estabilidad del cortacésped, lo que puede afectar a la seguridad del operario.

2. Apriete firmemente los pernos de las cuchillas girándolos en sentido horario con una llave de tubo u otra llave de 24 mm. Apriete a 155-160 N.m (115 -118 ft-lbs).



▲ AVISO

Una orientación incorrecta de las cuchillas puede dañar la plataforma de corte y afectar a la estabilidad del cortacésped, lo que puede afectar a la seguridad del operario.

Nota: Asegúrese de que todas las piezas se vuelvan a colocar en el orden exacto en el que se retiraron.

11 SOLUCIÓN DE PROBLEMAS

PROBLEMA	POSIBLE CAUSA	ACCIÓN CORRECTIVA
El producto no se mueve.	No hay batería instalada en el compartimento de la batería o la batería no es una batería oficial de Greenworks.	Utilice únicamente batería(s) oficial(es) de Greenworks. Se necesita al menos una para el funcionamiento.
	La batería no está cargada.	Cargue la batería.
	No hay nadie en el asiento o el interruptor de presencia del operario no funciona correctamente.	Asegúrese de que el conductor esté sentado en el asiento o asegúrese de que el conector del cable esté correctamente enchufado al enchufe del asiento.
	El freno de estacionamiento está aplicado.	Asegúrese de desaplicar por completo el freno de estacionamiento para que las ruedas puedan girar libremente.
	El compartimento de la batería está en estado de reposo.	Gire la llave de arranque a la posición de apagado y espere más de 5 segundos antes de volver a poner en marcha el producto.
El producto se detiene repentinamente durante la conducción	La batería no está cargada.	Utilice únicamente batería(s) oficial(es) de Greenworks. Se necesita al menos una batería totalmente cargada para el funcionamiento.
	La conducción en condiciones viarias accidentadas e irregulares hace que el interruptor de presencia del operario se desconecte.	Aplice el freno de estacionamiento, asegúrese de que el conector del cable esté bien conectado al enchufe del asiento situado debajo del asiento y, a continuación, vuelva a arrancar el producto.
	Fallo del pedal del acelerador.	Contacte con el centro de servicio posventa de Greenworks.
	Fallo del controlador de accionamiento.	Contacte con el centro de servicio posventa de Greenworks.
La cuchilla no funciona tras tirar del interruptor PTO.	No hay batería instalada en el compartimento de la batería o la batería no es una batería oficial de Greenworks.	Utilice únicamente batería(s) oficial(es) de Greenworks. Se necesita al menos una batería totalmente cargada para el funcionamiento.
	La energía de la batería es inferior al 5%.	Compruebe la energía de la batería, si es baja, cargue la batería.
	El interruptor de presencia del operario no funciona correctamente.	Asegúrese de que el conductor esté sentado en el asiento.
	El interruptor (PTO) de las cuchillas no está en la posición correcta antes del encendido.	Empuje el interruptor PTO y vuelva a tirar de él.
	Obstrucción del motor de la cuchilla u otra protección funcional.	Asegúrese de que no haya maleza ni objetos extraños en el punto de conexión entre la cuchilla y el motor. Se recomienda elevar la plataforma y poner en marcha la cuchilla para garantizar un funcionamiento normal antes de ajustar la altura de la plataforma.
	Fallo del controlador de transmisión.	Compruebe el código de error en pantalla. Contacte con el centro de servicio posventa de Greenworks.
La cuchilla se para al cortar la hierba.	Fallo del controlador de la cuchilla.	Compruebe el código de error en pantalla. Contacte con el centro de servicio posventa de Greenworks.
	Sobrecarga del motor de la cuchilla.	Limpie el interior de la plataforma, asegúrese de que no haya una rotación anormal de la cuchilla, pulse el

ES

PROBLEMA	POSIBLE CAUSA	ACCIÓN CORRECTIVA
		interruptor PTO, vuelva a poner en marcha el producto y reduzca la carga de la cuchilla, ya sea elevando la plataforma de corte o reduciendo la velocidad de conducción.
	Temperatura de batería demasiado alta.	No utilice el producto inmediatamente después de finalizar la carga, de lo contrario puede activarse el error de protección de temperatura de la batería.
	La energía de la batería es inferior al 5%.	Cargue la batería.
	La cuchilla ha sido golpeada por un objeto extraño, por lo que se ha detenido repentinamente.	Gire la llave de arranque a la posición de apagado y espere más de 5 segundos antes de volver a poner en marcha el producto.
	Fallo del controlador de transmisión.	Compruebe el código de error en pantalla. Contacte con el centro de servicio posventa de Greenworks.
El cortacésped corta la hierba de forma irregular y la diferencia de altura es muy grande.	La cuchilla está desafilada.	Afile las cuchillas de corte.
	La cuchilla está doblada.	Sustituya la cuchilla siguiendo las instrucciones del manual y lleve equipos de protección.
	Plataforma irregular.	Nivele la plataforma.
La altura de corte real no coincide con la altura de corte marcada que se ha seleccionado.	Los pernos de montaje de la plataforma están flojos.	Apriete firmemente los pernos de montaje de la plataforma. Nota: Es necesario volver a nivelar la plataforma tras ajustar los pernos de montaje.
	La plataforma está gravemente desgastada o dañada.	Sustituya la plataforma.
Marcas anormales del paso del producto	La hierba está demasiado mojada.	Espere que se seque la hierba.
	La hierba es demasiado alta/densa.	Eleve la plataforma y corte la hierba con varias pasadas, ajustando la altura en consecuencia.
Vibración excesiva del producto	Los pernos de la cuchilla están flojos.	Apriete la cuchilla.
	La cuchilla está doblada.	Sustituya la cuchilla doblada siguiendo las instrucciones del manual y lleve guantes de protección.
	Plataforma irregular.	Nivele la plataforma.
	Los pernos de montaje de la plataforma están flojos.	Apriete firmemente los pernos de montaje de la plataforma. Nota: Es necesario volver a nivelar la plataforma tras ajustar los pernos de montaje.
	La hierba es demasiado alta/densa.	Si la hierba es demasiado densa o alta, eleve la plataforma de corte e intente evitar el corte de hierba densa.
Queda hierba o residuos en el suelo después de segar.	La hierba es demasiado alta/densa.	Eleve la plataforma y corte la hierba con varias pasadas, ajustando la altura en consecuencia.
	La hierba está demasiado mojada.	Espere que se seque la hierba.
	La velocidad de conducción es demasiado elevada.	Reduzca la velocidad de conducción.
	La velocidad de corte de las cuchillas es demasiado baja.	Aumente la velocidad de las cuchillas (si corresponde).
Duración corta de segado	La hierba es demasiado alta/densa.	Eleve la plataforma o disminuya la velocidad de las cuchillas (si corresponde) para aumentar el tiempo de uso del cortacésped con una carga.

PROBLEMA	POSIBLE CAUSA	ACCIÓN CORRECTIVA
Cortacésped difícil de controlar	Presiones distintas de los neumáticos	Compruebe periódicamente la presión de los neumáticos del cortacésped según las instrucciones del manual.
El producto no arranca tras el lavado.	Limpieza inadecuada; ha penetrado agua en la pantalla de visualización digital, el compartimento de la batería u otros componentes electrónicos.	<ol style="list-style-type: none"> 1. Siga las instrucciones para limpiar el producto. 2. Si el producto se moja accidentalmente, déjelo en un lugar seco durante 12 horas o séquelo antes de volver a ponerlo en marcha. 3. Contacte con el centro de servicio posventa de Greenworks.
El cortacésped está bloqueado.	Maleza y residuos acumulados en la plataforma.	Siga las instrucciones para limpiar el producto después de cada uso.
El producto con freno de estacionamiento se desliza en pendiente.	Desgaste grave de los neumáticos.	Contacte con el centro de servicio posventa de Greenworks para sustituir los neumáticos.
	El freno de estacionamiento está dañado o seriamente desgastado.	Contacte con el centro de servicio posventa de Greenworks para sustituir el freno de estacionamiento.
	El freno de estacionamiento se suelta manualmente.	Compruebe el freno de estacionamiento y restablézcalo a la posición inicial. Contacte con el centro de servicio posventa de Greenworks.
Dirección incorrecta de las ruedas delanteras	Compruebe si hay objetos extraños atascados en el conjunto de engranajes.	Retire los objetos extraños.
	Falta de lubricación.	Añada lubricante.
	Compruebe si hay daños o deformaciones en el cabezal de dirección o en las piezas del rodamiento de la articulación.	Sustituya las piezas dañadas o póngase en contacto con el centro de servicio posventa de Greenworks.
Fallo del eje de transmisión	Hay fugas de aceite del cambio.	Contacte con el centro de servicio posventa de Greenworks.
	Calentamiento de los cubos de las ruedas	
	Ruidos inusuales	
Fallos en la dirección de las ruedas delanteras	El conjunto de engranajes está desgastado por el uso prolongado.	Sustituya el conjunto de engranajes.
	Cabezal de dirección, pernos del rodamiento de la rótula sueltos.	Compruebe si hay tuercas de bloqueo de la barra de dirección sueltas. Para apretarlos, contacte con el centro de servicio posventa de Greenworks.

12 DATOS TÉCNICOS

Nº de modelo		CRT306	CRT308 (7426902)	CRT308 (7427802)
Tensión		60 V	80 V	80 V
Longitud		64,8 pulg./164,7 cm		
Altura		41,7 pulg./106 cm		
Anchura (con descarga)		43 pulg./109 cm		
Anchura de plataforma		43 pulg./109 cm		
Velocidad de conducción		6 mph		
Siega	Velocidad marcha hacia delante	2,5/4,5 mph		
	Velocidad marcha atrás	2,5 mph		
Velocidad de la cuchilla		2300 rpm		
Velocidad sin carga		2300 rpm		
Tiempo de carga		3 h (con cargador de 600 W)	3 h (con cargador de 600 W)	3 h (con cargador de 600 W)
Modelo de cargador		CV30KWC y otras series CAC	CAB80012 y otras series CAB	CAB80012 y otras series CAB
Modelo de batería		LB6081, LB6042 y otras series BAC	BAB742 y otras series BAB	BAB742, BAB743 y otras series BAB

El estado del cargador y la batería recomendados:

Temperatura de almacenamiento del producto		32 °F ~ 95 °F (0 °C ~ 35 °C)
Temperatura de funcionamiento del producto		7 °F ~ 104 °F (-14 °C ~ 40 °C)
Temperatura de almacenamiento de la batería	menos de 1 meses	32 °F ~ 122 °F (0 °C ~ 50 °C)
	menos de 3 meses	32 °F ~ 104 °F (0 °C ~ 40 °C)
	más de 3 meses	32 °F ~ 68 °F (0 °C ~ 20 °C)
Temperatura de funcionamiento del cargador		32 °F ~ 104 °F (0 °C ~ 40 °C)
Temperatura de carga de la batería		32 °F ~ 104 °F (0 °C ~ 40 °C)
Temperatura de descarga de la batería		7 °F ~ 104 °F (-14 °C ~ 40 °C)

13 GARANTÍA

Por la presente, Greenworks garantiza este producto, al comprador original con el comprobante de compra, durante un periodo de cuatro (4) años o 200 horas de uso (lo que se dé primero) frente a defectos en materiales, piezas o mano de obra. A su entera discreción, Greenworks reparará o sustituirá cualquiera y todas las piezas que resulten ser defectuosas, con un uso normal, sin coste alguno para el cliente. Esta garantía es válida únicamente para unidades que se hayan utilizado para uso personal que no han sido arrendadas o alquiladas para uso industrial/comercial y cuyo mantenimiento se ha realizado de acuerdo con las instrucciones del manual del propietario suministrado con el producto nuevo.

13.1 ARTÍCULOS NO CUBIERTOS POR LA GARANTÍA:

1. Cualquiera que haya sido transferido a un nuevo propietario. Esta garantía solo es aplicable al comprador original de un vendedor o distribuidor autorizado de Greenworks. Esta garantía no es transferible.
2. Cualquier pieza que no funcione debido a mal uso, uso en alquiler, uso comercial, abuso, negligencia, accidente, mantenimiento inadecuado, modificación del producto, reparación o alteración no autorizada; o
3. Si el artículo no ha sido utilizado o mantenido de acuerdo con el manual del propietario; o

4. Desgaste normal.
5. Las piezas o servicios de mantenimiento rutinario incluyen, sin limitación: lubricantes, desgaste del asiento del cortacésped, afilado de las cuchillas, ruedas, niveles, ruedas anti-calvas, cuchillas, así como cualquier otro accesorio opcional.
6. Deterioro normal del acabado exterior debido al uso o la exposición.
7. Los daños o fallos derivados de, pero no de forma exclusiva: inmersión en agua u otros líquidos, accidentes, mal uso, negligencia o falta de instalación adecuada, así como mantenimiento y almacenamiento adecuados.
8. Un artículo que no haya sido registrado en un sitio web autorizado de Greenworks (véase la información de REGISTRO con código QR o la información de la página del producto para el registro correcto del producto).

13.2 LÍNEA DE ASISTENCIA TELEFÓNICA

Puede contactar con el servicio de garantía llamando a nuestra línea de asistencia telefónica gratuita, a 1-855-345-3934.

14 REGISTRO DE PRODUCTO DE GREENWORKS

NOMBRE:			
DIRECCIÓN:			
CIUDAD:	ESTADO:	CÓDIGO POSTAL:	PAÍS:
TELÉFONO FIJO:		TELÉFONO MÓVIL:	
FECHA DE COMPRA:		COMPRADO A:	

15 NÚMERO(S) DE SERIE

Indique el número o números de serie a continuación junto con la información del modelo:

13.3 COSTES DE TRANSPORTE:

Los costes de transporte por el desplazamiento de cualquier unidad o accesorio de equipos eléctricos son responsabilidad del comprador. Es responsabilidad del comprador pagar los costes de transporte de cualquier pieza enviada para su sustitución bajo esta garantía, a menos que dicha devolución sea solicitada por escrito por Greenworks.

Dirección en EE.UU.: Dirección en Canadá:

Greenworks Tools

Greenworks Tools Canada Inc.

P.O. Box 1238

P.O. Box 93095, Newmarket, Ontario

Mooresville, NC 28115

L3Y 8K3

ES

DESCRIPCIÓN	Nº DE MODELO	Nº DE PIEZA	Nº DE SERIE	FECHA DE COMPRA

16 ERRORES

El sistema CANBUS emprenderá acciones para proteger al usuario y al producto cuando detecte un problema. Cuando actúe para apagar el producto o un componente, se indicará que se ha producido un error y dicho error se mostrará en la pantalla digital. Todos los errores eléctricos tienen un código de letra seguida por un número. La primera letra describe el sistema que ha generado el error de acuerdo con la siguiente tabla:

Nombre	Significado
A	Controlador y motor de propulsión
PMU	Unidad de gestión de alimentación (en el compartimento de la batería)
M	Controlador de cuchilla y motor

16.1 CÓDIGO DE ERROR

Código de error	Descripción	Solución
T2	Motor de accionamiento parado	Compruebe si las ruedas motrices están atascadas y reinicie la alimentación eléctrica.
T5	Error del codificador del motor	Compruebe que el conector del controlador de accionamiento está conectado correctamente y, a continuación, reinicie la fuente de alimentación.
T6	Pérdida de fase del controlador	Compruebe que los cables del motor del controlador de accionamiento están conectados correctamente y, a continuación, reinicie el suministro eléctrico.
T7	Error de circuito abierto del MOSFET	Si se encuentra con este problema, póngase en contacto con su distribuidor para encontrar una solución.
T8	Bajo voltaje del controlador	La tensión es demasiado baja. Cargue la batería antes de usar.
T9	Sobretensión del controlador	La tensión es demasiado alta. Reinicie la fuente de alimentación.
T12	Sobretemperatura del motor	La temperatura del motor es demasiado alta. Espere a que el motor se enfríe y reinicie la fuente de alimentación.
T13	Sobretemperatura del controlador	La temperatura del controlador es demasiado alta. Espere a que el controlador se enfríe y luego reinicie la fuente de alimentación.
T15	Sobrecorriente de hardware	La carga es demasiado elevada. Reinicie la fuente de alimentación.
T16	Error del acelerador	Compruebe que el acelerador de la palanca está conectado correctamente y, a continuación, reinicie la alimentación.
T19	Error de secuencia de funcionamiento	No pise el pedal del acelerador al arrancar el producto.
T23	Fallo de comunicación del compartimento de la batería (PMU)	Fallo de comunicación con el compartimento de la batería. Reinicie la fuente de alimentación.
T24	Fallo del compartimento de la batería (PMU)	Error menor/mayor en el compartimento de la batería. Realice una comprobación y reinicie la fuente de alimentación.
T31	Interruptor del asiento anómalo	Compruebe que el conector situado debajo del asiento está conectado correctamente y, a continuación, reinicie la alimentación eléctrica.
T32	Error de autenticación del software	Reinicie la fuente de alimentación.
T63	Fallo del sensor de temperatura del motor de accionamiento	Compruebe si el conector de 6 patillas del motor de accionamiento está bien conectado. Si el error no desaparece después de reiniciar, póngase en contacto con su distribuidor para obtener una solución.
M2	Motor de accionamiento parado	Compruebe si las ruedas motrices están atascadas y reinicie la alimentación eléctrica.
M3	Protección contra baja velocidad del motor	Reinicie la fuente de alimentación.
M4	Protección contra sobrevelocidad del motor	Reinicie la fuente de alimentación.
M6	Pérdida de fase del controlador	Compruebe que los cables del motor del controlador de accionamiento están conectados correctamente y, a continuación, reinicie el suministro eléctrico.
M7	Error de circuito abierto del MOSFET	Si se encuentra con este problema, póngase en contacto con su distribuidor para encontrar una solución.
M8	Bajo voltaje del controlador	La tensión es demasiado baja. Cargue la batería antes de utilizarla.

Código de error	Descripción	Solución
M9	Sobretensión del controlador	La tensión es demasiado alta. Reinicie la fuente de alimentación.
M13	Sobret temperatura del controlador	La temperatura del controlador es demasiado alta. Espere a que el controlador se enfríe y luego reinicie la fuente de alimentación.
M15	Sobrecorriente de hardware	La carga es demasiado elevada. Reinicie la fuente de alimentación.
M19	Error de secuencia de funcionamiento	Vuelva a colocar el interruptor de las cuchillas en su posición inicial. Compruebe que el interruptor de recogida de hierba está conectado correctamente y si el recogedor de hierba o la cubierta trasera presionan el interruptor de recogida de hierba. Siéntese en el asiento e inténtelo de nuevo.
M26	Error de tiempo de espera CAN - accionamiento	Error de comunicación con el controlador del accionamiento. Reinicie la fuente de alimentación.
M31	Señal de interruptor de cuchilla anómala	Compruebe que el interruptor de la cuchilla está conectado correctamente y, a continuación, vuelva a colocarlo en su posición inicial.
M33	Señal de interruptor de recogida de hierba anómala	Compruebe que el interruptor de recogida de hierba está conectado correctamente.
PMU10	Circuito abierto en la batería de la PMU	Batería desconectada en el compartimento de la batería; el rendimiento del producto puede verse afectado.
PMU1	Overcurrent-Level1	La carga de la PMU es demasiado elevada. El fallo se resolverá automáticamente cuando baje la carga.
PMU2	Sobret temperatura - Nivel 1	La temperatura de la PMU es demasiado alta. El fallo se resolverá automáticamente cuando baje la temperatura.
PMU3	Sobret temperatura en módulo de retroalimentación - Nivel 1	El fallo se resolverá automáticamente cuando baje la temperatura.
PMU32	Overcurrent-Level2	La carga de la PMU es demasiado elevada. Reinicie la fuente de alimentación.
PMU33	Sobrecorriente de hardware	La carga de la PMU es demasiado elevada. Reinicie la fuente de alimentación.
PMU34	Sobrecorriente de hardware	Reinicie la fuente de alimentación.
PMU35	Sobret temperatura - Nivel 2	La temperatura de la PMU es demasiado alta. Espere a que baje la temperatura y reinicie la fuente de alimentación.
PMU36	Subtensión	La tensión es demasiado baja. Cargue la batería e inténtelo de nuevo.
PMU37	Sobretensión	La tensión es demasiado alta. Reinicie la fuente de alimentación.
PMU38	Fallo de salida de la fuente de alimentación	Reinicie la fuente de alimentación.
PMU39	Sobret temperatura en módulo de retroalimentación - Nivel 2	Espere a que baje la temperatura y reinicie la fuente de alimentación.
PMU40	Sobrecalentamiento de la resistencia de potencia en el módulo de retroalimentación	Espere a que baje la temperatura y reinicie la fuente de alimentación.
PMU41	No hay batería disponible	Compruebe que está utilizando la batería correcta y reinicie la fuente de alimentación.
PMU42	Baja temperatura de la batería	Asegúrese de que la temperatura ambiente es superior a 0 grados Celsius.
PMU43	Error de comunicación de la batería	Sustituya la batería.

Código de error	Descripción	Solución
PMU44	Fallo de autodiagnóstico del microcontrolador	Reinicie la fuente de alimentación y póngase en contacto con su distribuidor para obtener una solución.
PMU45	Temperatura elevada de la batería	Espere a que baje la temperatura y reinicie la fuente de alimentación.
PMU46	Fallo del circuito de alimentación	Póngase en contacto con su distribuidor para obtener una solución.
PMU47	Fallo de precarga	Reinicie la fuente de alimentación y póngase en contacto con su distribuidor para obtener una solución.
PMU48	Fallo del hardware de precarga	Póngase en contacto con su distribuidor para obtener una solución.
PMU49	Fallo del sensor de temperatura MOS negativa	Póngase en contacto con su distribuidor para obtener una solución.
PMU50	Fallo del sensor de temperatura MOS de retroalimentación	Póngase en contacto con su distribuidor para obtener una solución.
PMU51	Error de tensión de accionamiento en el módulo de retroalimentación	Póngase en contacto con su distribuidor para obtener una solución.
PMU52	Fallo del sensor de corriente	Póngase en contacto con su distribuidor para obtener una solución.
PMU53	Fallo del controlador de la resistencia de potencia en el módulo de retroalimentación	Póngase en contacto con su distribuidor para obtener una solución.
PMU54	Corriente BIAS de barra colectora	Póngase en contacto con su distribuidor para obtener una solución.
PMU55	Fallo de hardware CAN	Póngase en contacto con su distribuidor para obtener una solución.
PMU56	Otros errores	Reinicie la fuente de alimentación.
PMU57	Error KSI Pre-MOS	Póngase en contacto con su distribuidor para obtener una solución.
PMU58	Fallo de la tapa abatible	Vuelva a reiniciar y compruebe el conector del interruptor del asiento.
PMU59	Error KSI MOS	Póngase en contacto con su distribuidor para obtener una solución.
PMU61	1# La batería no coincide	Seleccione la batería adecuada.
PMU62	2# La batería no coincide	Seleccione la batería adecuada.
PMU65	5# La batería no coincide	Seleccione la batería adecuada.
PMU66	6# La batería no coincide	Seleccione la batería adecuada.
PMU67	Estado de carga anómala	Compruebe si la toma de carga está bien conectada o si la clavija de entrada del cargador está bien insertada.

greenworks[®]

www.greenworkstools.com

