



KEY #: _____
SERIAL #: _____

IMPORTANT: Record the serial and key numbers from the back of the cabinet. You will need the key number information in order to replace lost keys. Do not store this document in your security cabinet. Keep keys in a secure place away from children.

NOTE: Assemble non-moveable shelving and barrel rests before mounting the cabinet to a wall or floor (if applicable) Exterior access is required for assembling these items. Review these instructions prior to installation.

PARTS LIST:

- 1. Steel Cabinet (1)
- 2. Screws (4)
- 3. Washers (4)
- 4. Expansion bolt (4)

CABINET MOUNTING INSTRUCTIONS

Selecting a Location

Your Security Cabinet should be installed in an isolated, dry and secure area.

For greater security the cabinet must be fastened to a solid surface with a minimum space on either side. Ideally the cabinet would be installed on the side wall of a closet.

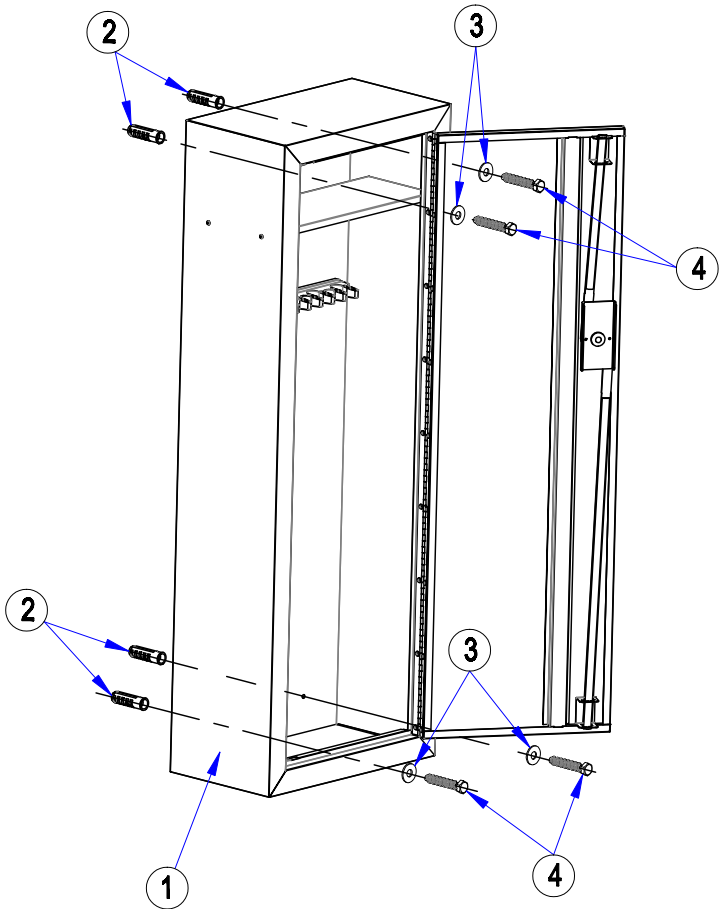
The cabinet should be flat against the wall and floor. Remove the baseboard if necessary.

Assembly Instructions

WARNING: It is recommended that the Combat Cabinet be secured to the wall or floor to prevent injury from the cabinet tipping over.

Note: The process below is for use on a wood floor only. If you are drilling into a different type of floor or wall, you will need to purchase the correct hardware from your local store. Hardware is provided to secure your cabinet to a wood floor.

- 1. Take the keys out of the polybag on the door, open the cabinet, and use the parts list to check that all components are there.
- 2. Put the screw into the washer, then add them into the expansion bolt. Screw them into the predrilled mounting holes in the back of the Combat Cabinet. Tighten and secure the cabinet. Failure to complete this step before assembly may result in serious injury due to the possibility of the cabinet falling over.
- 3. The cabinet is now ready for use.





LIMITED THREE-YEAR WARRANTY

SURELOCK SECURITY COMPANY | CABINETS & NON-FIRE RATED SAFES

SureLock Security Company (“SureLock”, “SureLock Security”, or “SureLock Security Co.”) Cabinets and Non-fire rated safes, are warranted to be free from defects in material and workmanship for a period of three (3) years from the date of original purchase by a consumer. This warranty extends to the initial consumer only and is non-transferable.

If you believe there is a defect in material or workmanship in your Cabinet or Non-fire rated safe, during the three-year warranty period, please contact our customer service department via email or phone. Please include with your correspondence proof of purchase information, serial number and the model number of the product. If you call, SureLock may ask that proof of original purchase be supplied.

SureLock Security Company
Email: service@surelock-security.com
Phone: 877.303.3134

If SureLock Security is properly notified during the three-year warranty period and, after inspection confirms there is a defect, SureLock will, at its sole option, provide repair parts or exchange the product at no charge, or refund the purchase price of the product.

THIS WARRANTY DOES NOT COVER ANY PRODUCT, OR ANY PART OF ANY PRODUCT, WHICH HAS BEEN SUBJECT TO EXCESSIVE USE, ACCIDENT, NEGLIGENCE, ABUSE OR MISUSE, INCORRECT MAINTENANCE, ALTERATION OR REPAIR BY ANYONE OTHER THAN SURELOCK OR A DESIGNATED SURELOCK PARTNER. IN ADDITION, THIS WARRANTY DOES NOT COVER ANY ACCESSORIES OR PARTS USED WITH OR IN THE PRODUCT, WHICH ARE NOT INCLUDED WITH THE ORIGINAL PURCHASE.

THIS WARRANTY IS EXCLUSIVE AND EXPRESSLY IN LIEU OF ALL OTHER WARRANTIES EXPRESSED OR IMPLIED INCLUDING THE WARRANTIES OF MERCHANTABILITY AND FITNESS FOR A PARTICULAR PURPOSE, WHICH ARE HEREBY DISCLAIMED AND EXCLUDED. SURELOCK SECURITY SHALL NOT BE SUBJECT TO ANY OTHER OBLIGATIONS OR LIABILITIES. SURELOCK SECURITY NEITHER ASSUMES NOR AUTHORIZES ANY OTHER PERSON TO ASSUME FOR IT, ANY OTHER LIABILITY IN CONNECTION WITH THE SALE OF SURELOCK SECURITY COMPANY’S CABINETS OR NON-FIRE RATED SAFES.

SURELOCK SECURITY CO. WILL NOT, UNDER ANY CIRCUMSTANCES, BE LIABLE TO THE INITIAL CONSUMER FOR ANY INCIDENTAL, CONSEQUENTIAL, SPECIAL, EXEMPLARY, OR PUNITIVE DAMAGES ARISING OUT OF THE PURCHASE OR USE OF ANY SURELOCK CABINETS OR NON-FIRE RATED SAFES.

SURELOCK’S LIABILITY FOR ANY BREACH OF THIS WARRANTY SHALL BE LIMITED EXCLUSIVELY TO REPAIR OR REPLACEMENT OF THE DEFECTIVE PRODUCT, AS DESCRIBED ABOVE, OR A REFUND OF THE PURCHASE PRICE OF THE PRODUCT.

IN NO EVENT SHALL SURELOCK SECURITY’S OBLIGATION UNDER THIS WARRANTY EXCEED THE PRICE OF THE PRODUCT.

THIS WARRANTY GIVES YOU SPECIFIC LEGAL RIGHTS. YOU MAY ALSO HAVE OTHER RIGHTS WHICH VARY FROM STATE TO STATE.