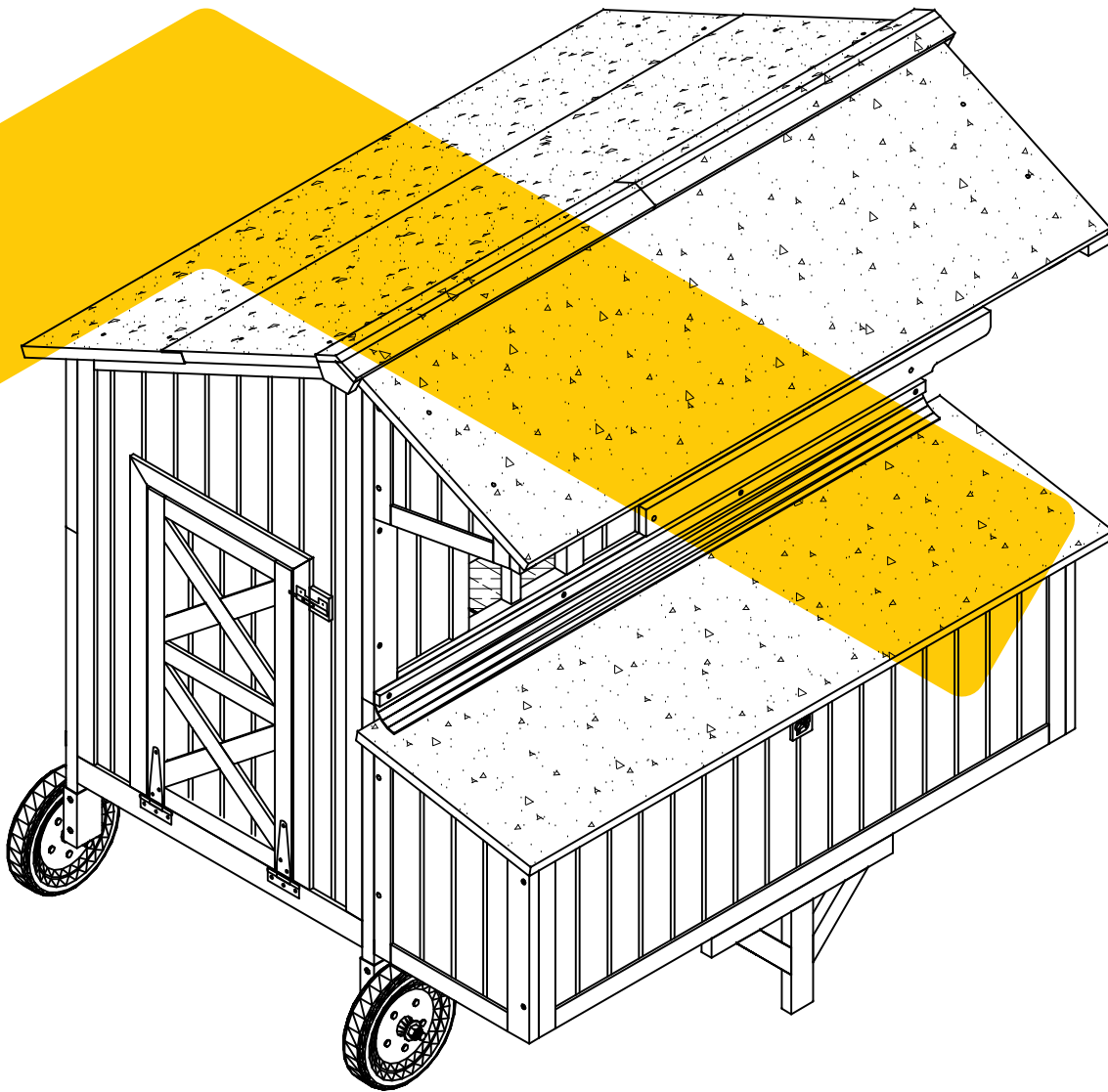


INSTRUCTION MANUAL

AIR96





NOTICE

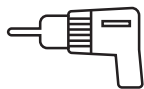
Please retain these instructions for future

- Firmly secure all bolts, screws and knobs before use.
- Reconfirm that all bolts, screws, and knobs are secure every 90 days.
- Fasten screws loosely during initial assembly. Do not fully tighten screws until the item is completely assembled.
- Do not use or store this item in the proximity of open flame or flammable/combustible chemicals.
- Be aware that some parts are heavy and have sharp edges.
- Be aware that moving parts can injure, crush and cut.
- If any parts are missing, broken, damaged, or worn, stop using this product until repairs are made and/or factory replacement parts are installed.
- Do not use this item in a way inconsistent with the manufacturer's instructions as this could void the product warranty.

TOOLS REQUIRED



PHILLIPS
SCREWDRIVER



DRILL
(RECOMMENDED)



2PERSON
ASSEMBLY



APPROXIMATELY
60MIN. ASSEMBLY

HARDWARE

M6.0x65mm BOLT
4 PCS+1 spare



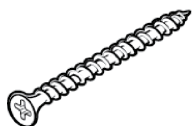
P1

M6.0x50 mm SCREW
12PCS+1 spare



P2

M3.5x60 mm SCREW
2PCS+1 spare



P3

M3.5x50 mm SCREW
28PCS+1 spare



P4

M3.5x40 mm SCREW
20PCS+1 spare



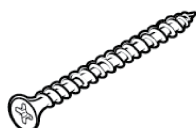
P5

M3.5x25 mm SCREW
12PCS+1 spare



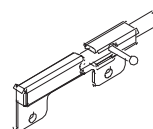
P6

M3.0x16mm SCREW
60PCS+1 spare



P7

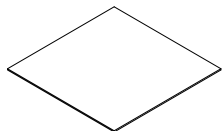
Spring latch
2PCS



P8

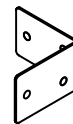
HARDWARE

Waterproof PVC
1PC



P9

Corner Bracket
8PCS



P10

Corner bracket
4PCS

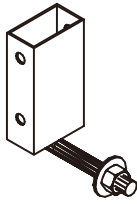


P11

PARTS

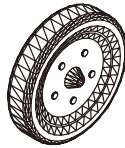
CARTON 1/2

Caster connect parts
2PCS



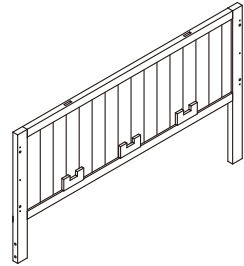
A

Casters
2PCS



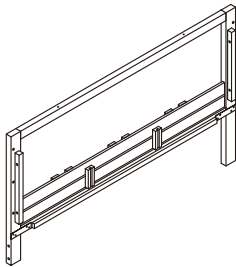
B

Back panel-Down
1PC



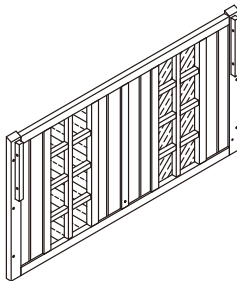
C

Front panel-Down
1PC



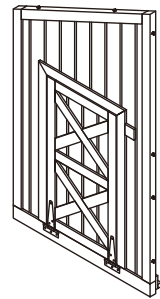
D

Front panel-Upper
1PC



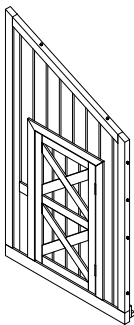
E

Left panel
1PC



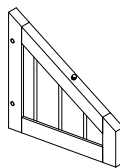
F

Right panel
1PC



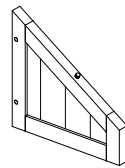
G

Left panel of roof
1PC



J1

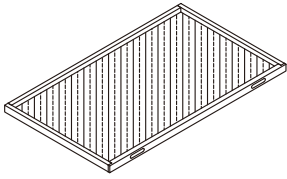
Right panel of roof
1PC



J2

PARTS

Tray
1PC



S

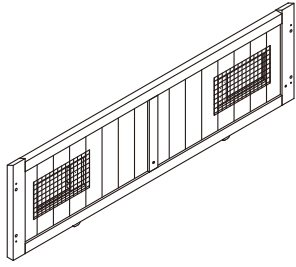
Hardware bag



PARTS

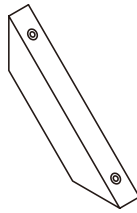
CARTON 2/2

Back panel-Upper
1PC



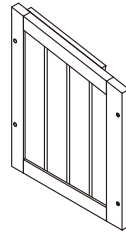
H

Coop Supports
2PCS



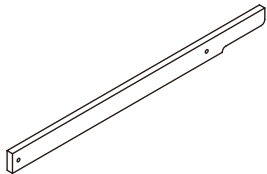
K

Left panels of nesting box
1PC



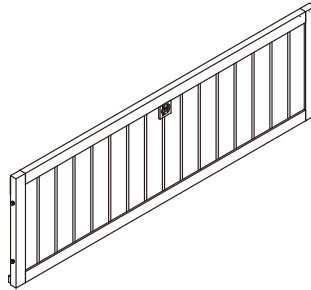
I1

Push handle
2PCS



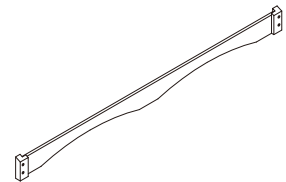
L

Front panel of nesting box
1PC



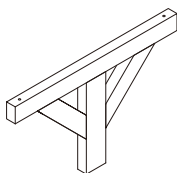
M

Front panel of roof
1PC



N

Support frame
1PC



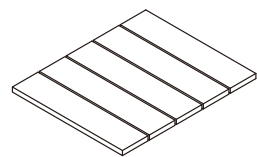
O

Divider of nesting box
2PCS



P

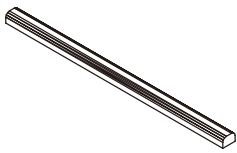
Nesting box floors
3PCS



Q

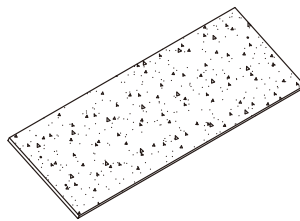
PARTS

Perches
3PCS



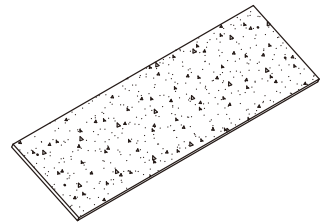
R

Roof of coop
1PC



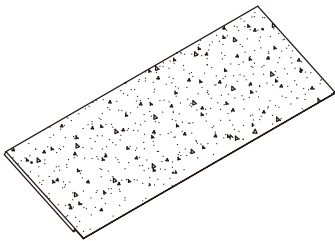
T

Roof of coop
1PC



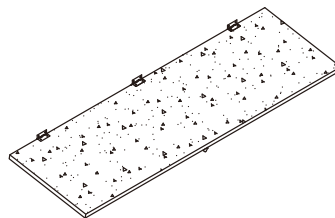
U

Roof of coop
1PC



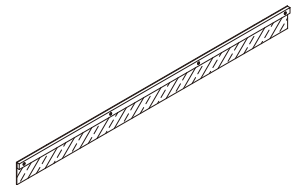
V

Roof of nesting box
1PC



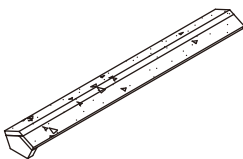
W

Waterproof strip
1PC



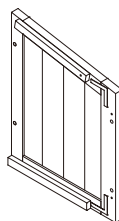
X

Roof cap
2PCS



I

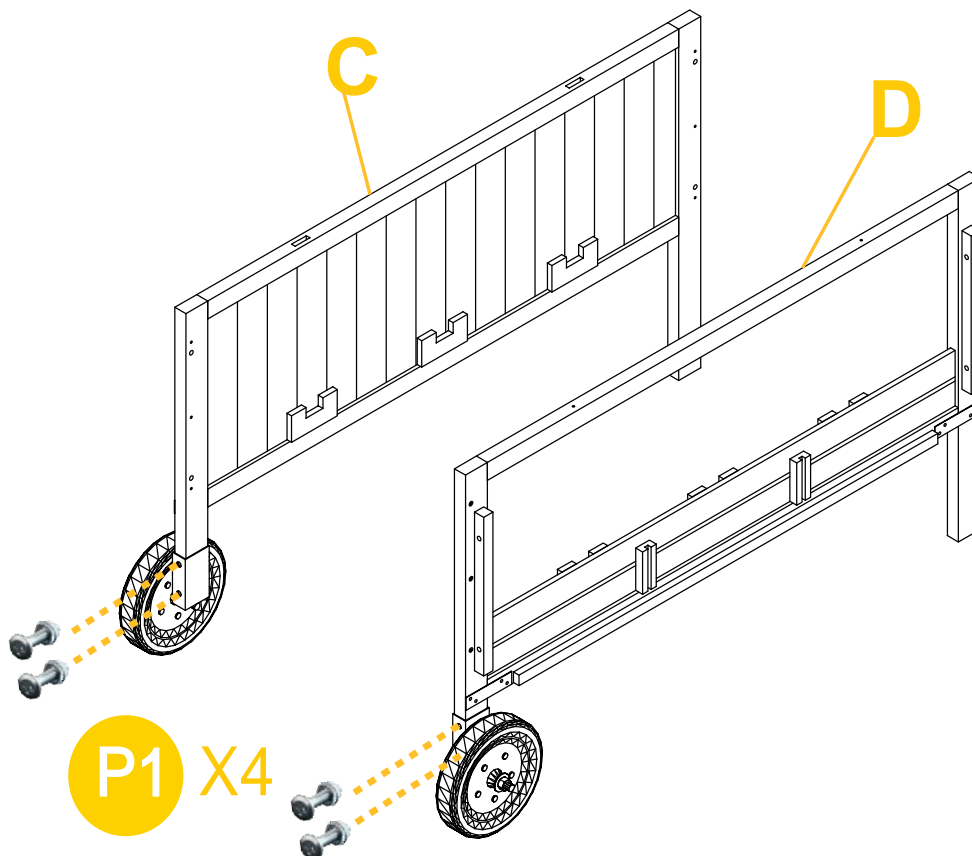
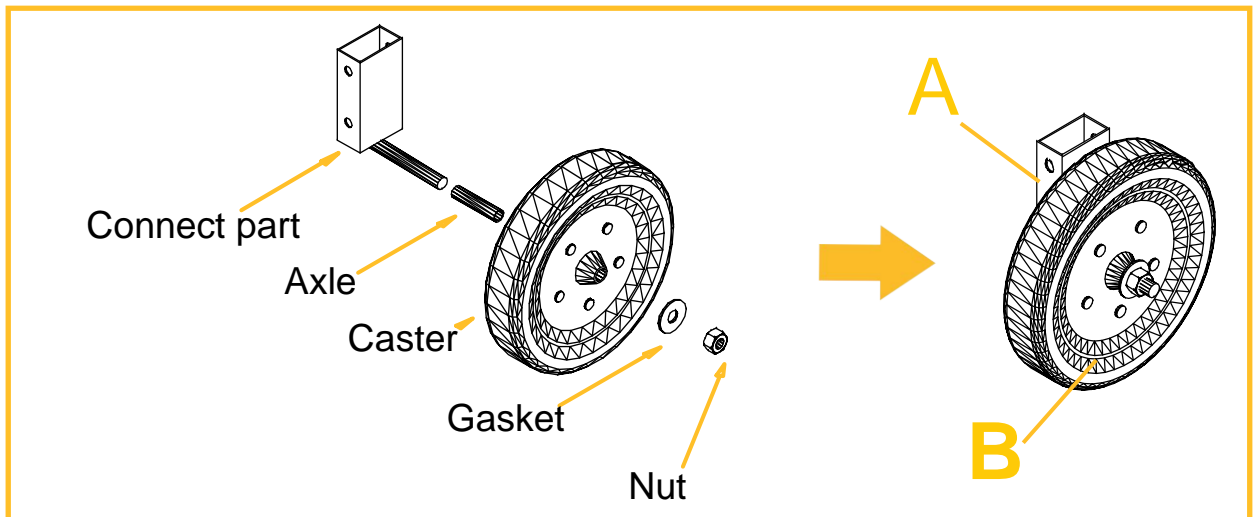
Right panels of nesting box
1PC



I2

PRODUCT ASSEMBLY

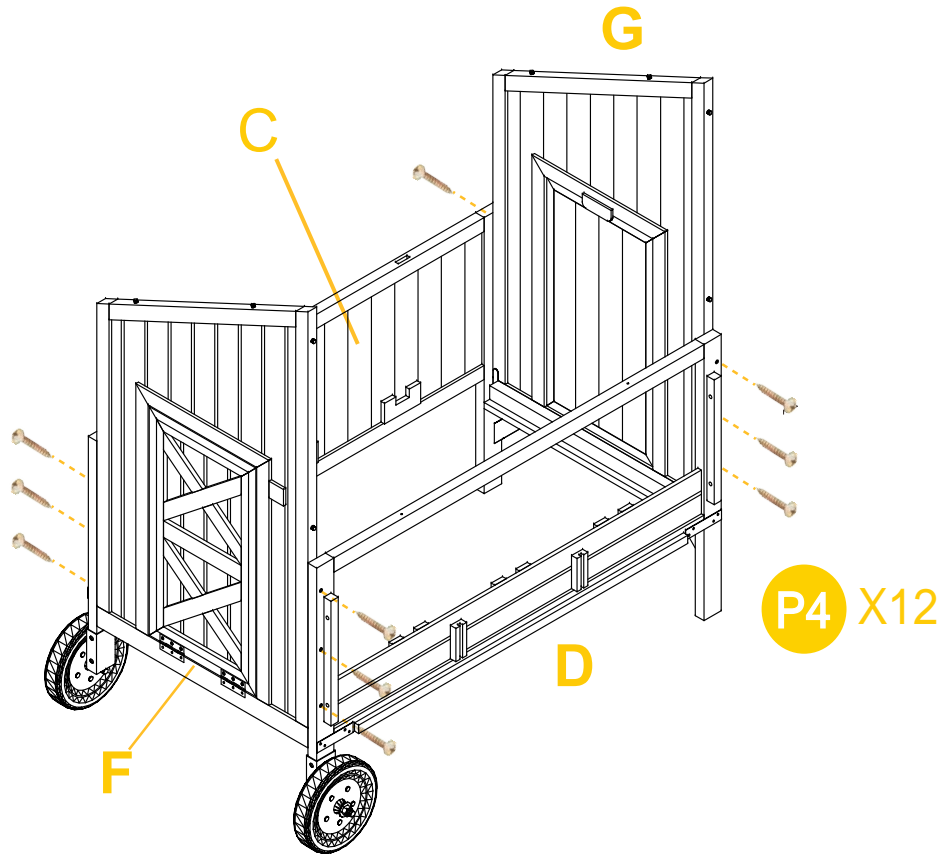
- 01** Attach Part H by 4 X P4 screws, then attach Part E to Part D by 6 X P4 & 2 X P3 screws.
Attach the coop supports Part K to right panel by 4 X P4 screws.



PRODUCT ASSEMBLY

02

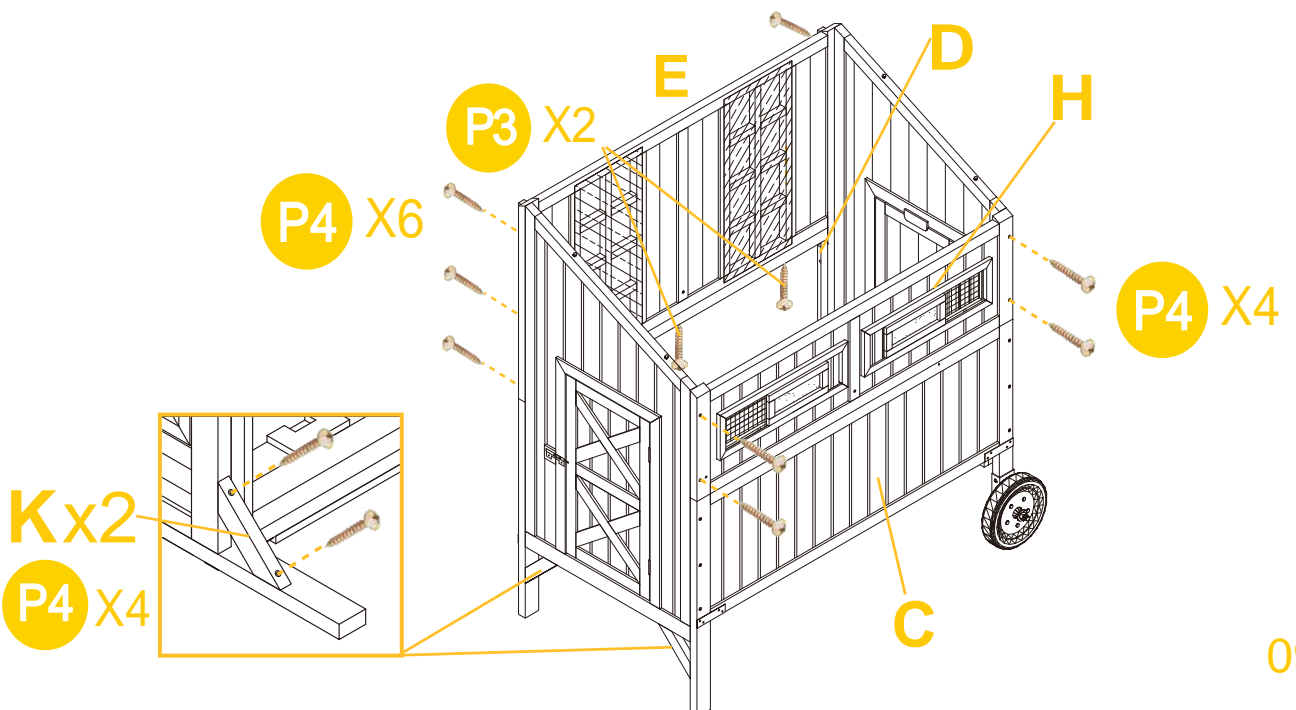
Attach the Part F & Part G to side panel Part C & Part D by 12 X P4 screws.



03

Attach Part H to Part C by 4 X P4 screws, then attach Part E to Part D by 6 X P4 & 2 X P3 screws.

Attach the coop supports Part K to right panel by 4 X P4 screws.

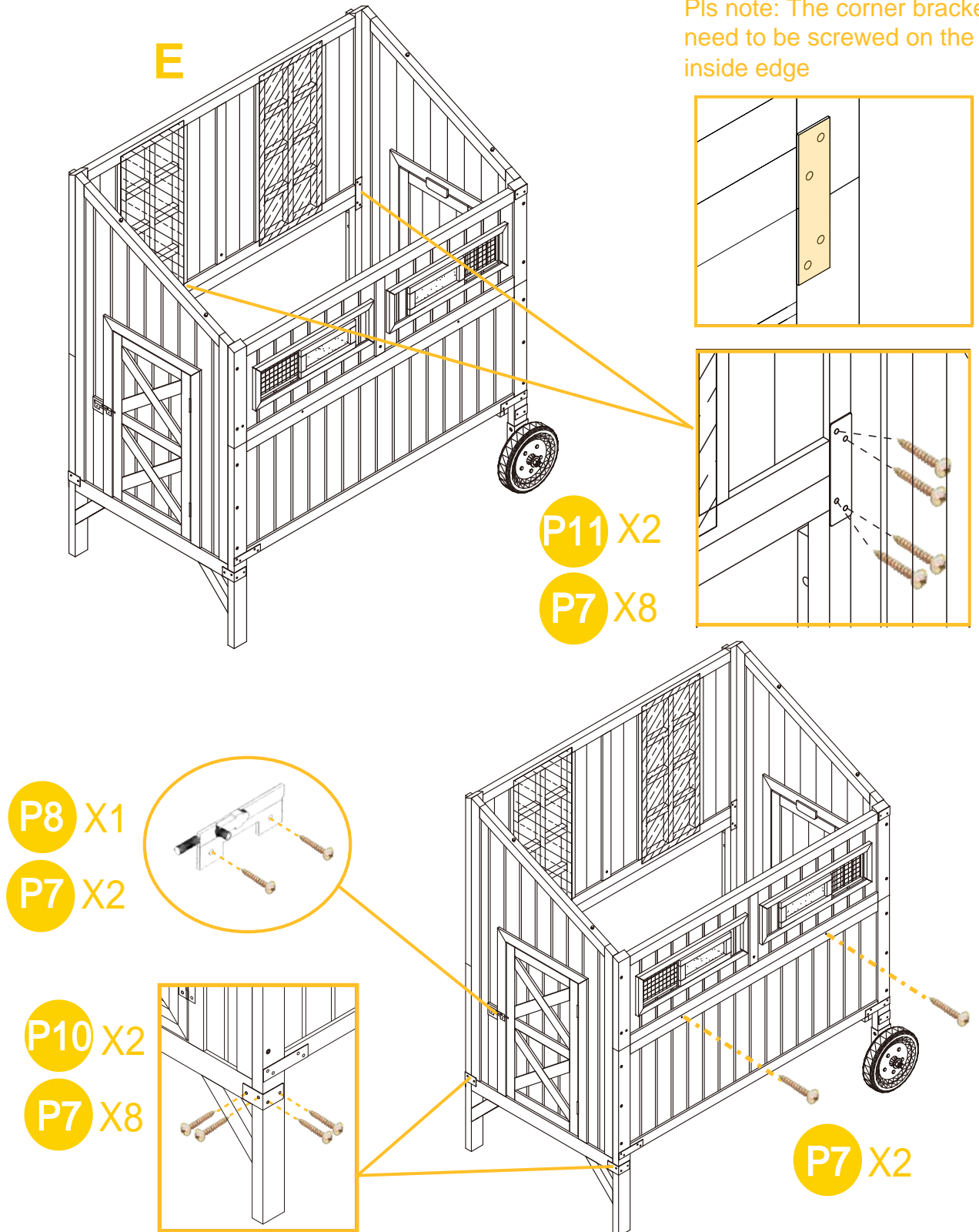


PRODUCT ASSEMBLY

04

Attach the Corner bracket P11 to Front panel Part E by 4 X P7 screws each side. Attach the latch P8 to door by 2 X P7 screws, then attach the corner bracket 2xP10 to the corner by 4xP7 each side.

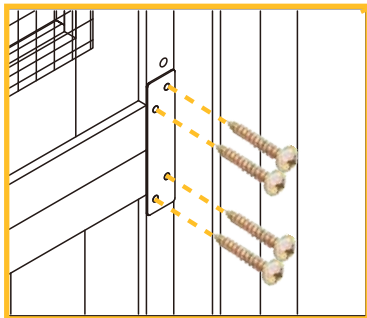
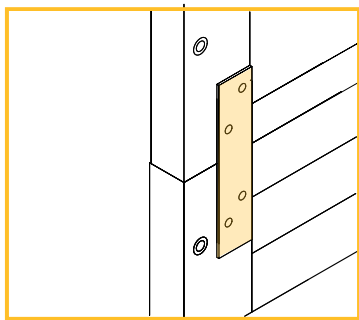
Pls note: The corner bracket need to be screwed on the inside edge



PRODUCT ASSEMBLY

05 Attach the Corner bracket P11 to Back panel Part H by 4 X P7 screws each side.
Attach the latch P8 to door by 2 X P7 screws, then attach the corner bracket 2xP10 to the corner by 4xP7 each side.

Pls note: The corner bracket need to be screwed on the inside edge

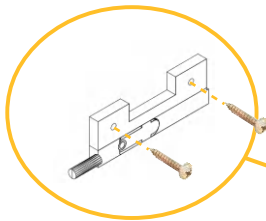


P11 X2

P7 X8

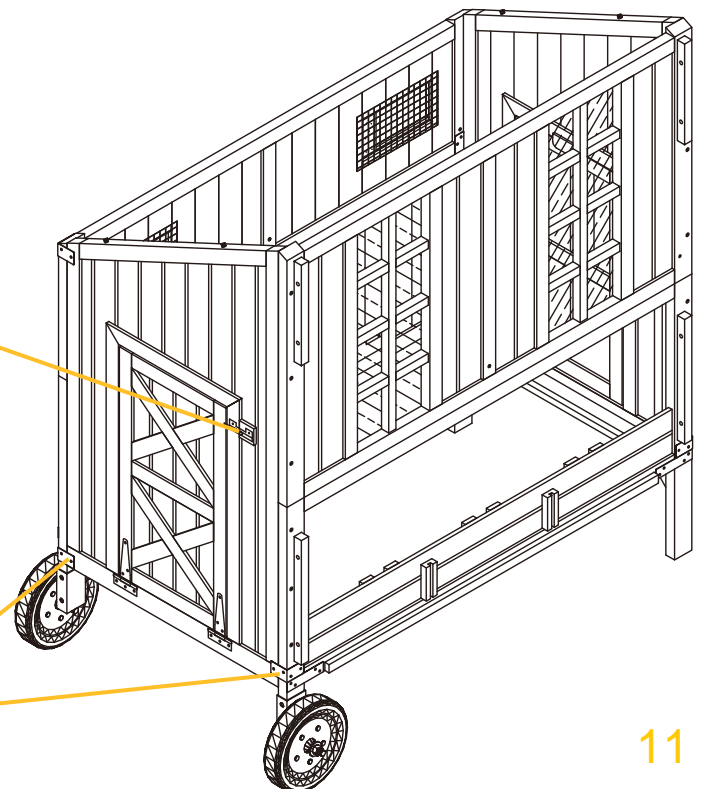
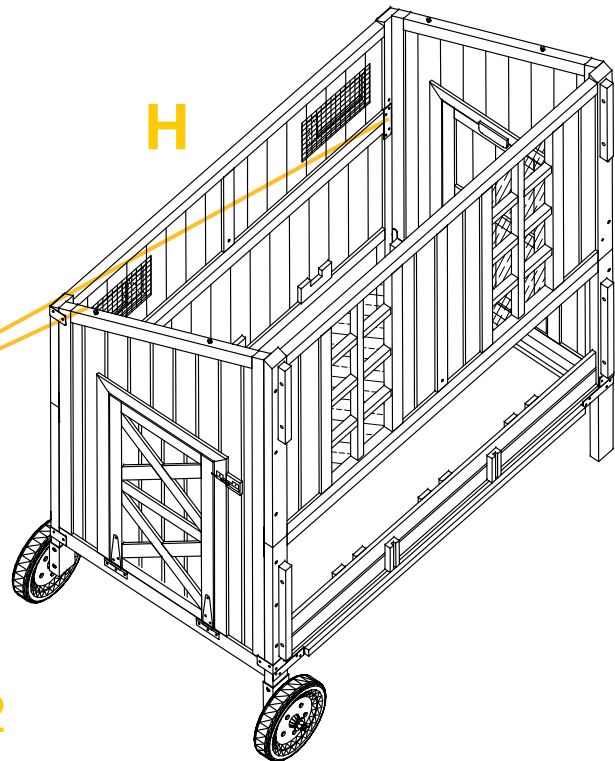
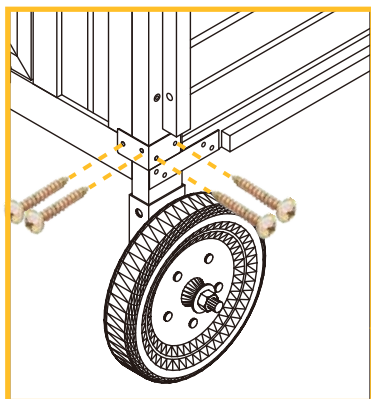
P8 X1

P7 X2



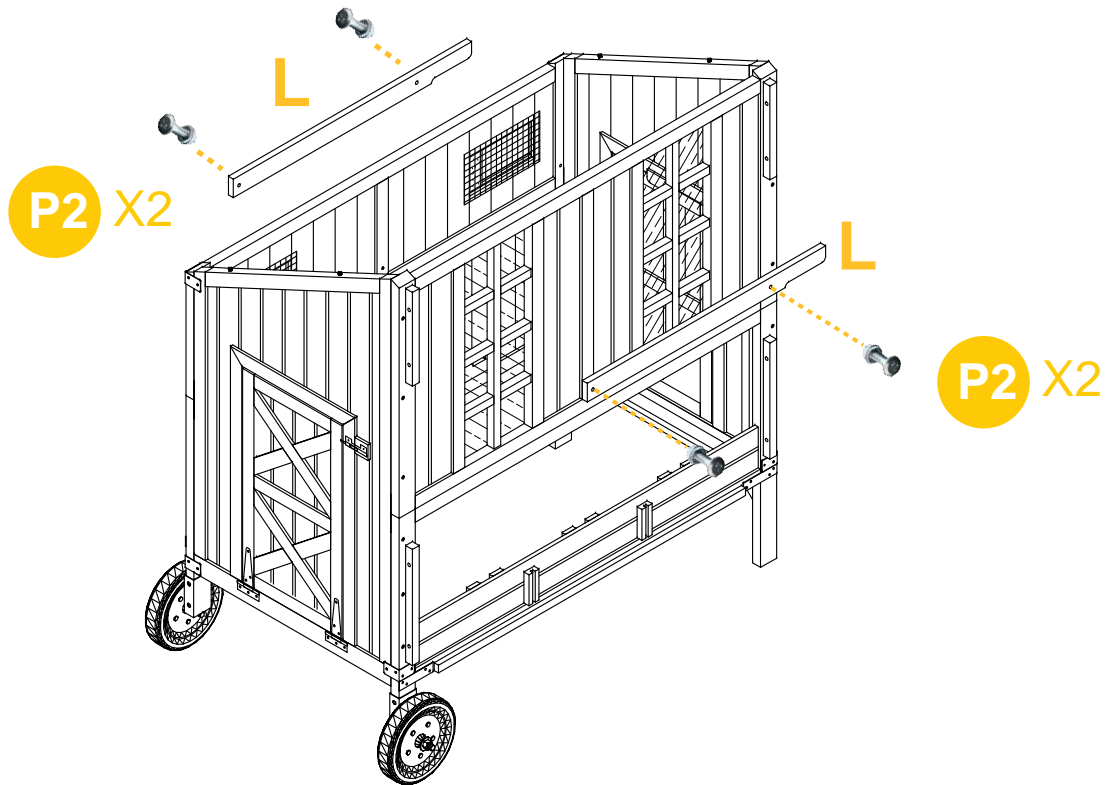
P10 X2

P7 X8

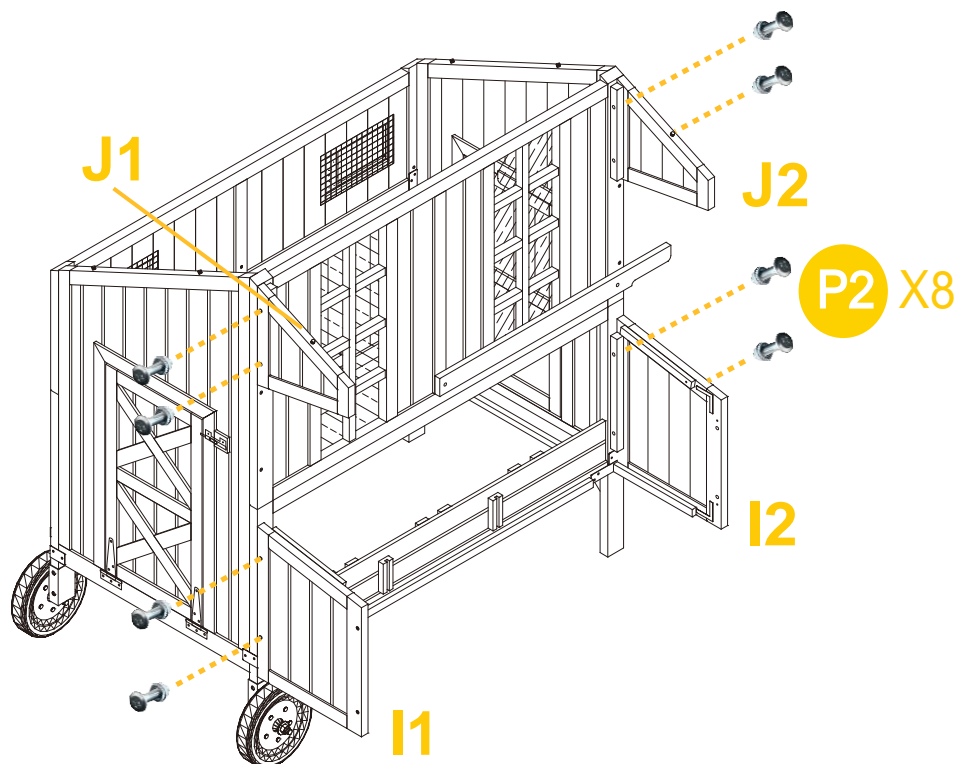


PRODUCT ASSEMBLY

06 Attached the push handle Part L to the coop by 2XP2 bolts each side.

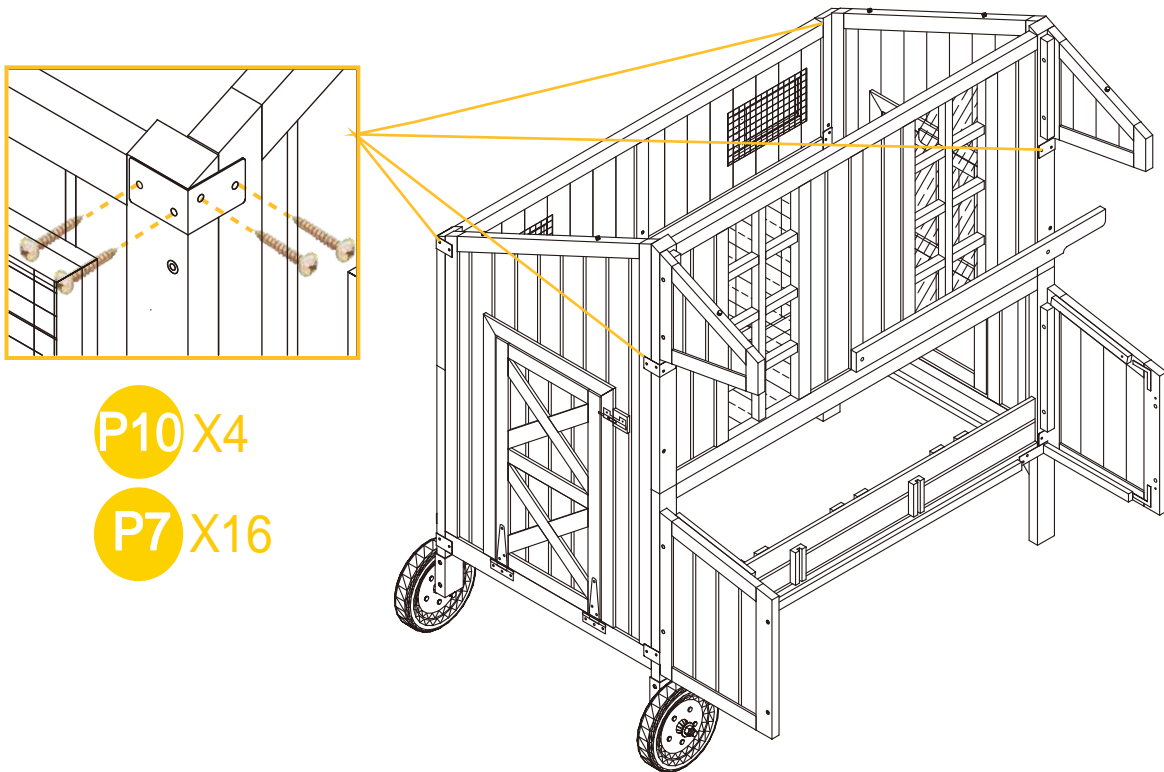


07 Attached the I1,I2,J1,J2 to the coop by 2XP2 bolts each side.



PRODUCT ASSEMBLY

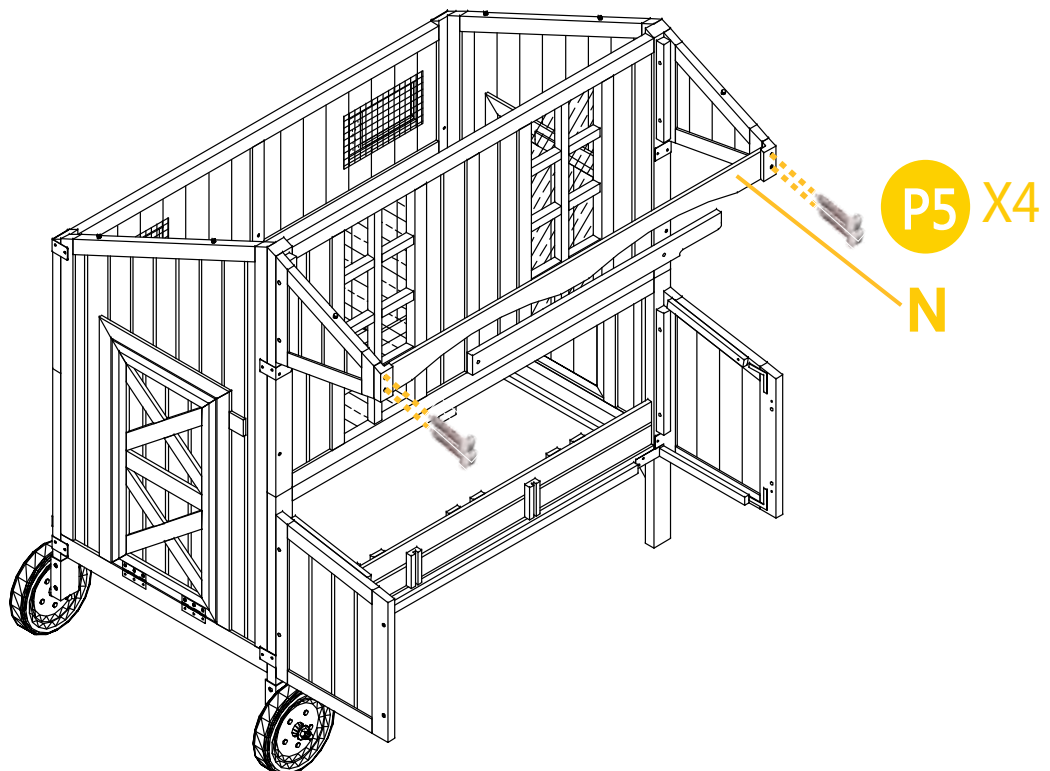
08 Attach the corner bracket 4xP10 to the corner by 4xP7 each side.



P10 X4

P7 X16

09 Attach the Front panel of roof Part N by 4xP5.

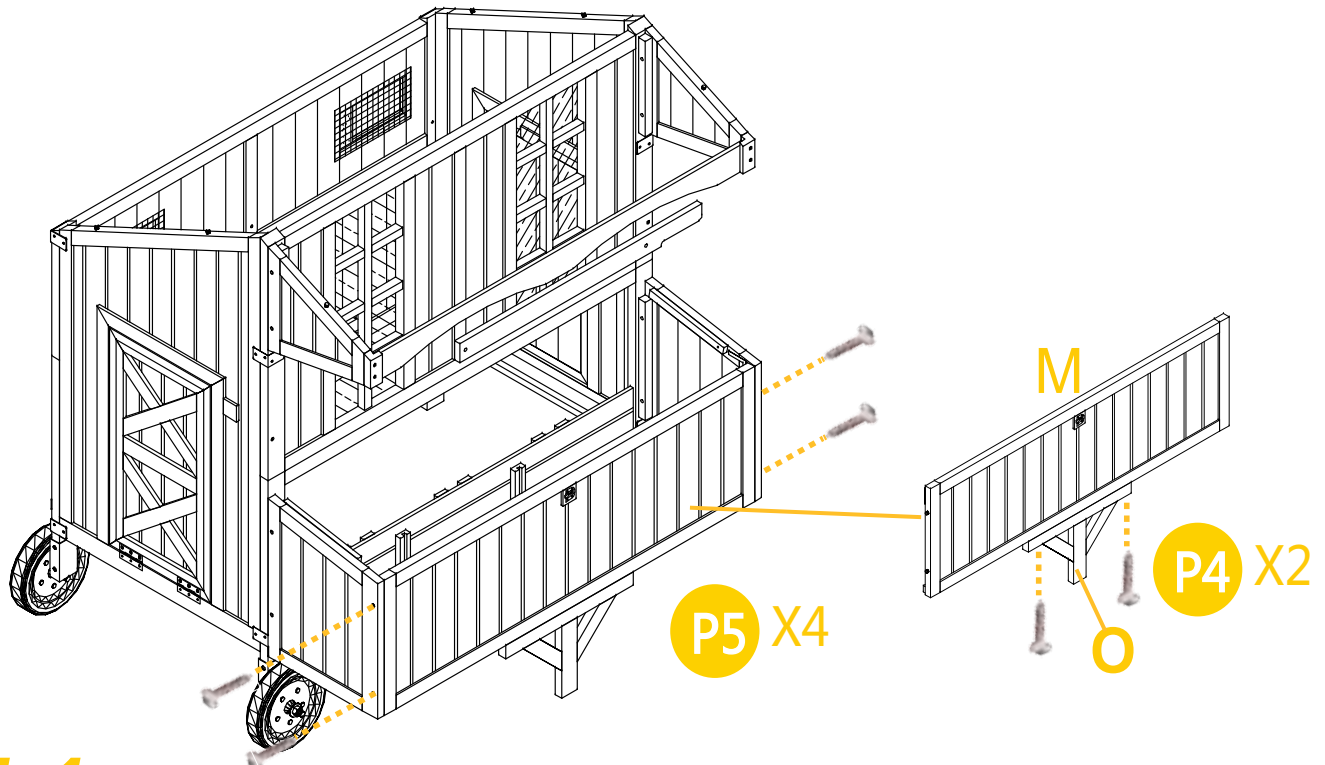


P5 X4

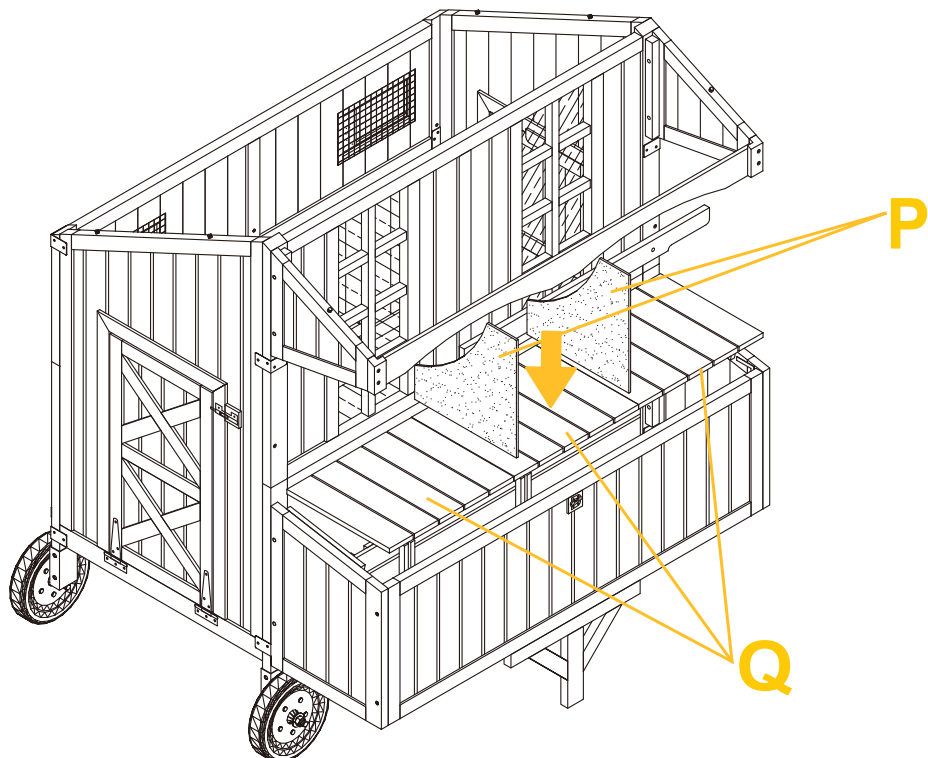
N

PRODUCT ASSEMBLY

- 10** Attach the Support frame Part O to Front panel of nesting box Part M by 2 X P4 screws.
Attach Part M to the coop by 4 X P5 screws.

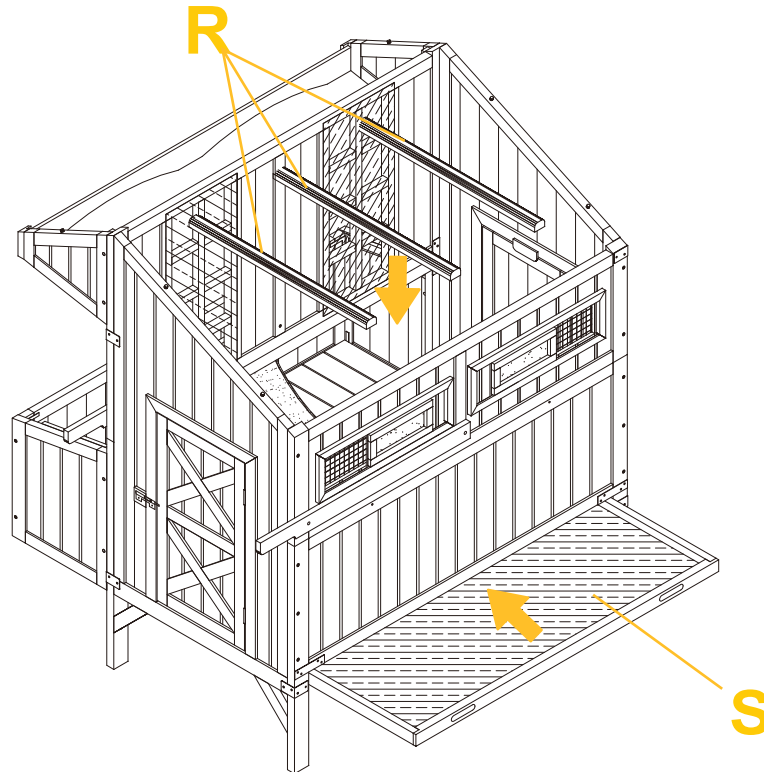


- 11** Attach the 3 x Nesting box floors Part Q first, then attach 2 x Divider of nesting box Part P to the nesting box.

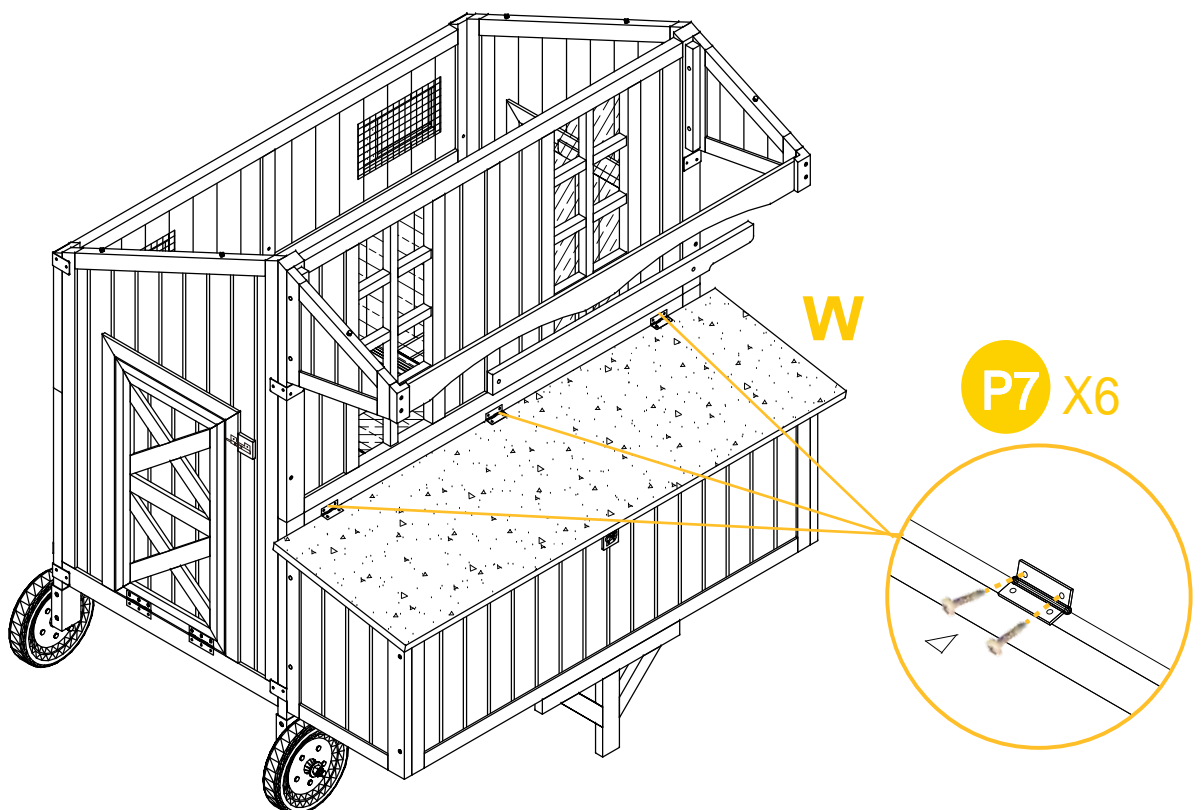


PRODUCT ASSEMBLY

- 12** Insert 3 x Perches Part R into the slots inside two side panels. Slide in tray Part S inside.

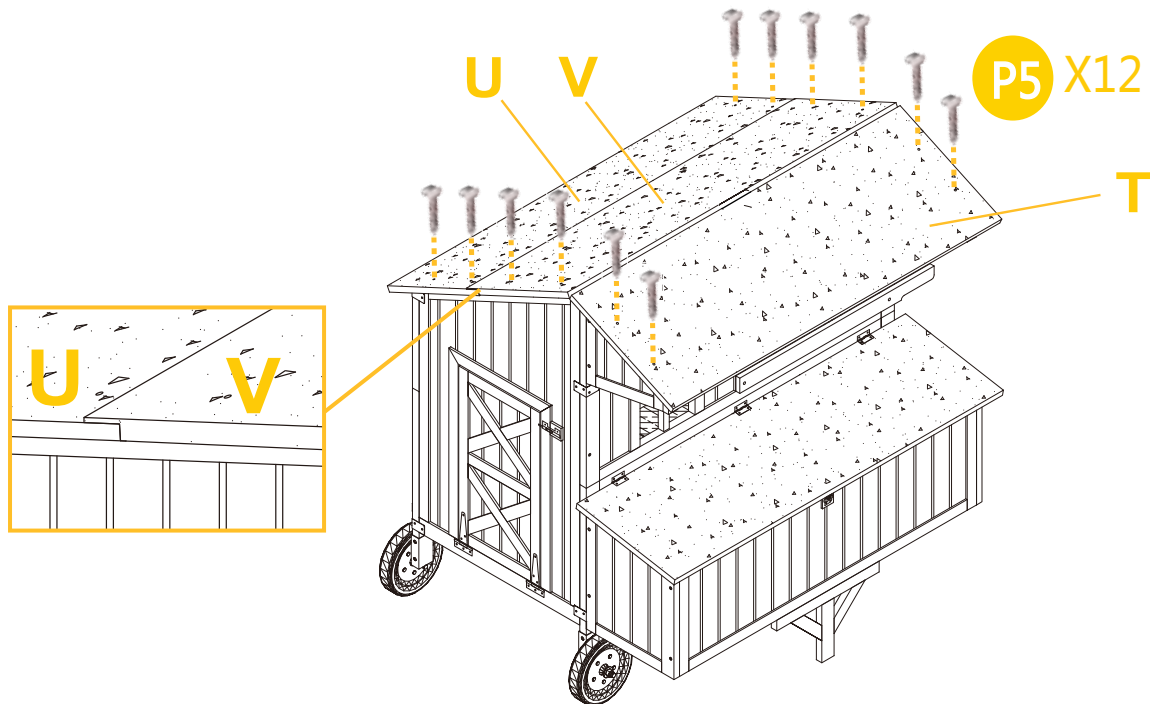


- 13** Attach the nesting box roof Part W by 6XP7 screws.

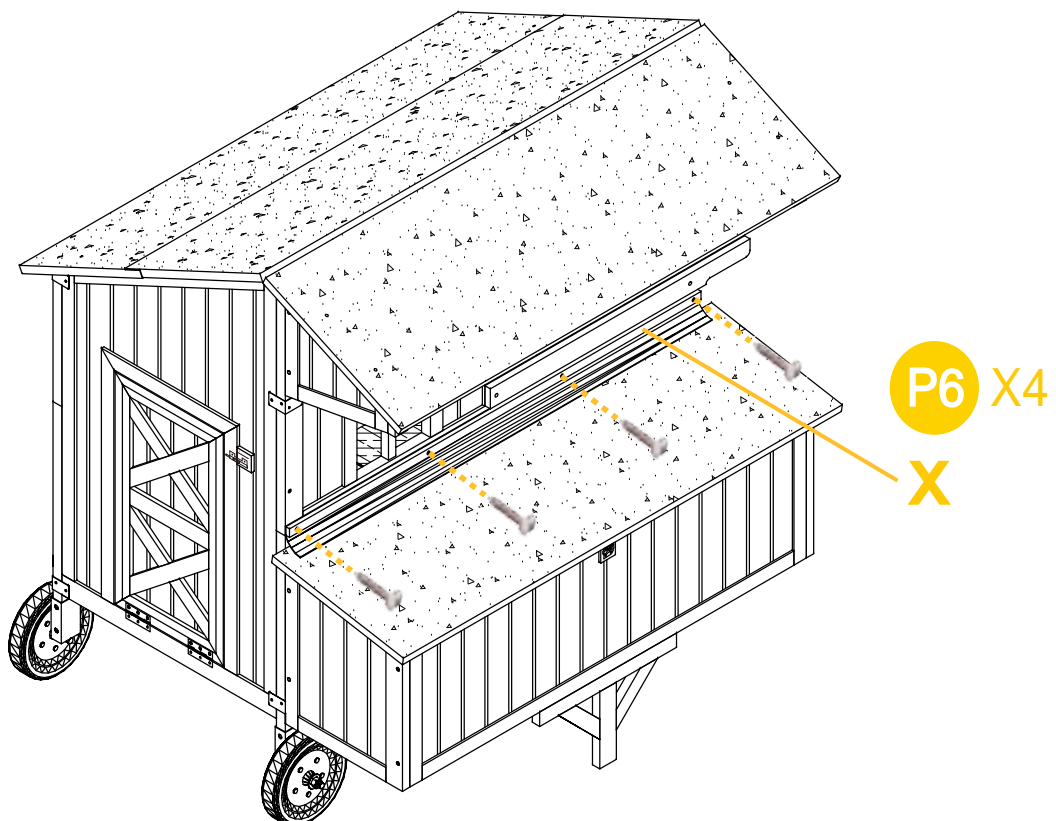


PRODUCT ASSEMBLY

14 Attach the Roof of coop U,V,T by 12XP5 screws.

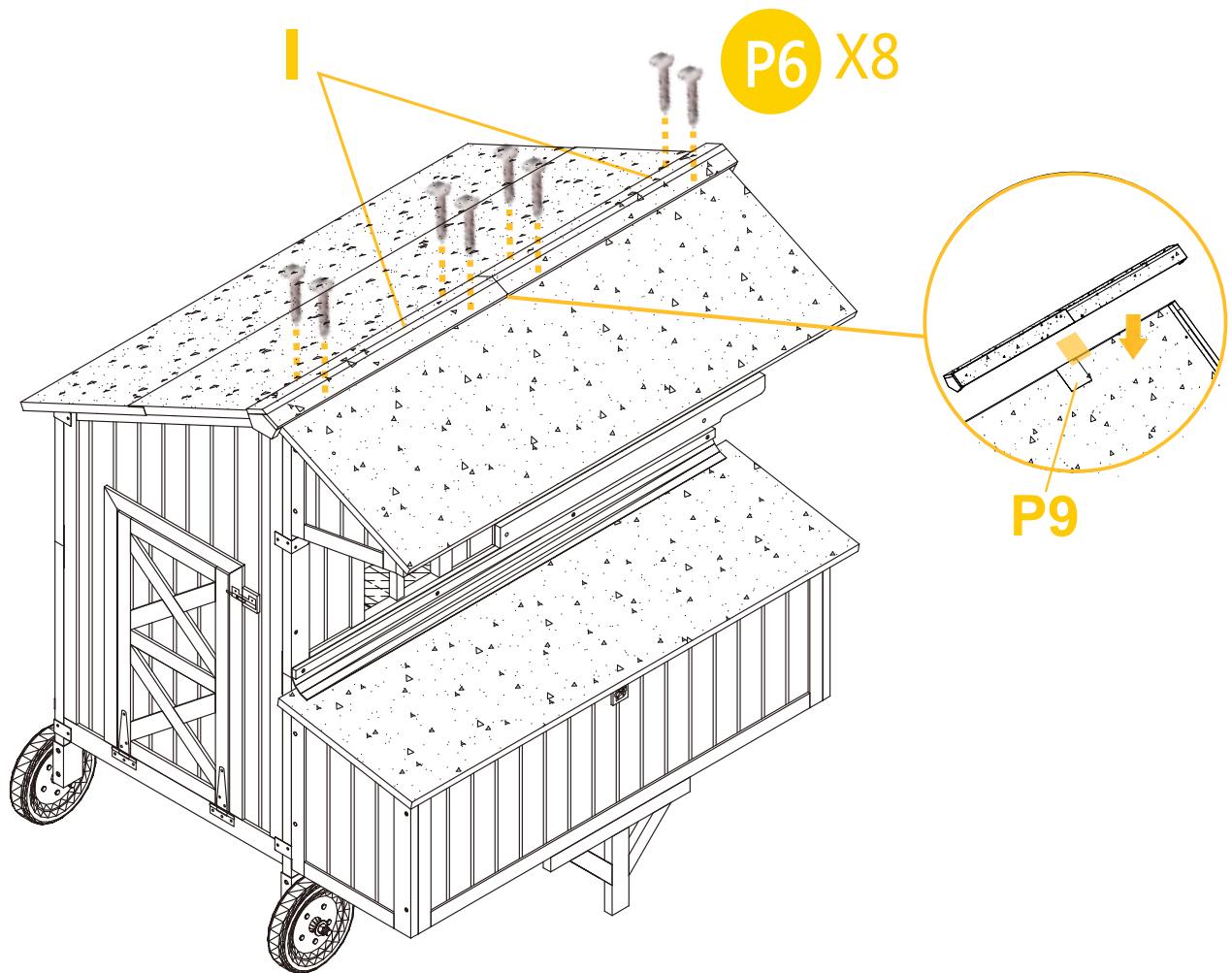


15 Attach the Waterproof strip Part X by 4XP6 screws.



PRODUCT ASSEMBLY

- 16** Put the Waterproof PVC P9 in the connection position of 2 roof cap to avoid the water leakage.
Attach Roof cap Part I to the coop by 8 X P6 screws.



Finish



WARNING

Manufacturer and seller expressly disclaim any and all liability for personal injury, property damage or loss, whether direct, indirect, or incidental, resulting from the incorrect attachment, improper use, inadequate maintenance, or neglect of this