

ULTRA PRESSURE BALANCE VALVE

Pressure Balance Valve and Rough Assembly UFP-PBV7

STANDARD SPECIFICATIONS

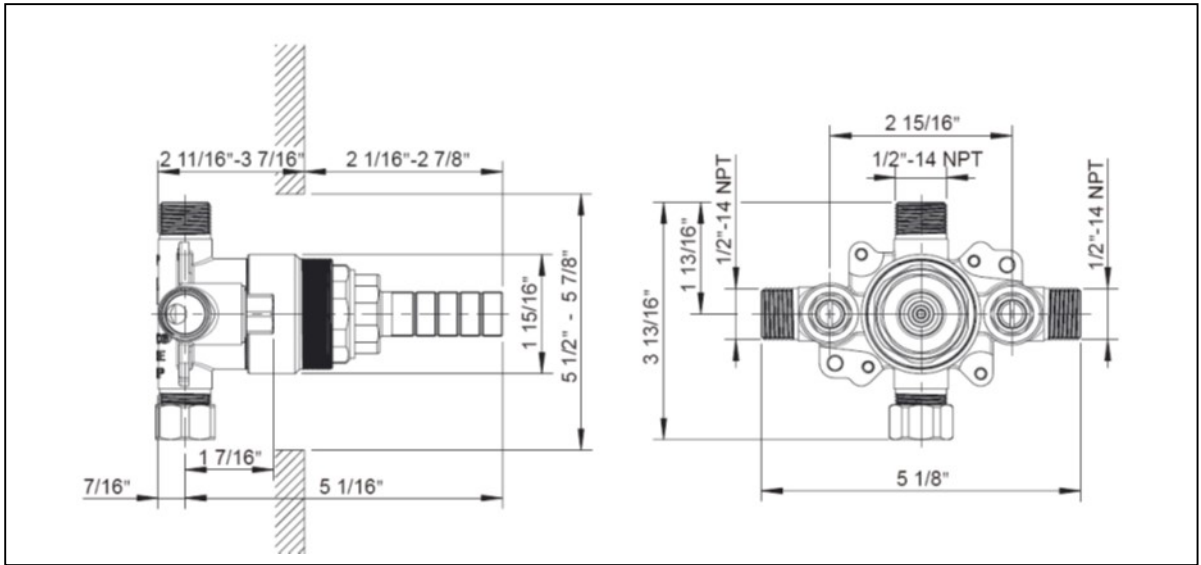
- Ceramic disc cartridge
- Forged brass valve body
- Built-in check valves
- Built-in stop valves
- 1/2" CC and IPS connections

WARRANTY

- Limited lifetime warranty on workmanship and materials to the original purchaser

COMPLIES WITH

- NSF 61-9
- ASME A112.18.1
- CSA B125.1
- cUPC



tel. 888-OK-ULTRA (658-5872) • fax. 949-252-9989 • <http://www.ultrafaucets.com>

This specification is provided for reference only. Ultra Faucets reserves the right to modify specifications and materials without notice or obligation.

- **Twist Collection**
- **Tub and Shower Trim**
- **Requires Pressure Balance Valve Model UFP-PBV2**

STANDARD SPECIFICATIONS

- Trim only, requires pressure balance valve
- 1.8gpm max @ 80psi flow rate shower head

FINISHES INCLUDE

- **Tub and shower trim:**
- Chrome (UF79300)
- PVD Brushed Nickel (UF79303)

WARRANTY

- Limited lifetime warranty on workmanship and materials to the original purchaser

