

ULTRA TUB AND SHOWER TRIM

- **Icon Collection**
- **Trim Only**

STANDARD SPECIFICATIONS

- Metal Lever Handle
- Single Function Shower Head
- ABS Faceplate
- 1.8 GPM Max @ 80psi

FINISHES INCLUDE

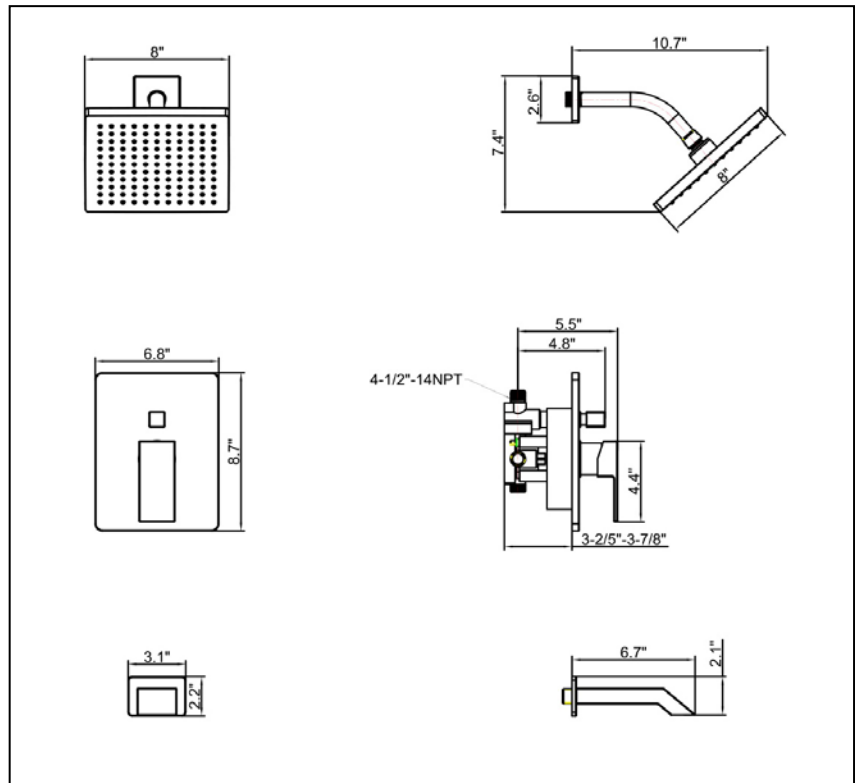
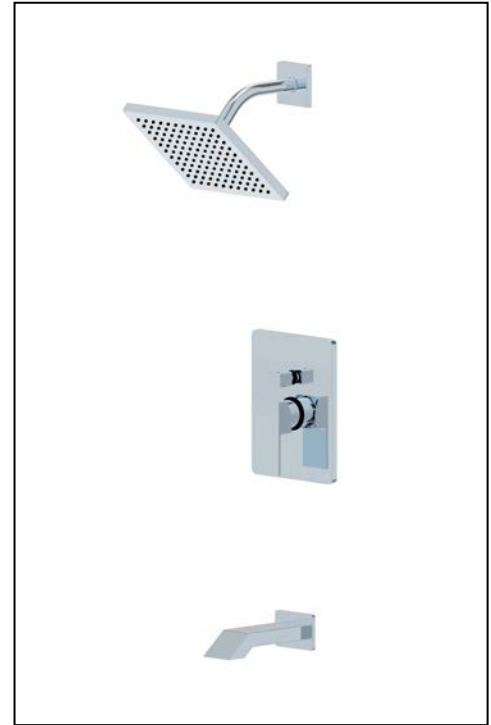
- Chrome (UF70300)
- Brushed Nickel (UF70303)

WARRANTY

- Limited lifetime warranty on workmanship and materials to the original purchaser

COMPLIES WITH

- NSF 61-9
- ASME A112.18.1
- CSA B125.1
- cUPC



tel. 888-OK-ULTRA (658-5872) • fax. 949-252-9989 • <http://www.ultrafaucets.com>

This specification is provided for reference only. Ultra Faucets reserves the right to modify specifications and materials without notice or obligation.