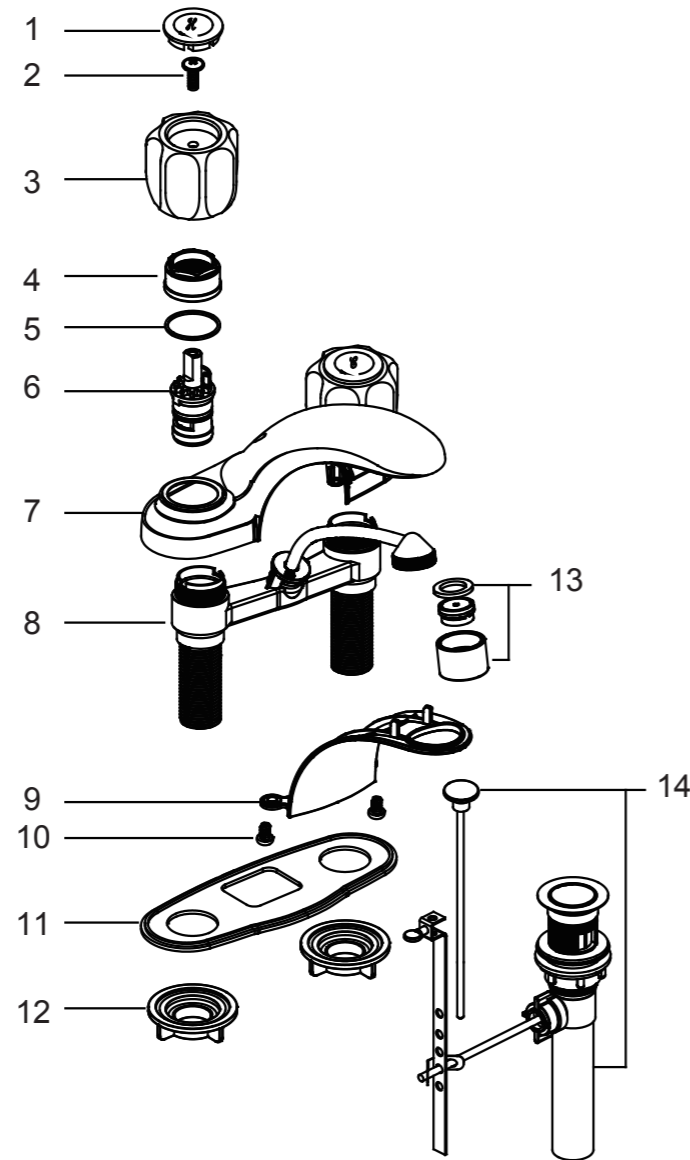


NO.	Description	Part No.
1	Index H & C	04015&04016
2	Screws-A	06815
3	Handles	04014
4	Bonnet	04009CP
5	Washer	07220
6	Cartridge	06840
7	Escutcheon	30319CP/BN/NB
8	Body assembly	30060
9	Down escutcheon	35035CP/BN/NB
10	Screws-B	30058
11	Base plate	35032
12	Mounting nut	06816
13	Aerator assembly	857108CP/BN/NB
14	Pop-up assembly	30001CP/BN/NB



Limited Lifetime Warranty

Ultra Faucets warrants to the original purchaser that its products will be free from defects in workmanship and materials. All Ultra Faucets are provided with a life time limited warranty. This warranty does not cover any other labor or service charges associated with the removal, repair, or reinstallation of Ultra Faucets products. This express warranty does not apply to products that have been damaged as a result of misuse, abuse, negligence, accident, faulty installation or maintenance practices and/or used in any manner contrary to those recommended by the manufacturer.

Need help? Please call our toll-free customer service line at 1-888-658-5872 for additional assistance or service.

Besoin d'aide? Veuillez communiquer avec notre service à la clientèle au numéro gratuit 1-888-658-5872 pour tous renseignements ou services complémentaires.

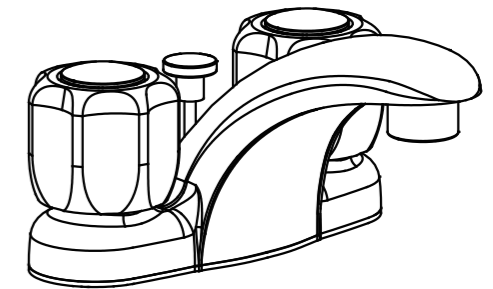
¿Requiere asistencia? Llame a nuestro Servicio al Cliente, sin costo, al 1-888-658-5872 para asistencia adicional o servicio.

Installation/Installation/Instalación

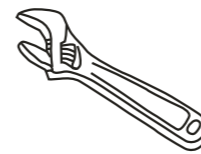
CUSTOMER SERVICE

TOLL-FREE 1-888-OK-ULTRA (658-5872)

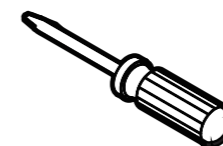
UF44130 - Chrome



Tools You Will Need / Outils dont vous aurez besoin / Herramientas necesarias



Adjustable Wrench
Clé à molette
Llave ajustable



Phillips Screwdriver
Tournevis Phillips
Destornillador cruciforme



Pipe Tape
Ruban pour tuyau
Cinta selladora para rosca



Groove join pliers
Pince multiprise
Pinzas ajustables

SAFETY TIPS

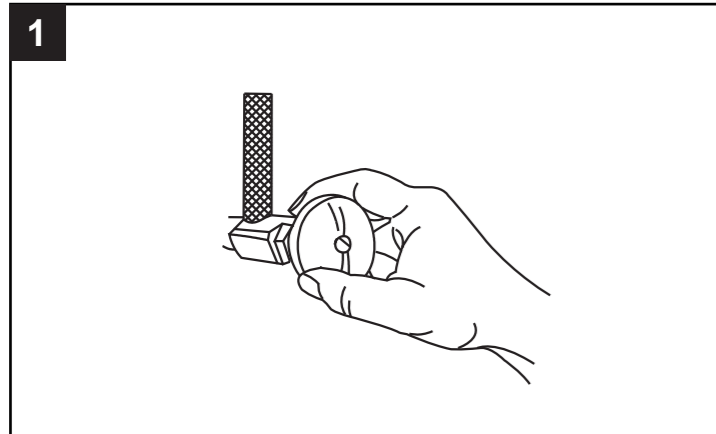
- If you use soldering for the installation of the faucet, the seats, cartridges and washers will have to be removed before using flame. Otherwise, warranty will be void on those parts.
- Cover your drain to avoid losing parts.
- 0°C~55°C.

CONSIGNES DE SÉCURITÉ

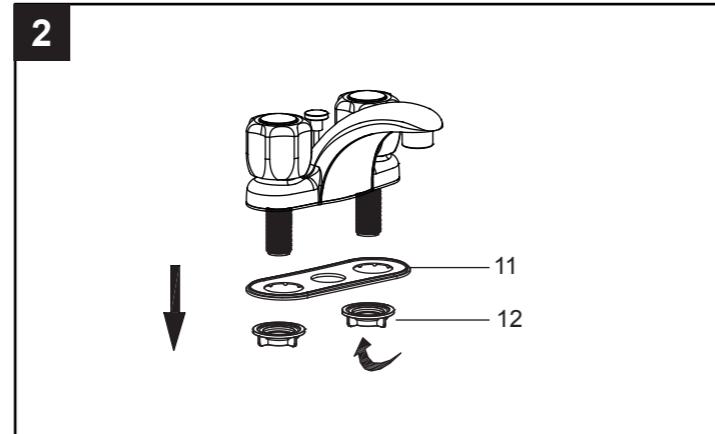
- Si vous posez le robinet par brasage, il est essentiel de retirer les sièges, les cartouches et les rondelles avant d'appliquer la flamme, faute de quoi la garantie sur ces pièces sera annulée.
- Couvrez le drain pour ne pas perdre des pièces.
- 0°C~55°C.

CONSEJOS DE SEGURIDAD

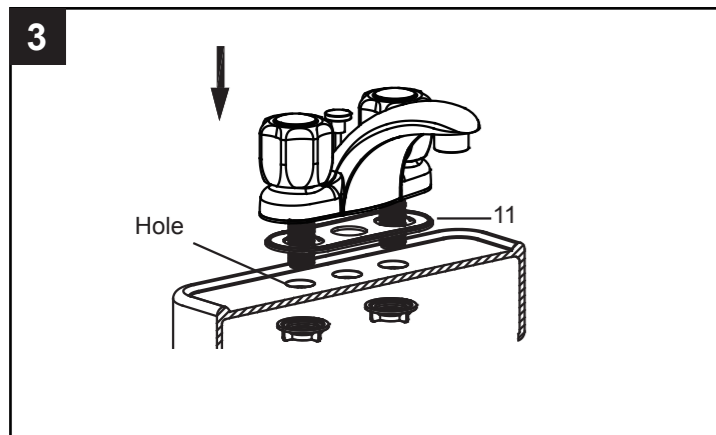
- En el caso de utilizar soldadura para instalar el grifo, remueva los asientos, cartuchos y arandelas antes de usar la llama. De lo contrario, se anulará la garantía para esos componentes.
- Tape la boca del desagüe para prevenir la pérdida de piezas pequeñas.
- 0°C~55°C.



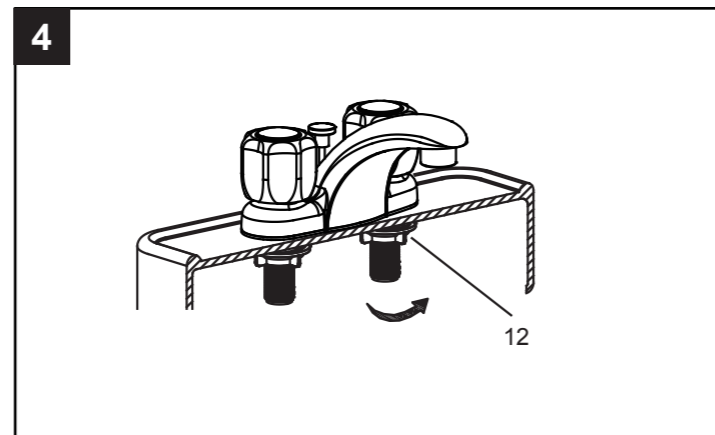
1 Shut off hot and cold water supply under sink, Plug sink drain with cloth to avoid losing small parts, remove old faucet.



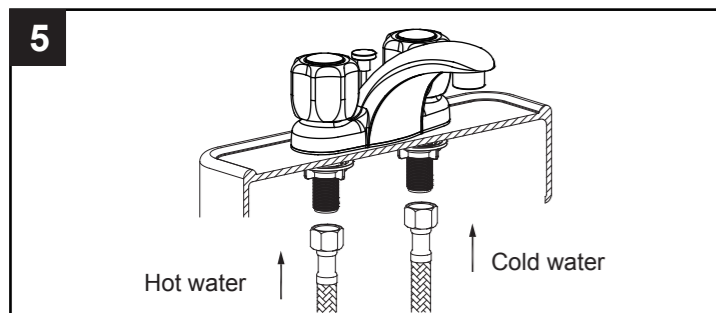
2 Remove mounting nuts(12) and base plate(11) from threaded mounting pipe.



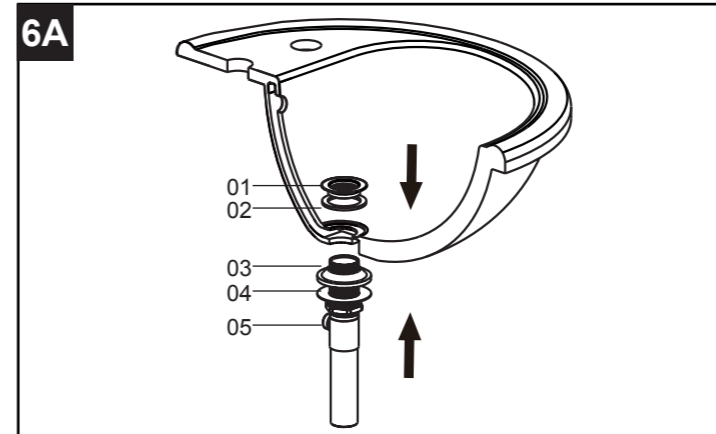
3 Apply a small amount of putty to the groove along the bottom outer edge of the base plate(11). Secure base plate to faucet. Install faucet through holes in sink or countertop.



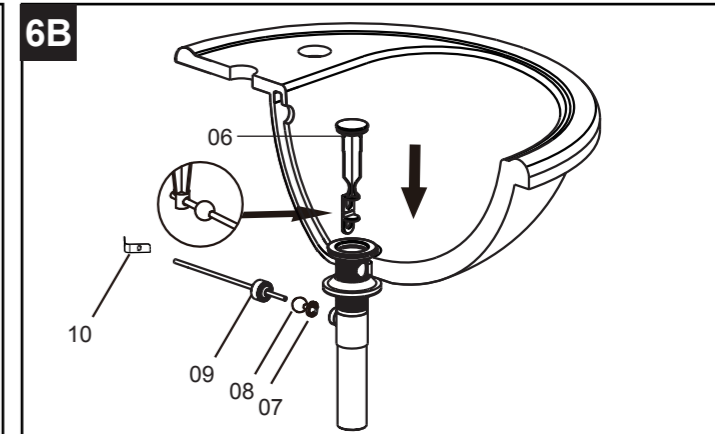
4 Tighten mounting nuts(12) onto threaded mounting pipe from underneath the countertop or sink (HAND-TIGHTEN ONLY).



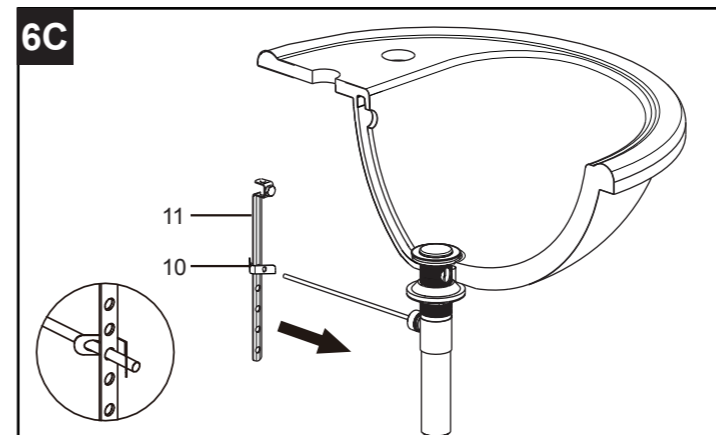
5 Thread hot & cold waterlines (not included with faucet) to threaded mounting pipe.
(A. Hot Side: Left, B. Cold Side: Right).
Secure other end of waterlines to the angle stops. Tighten both ends with adjustable wrench until snug. Turn angle stops on and check for leaks(DO NOT TURN ON FAUCET).
Please Note: Recommended waterlines: 3/8 in. OD x 1/2 in. IPS



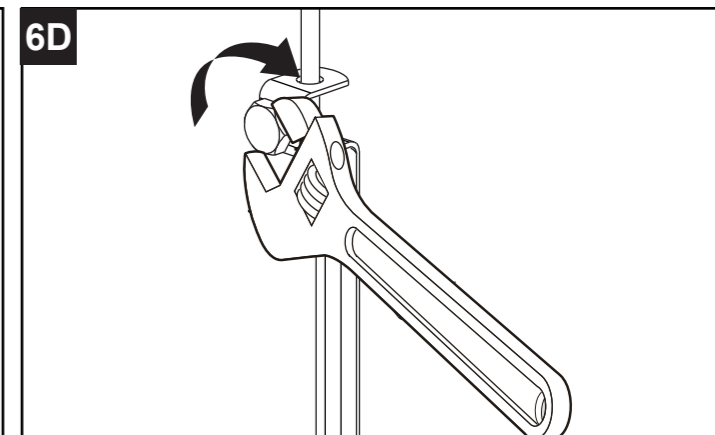
6A a. Remove flange(01), rubber washer(02), from the pop-up assembly.
b. Put the pipe body(05) into the sink hole, install the rubber washer(03), tighten the mounting nut(04) use wrench.



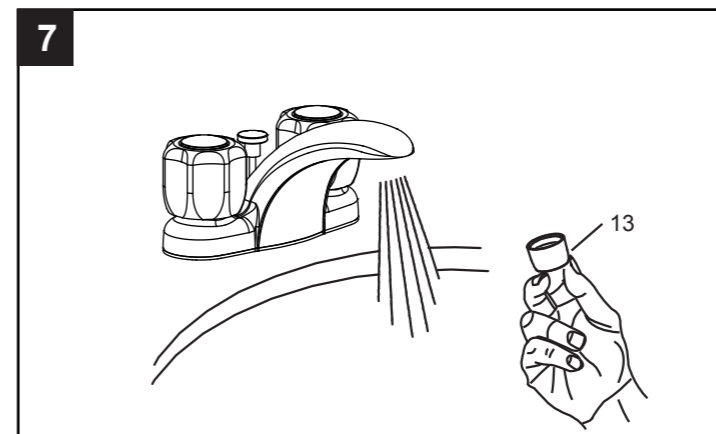
6B Unscrew the nut(09) from the pipe body, retain the white washer(07), then take off the spring clip(10) from the ball rod(08). insert the stopper(06), insert the ball rod into the side hole of drain, slide the nut on and tighten securely.



6C Install the spring clip(10) on the ball rod, simultaneously, insert the linker(11).



6D Tighten the Screw pull Lift Rod and The Splint.



7 Remove aerator(13) from the spout and let the water run for about 1 minute to clear any debris in the plumbing system. Attach the aerator.