

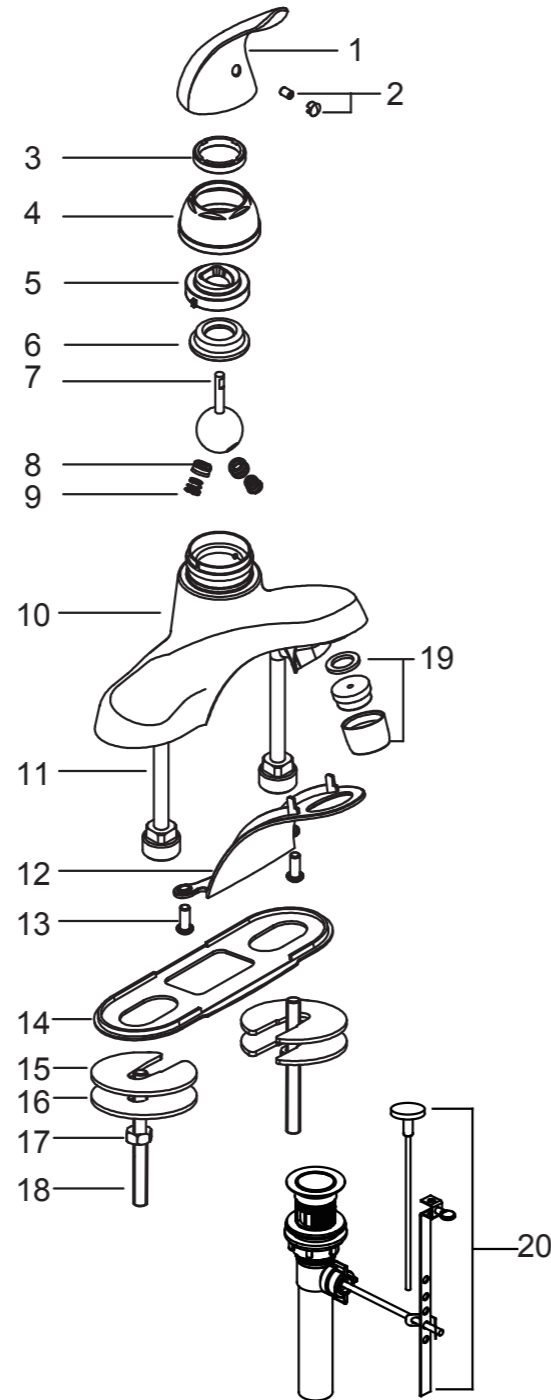
UF34020
UF34023
UF34025

CLASSIC Series

Single Handle Lavatory Faucet
With Pop-up Drain



NO.	Description	Part No.
1	Handle	33001CP/BN/NB
2	Button & Screw	50803 & 50802
3	Bonnet	33002
4	Cap	33003CP/BN/NB
5	Cam	33004
6	Rubber washer-A	33005
7	S.S Ball valve	33006
8	Rubber seat	04012
9	Spring	04011
10	Escutcheon	35021
11	Body assembly	35042+35048
12	Down escutcheon	35034CP/BN/NB
13	Screws	35025
14	Base plate	35026
15	Rubber washer-B	85211
16	Metal washers	35022
17	Mounting nuts	35011
18	Bolt	35020
19	Aerator assembly	85708CP/BN/NB
20	Pop-up drain	30004CP/BN/NB

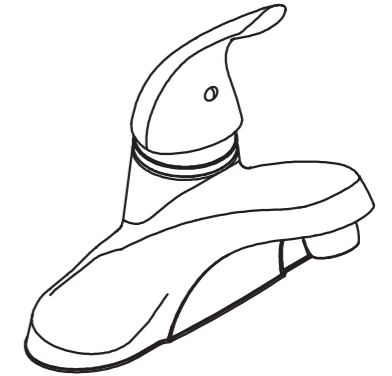


Installation/Installation/Instalación

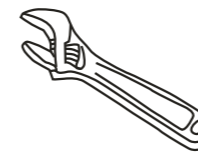
CUSTOMER SERVICE

TOLL-FREE 1-888-OK-ULTRA (658-5872)

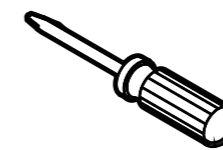
UF34020 - Chrome
UF34023 - Brushed Nickel
UF34025 - Oil Rubbed Bronze



Tools You Will Need / Outils dont vous aurez besoin / Herramientas necesarias



Adjustable Wrench
Clé à molette
Llave ajustable



Phillips Screwdriver
Tournevis Phillips
Destornillador cruciforme



Pipe Tape
Ruban pour tuyau
Cinta selladora para rosca



Groove joint pliers
Pince multiprise
Pinzas ajustables

Limited Lifetime Warranty

Ultra Faucets warrants to the original purchaser that its products will be free from defects in workmanship and materials. All Ultra Faucets are provided with a life time limited warranty. This warranty does not cover any other labor or service charges associated with the removal, repair, or reinstallation of Ultra Faucets products. This express warranty does not apply to products that have been damaged as a result of misuse, abuse, negligence, accident, faulty installation or maintenance practices and/or used in any manner contrary to those recommended by the manufacturer.

Need help? Please call our toll-free customer service line at 1-888-658-5872 for additional assistance or service.

Besoin d'aide? Veuillez communiquer avec notre service à la clientèle au numéro gratuit 1-888-658-5872 pour tous renseignements ou services complémentaires.

¿Requiere asistencia? Llame a nuestro Servicio al Cliente, sin costo, al 1-888-658-5872 para asistencia adicional o servicio.

SAFETY TIPS

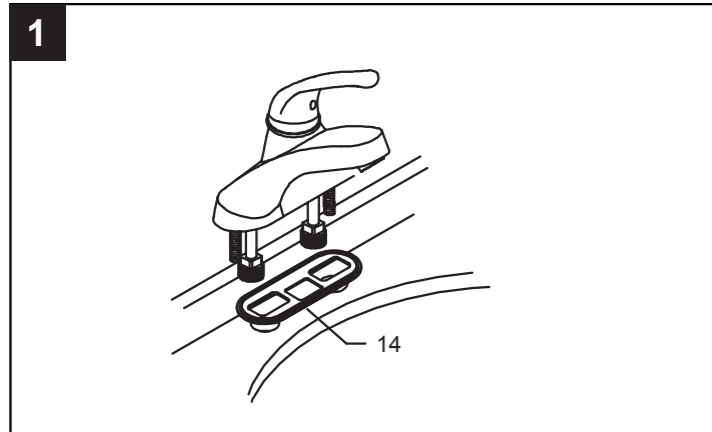
- If you use soldering for the installation of the faucet, the seats, cartridges and washers will have to be removed before using flame. Otherwise, warranty will be void on those parts.
- Cover your drain to avoid losing parts.
- 0°C~55°C.

CONSIGNES DE SÉCURITÉ

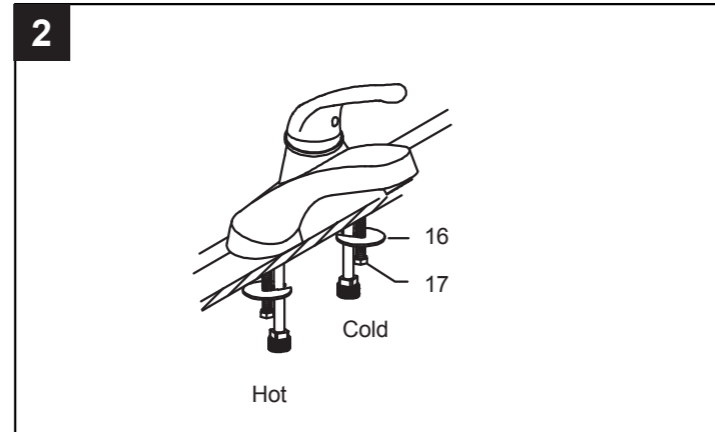
- Si vous posez le robinet par brasage, il est essentiel de retirer les sièges, les cartouches et les rondelles avant d'appliquer la flamme, faute de quoi la garantie sur ces pièces sera annulée.
- Couvrez le drain pour ne pas perdre des pièces.
- 0°C~55°C.

CONSEJOS DE SEGURIDAD

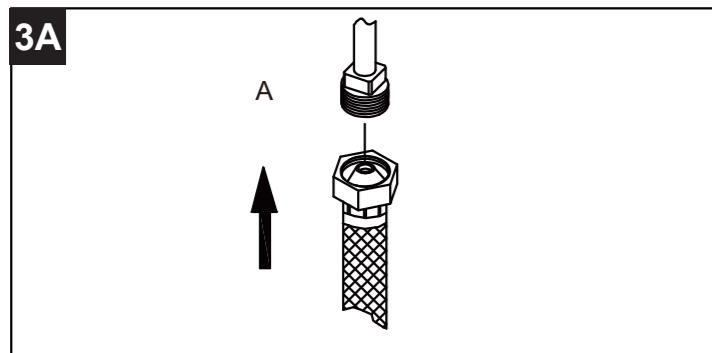
- En el caso de utilizar soldadura para instalar el grifo, remueva los asientos, cartuchos y arandelas antes de usar la llama. De lo contrario, se anulará la garantía para esos componentes.
- Tape la boca del desagüe para prevenir la pérdida de piezas pequeñas.
- 0°C~55°C.



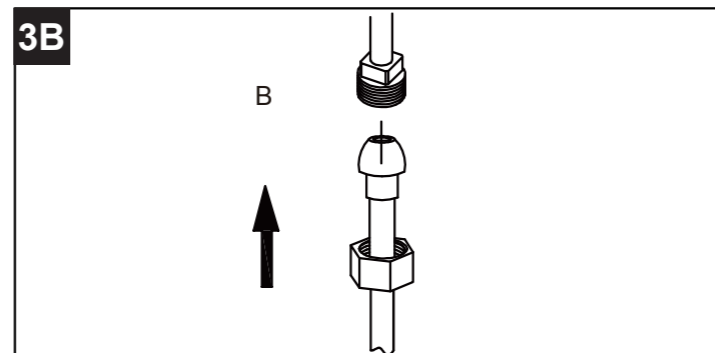
1
Shut off hot and cold water supply to faucet or turn off main water supply.
Remove old faucet. Clean sink surface.
Place base plate(14) on the sink.



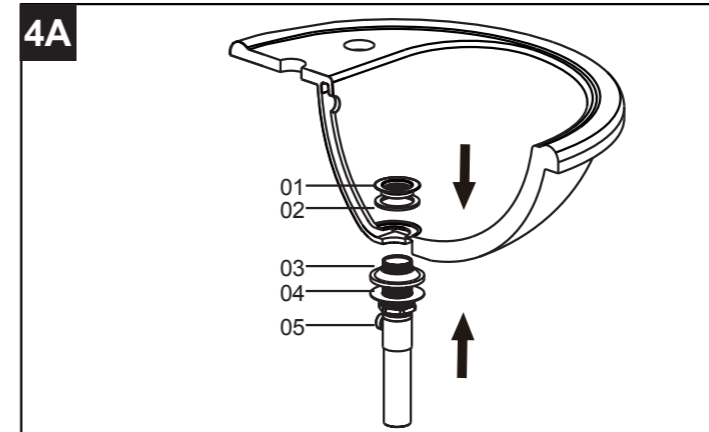
2
Insert supply tubes through holes of sink. Attach slotted washers(16) and hand tighten mounting nuts(17). Use a wrench to tighten the mounting nuts(17). Do not overtighten.



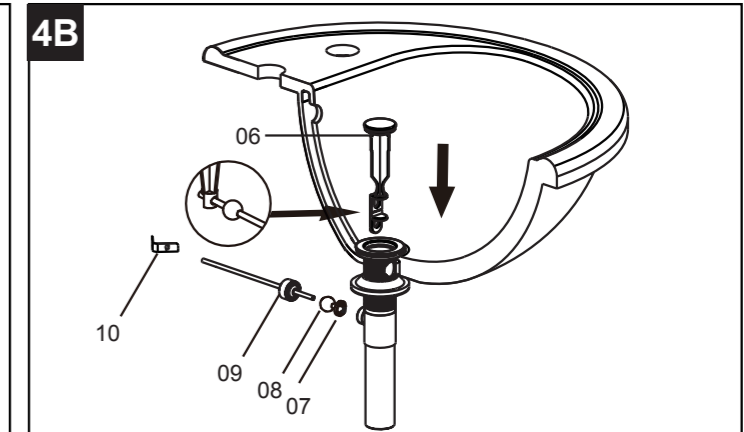
3A
Stainless steel Braided Faucet supply Tubes: This is the simplest of all installations. If you are using stainless steel braided faucet supply tubes, this faucet requires one end of the supply tube to have a 1/2" female IPS connection. The other end of this supply tube must match the thread on the water supply fittings or shut off valve under your sink. Once you have identified the required tube, carefully follow the manufacturer's installation instructions for each tube.



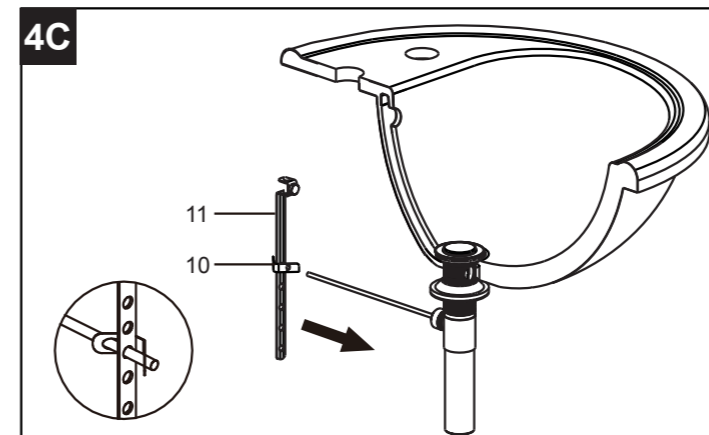
3B
Ball Nose Flexible Supplies: If you are using ball-nose flexible supplies to connect the faucet to water supply lines; Slip coupling nut behind ball-nose of flexible supply tube. Ball nose coupling will go partially into IPS shank or fitting. Tighten coupling nut (DO NOT OVER TIGHTEN). Install opposite end according to manufacturer's instructions for both tubes.



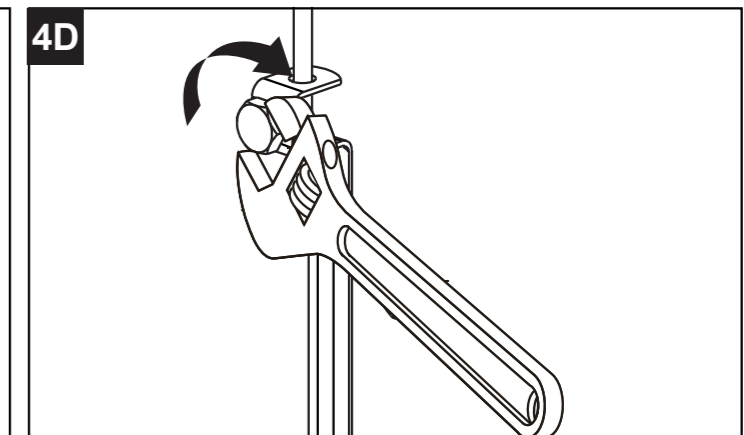
4A
a. Remove flange(01), rubber washer(02), from the pop-up assembly.
b. Put the pipe body(05) into the sink hole, install the rubber washer(03), tighten the mounting nut(04) use wrench.



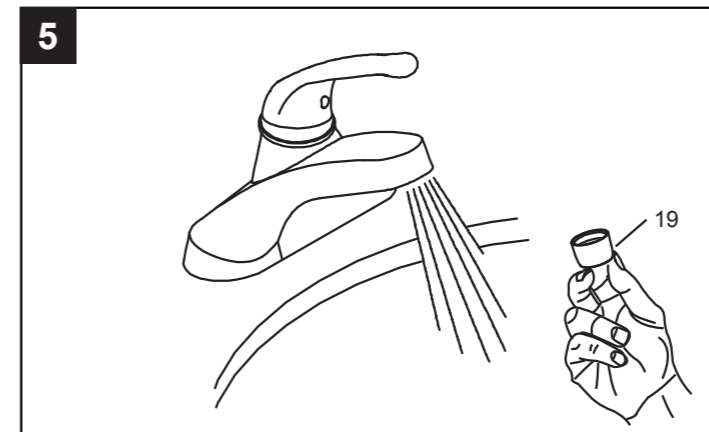
4B
Unscrew the nut(09) from the pipe body, retain the white washer(07), then take off the spring clip(10) from the ball rod(08). Insert the stopper(06), insert the ball rod into the side hole of drain, slide the nut on and tighten securely.



4C
Install the spring clip(10) on the ball rod, simultaneously, insert the linker(11).



4D
Tighten the Screw pull Lift Rod and The Splint.



5
Remove aerator(19) from the spout and let the water run for about 1 minute to clear any debris in the plumbing system. Attach the aerator.