



INSTRUCTION

Model NO.:

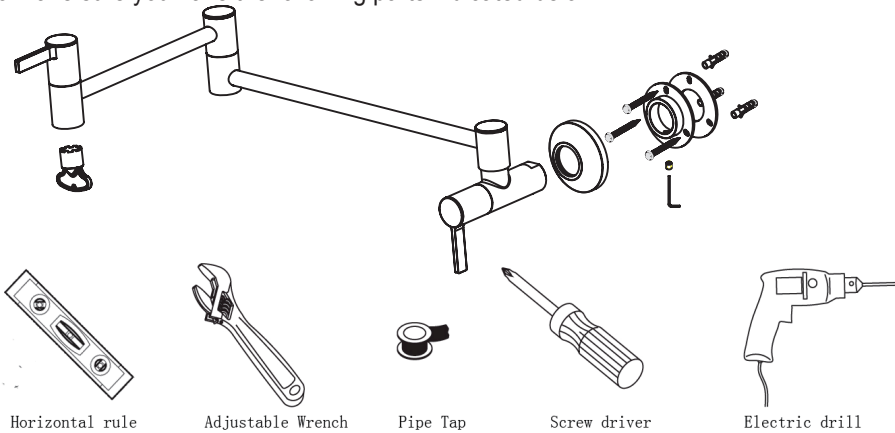
UF91600
UF91603
UF91605

Description

Expandable kitchen pot filler with 2 ceramic shut off cartridges
Designed for cold water installation only
Single hole wall mount
Flow Rate: 1.75gpm @ 60psi
Lead Free Brass

Before Installation

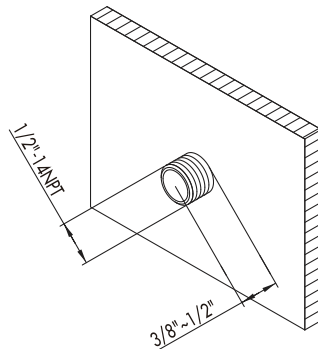
Check to make sure you have the following parts indicated below:



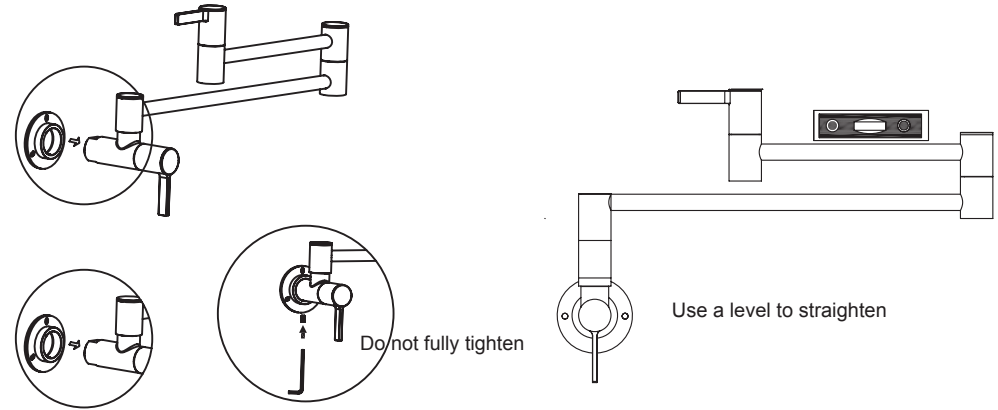
Installation Procedures

Shut off the main water supply before installation by turning the valves clockwise.

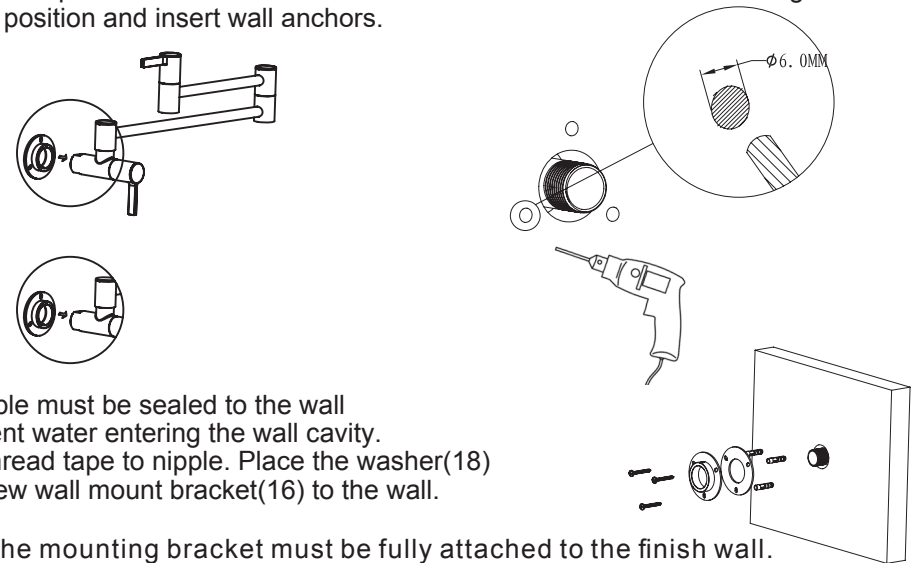
The tap requires an existing 1/2" IPS/NPT threaded male nipple extending from the finished wall surface. For ease of future maintenance, it is advisable to install a shut off valve for the water supply line at an easily accessible location.



Place Mounting bracket (16) onto pot filler(1) Mount pot filler onto nipple on the finished wall surface, do not full tighten the body to the wall and mark three mounting holes. Ensure that mounting holes will be clear of all concealed pipe work.



Remove the pot filler from the finished wall and drill suitable holes according to the marked position and insert wall anchors.



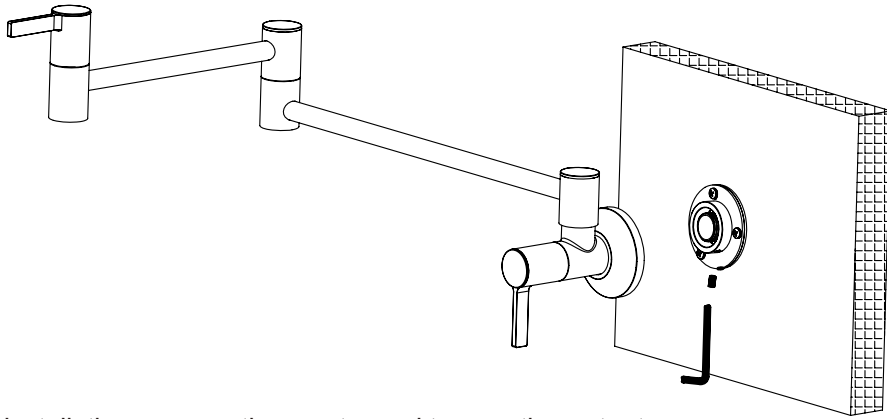
The nipple must be sealed to the wall to prevent water entering the wall cavity. Apply thread tape to nipple. Place the washer(18) and screw wall mount bracket(16) to the wall.

Note: The mounting bracket must be fully attached to the finish wall.

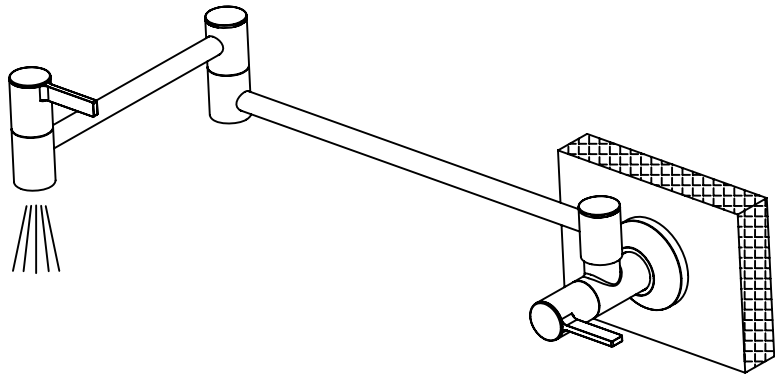
Position the wall flange(21) on to the shank of the wall valve body(1) Loosen the set screw(17) and press the valve body(1) into the bracket, Tighten the valve body(1) by turning it onto the nipple.

DO NOT USE A WRENCH TO TIGHTEN THE BODY AS IT WILL DAMAGE THE SURFACE OF THE TAP.

Secure the valve body with the set screw at the bottom of the wall bracket, then slide the flange to the wall.



After installation, remove the aerator and turn on the water to remove any debris in the piping. Re-assemble aerator. This tap is equipped with two shut off valves, the wall valve should be closed (handle in vertical position) when faucet is not in use. If the pot filler is to be left unattended, please ensure both valves are left in closed position.



Trouble Shooting

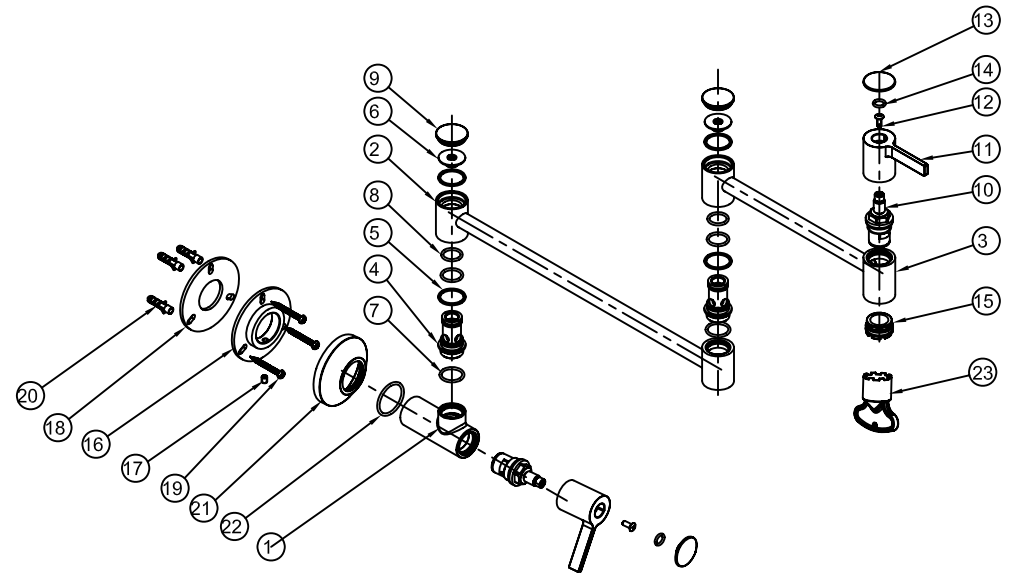
If you've followed the instructions carefully and your tap still doesn't work properly, take these corrective steps.

Problem: Aerator has water leakage or has an inconsistent water flow pattern.

Cause: Aerator is dirty or not properly assembled into the spout.

Action: Unscrew the aerator to check rubber or replace the aerator.

Illustrated Parts List



Specifications

