

Ultra Faucets

Single-Handle Kitchen Faucet With Side-Spray



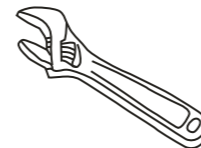
Installation/Installation/Instalación

CUSTOMER SERVICE
TOLL-FREE 1-888-OK-ULTRA (658-5872)

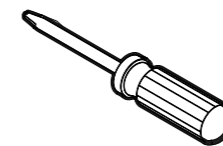
UF10240 - Chrome
UF10243 - Brushed Nickel
UF10245 - Oil Rubbed Bronze



Tools You Will Need / Outils dont vous aurez besoin / Herramientas necesarias



Adjustable Wrench
Clé à molette
Llave ajustable



Phillips Screwdriver
Tournevis Phillips
Destornillador cruciforme



Pipe Tape
Ruban pour tuyau
Cinta selladora para rosca



Groove join pliers
Pince multiprise
Pinzas ajustables

SAFETY TIPS

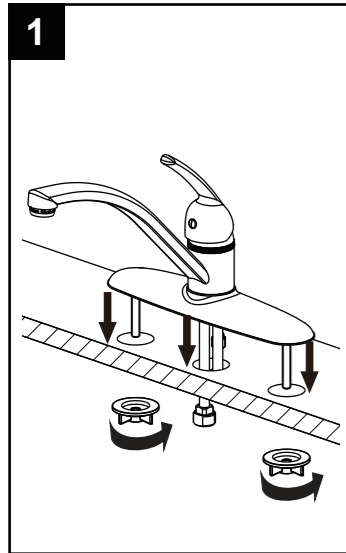
- If you use soldering for the installation of the faucet, the seats, cartridges and washers will have to be removed before using flame. Otherwise, warranty will be void on those parts.
- Cover your drain to avoid losing parts.
- 0°C~55°C.

CONSIGNES DE SÉCURITÉ

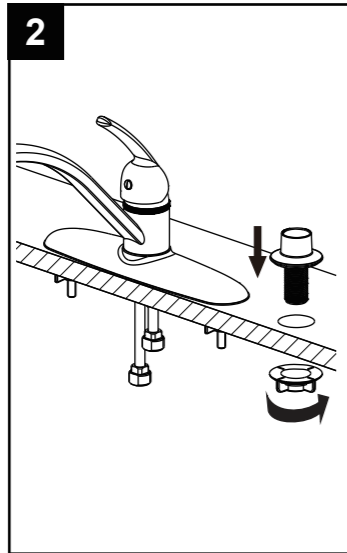
- Si vous posez le robinet par brasage, il est essentiel de retirer les sièges, les cartouches et les rondelles avant d'appliquer la flamme, faute de quoi la garantie sur ces pièces sera annulée.
- Couvrez le drain pour ne pas perdre des pièces.
- 0°C~55°C.

CONSEJOS DE SEGURIDAD

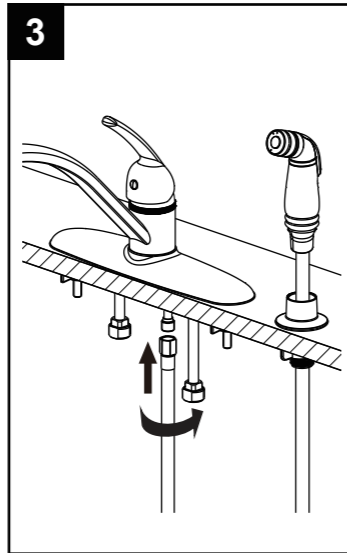
- En el caso de utilizar soldadura para instalar el grifo, remueva los asientos, cartuchos y arandelas antes de usar la llama. De lo contrario, se anulará la garantía para esos componentes.
- Tape la boca del desagüe para prevenir la pérdida de piezas pequeñas.
- 0°C~55°C.



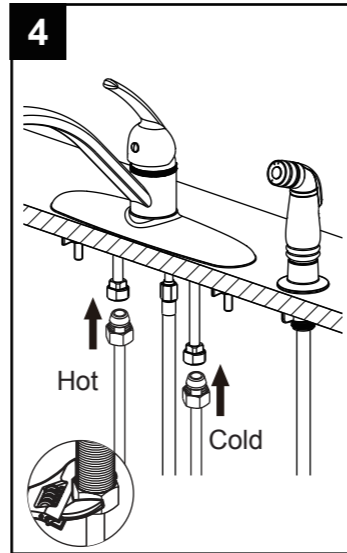
Put the faucet into the mounting holes and lock it with screw nut.



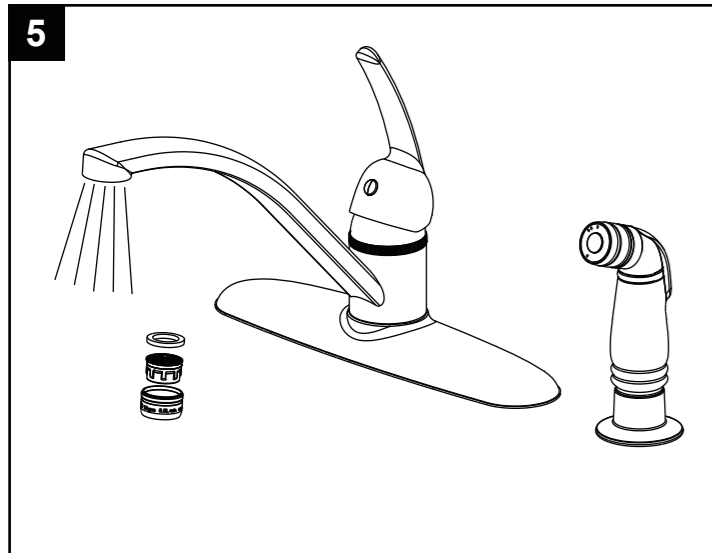
Put the spray base into the mounting hole and lock it with screw nut.



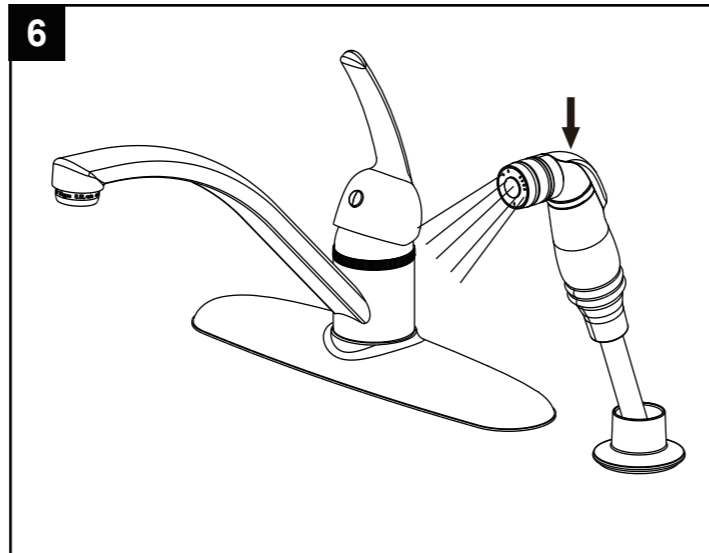
Insert sidespray hose into the spray base, and connect the other end of the hose with the faucet.



Install water inlet hoses and tighten with a wrench.

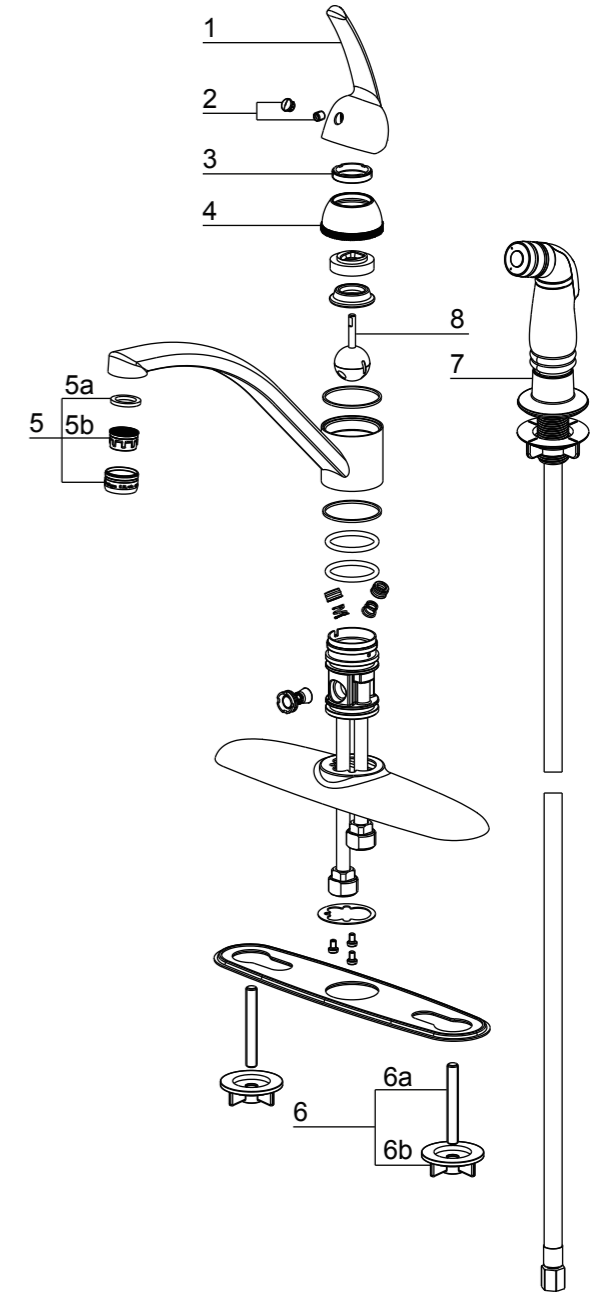


Remove aerator assembly and flush out debris. Reinstall aerator assembly.



Clean the spray.

NO.	Description	Part No.
1	Handle Assembly	52008012CP/AP/HA
2	Scerw & Button	5Y0161200PL0
3	Bonnet	52007904NT
4	Cap	52007905CP/AP/HA
5	Aerator Assembly	5Y0161100CP0
5a	Washer	52006919PL
5b	Aerator	5E0P0023PL
6	Mouting Hardware	5Y0161400PL0
6a	Bolt	53001005ZZ
6b	Nut	52008013PL
7	Spray Assembly	5F0M0093CP/AP/HA7
8	Cartridge	52007908NT



Need help? Please call our toll-free customer service line at 1-888-658-5872 for additional assistance or service.
Besoin d'aide? Veuillez communiquer avec notre service à la clientèle au numéro gratuit 1-888-658-5872 pour tous renseignements ou services complémentaires.
¿Requiere asistencia? Llame a nuestro Servicio al Cliente, sin costo, al 1-888-658-5872 para asistencia adicional o servicio.