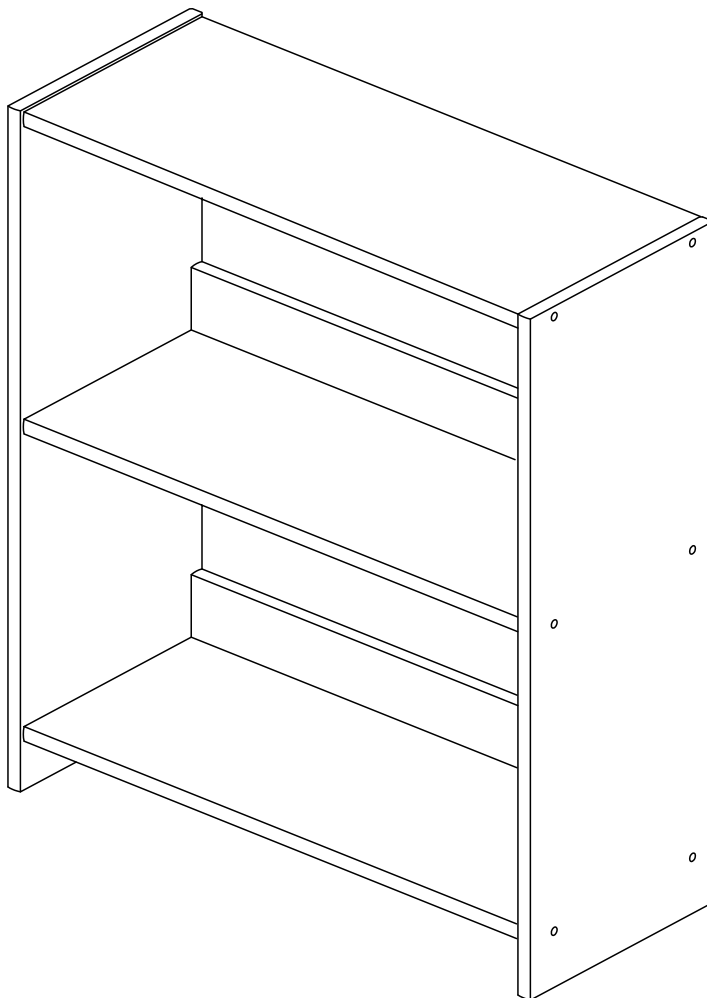


Fort Worth, Texas 76140

ASSEMBLY INSTRUCTIONS

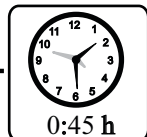
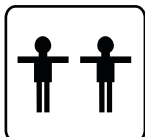
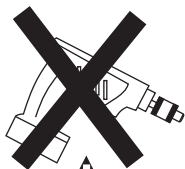
790 BOOKCASE SMALL THE FRONT



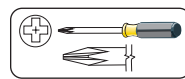
Thank you for purchasing this quality product. Be sure to check all packing material carefully for small parts which may have come loose inside the carton during shipment. Separate, identify and count all parts and hardware.

Compare with the parts list to be sure all parts are present.

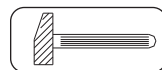
"DO NOT TIGHTEN SCREWS UNTIL COMPLETELY ASSEMBLED"



Tools Required



(Not included)



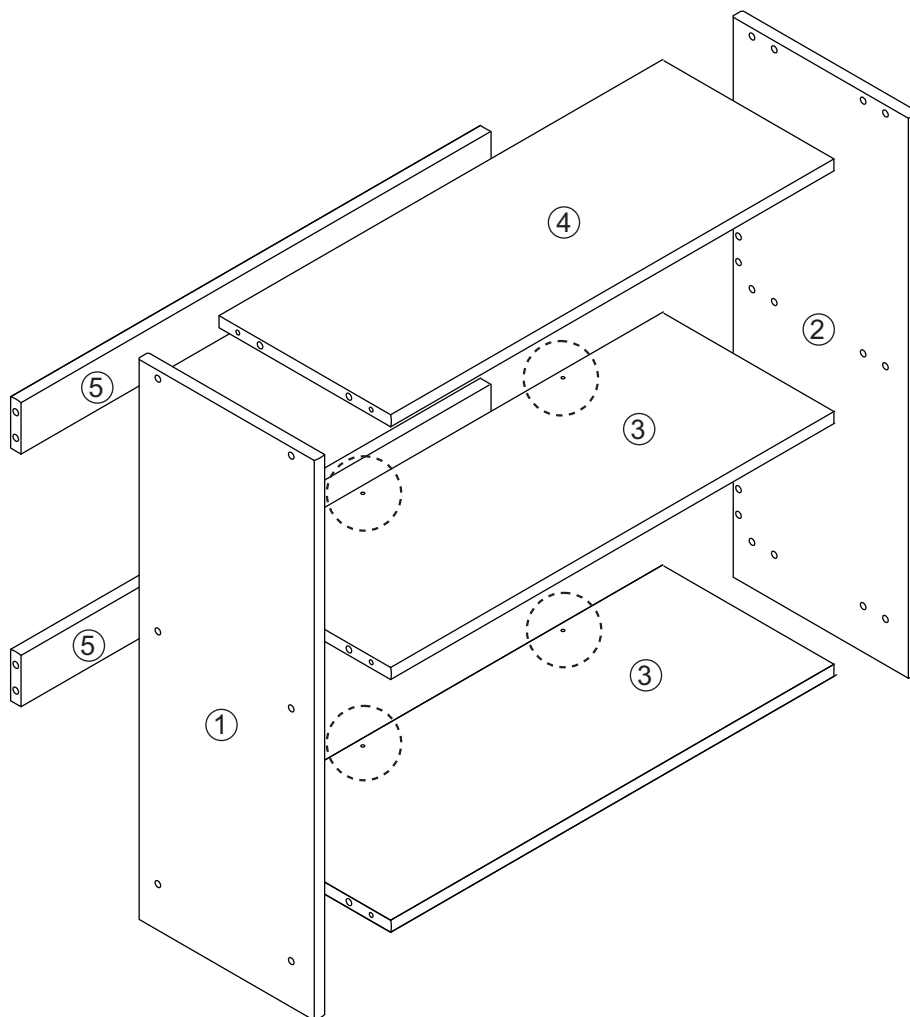
(Not included)

* Use of power tool to assemble this product will invalidate any claim and damage this product making unsafe !!!
* Please assemble on a clean soft surface to avoid damage.


IMPORTANT:

PLEASE READ INSTRUCTION BEFORE STARTING THE ASSEMBLY

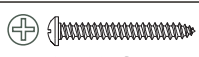
Part List - 790 Bookcase Small The Front



Identifying the Hardware-Identify the hardware using the illustrations below.

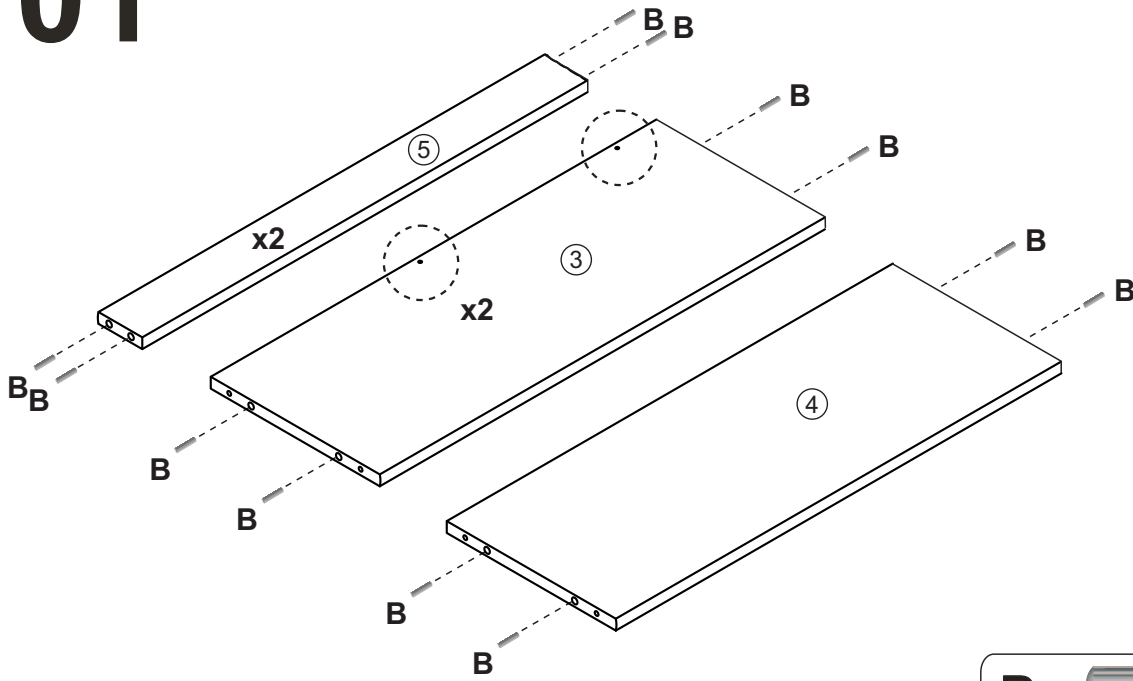
A  Qty **12**
7,0 x 50 Screw

B  Qty **20**
8 x 30 Wood Dowel

C  Qty **04**
4,0 x 30 Screw

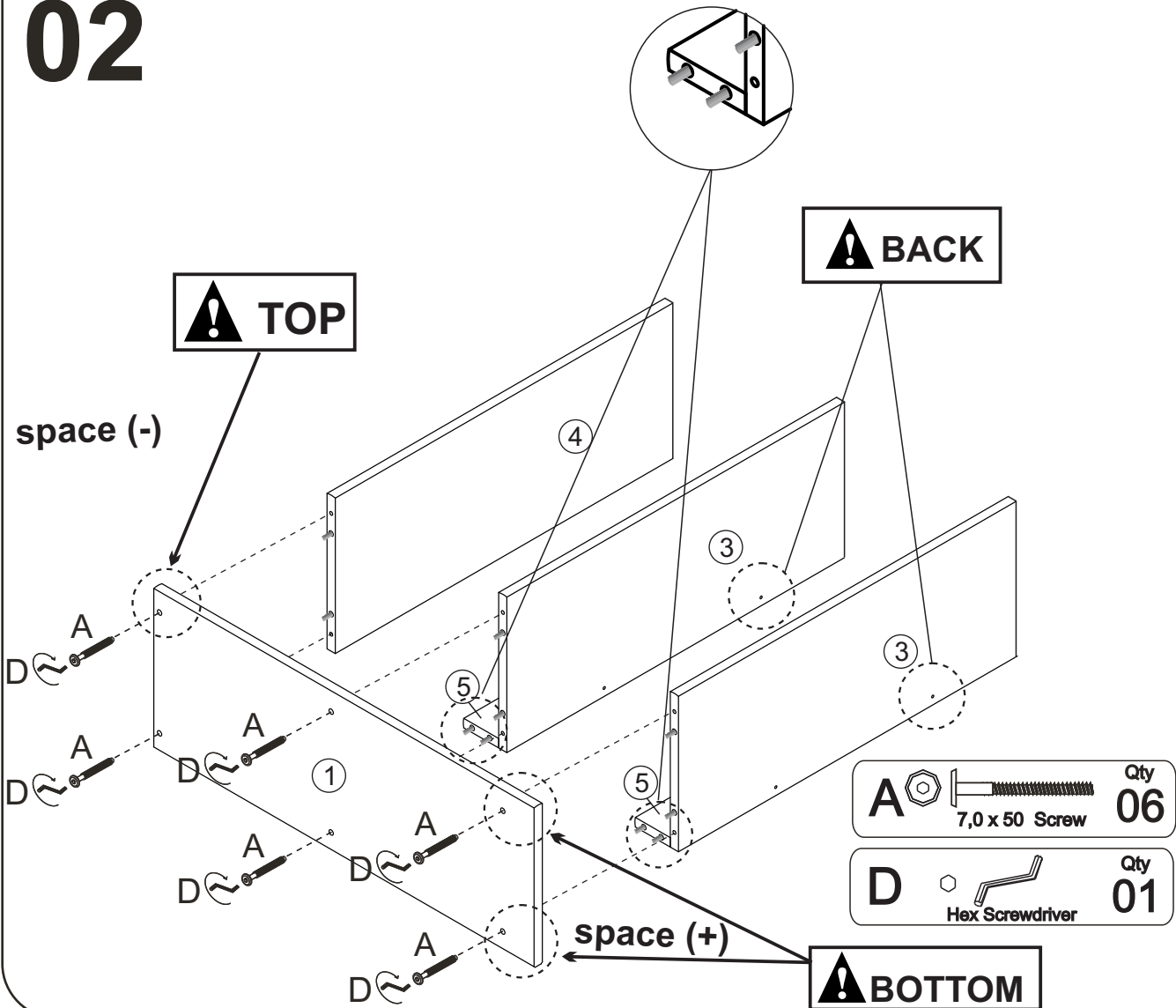
D  Qty **01**
Hex Screwdriver


01



B  Qty **20**
8 x 30 Wood Dowel

02

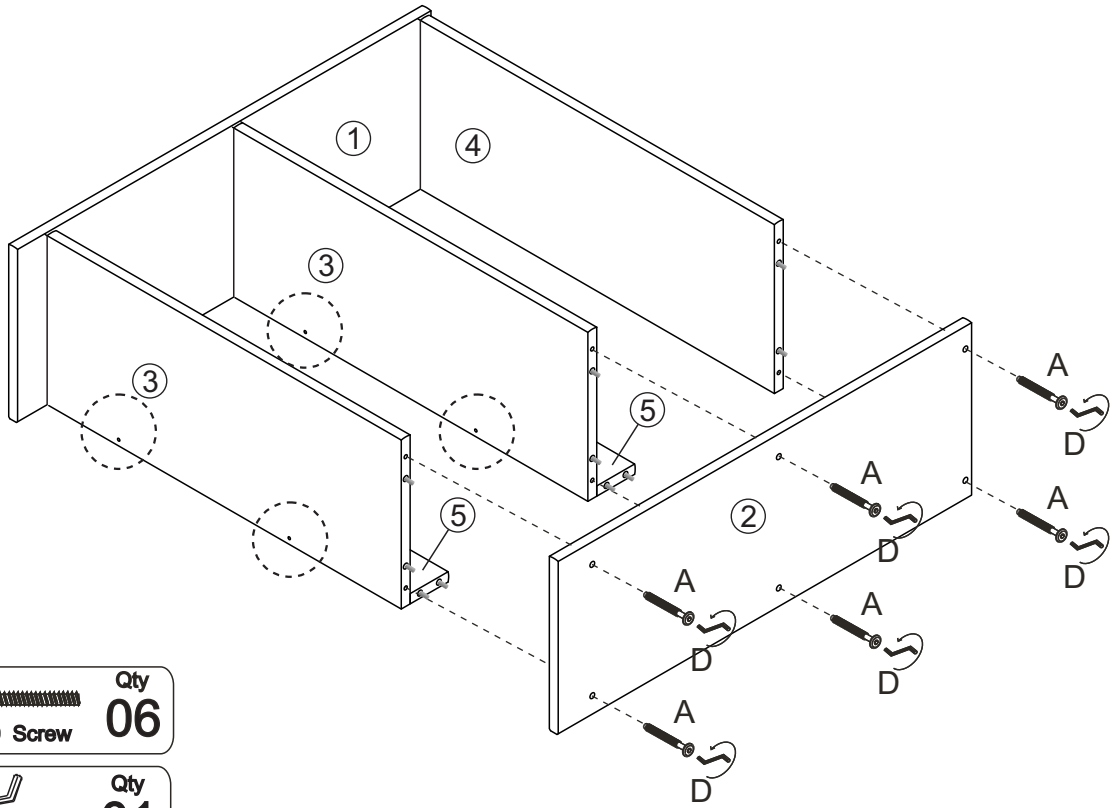


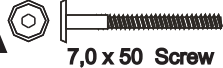

A  Qty **06**
7,0 x 50 Screw

D  Qty **01**
Hex Screwdriver

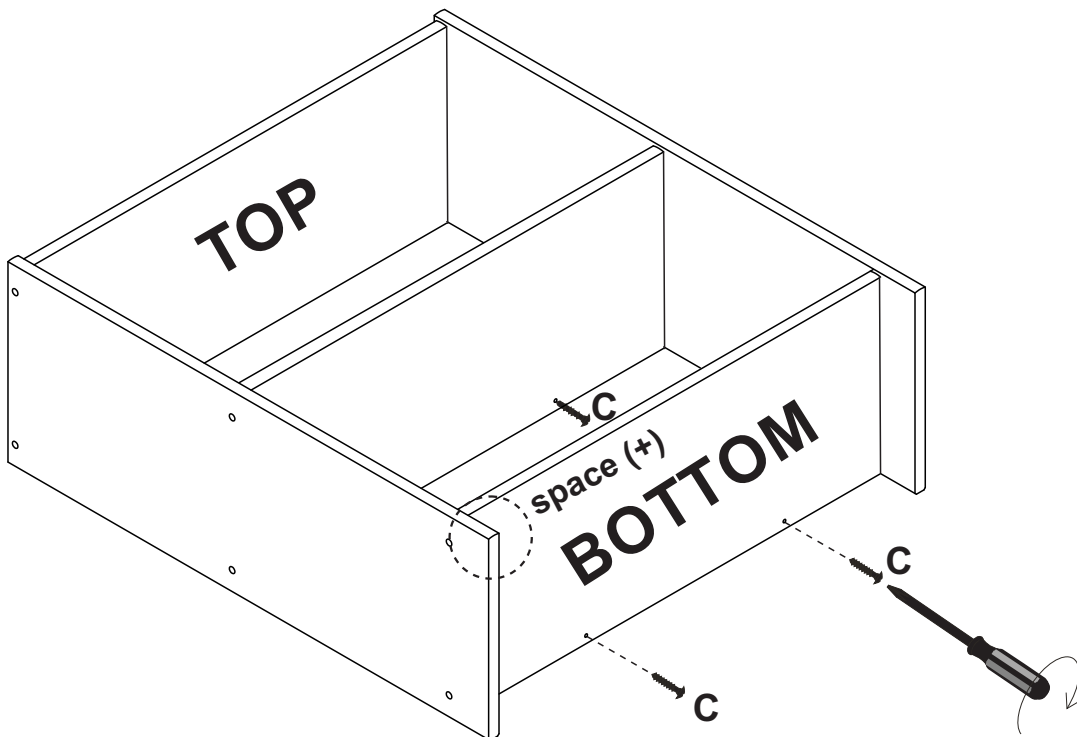
BOTTOM


03

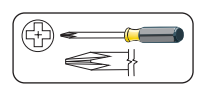


A		Qty 06
D		Qty 01

04



C		Qty 04
----------	---	------------------



(Not included)