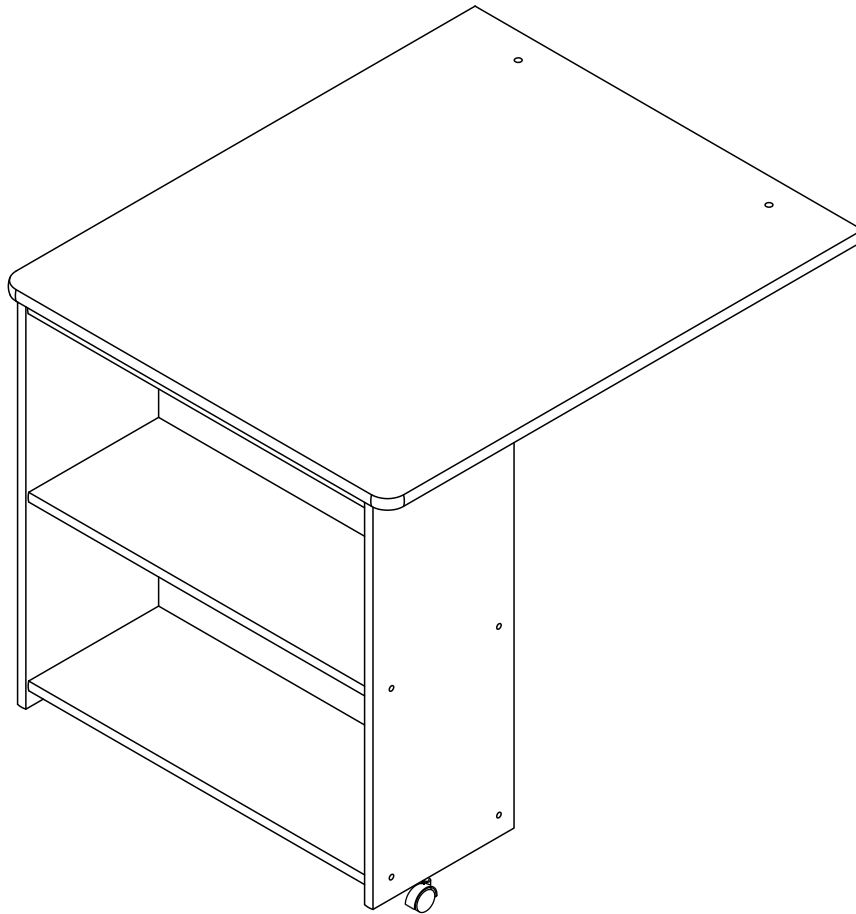


Fort Whorth, Texas 76140

ASSEMBLY INSTRUCTIONS

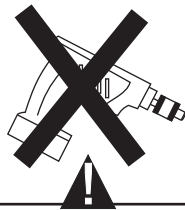
760 DESK



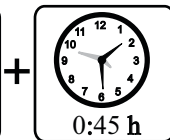
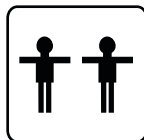
Thank you for purchasing this quality product. Be sure to check all packing material carefully for small parts which may have come loose inside the carton during shipment. Separate, identify and count all parts and hardware.

Compare with the parts list to be sure all parts are present.

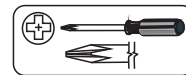
"DO NOT TIGHTEN SCREWS UNTIL COMPLETELY ASSEMBLED"



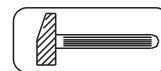
* Use of power tool to assemble this product will invalidate any claim and damage this product making unsafe !!!
* Please assemble on a clean soft surface to avoid damage.



Tools Required



(Not Includ)

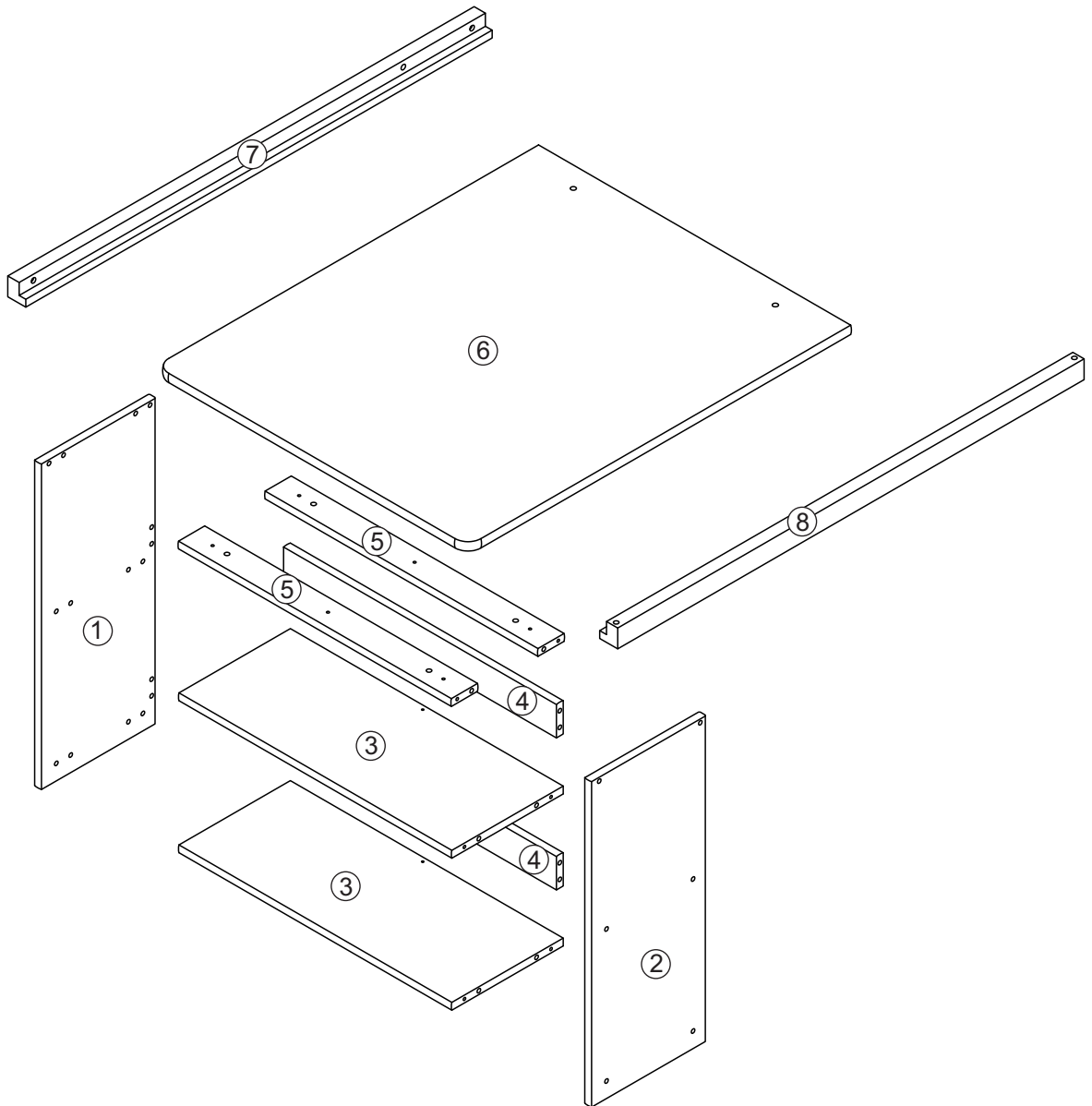


(Not Includ)

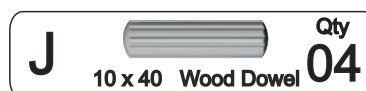
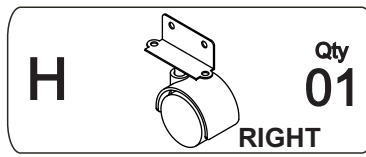
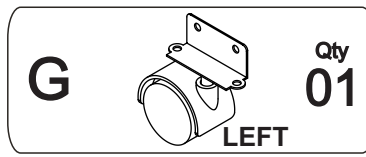
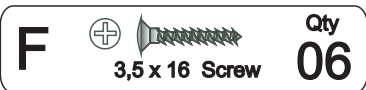
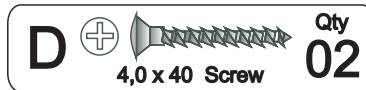
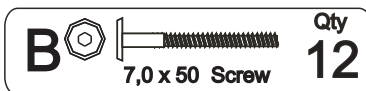
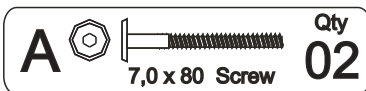
IMPORTANT:

PLEASE READ INSTRUCTION BEFORE STARTING THE ASSEMBLY

Part List - 760 DESK

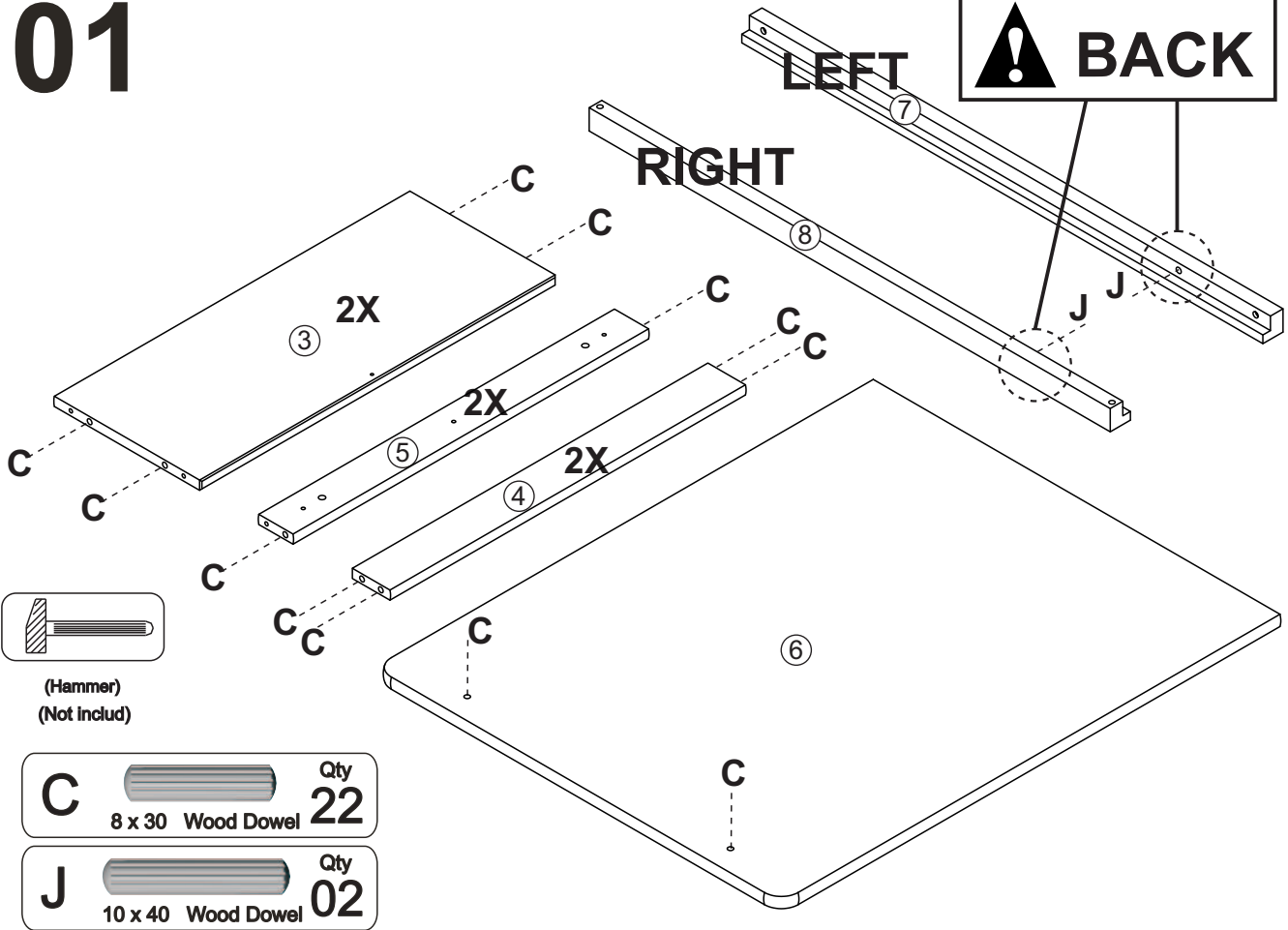


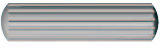
Identifying the Hardware-Identify the hardware using the illustrations below.

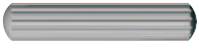


01

! BACK



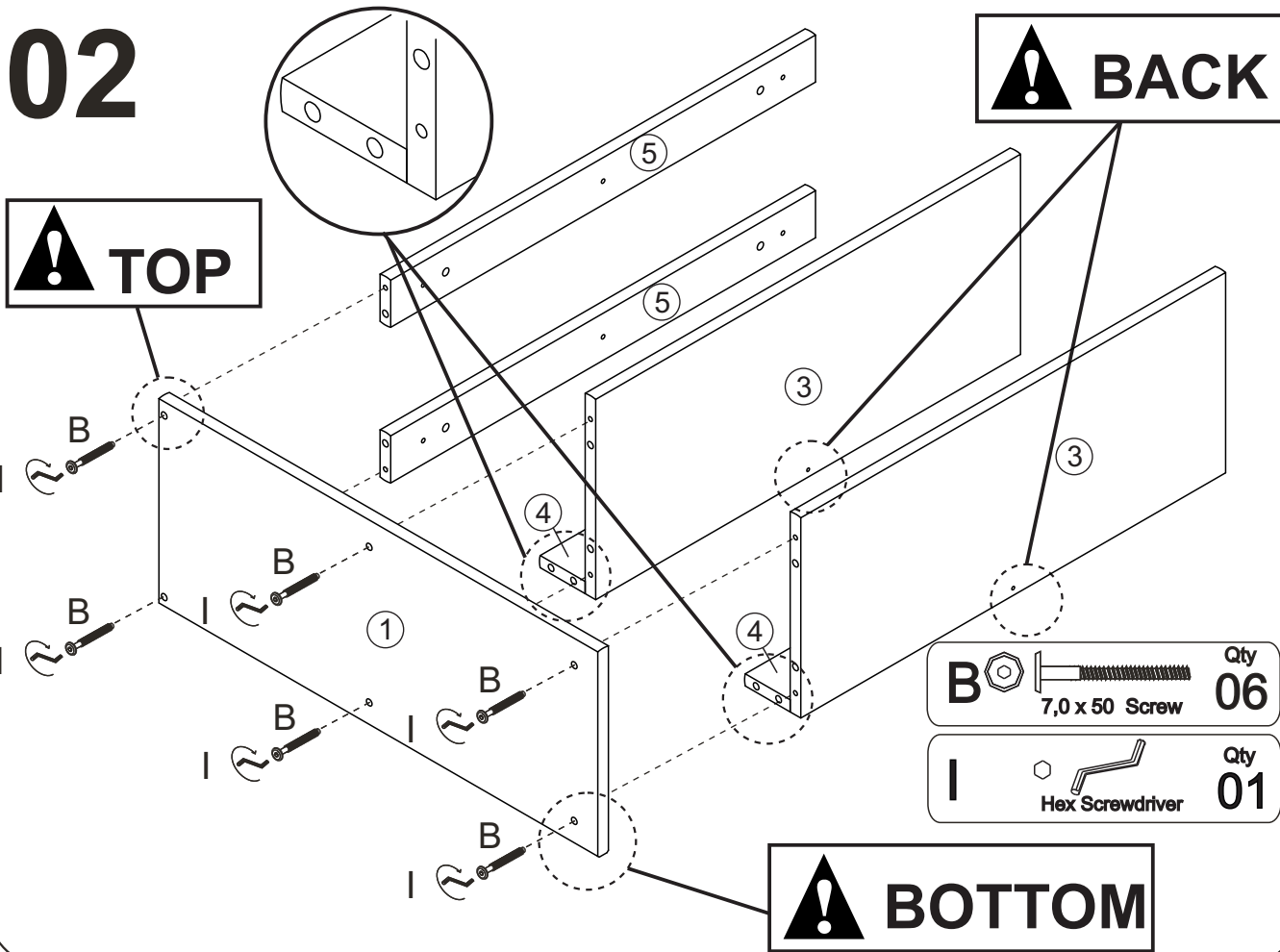
C  Qty **22**
8 x 30 Wood Dowel


J  Qty **02**
10 x 40 Wood Dowel

02

! BACK

! TOP

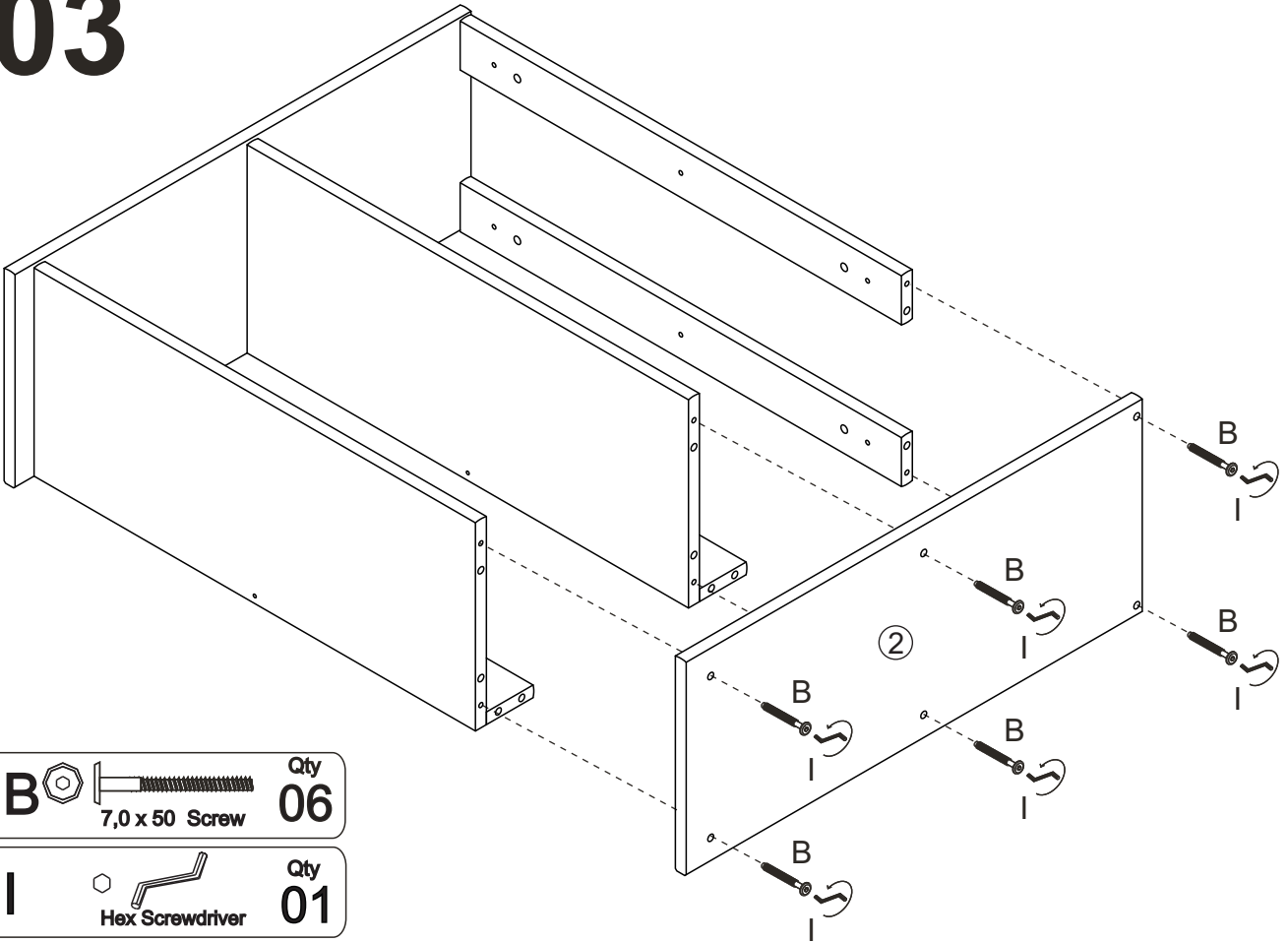



B  Qty **06**
7,0 x 50 Screw

I  Qty **01**
Hex Screwdriver

! BOTTOM

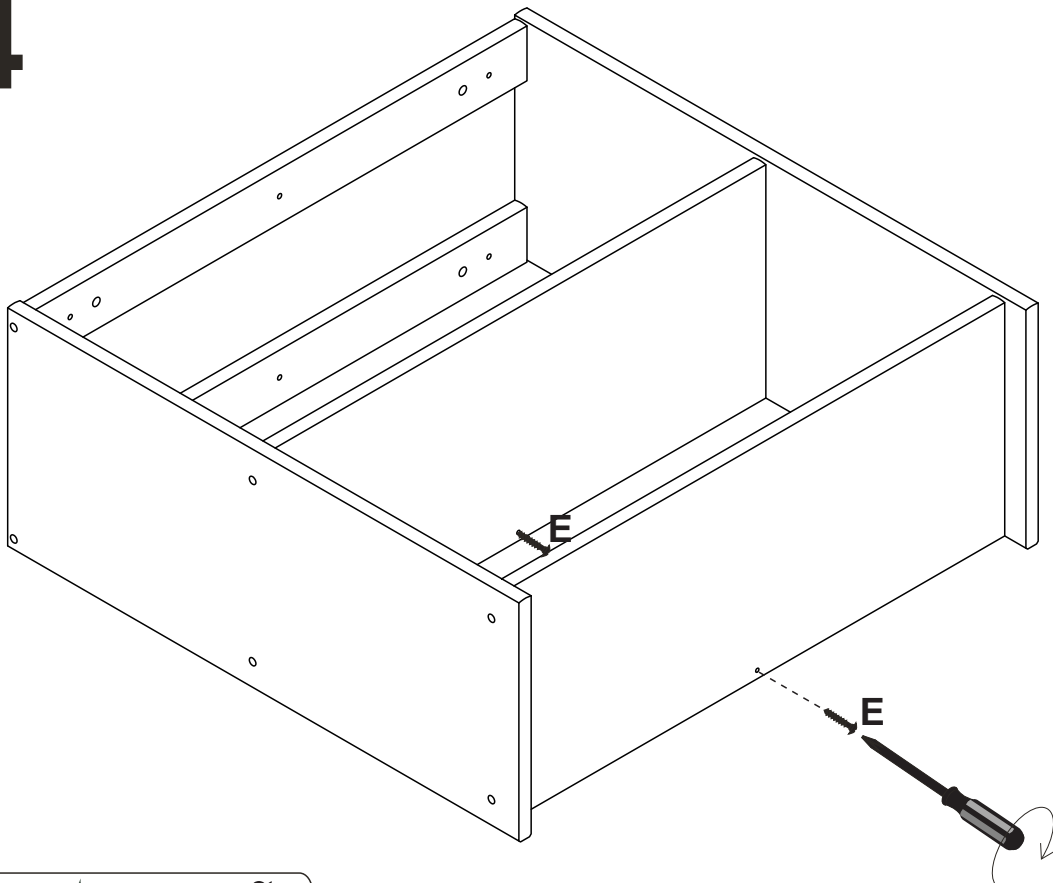
03




B  Qty **06**
7,0 x 50 Screw

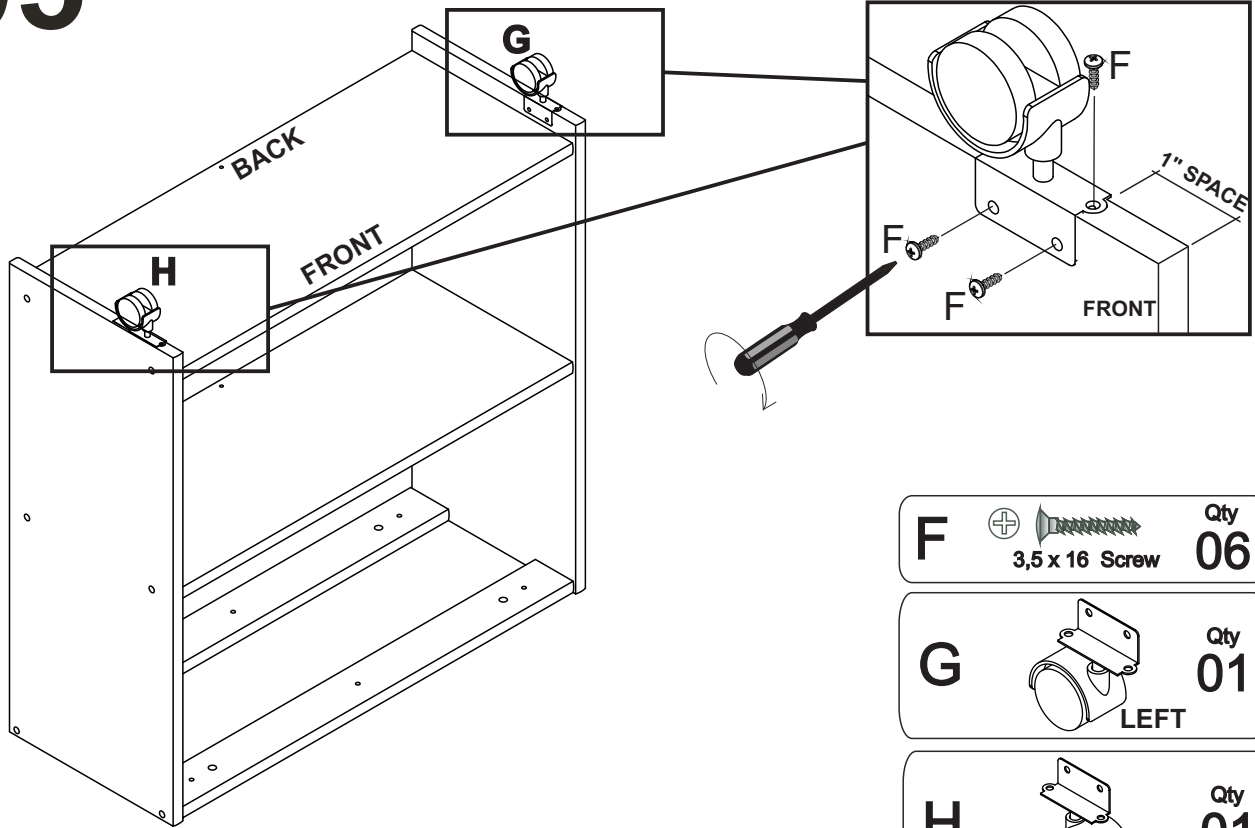
I  Qty **01**
Hex Screwdriver


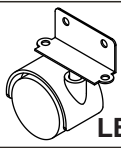
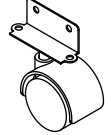
04



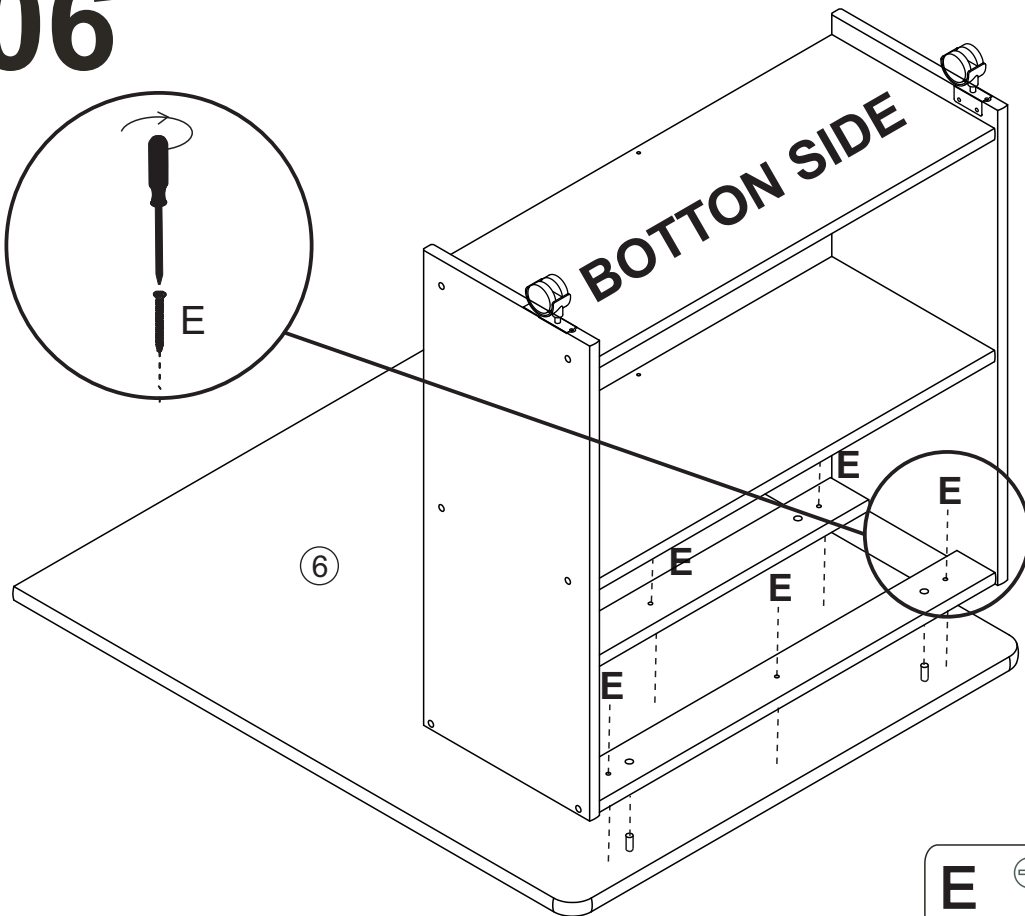
E  Qty **02**
4,0 x 30 Screw

05



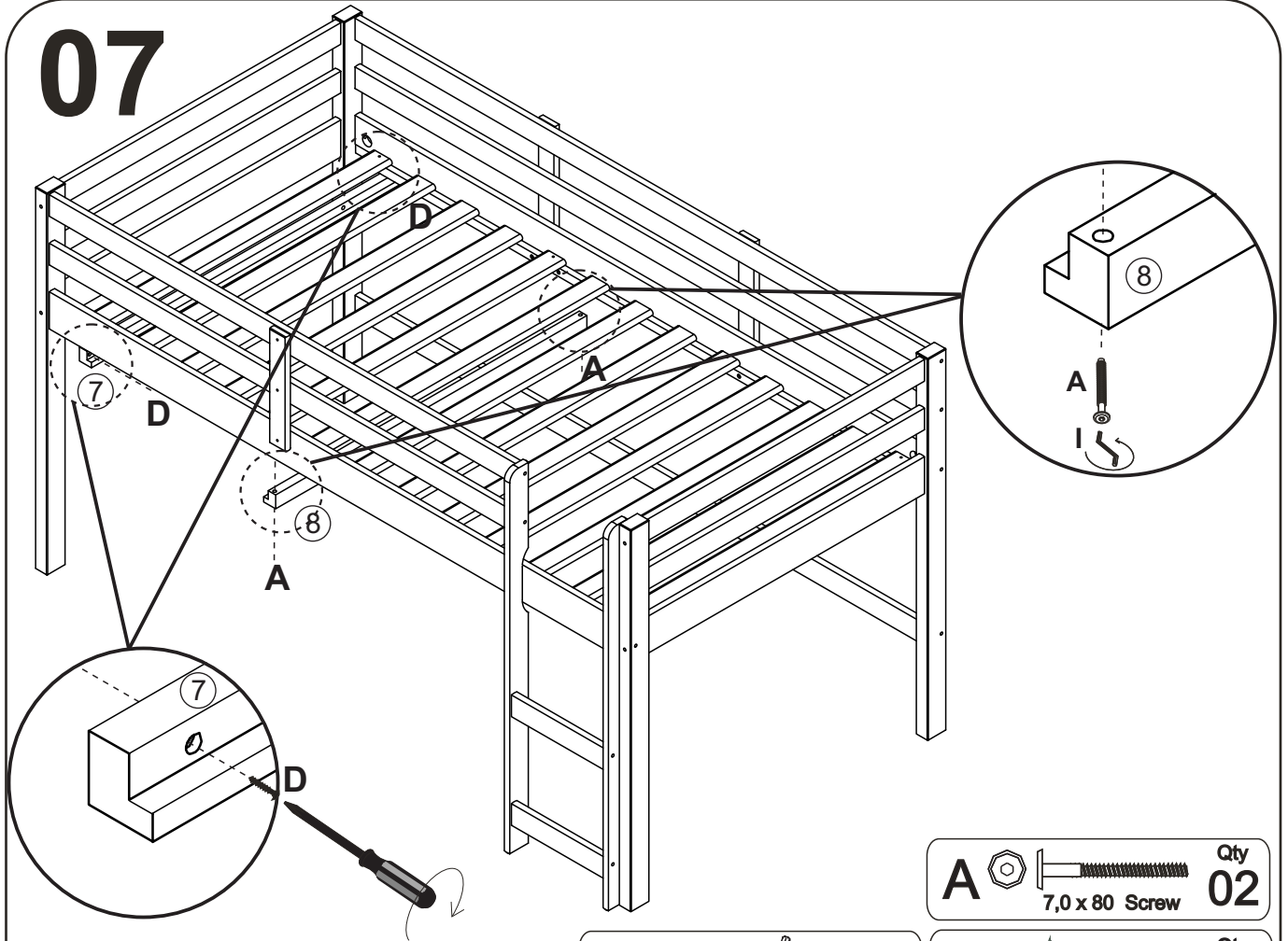
- F**  Qty **06**
3,5 x 16 Screw
- G**  Qty **01**
LEFT
- H**  Qty **01**
RIGHT


06



- E**  Qty **06**
4,0 x 30 Screw

07

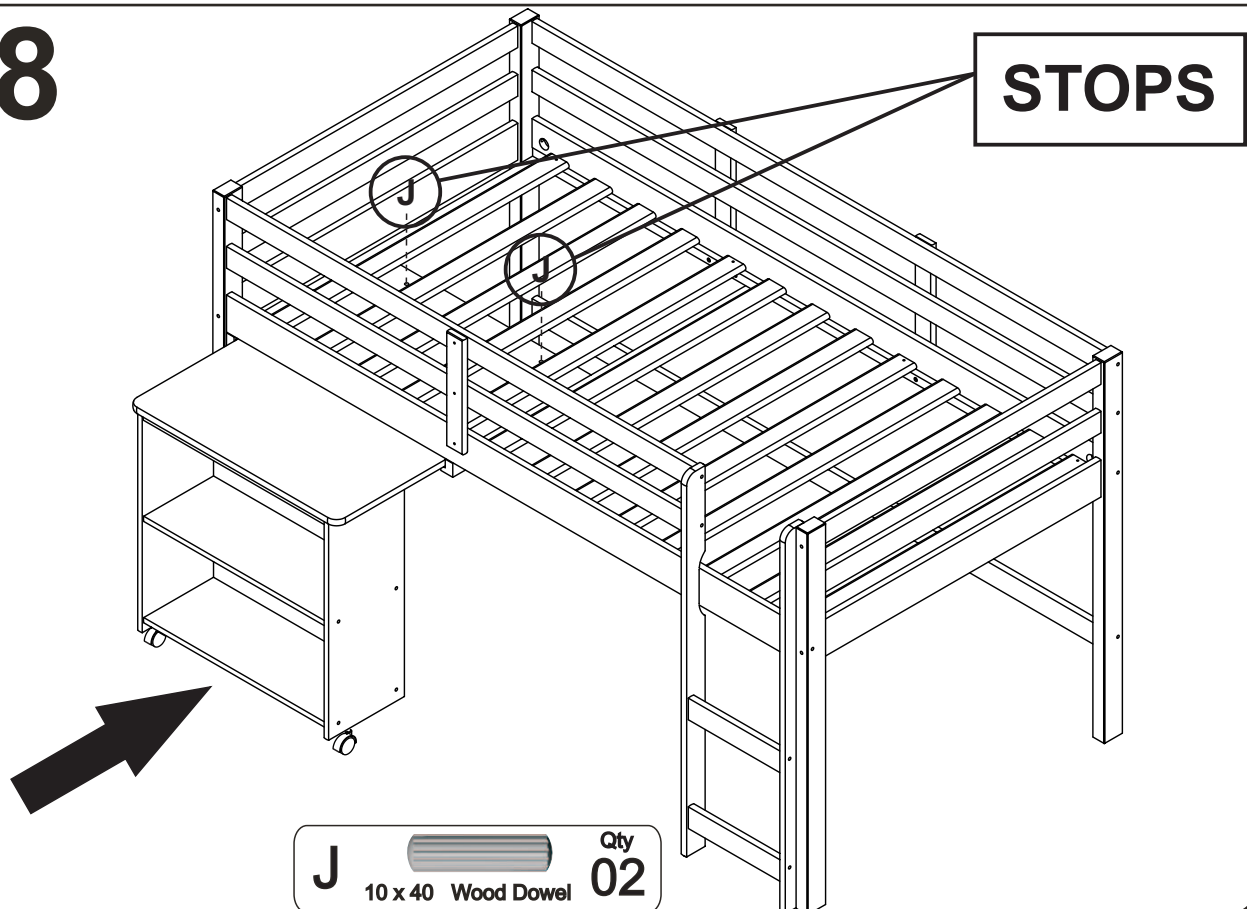


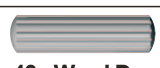
A  Qty **02**
7,0 x 80 Screw

I  Qty **01**
Hex Screwdriver

D  Qty **02**
4,0 x 40 Screw

08



J  Qty **02**
10 x 40 Wood Dowel