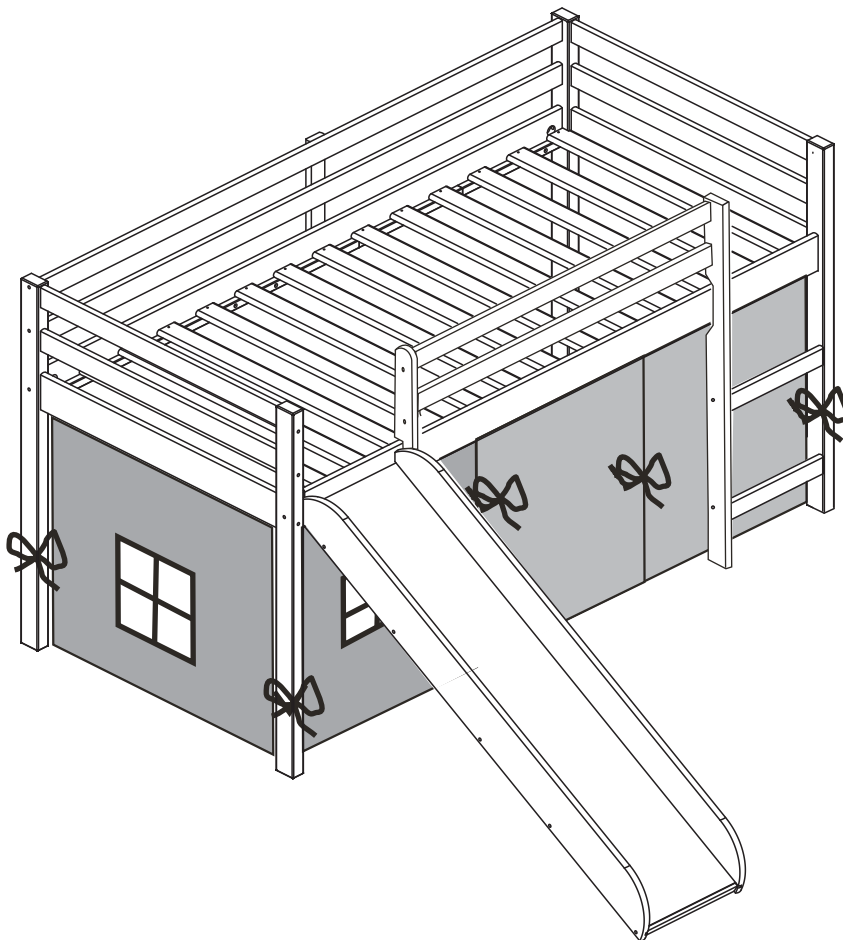




Fort Worth, Texas 76140

ASSEMBLY INSTRUCTIONS

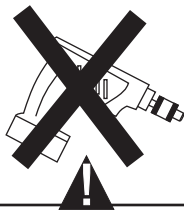
750 TENT BED



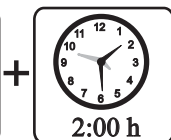
Thank you for purchasing this quality product. Be sure to check all packing material carefully for small parts which may have come loose inside the carton during shipment. Separate, identify and count all parts and hardware.

Compare with the parts list to be sure all parts are present.

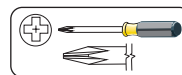
“DO NOT TIGHTEN SCREWS UNTIL COMPLETELY ASSEMBLED”



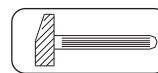
Use of power tool to assemble this product will invalidate any claim and damage this product making unsafe !!! Please assemble on a clean soft surface to avoid damage.



Tools Required



(Not included)



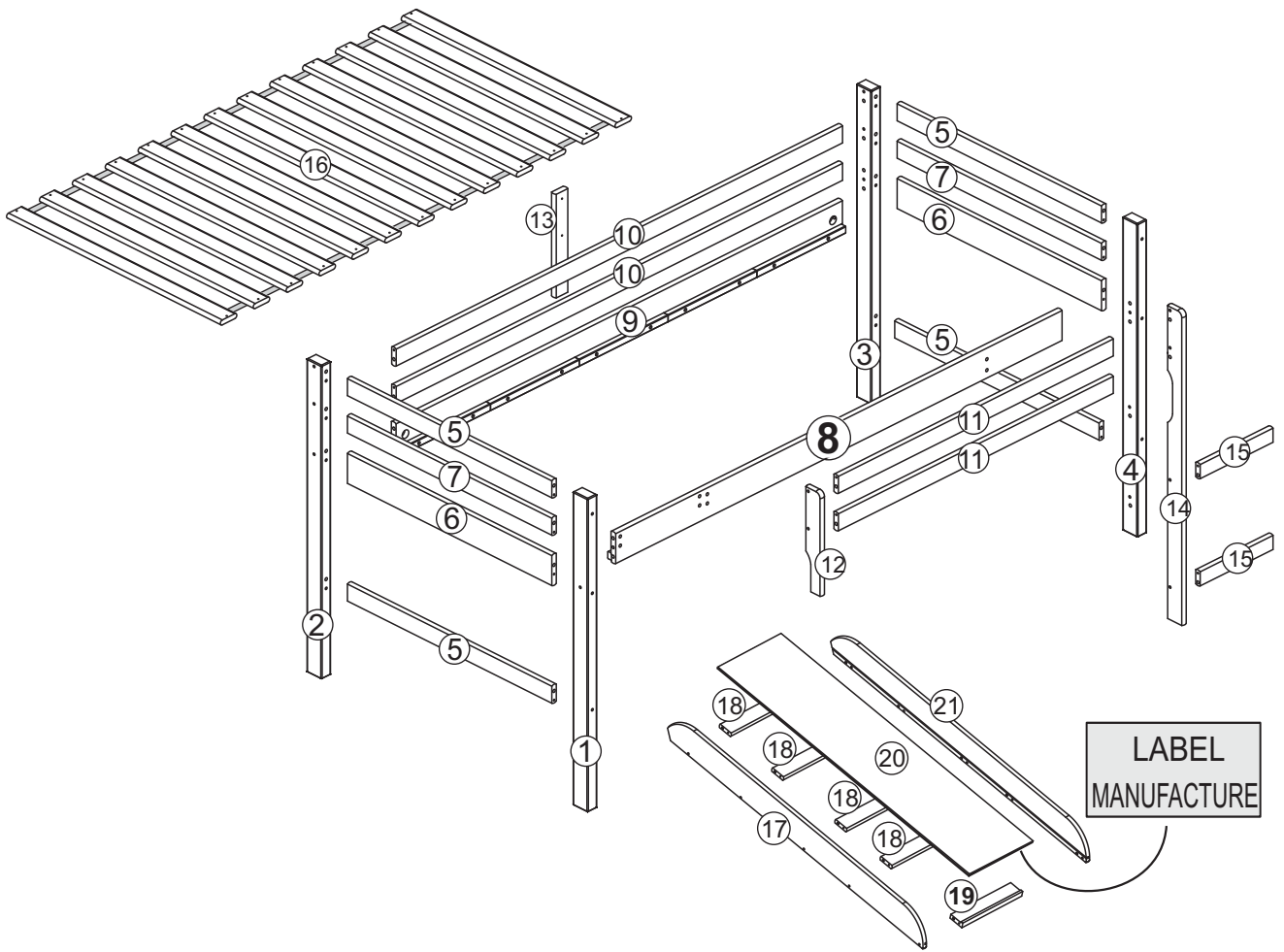
(Not included)



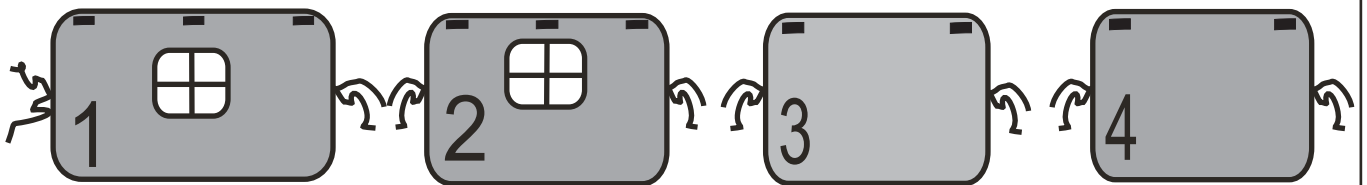
IMPORTANT:

PLEASE READ INSTRUCTION BEFORE STARTING THE ASSEMBLY

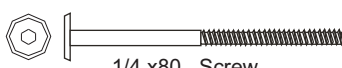


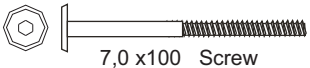

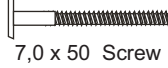


Part List - 750 TENT BED



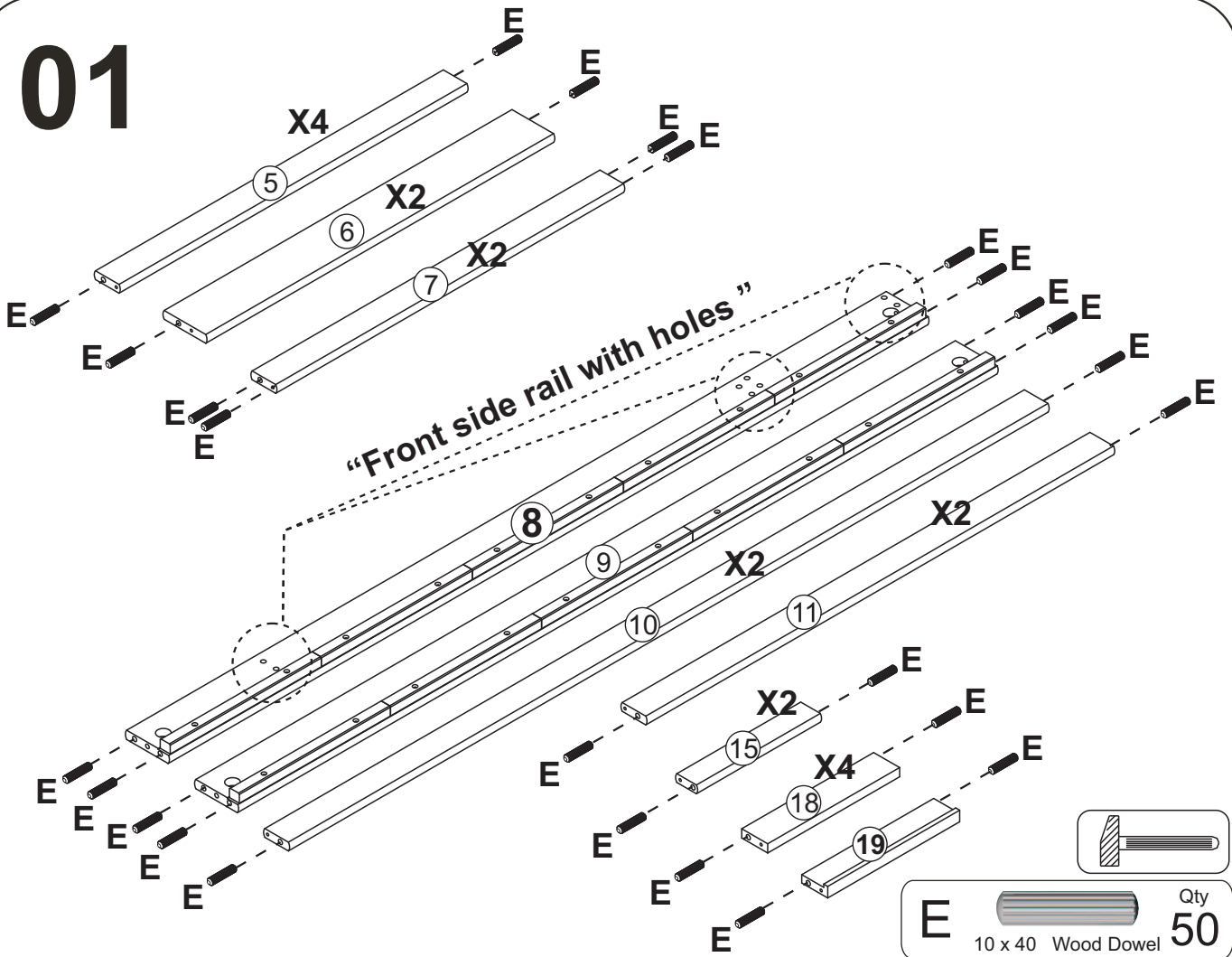
x2



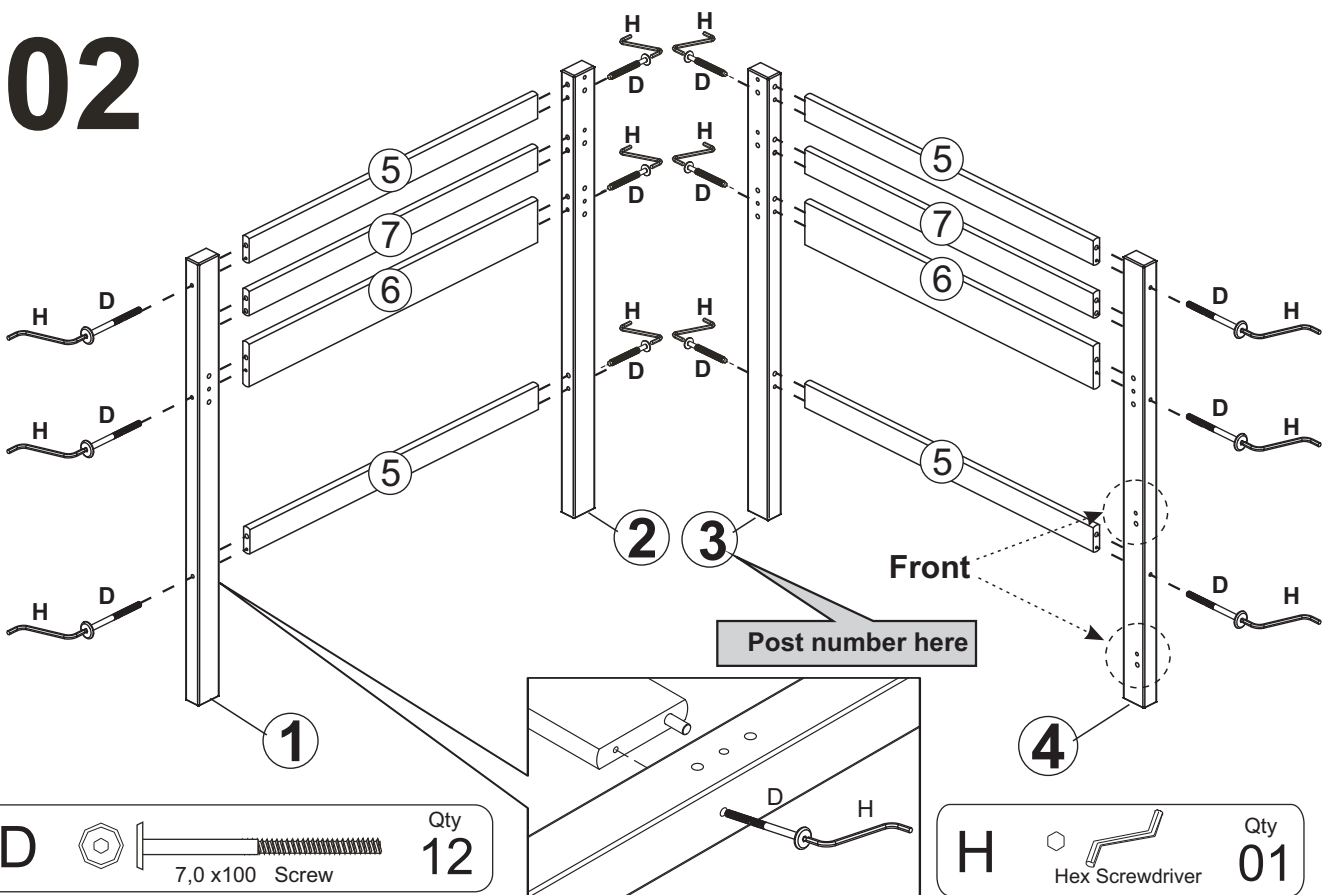
Identifying the Hardware-Identify the hardware using the illustrations below.

A  Qty 04 1/4 x 80 Screw	B  Half Moon Qty 04 1/4" Half Moon	C  Qty 06 7,0 x 70 Screw
D  Qty 12 7,0 x 100 Screw	E  Qty 50 10 x 40 Wood Dowel	F  Qty 24 7,0 x 50 Screw
G  Qty 29 4,0 x 30 Screw	H  Qty 01 Hex Screwdriver	

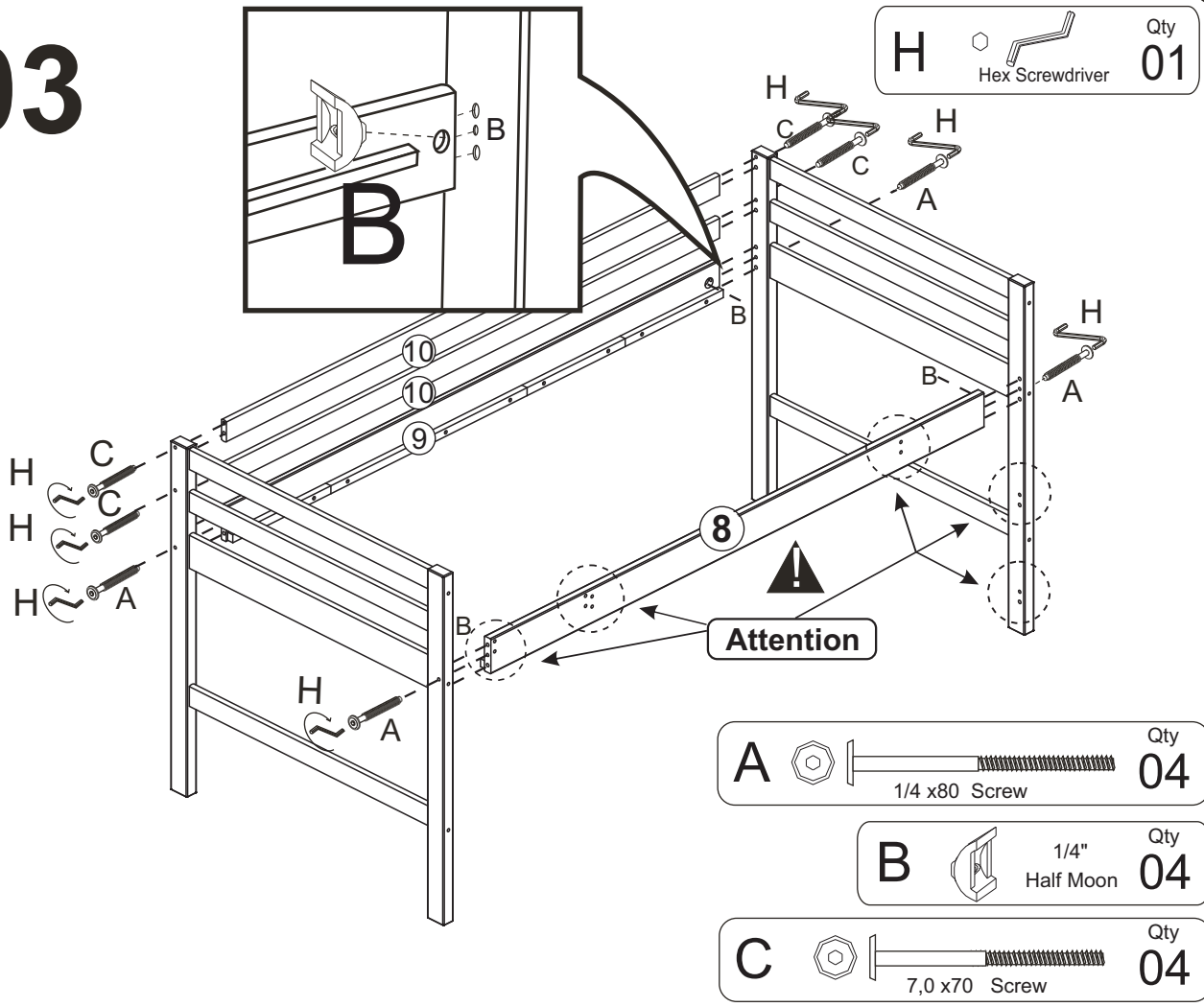
01



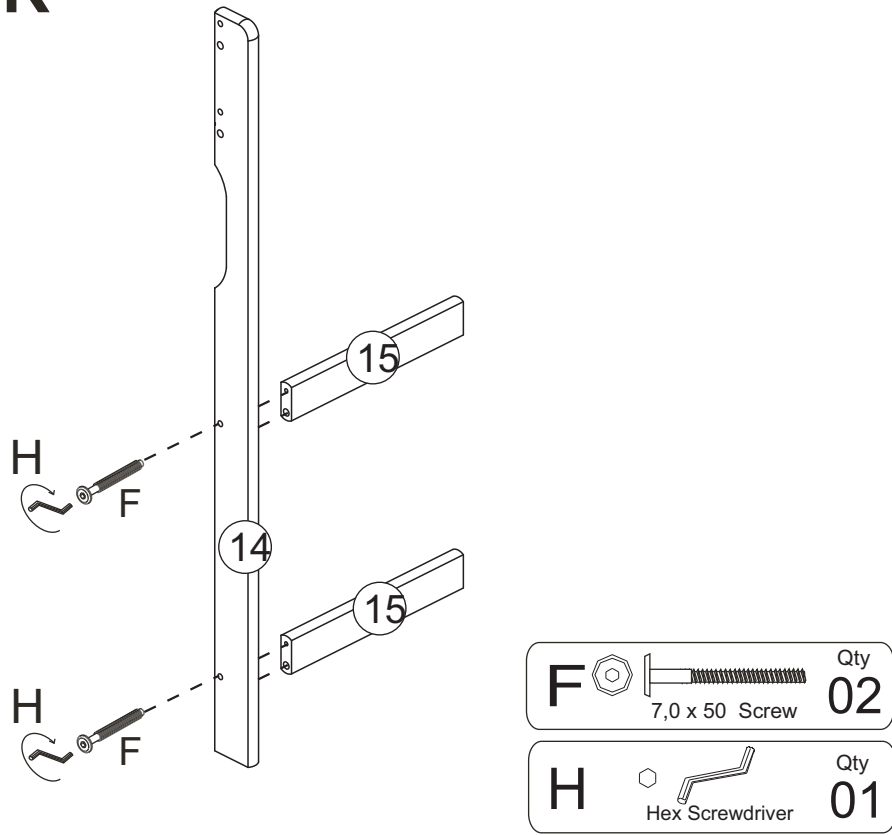
02



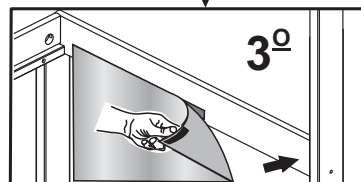
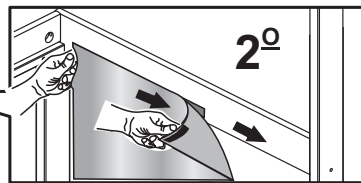
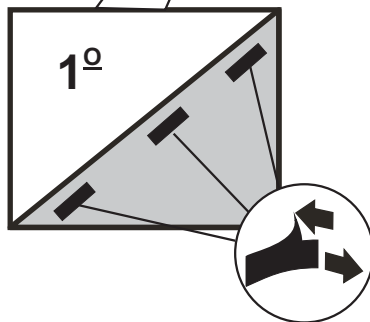
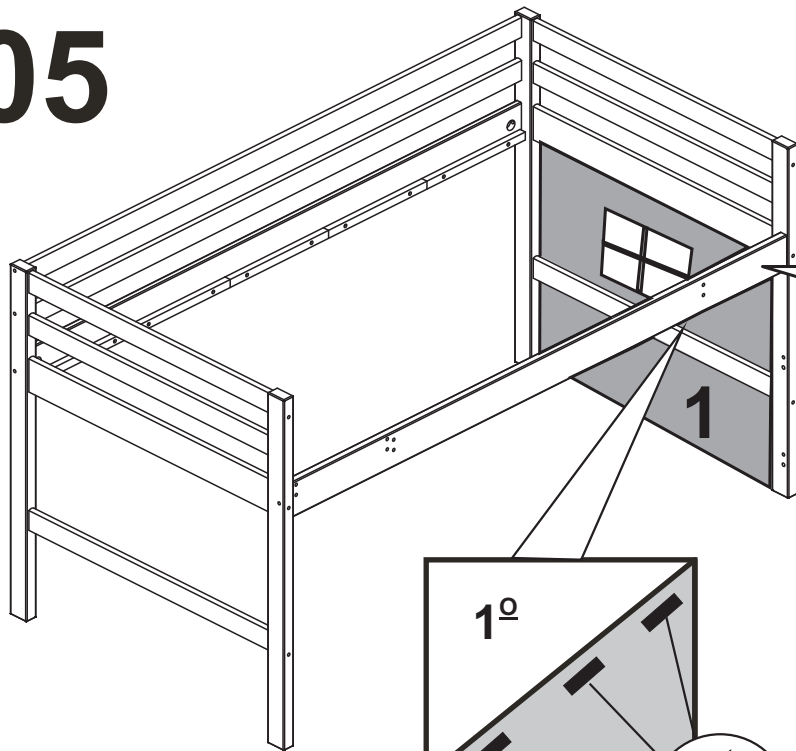
03



04 LADDER



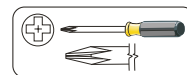
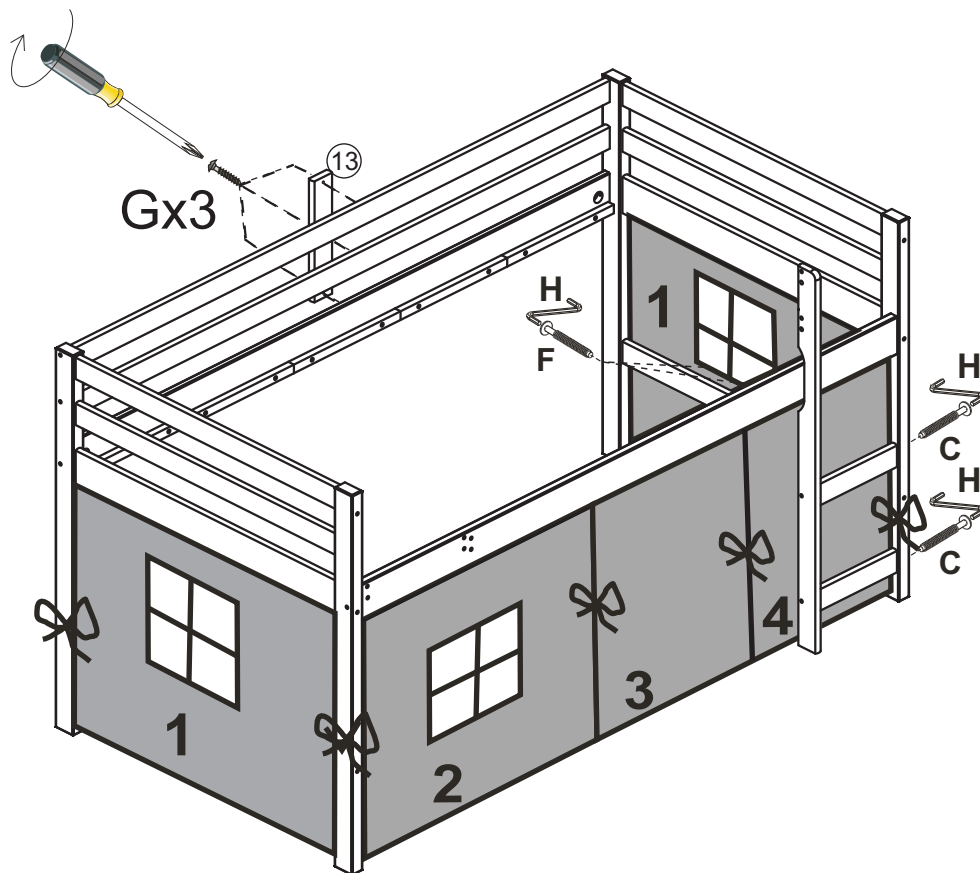
05

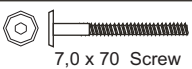


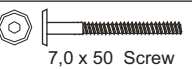
ATTENTION

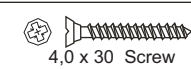
Please remove the fine paper glued (Adhesived) on the velcro applied on the **Tent**. After this step, hold tight the **Tent** on both ends to fix on the crossbars and on front side rail like showing on instructions.

06



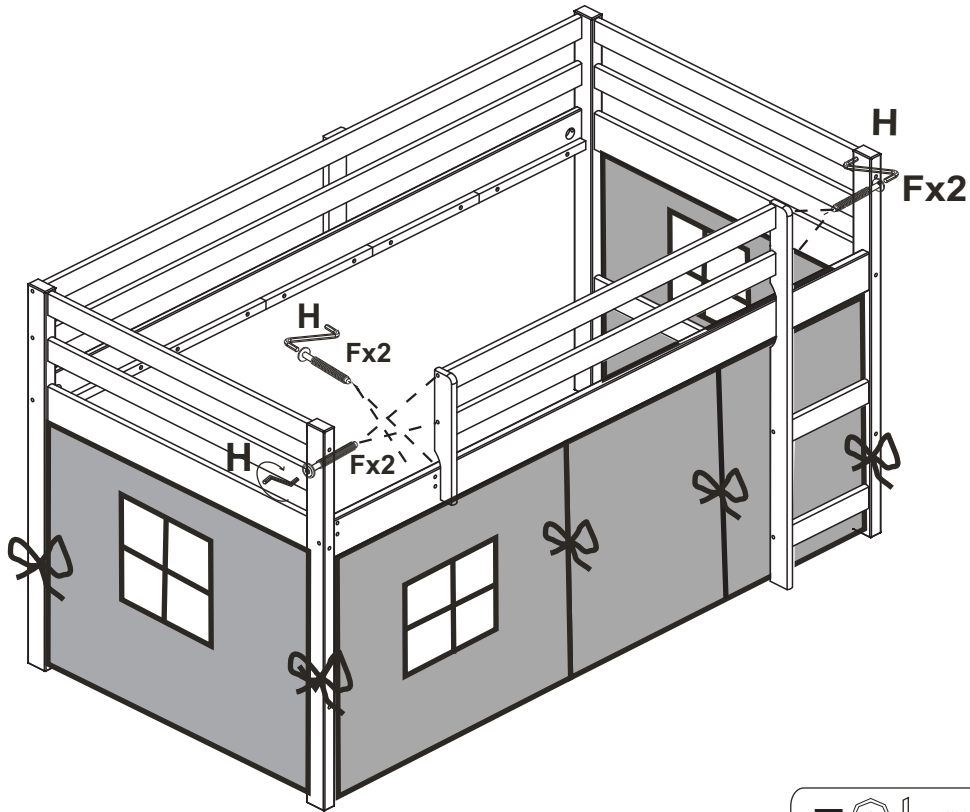
C  Qty **02**



F  Qty **02**

G  Qty **03**

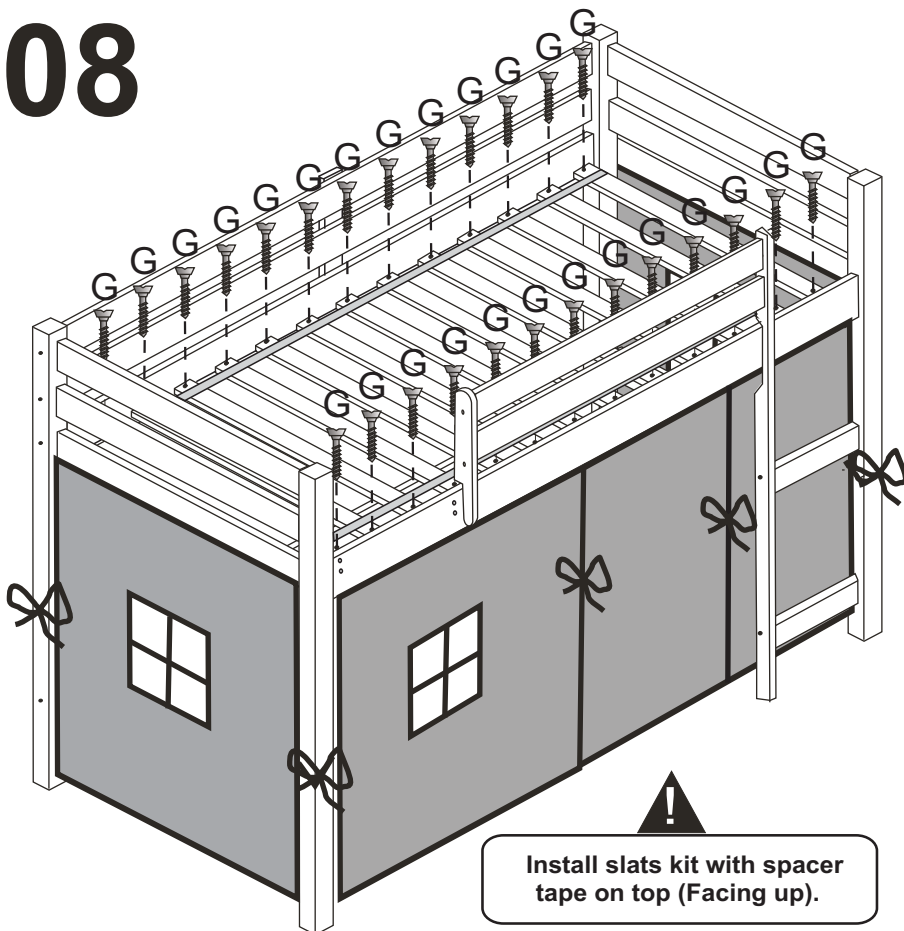
H  Qty **01**

07



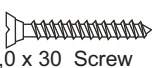
F		Qty 06
H		Qty 01

08



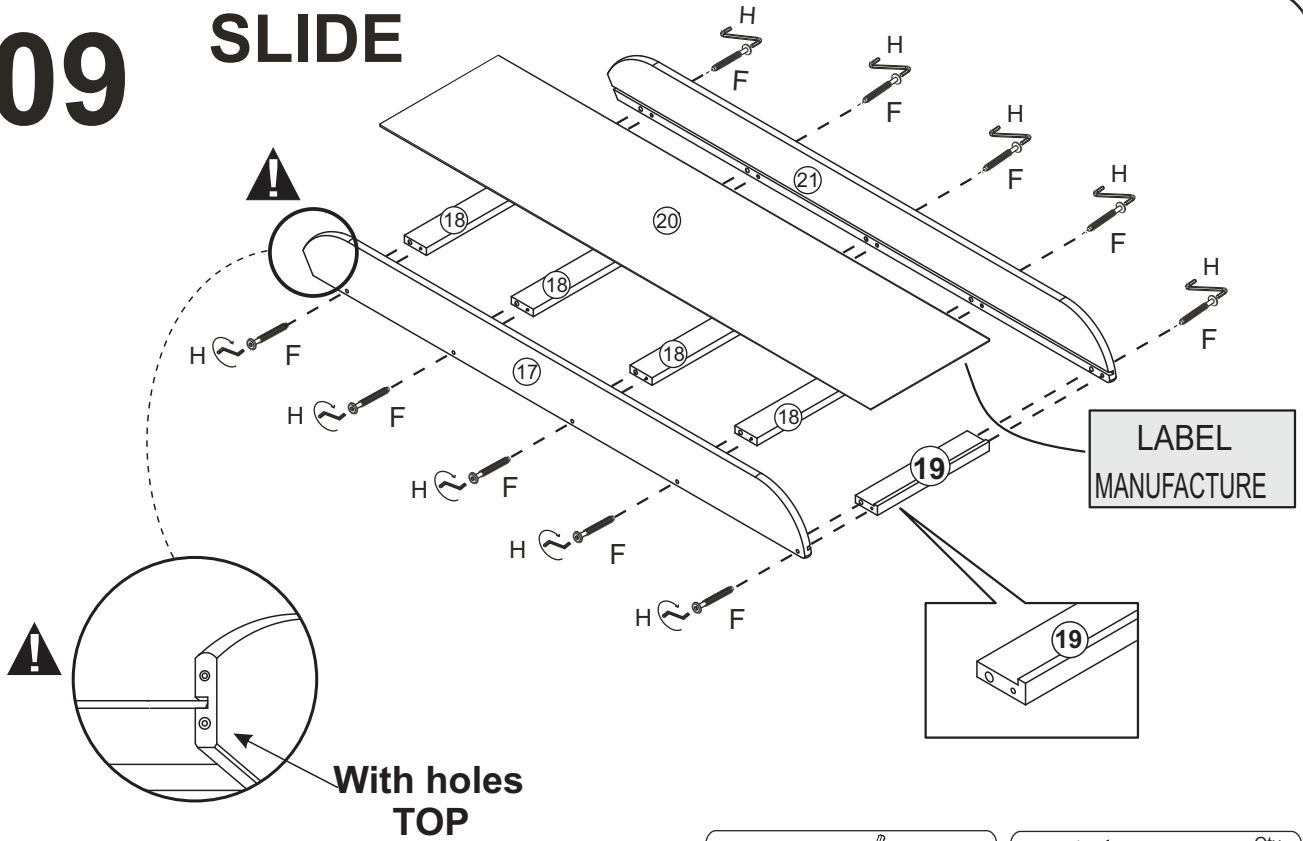
The first slats must be fixed here at 3" from each headboard end.

Install slats kit with spacer tape on top (Facing up).

G		Qty 26
----------	---	------------------

09

SLIDE



10

