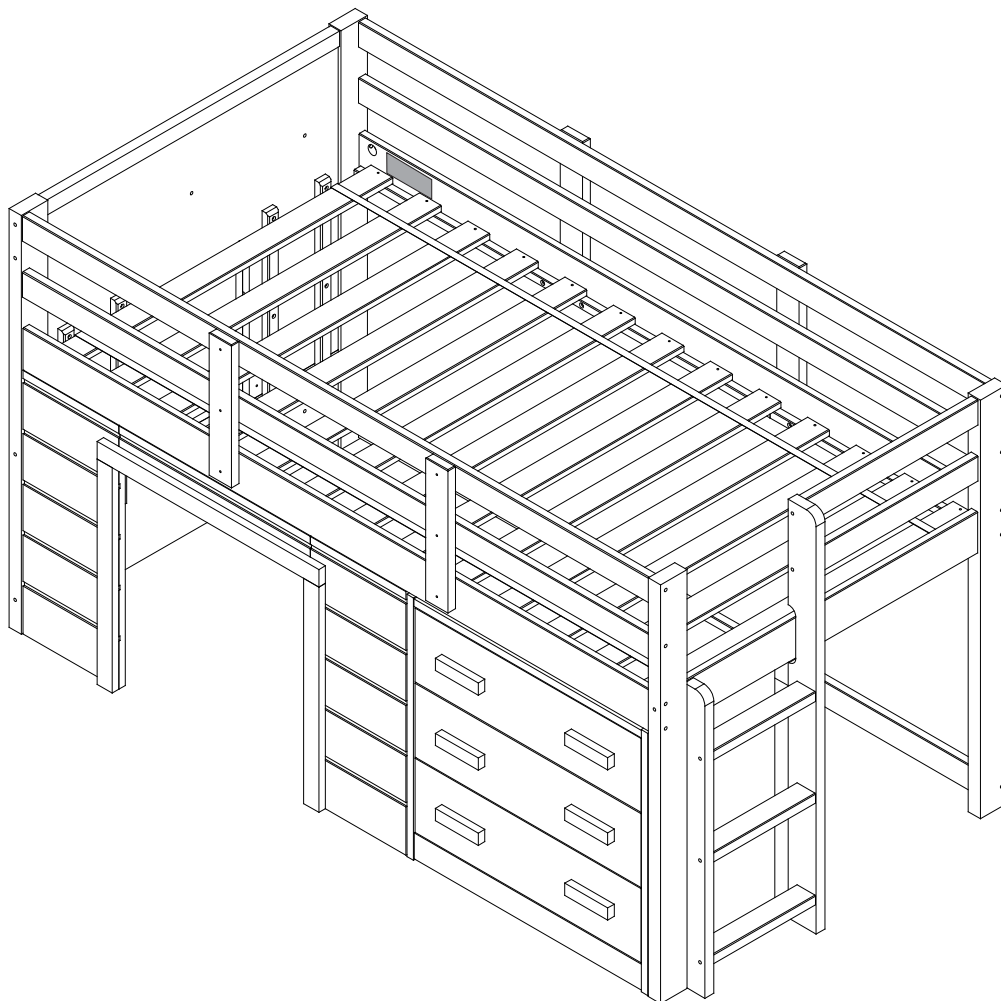


Fort Worth, Texas 76140

ASSEMBLY INSTRUCTIONS

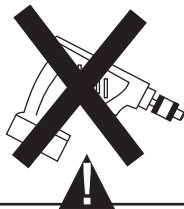
1830 - TWIN SWEET DREAMS LOW LOFT



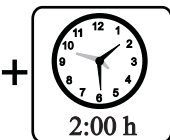
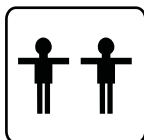
Thank you for purchasing this quality product. Be sure to check all packing material carefully for small parts which may have come loose inside the carton during shipment. Separate, identify and count all parts and hardware.

Compare with the parts list to be sure all parts are present.

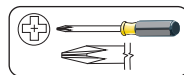
"DO NOT TIGHTEN SCREWS UNTIL COMPLETELY ASSEMBLED"



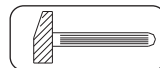
* Use of power tool to assemble this product will invalidate any claim and damage this product making unsafe !!!
* Please assemble on a clean soft surface to avoid damage.



Tools Required



(Not included)



(Not included)

IMPORTANT:

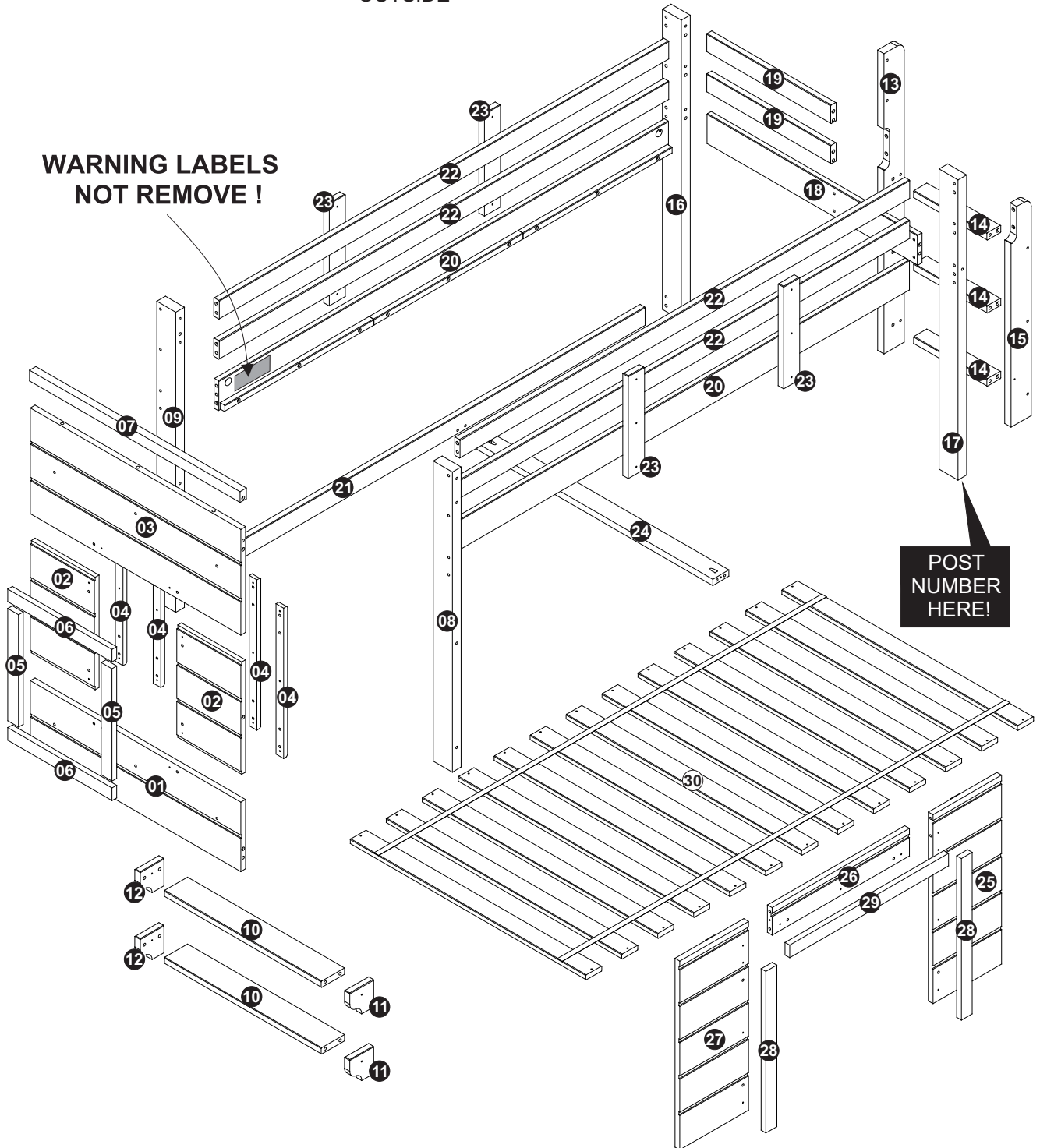
PLEASE READ INSTRUCTION BEFORE STARTING THEASSEMBLY

Part List - 1830 - TWIN SWEET DREAMS LOW LOFT



RUSTIC
OUTSIDE

WARNING LABELS
NOT REMOVE !



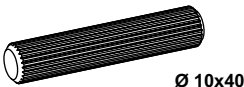
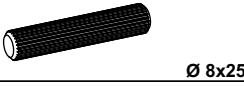

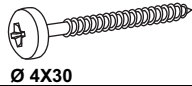

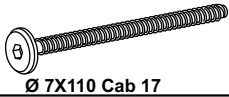

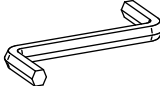

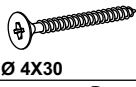

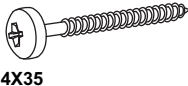

POST
NUMBER
HERE!



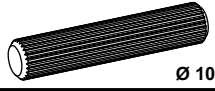

Caution

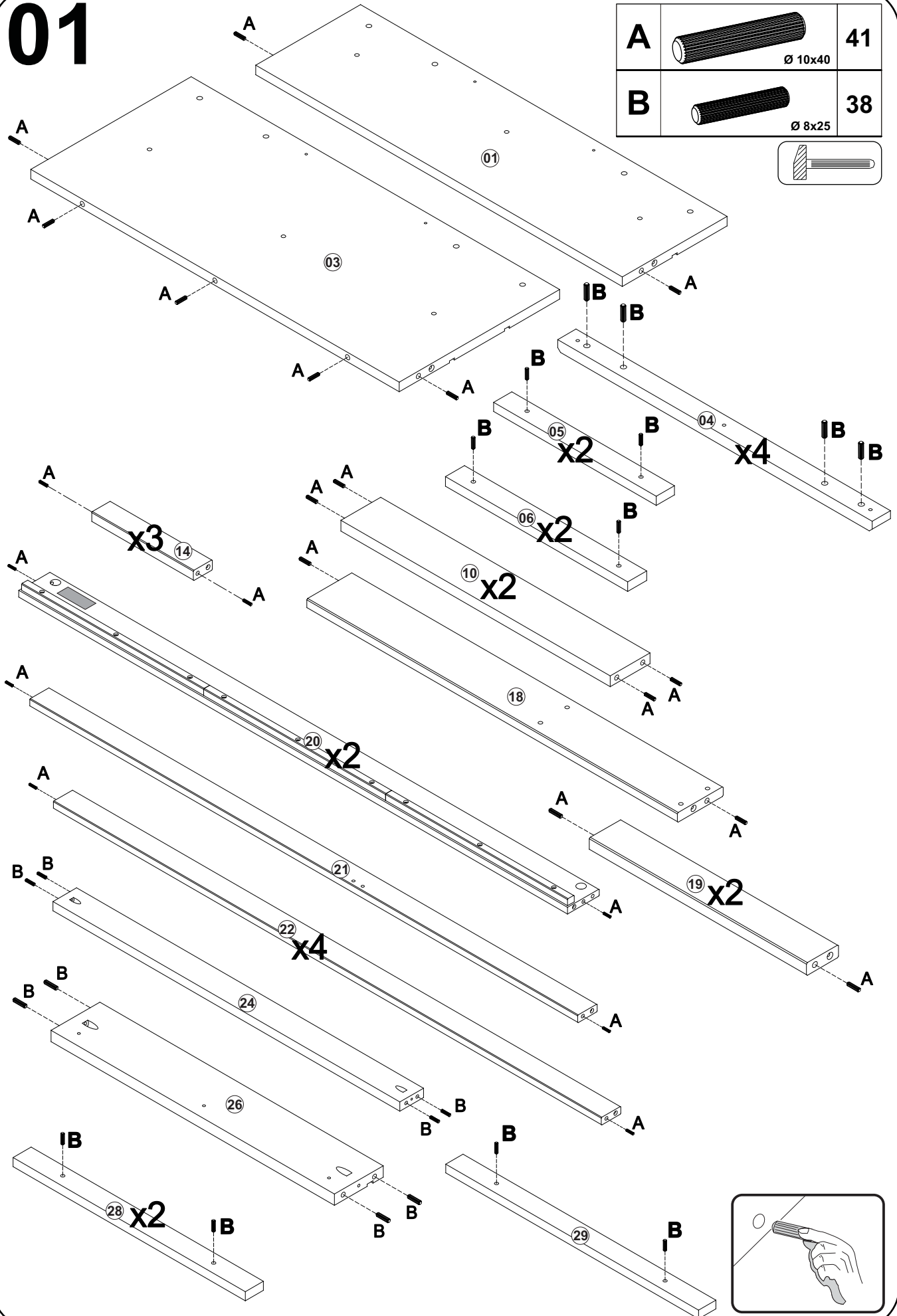
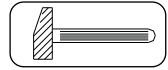
Please be careful when assembling this product due the parts are extremely heavy. Also, please do not allow kids around when assembling this bed to avoid injuries.

Identifying the Hardware-Identify the hardware using the illustrations below.

A		41
B		38
C		14
D		31
E		04
F		12
G		04
H		02
I		14
J		26
K		07
L		21
M		18


01

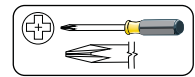
A		41
B		38



02



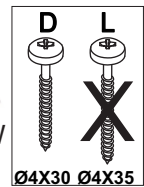
D		12
	<small>Ø 4X30</small>	



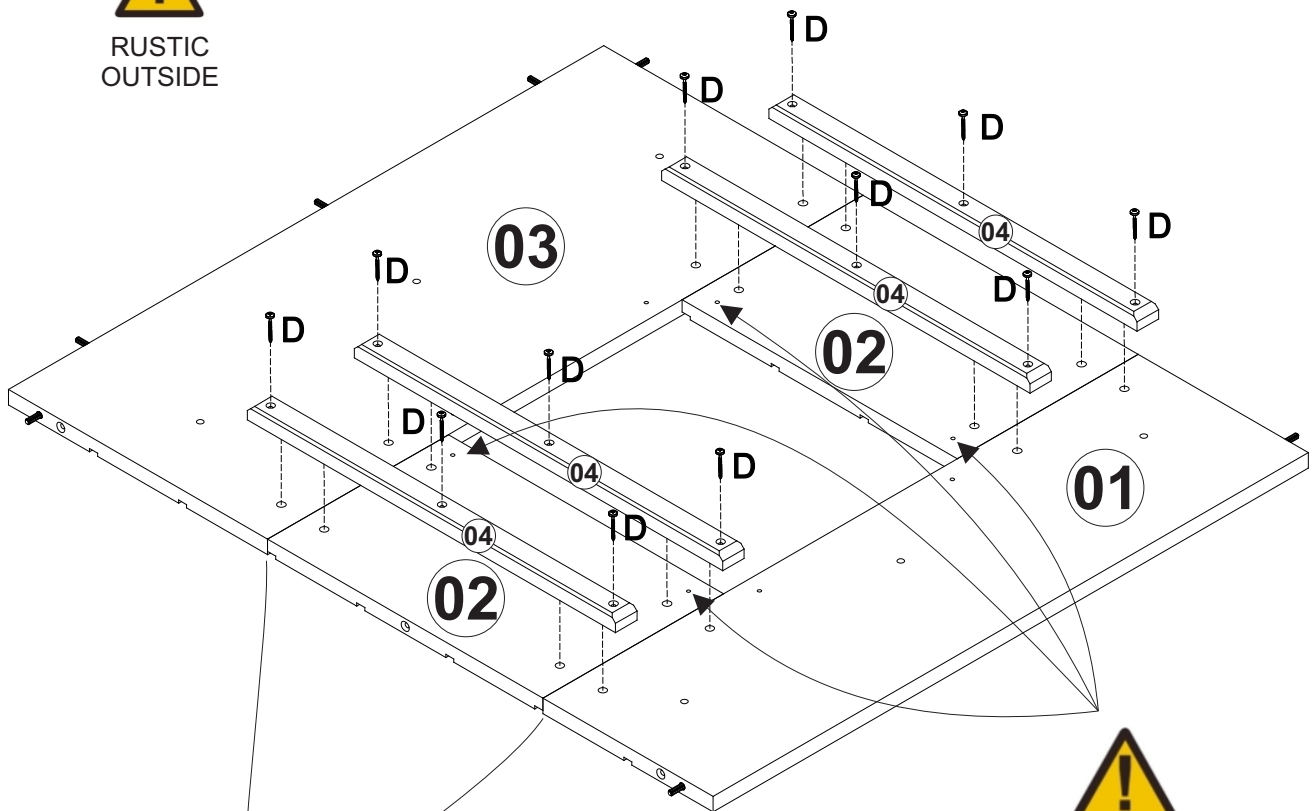
PLEASE ASSEMBLY THE
HEADBOARDS ON THE FLOOR



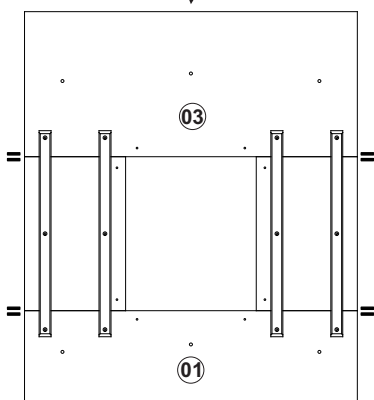
SCREW



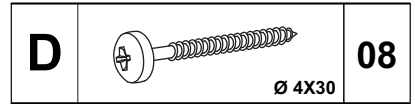
RUSTIC
OUTSIDE



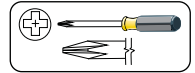
ATTENTION
HOLES



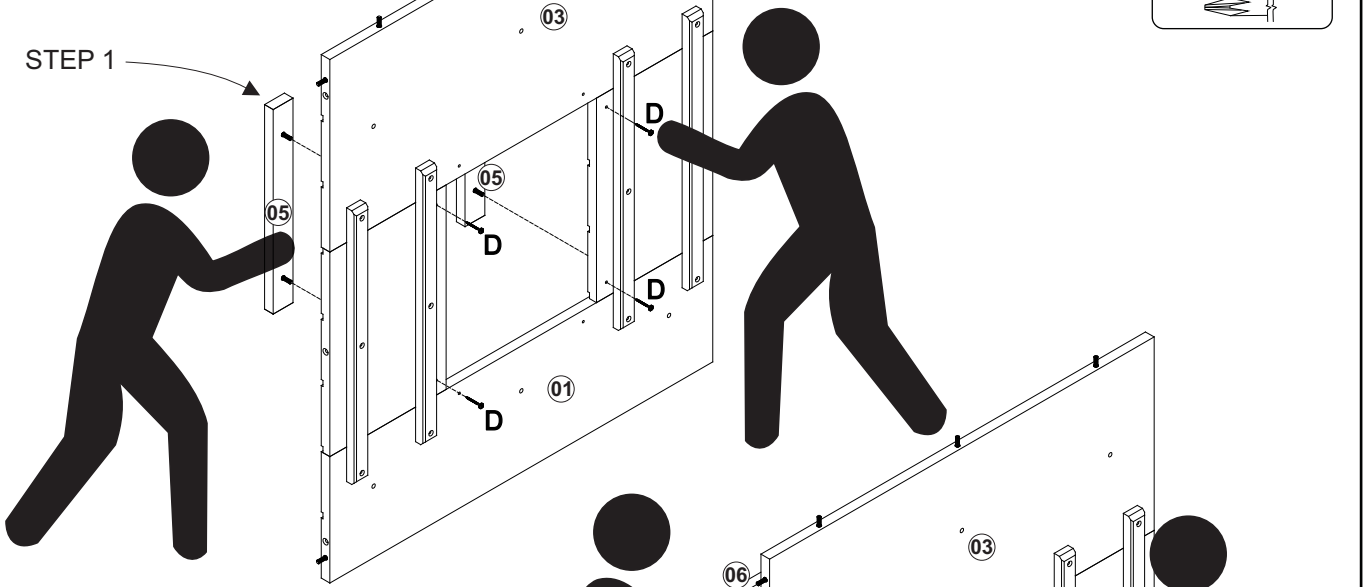
03



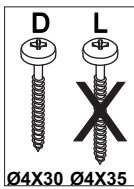
Ø 4X30



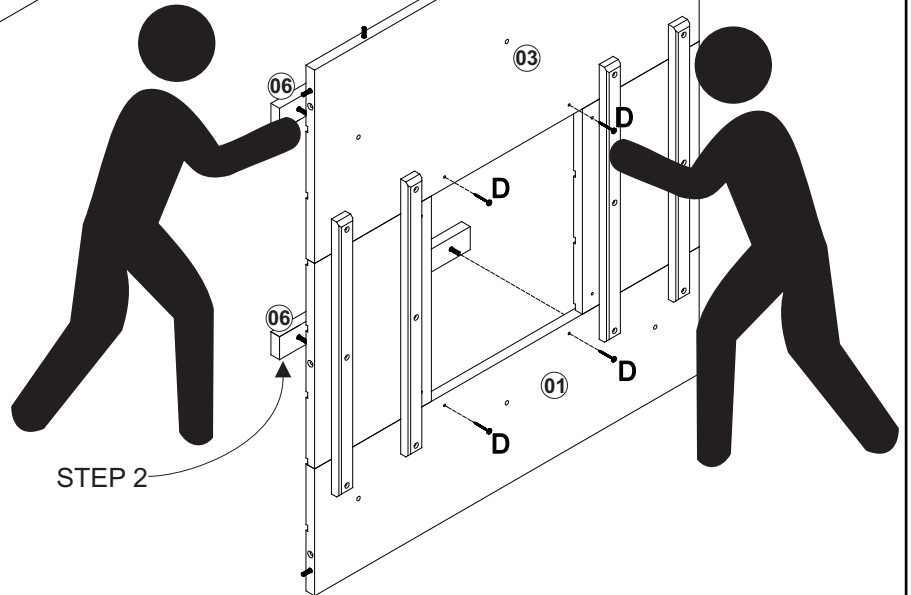
STEP 1



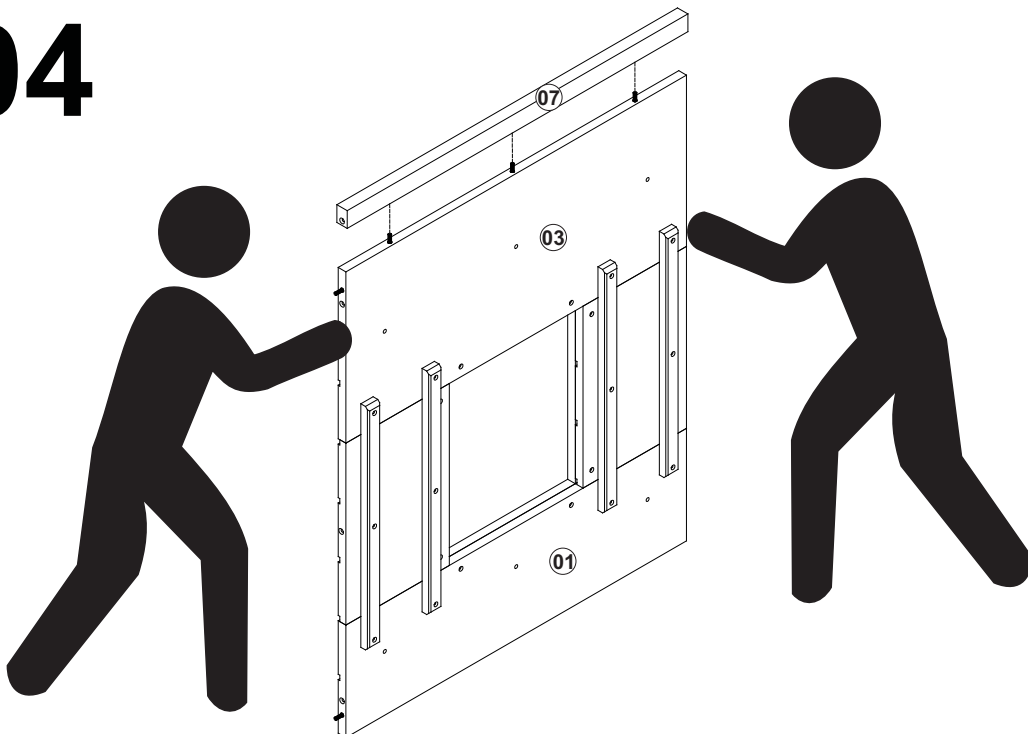
SCREW



STEP 2



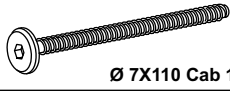

04

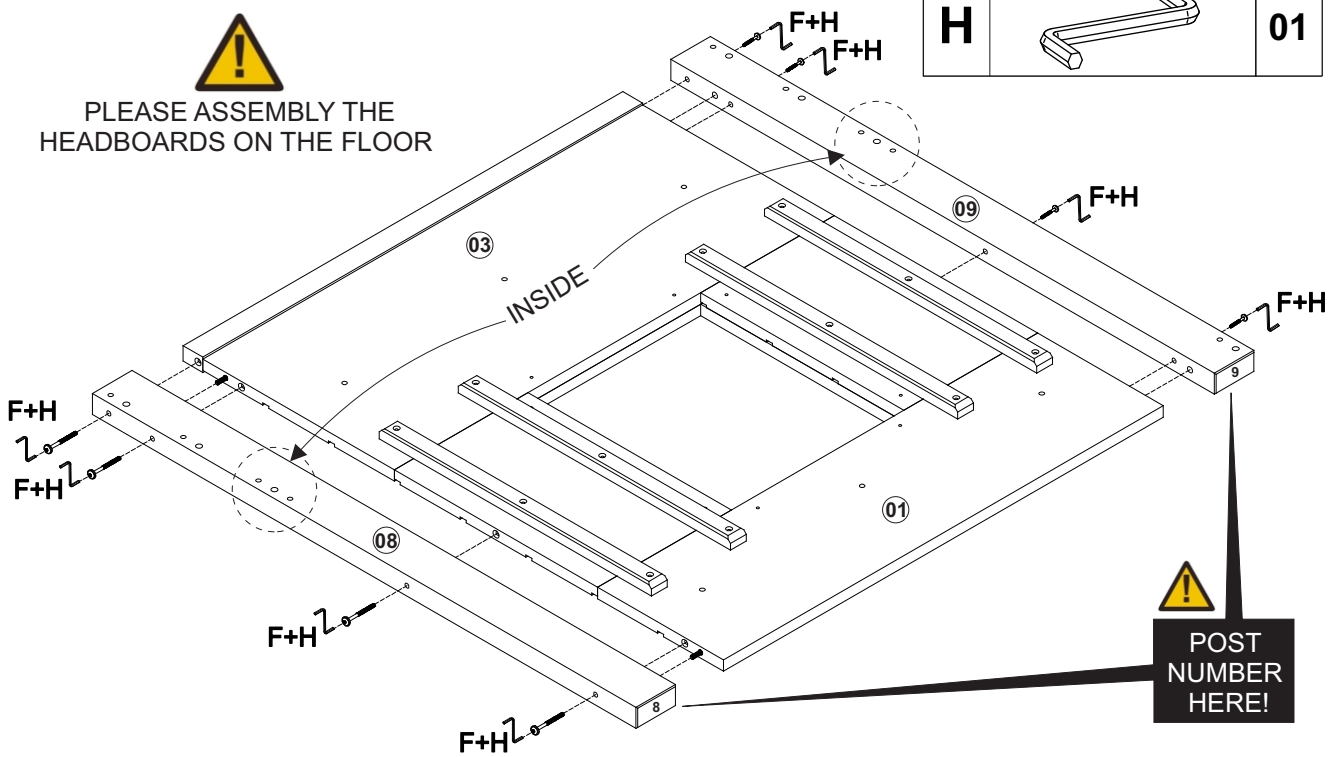


05

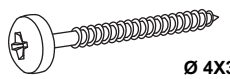


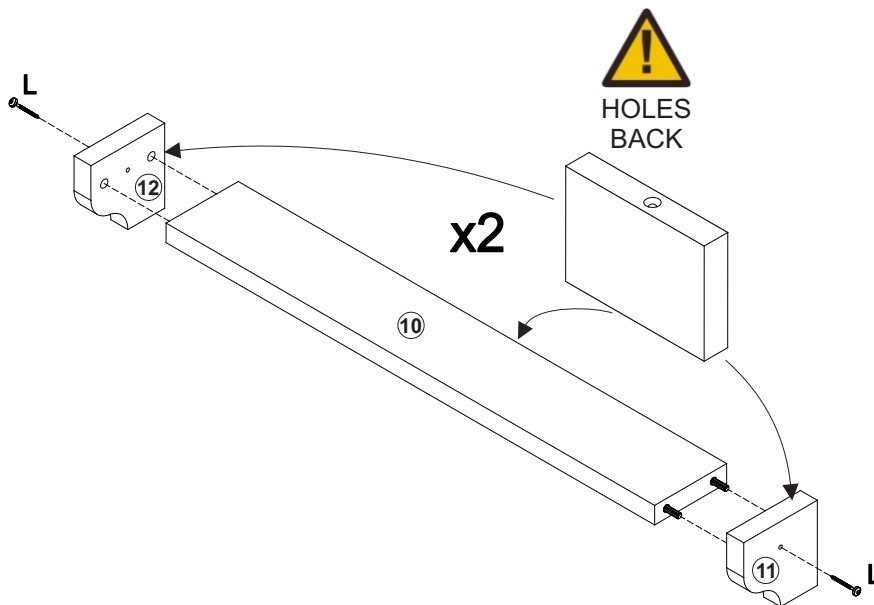
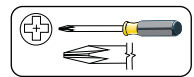
PLEASE ASSEMBLY THE HEADBOARDS ON THE FLOOR

F	 Ø 7X110 Cab 17	08
H		01

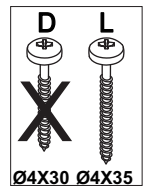


06 SHELVES

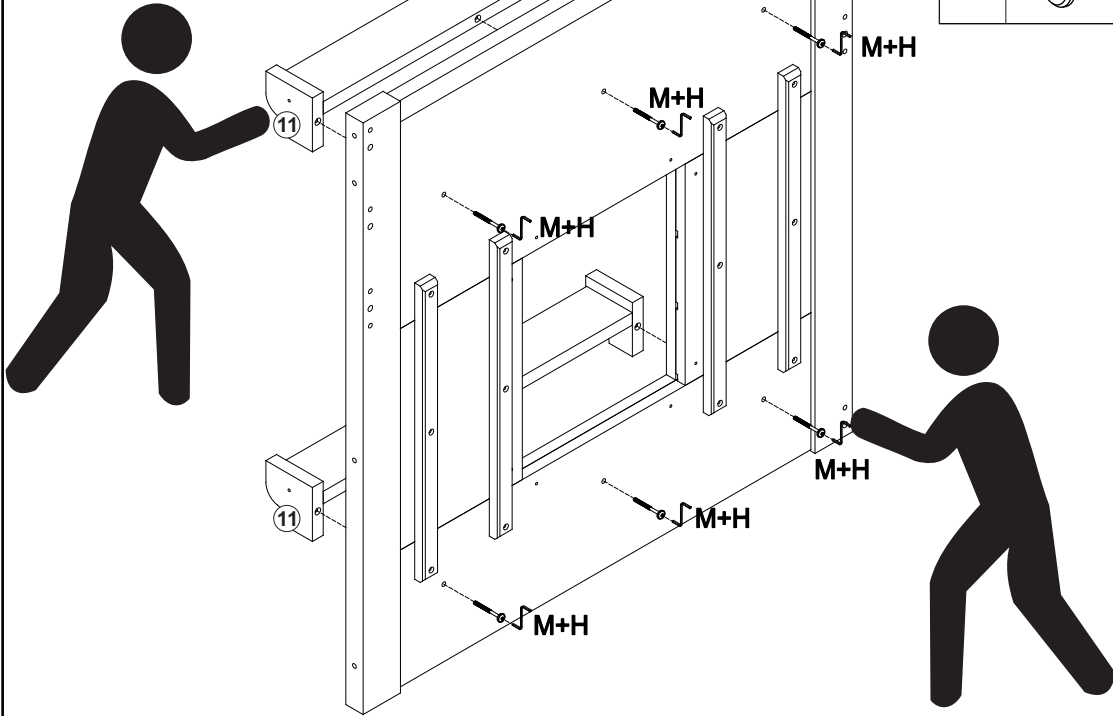
L	 Ø 4X35	04
---	---	----

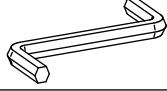



SCREW

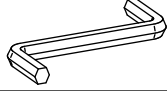



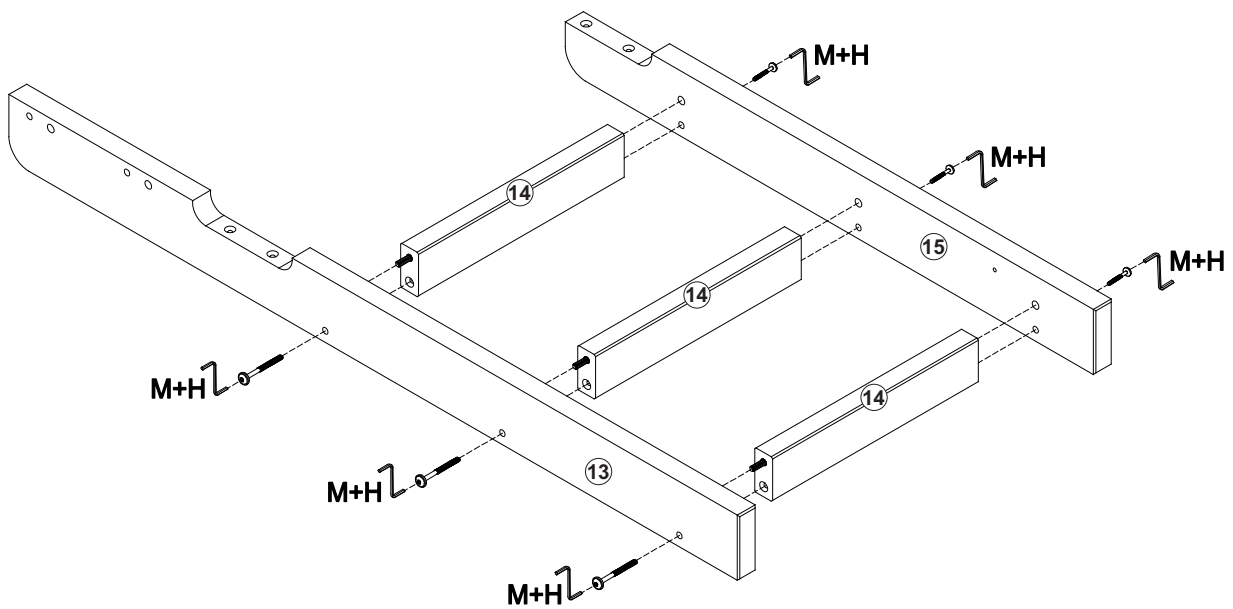
07



H		01
M	 Ø 7X60 Cab 17	06

08 LADDER

H		01
M	 Ø 7X60 Cab 17	06





09

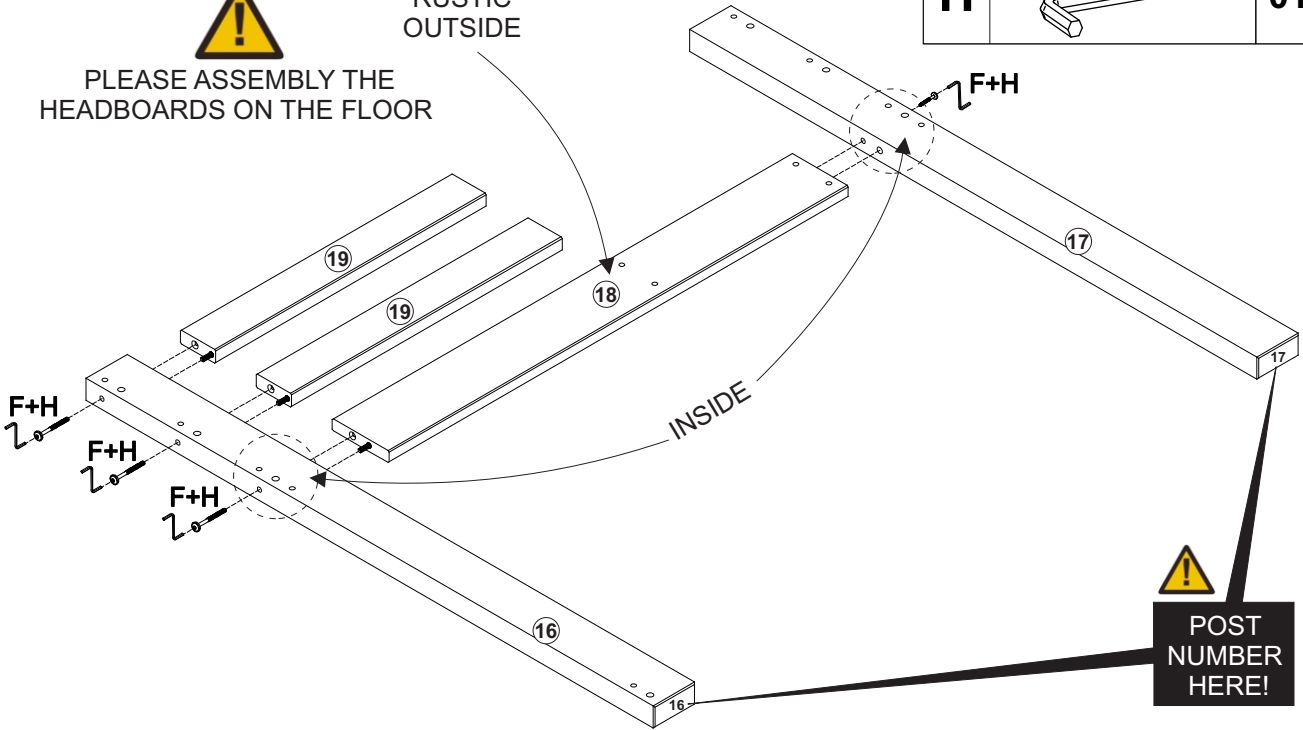


RUSTIC
OUTSIDE



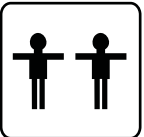
PLEASE ASSEMBLY THE
HEADBOARDS ON THE FLOOR

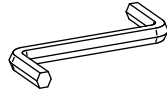
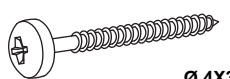
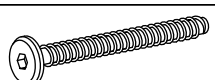
F	 Ø 7X110 Cab 17	04
H		01

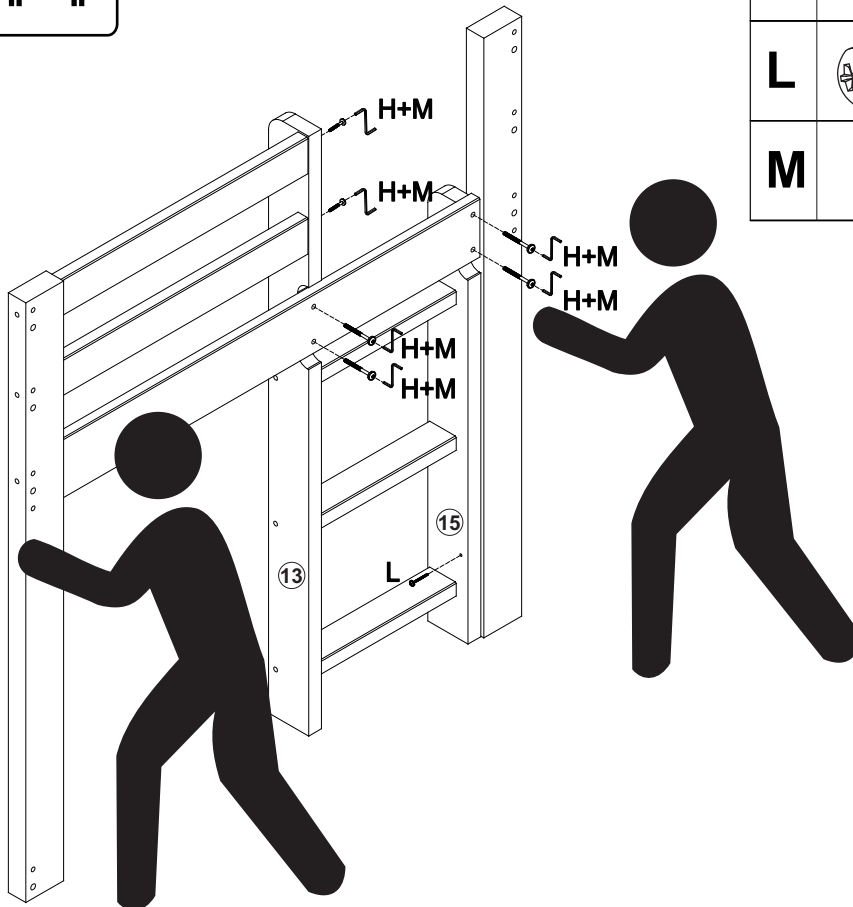
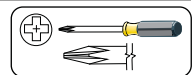


POST
NUMBER
HERE!

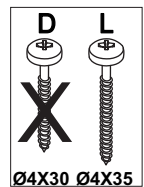
10



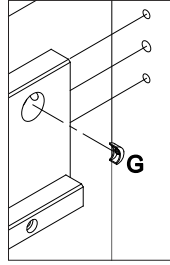
H		01
L	 Ø 4X35	01
M	 Ø 7X60 Cab 17	06

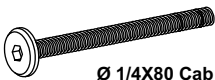





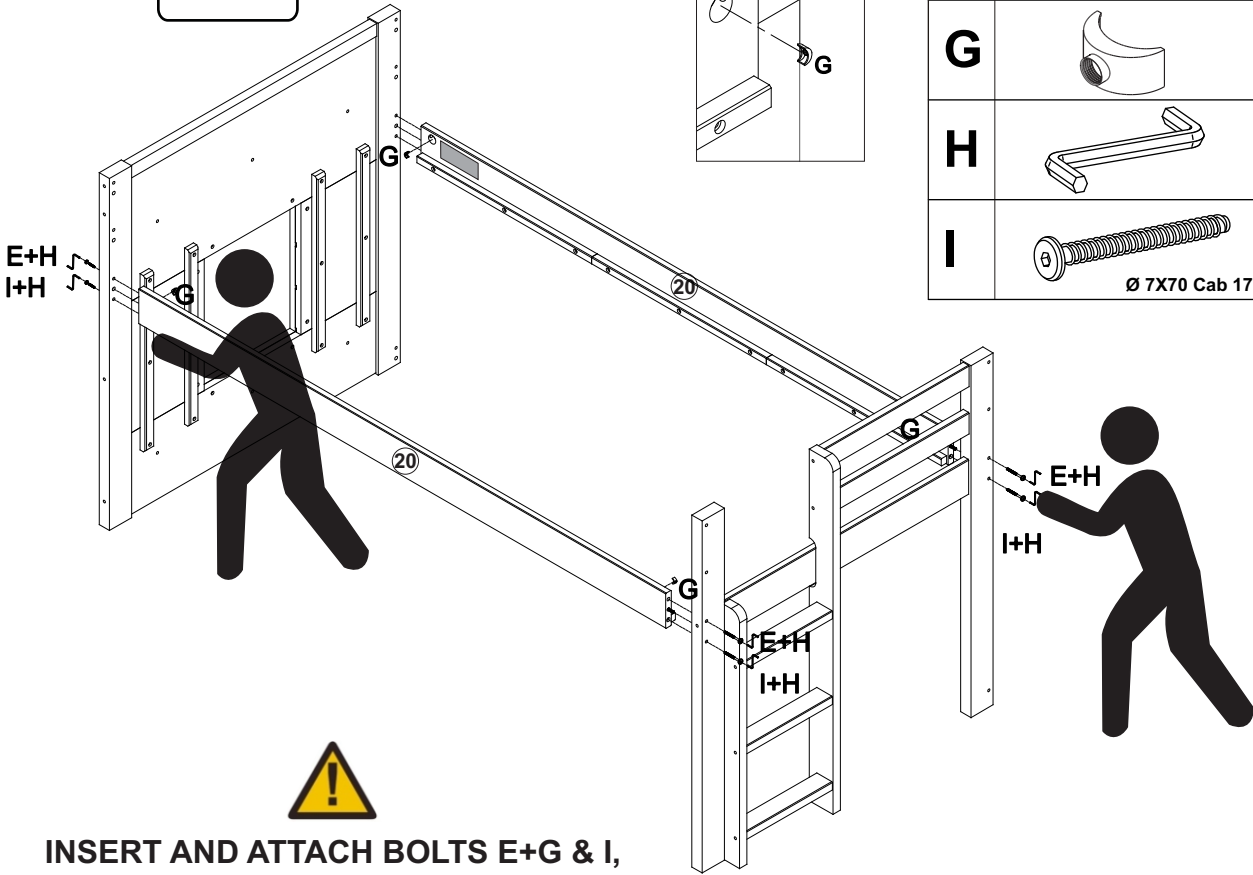
SCREW



11




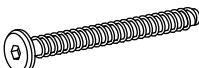
E	 Ø 1/4X80 Cab 17	04
G		04
H		01
I	 Ø 7X70 Cab 17	04

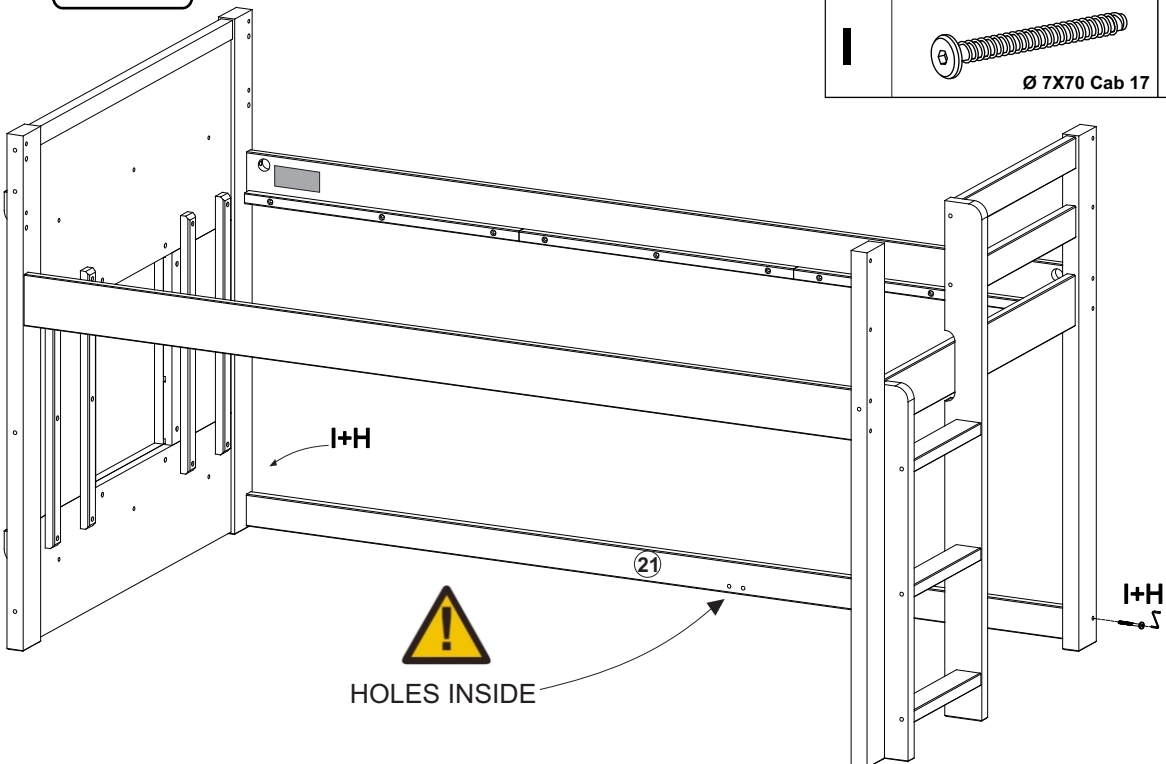


**INSERT AND ATTACH BOLTS E+G & I,
BUT DO NOT TIGHTEN UNTIL STEP #14**

12



H		01
I	 Ø 7X70 Cab 17	02

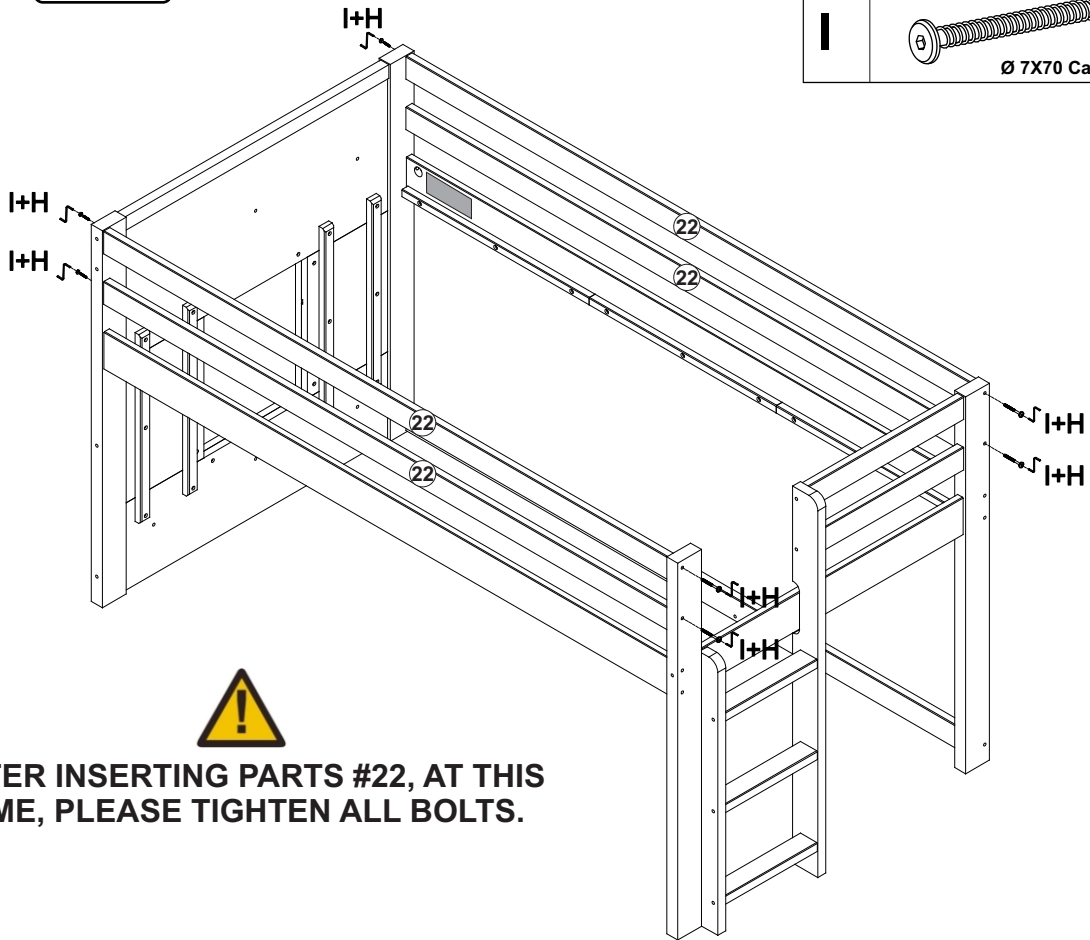


HOLES INSIDE

13



H		01
I	 Ø 7X70 Cab 17	08



AFTER INSERTING PARTS #22, AT THIS TIME, PLEASE TIGHTEN ALL BOLTS.

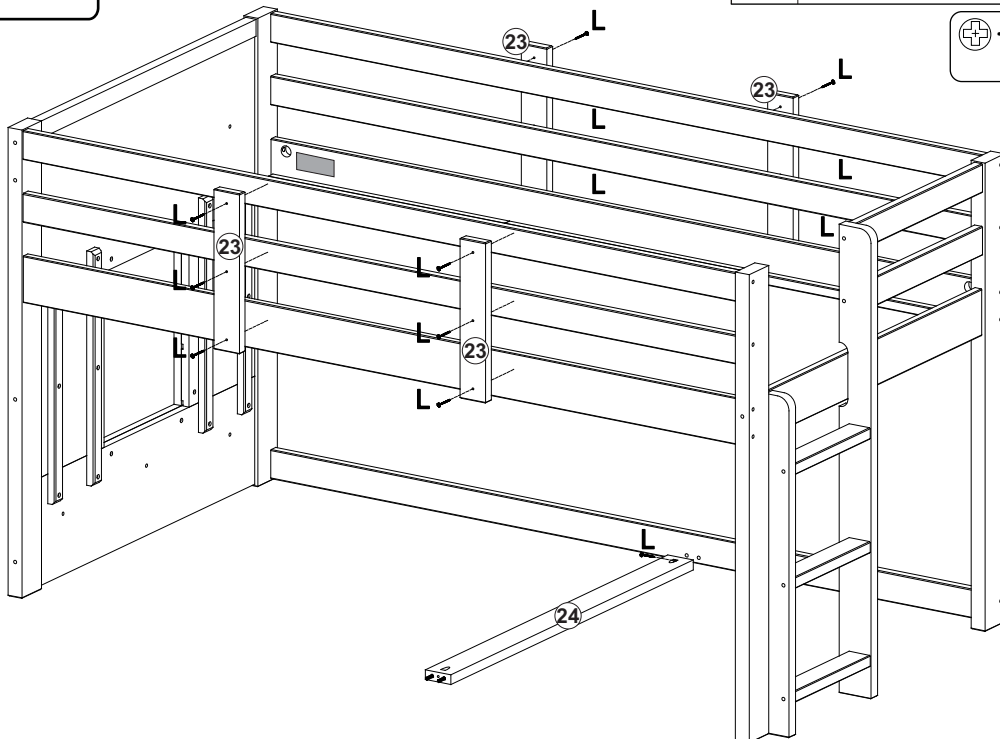
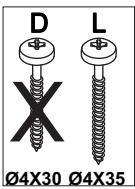
14



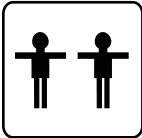
L	 Ø 4X35	13
---	------------	----



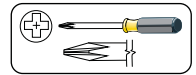
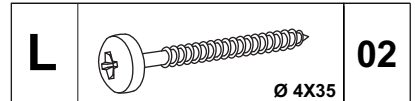
SCREW



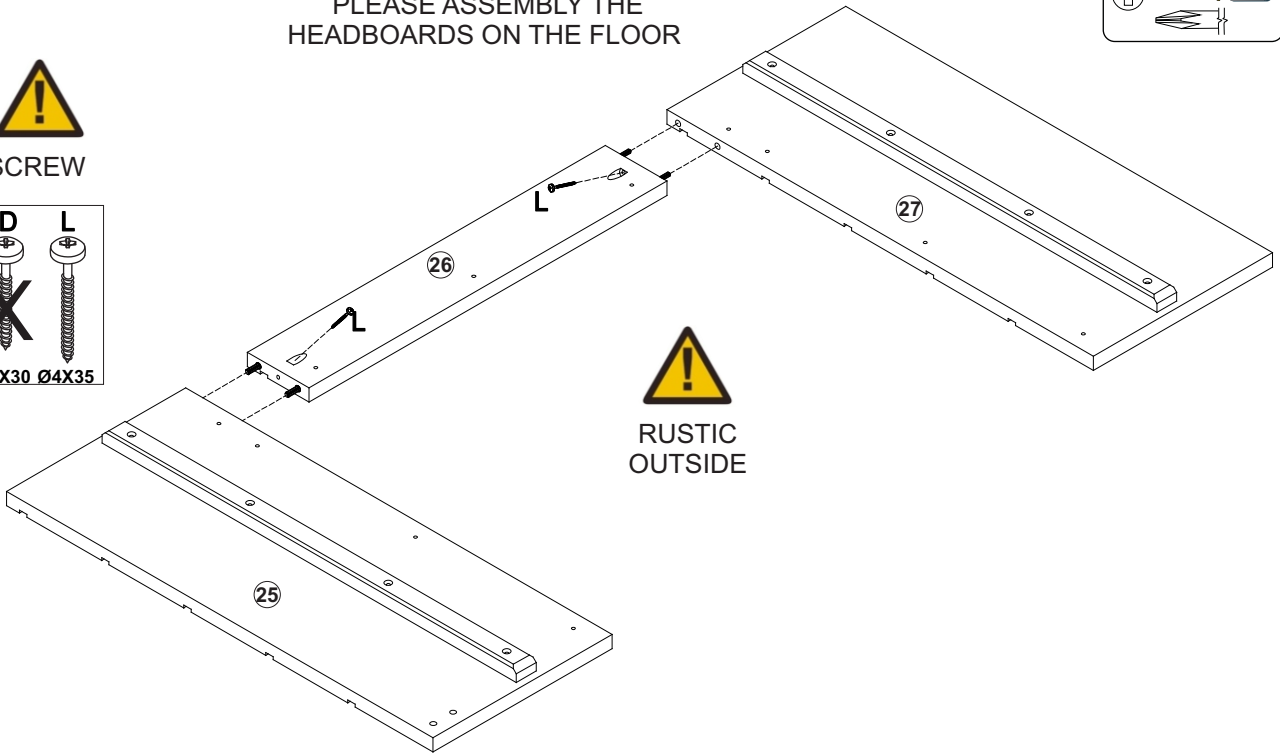
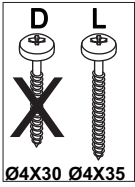
15



PLEASE ASSEMBLY THE HEADBOARDS ON THE FLOOR



SCREW

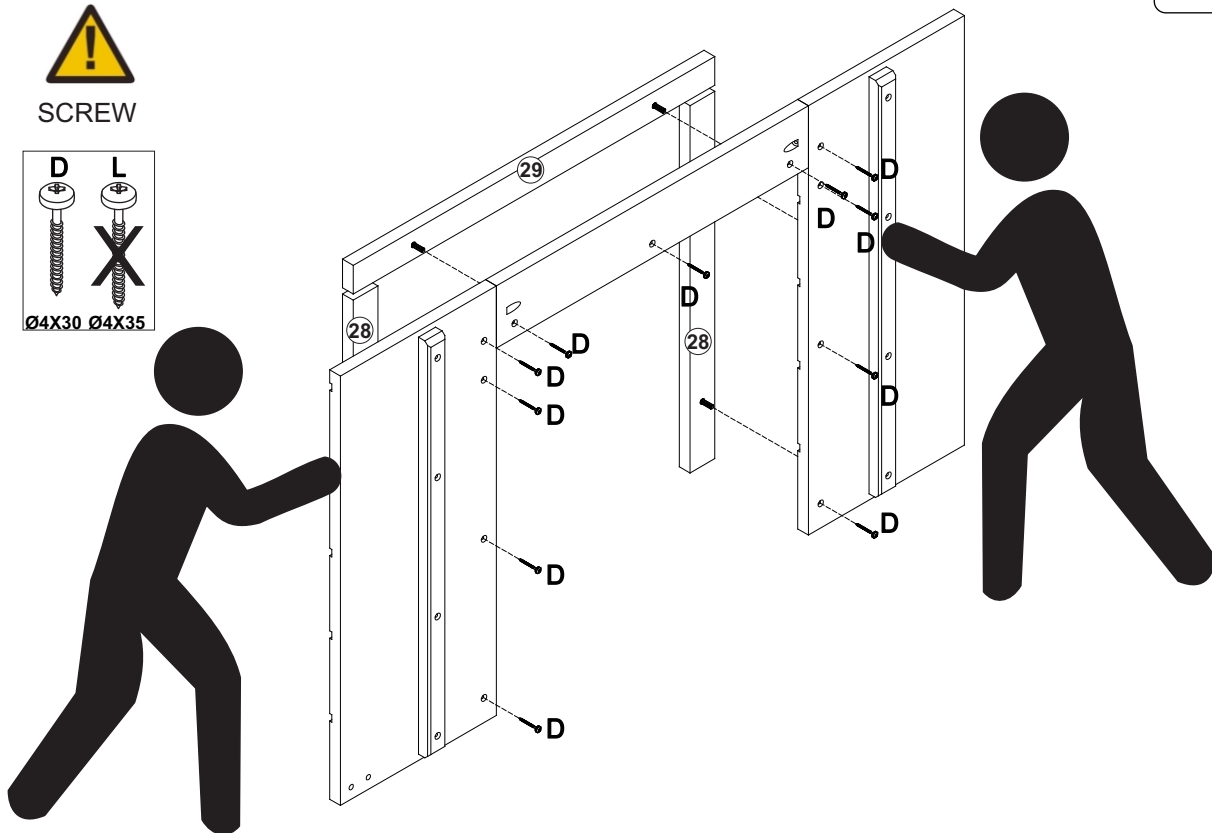
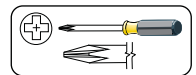
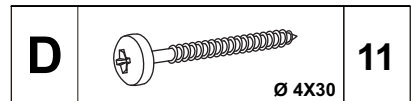
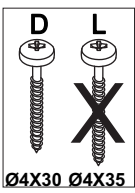


RUSTIC
OUTSIDE

16

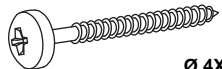


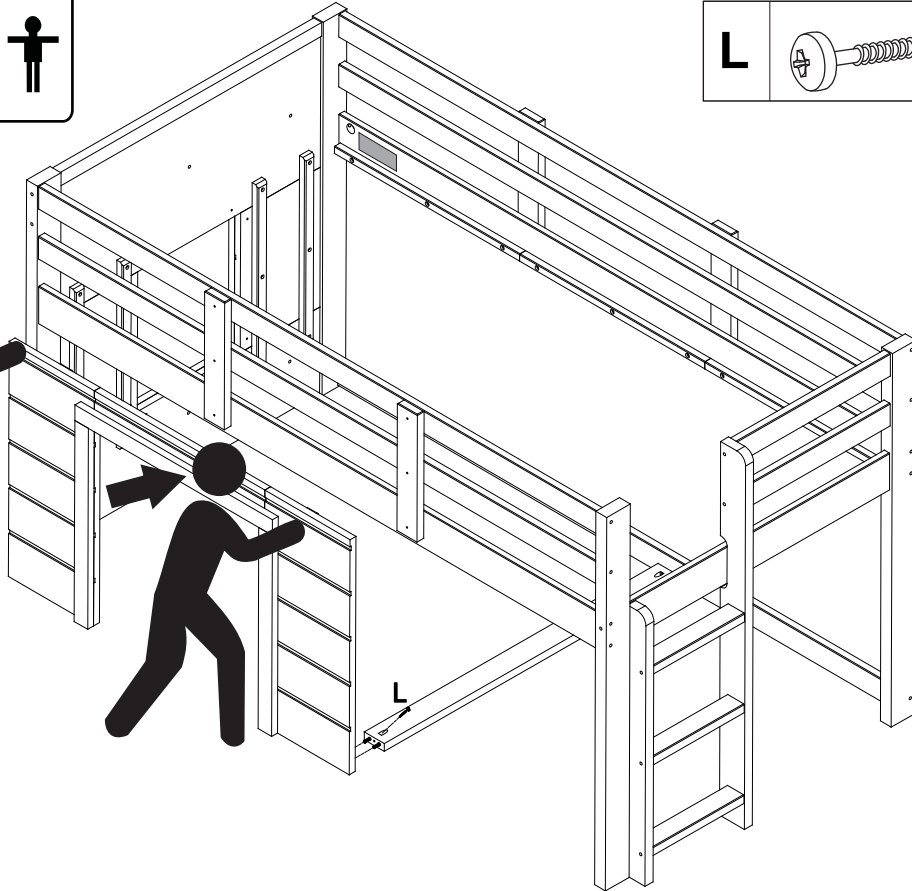
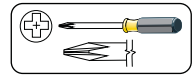
SCREW



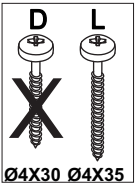
17



L		01
Ø 4X35		



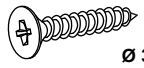

SCREW

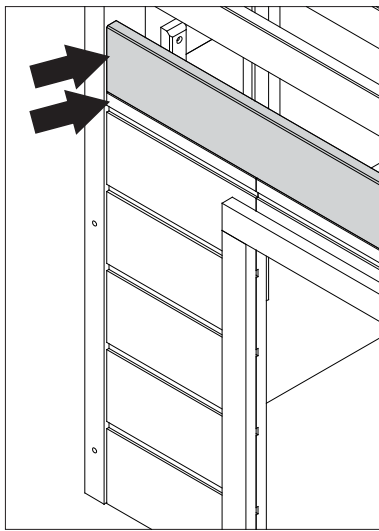
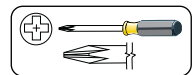


Ø4X30 Ø4X35

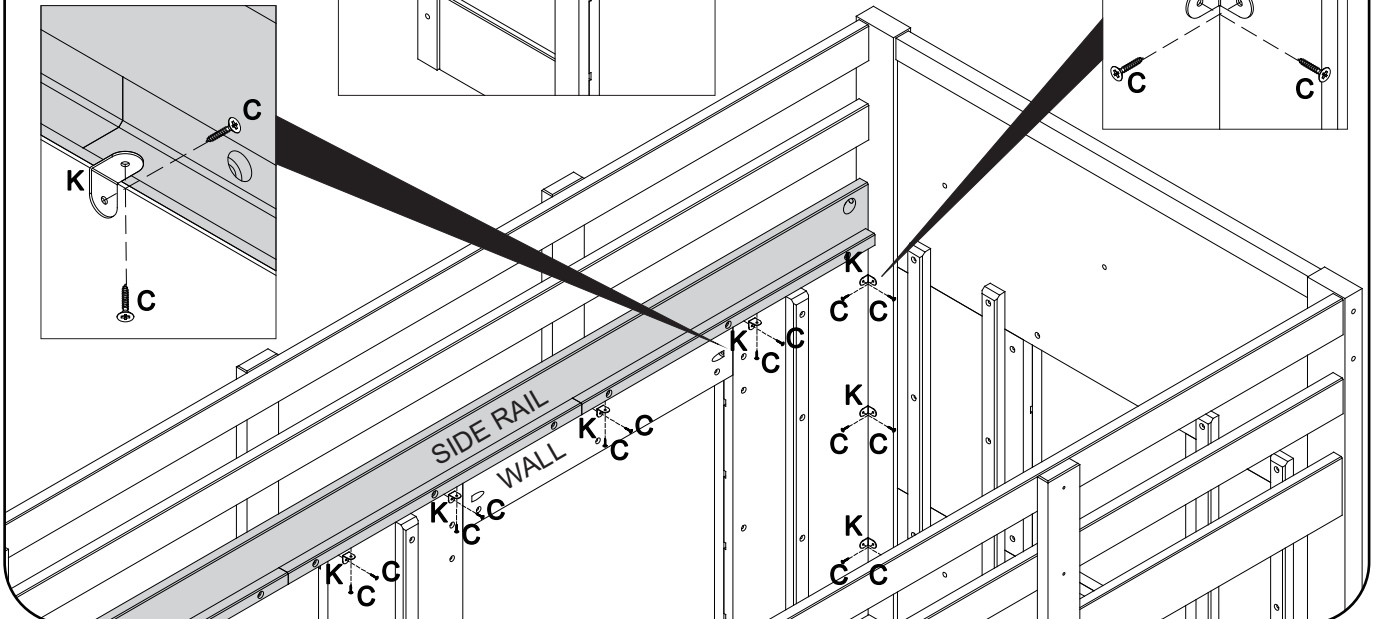
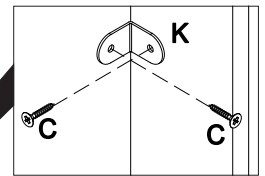
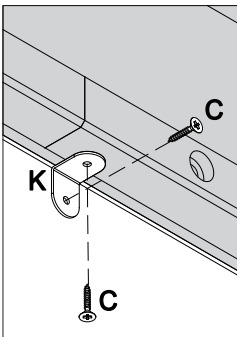
18



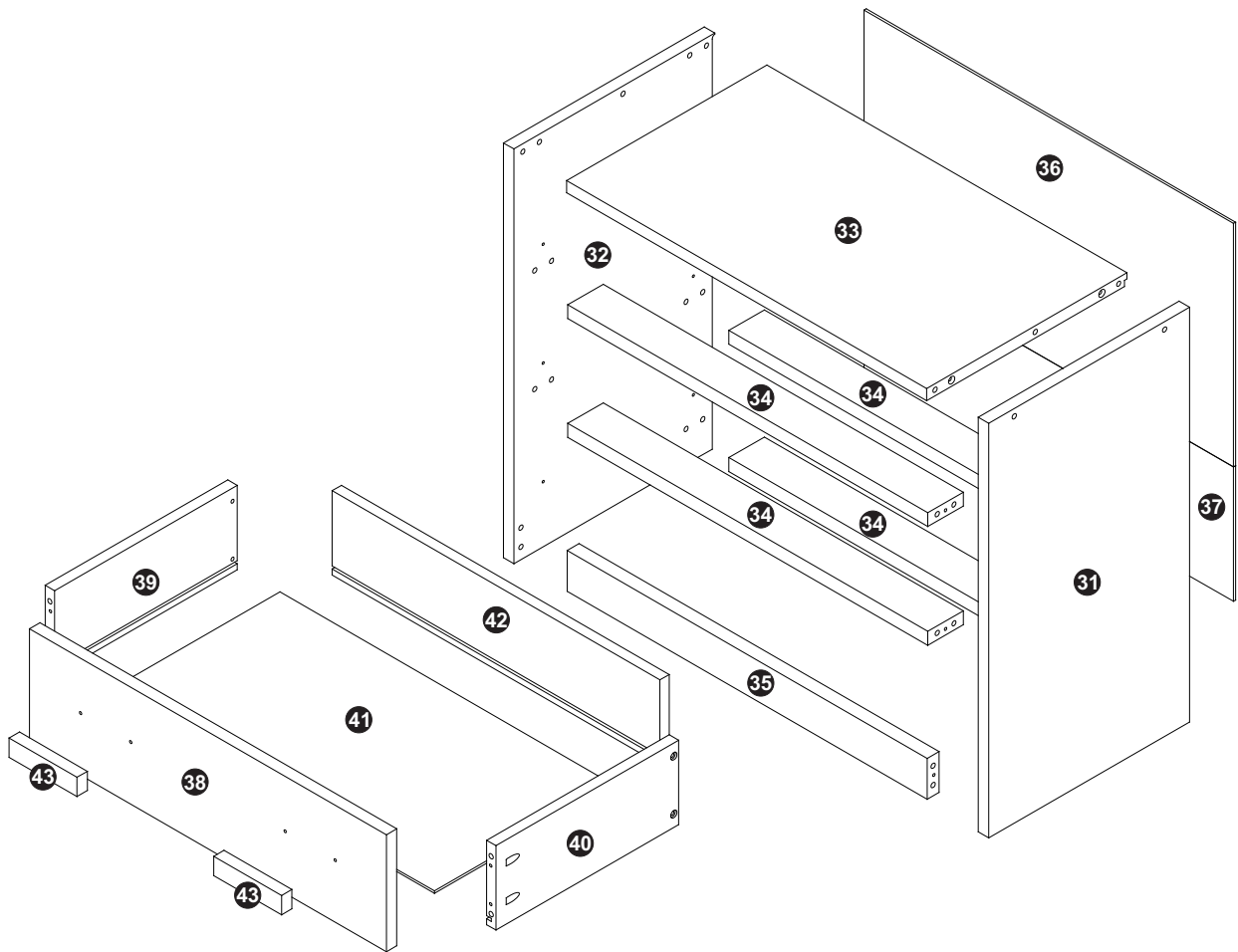
C		14
Ø 3,5X16		
K		07



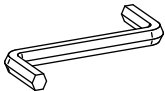
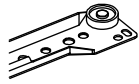
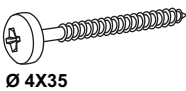
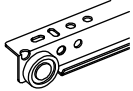
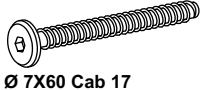
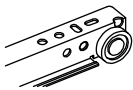


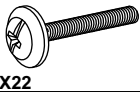
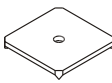
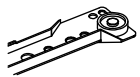

THE WALL NEEDS TO BE UNDER AND ON THE SAME LINE OF THE SIDE RAIL



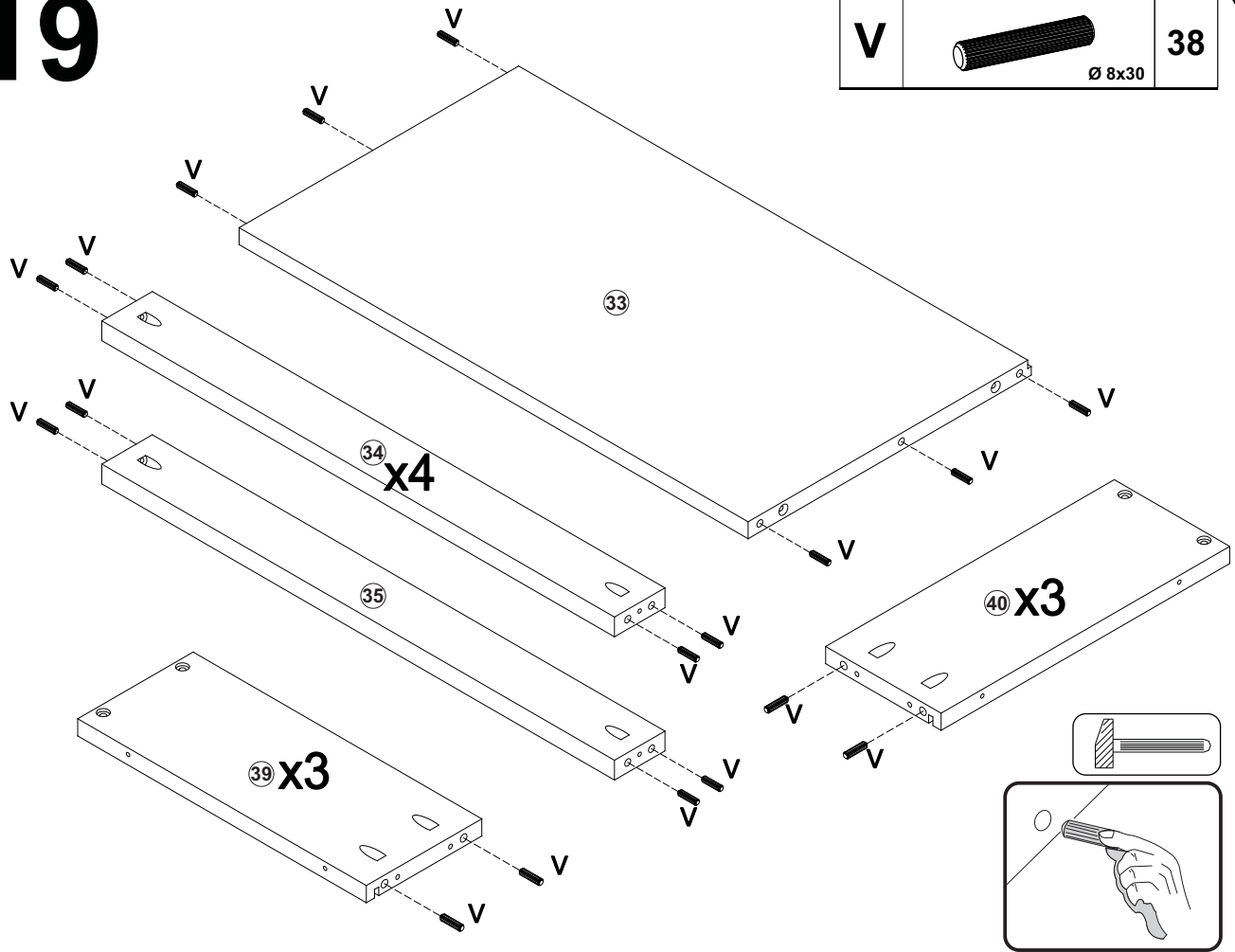
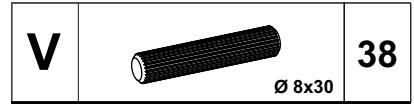
Part List - 1830 - CHEST 3 DRAWERS LOW LOFT



Identifying the Hardware-Identify the hardware using the illustrations below.

H		01	Q		03
L	 Ø 4X35	34	R		03
M	 Ø 7X60 Cab 17	04	S		03
N	 Ø 6X10	24	T		23
O	 Ø 4X22	12	U		03
P		03	V	 Ø 8X30	38

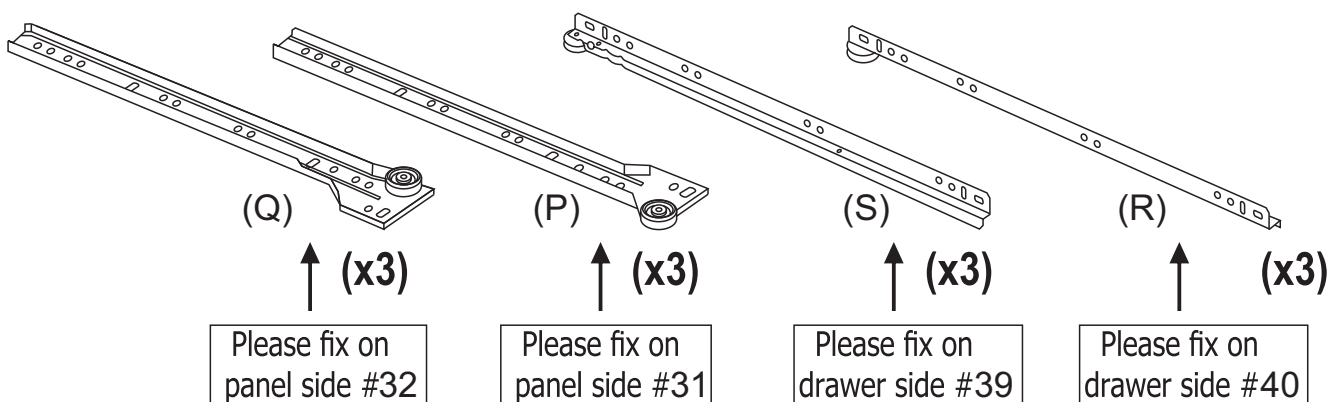
19




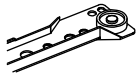
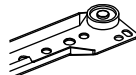
SET OF METAL SLIDES FOR THE DRAWERS

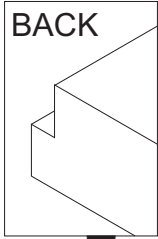
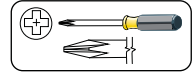
The metal glides hardware are all in one packed. Please separate the left and right pieces like a pair.

- The glides # P # Q are used on chest panel side and has a left and right pieces.
- The glides # R # S are used on drawers side, also has a left and right pieces.

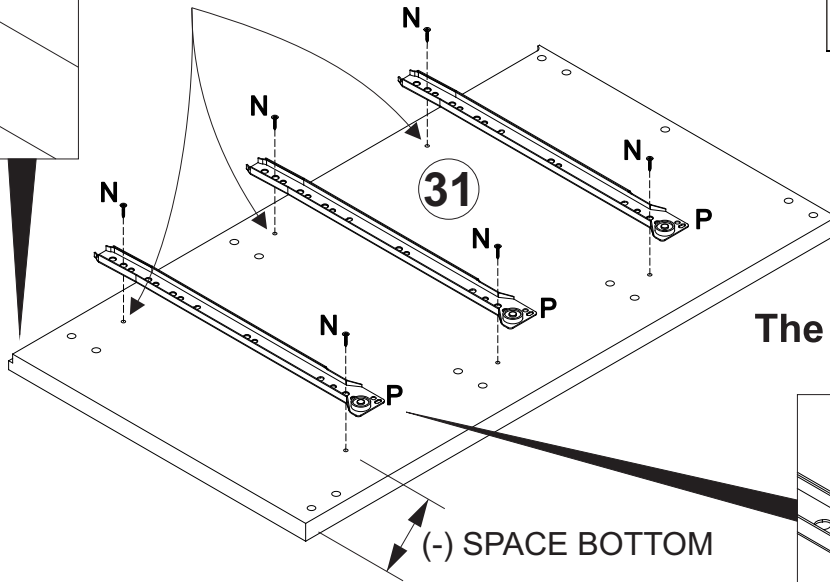


20

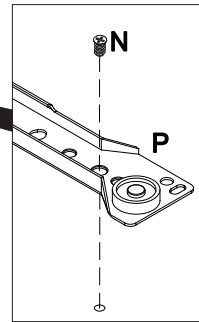
N	 Ø 6x10	12
P		03
Q		03



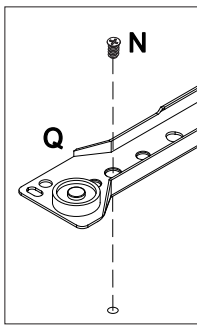
PRE-HOLES




The wheel to the front !

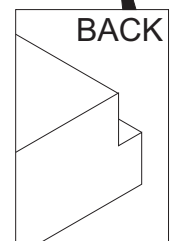
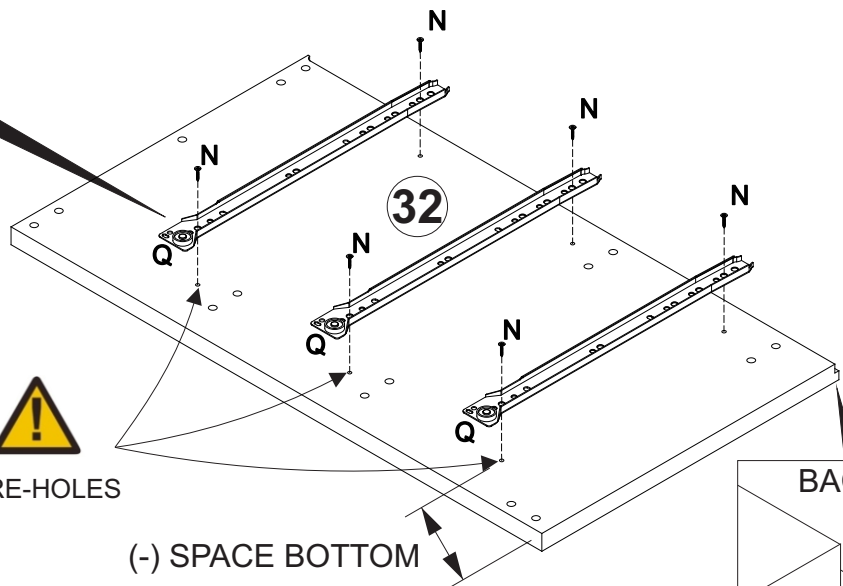



The wheel to the front !

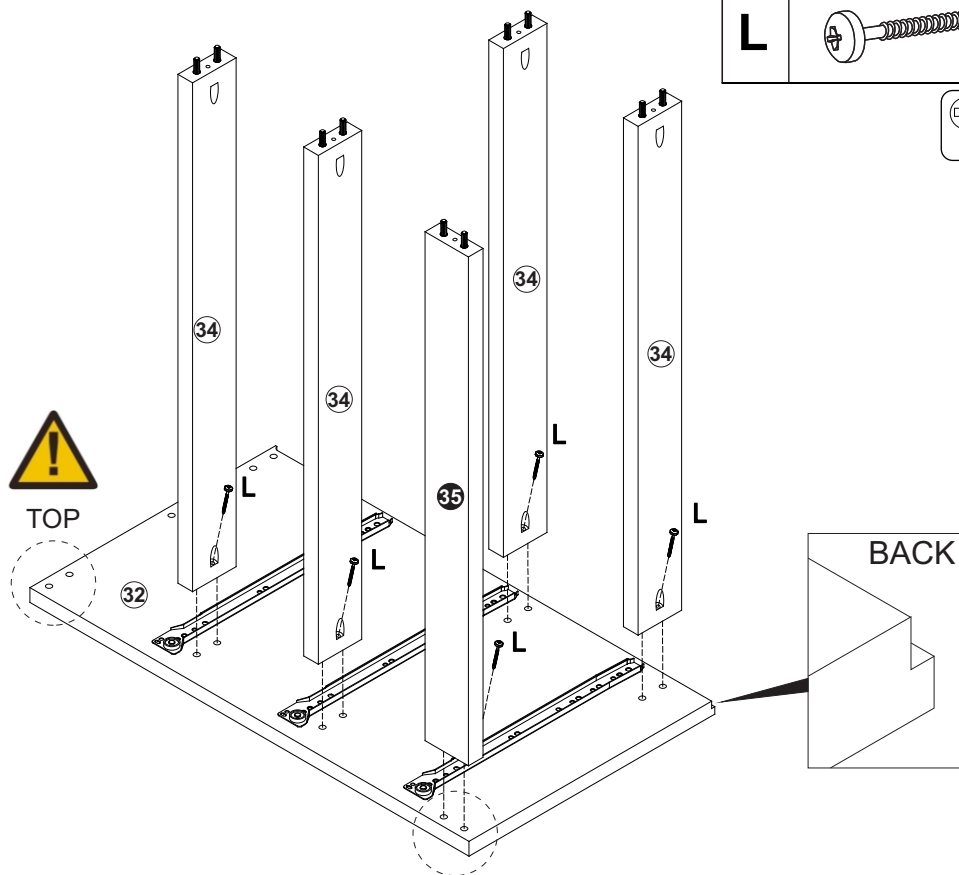



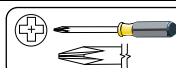
PRE-HOLES

(-) SPACE BOTTOM

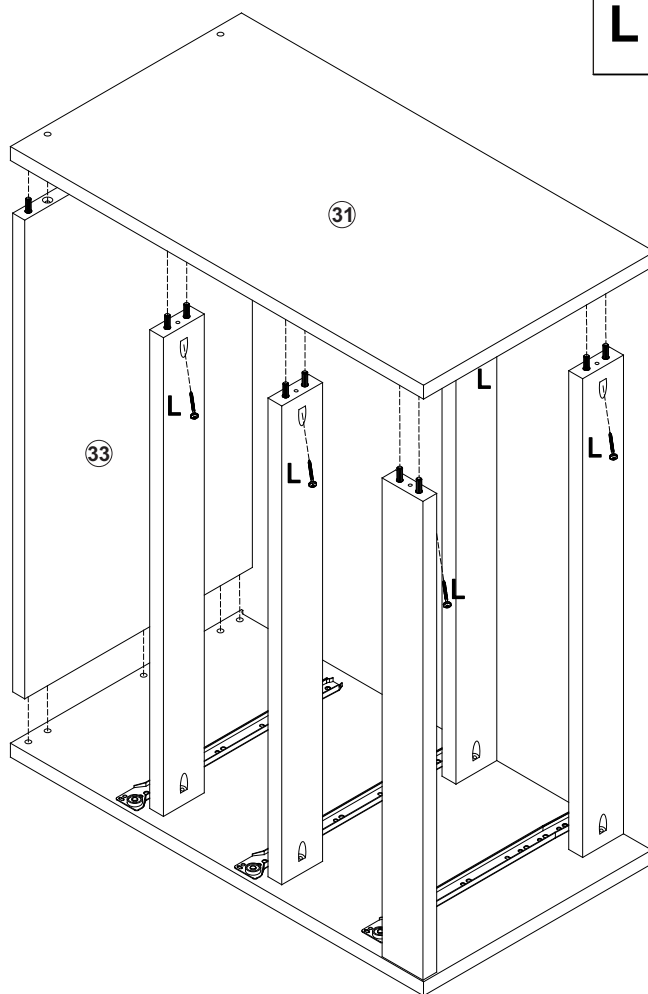



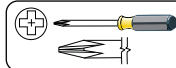
21



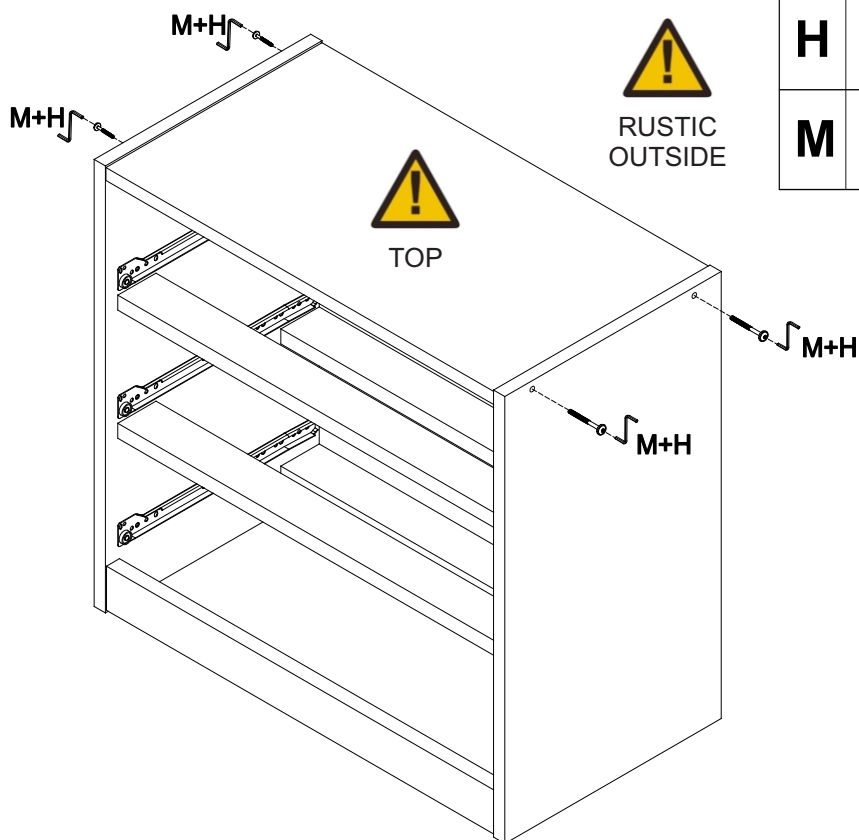
L		05
$\varnothing 4 \times 35$		
		



22



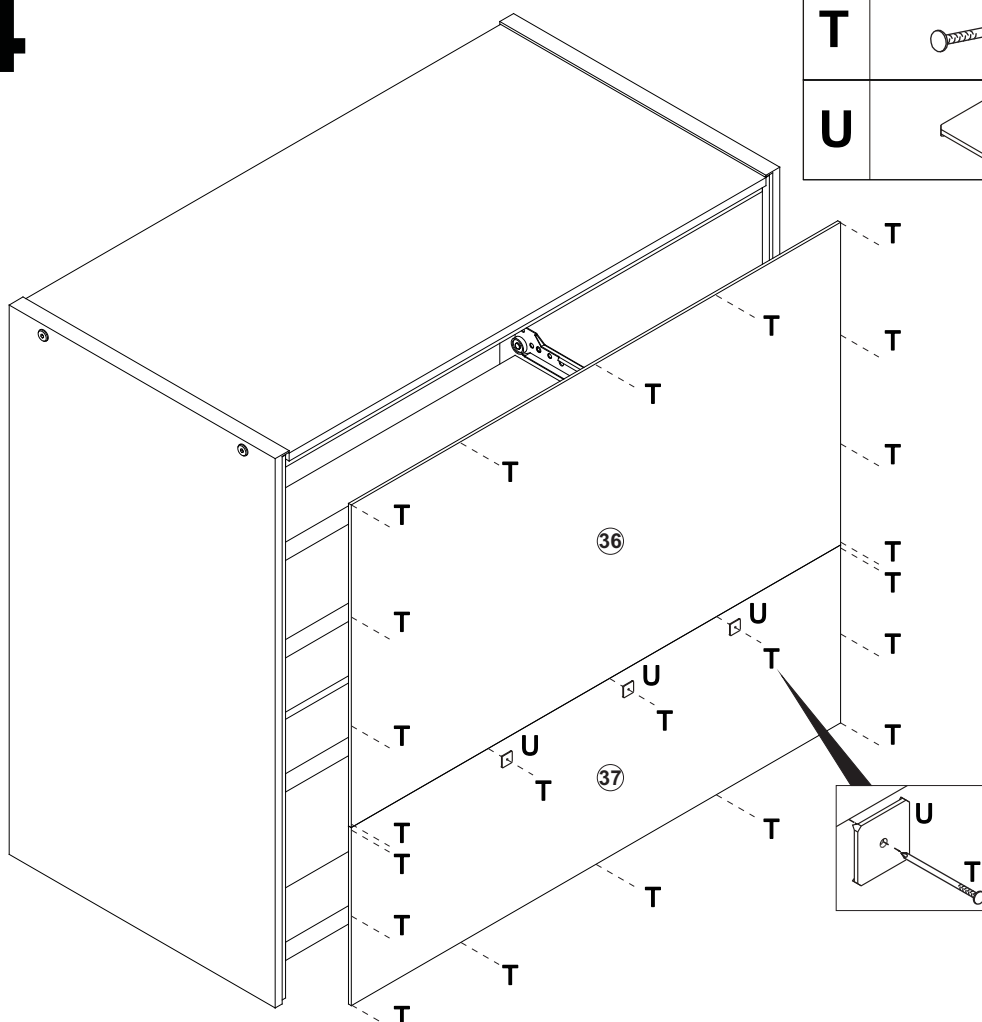
L		05
$\varnothing 4 \times 35$		
		

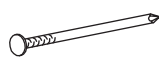
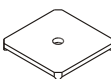
23



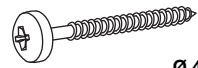
H		01
M	 Ø 7X60 Cab 17	04

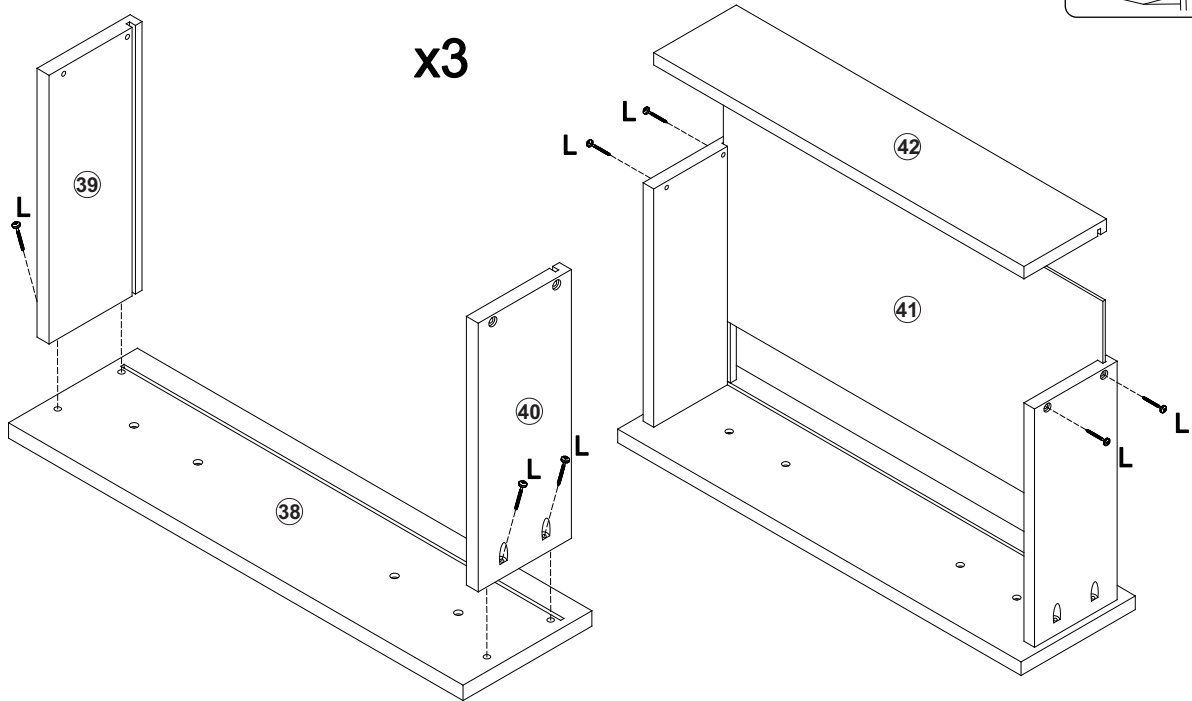
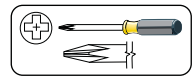
24



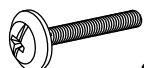
T		23
U		03

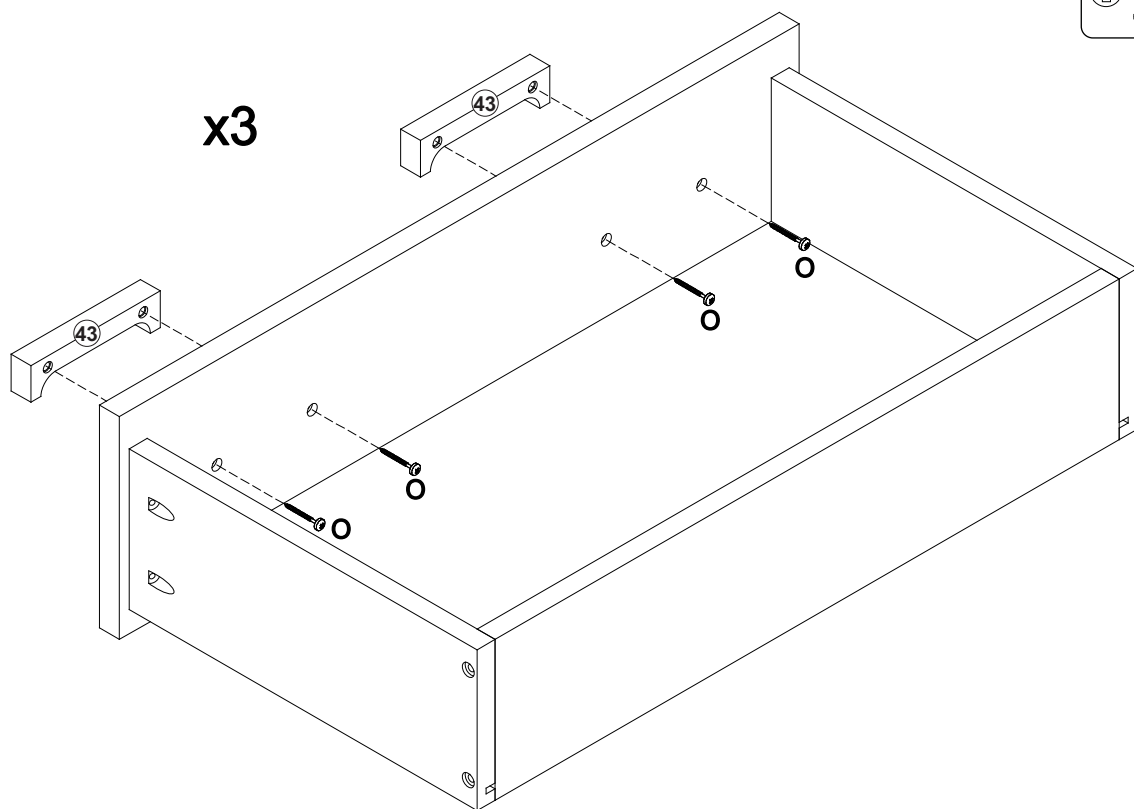
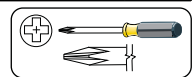
25

L		24
		Ø 4X35

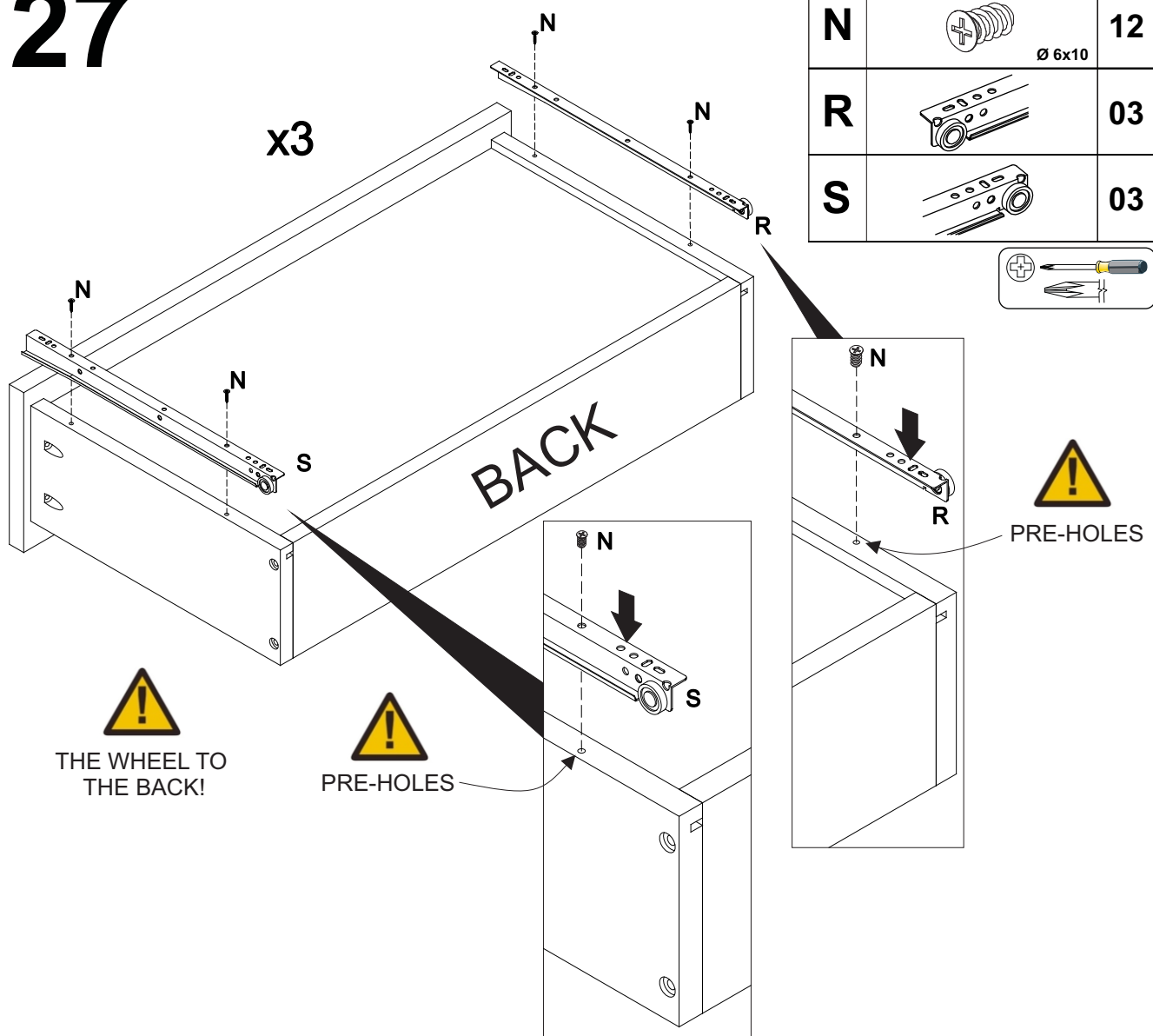


26

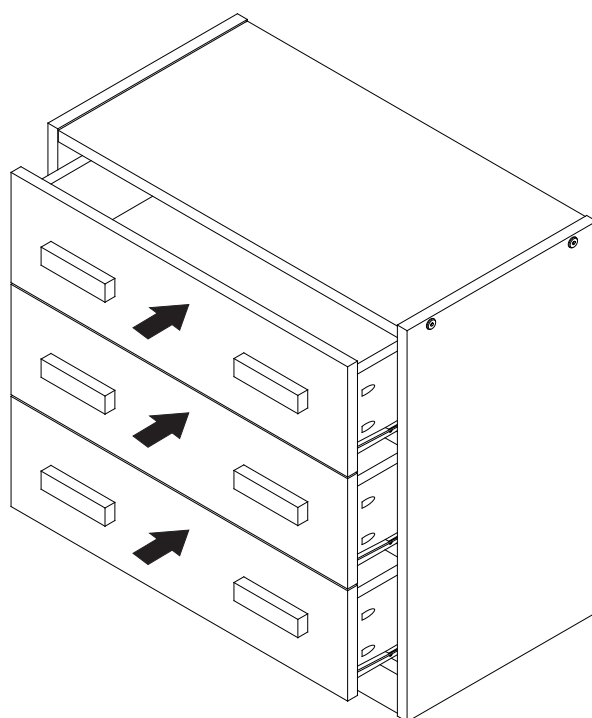
O		12
		Ø 4X22



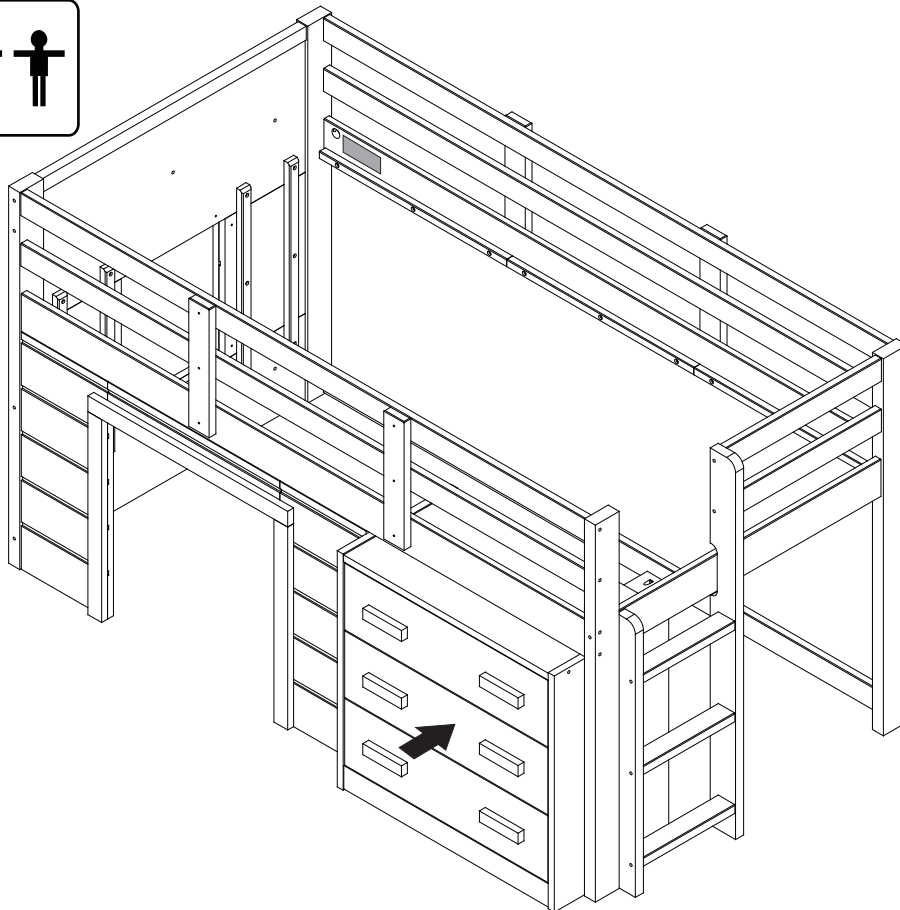
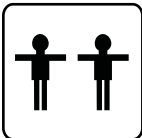
27



28



29



30



ATTENTION

THERE MUST BE A LEAST 5" INCHES FROM TOP SURFACE OF MATTRESS TO TOP EDGE OR GUARDRAILS.

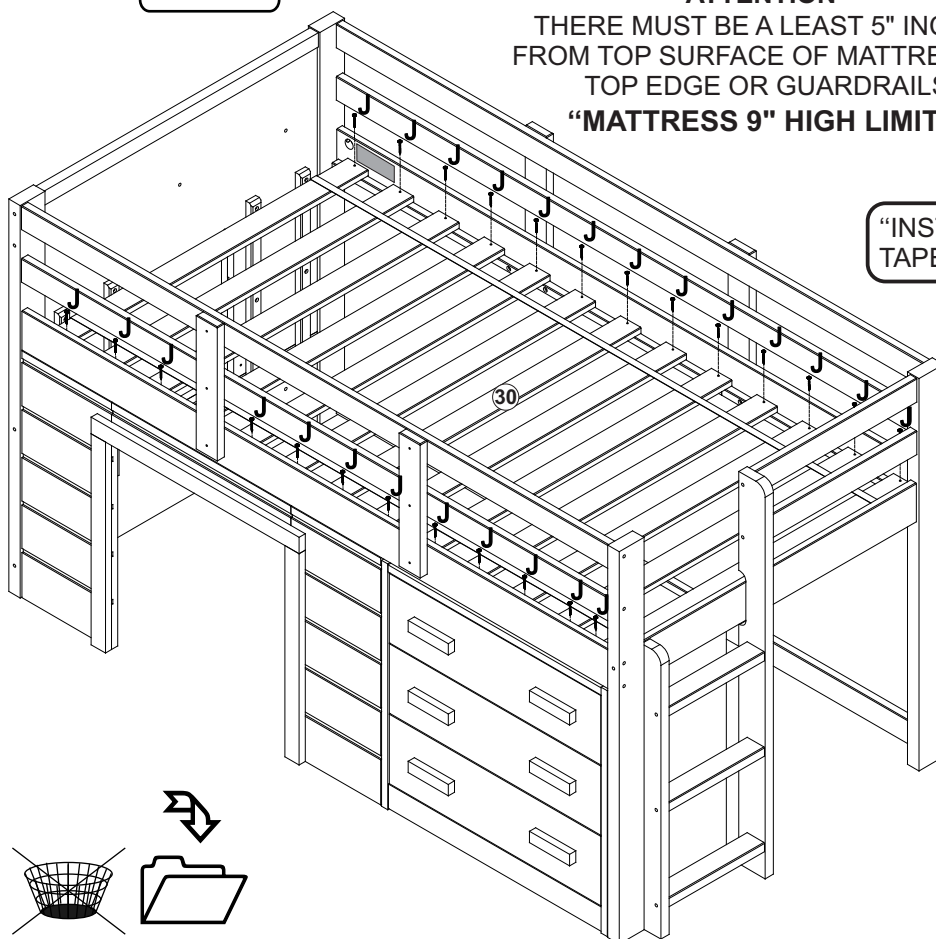
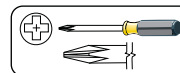
"MATTRESS 9" HIGH LIMITED"

J



26

Ø 4X30



"INSTALL SLAT KIT WITH SPACER TAPE ON TOP (FACING UP)"

