

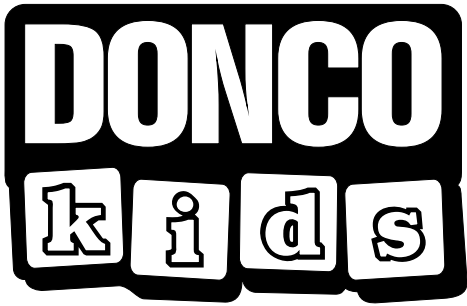
About the Wood and Finish

This product has been carefully crafted of: MDF, solid pine wood and/or pine veneers. These materials derive from plantations, a renewable and well managed forest, therefore, not endangering the environment. The highest quality standards have been implemented to assure a sturdy and reliable product. Due to the natural variances in the graining of wood, you may notice subtle differences in the shading and tone of the color stain, warp, holes, wood knots and also small cracks. This is not a defect. But rather a result of the natural beauty of the wood itself.

Care and maintenance:

Dust when needed using a smooth, dry cloth. Household furniture polish can be used occasionally to restore luster.

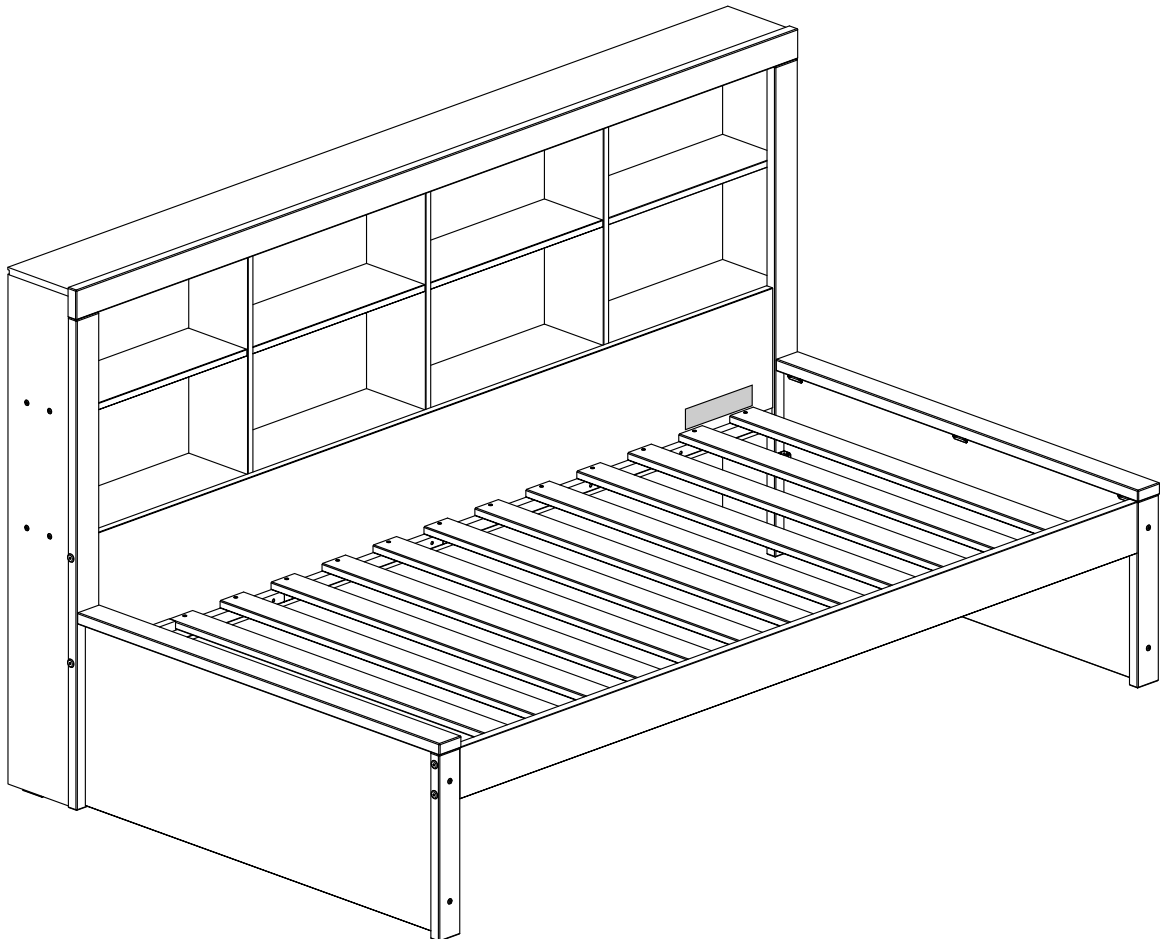




Fort Worth, Texas 76140

ASSEMBLY INSTRUCTIONS

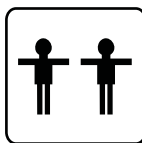
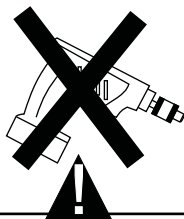
1733T - Bookcase Day Bed Twin



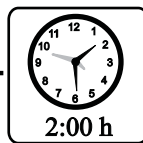
Thank you for purchasing this quality product. Be sure to check all packing material carefully for small parts which may have come loose inside the carton during shipment. Separate identify and count all parts and hardware.

Compare with the parts list to be sure all parts are present.

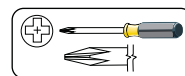
"DO NOT TIGHTEN SCREWS UNTIL COMPLETELY ASSEMBLED"



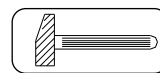
+



Tools Required



(Not included)



(Not included)

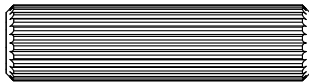
* Use of power tool to assemble this product will invalidate any claim and damage this product making unsafe !!!
* Please assemble on a clean soft surface to avoid damage.

IMPORTANT:

PLEASE READ INSTRUCTION BEFORE STARTING THE ASSEMBLY

Identifying the Hardware-Identify the hardware using the illustrations below.

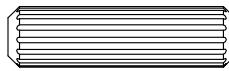
A



Qty
06

1 3/16" Wooden Dowel (10 x 40mm)

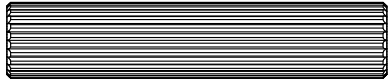
B



Qty
64

1 3/16" Wooden Dowel (8 x 30mm)

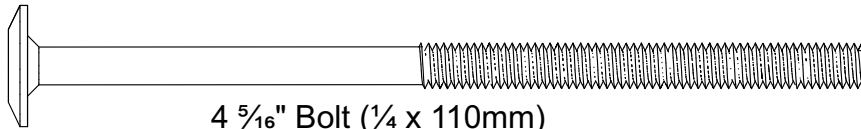
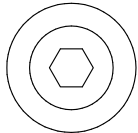
C



Qty
06

2" Wooden Dowel (8 x 50mm)

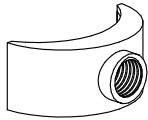
D



Qty
08

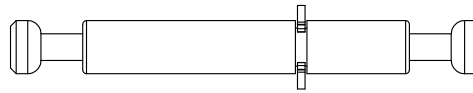
4 5/16" Bolt (1/4 x 110mm)

E



1/4"
Half
Moon
Qty
08

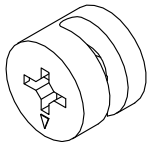
F



Qty
06

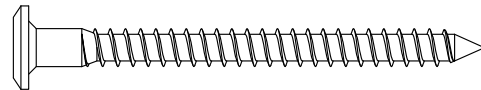
Cam Bolts

G



Cam
Lock
Qty
12

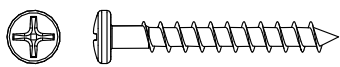
H



Qty
22

2 3/8" Bolt (5 x 60mm)

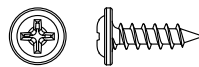
I



Qty
26

1 3/16" Screw (4 x 30mm)

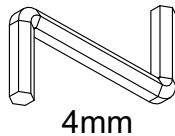
J



Qty
116

1 5/32" Screw (3.5 x 12mm)

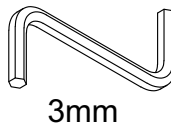
K



Large
Allen
wrench
Qty
01

4mm

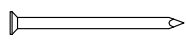
L



Small
Allen
wrench
Qty
01

3mm

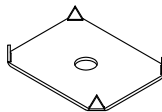
M



Qty
35

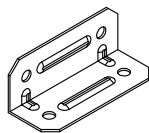
Nail (Anelado)

N



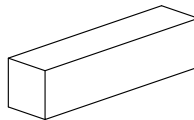
Metal
Plate
Qty
11

O



L-Bracket
46x18mm
Qty
29

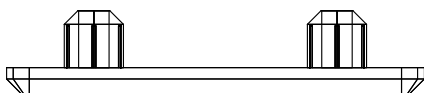
P



Wooden
spacer
Qty
02

2 15/16" (75 mm)

Q



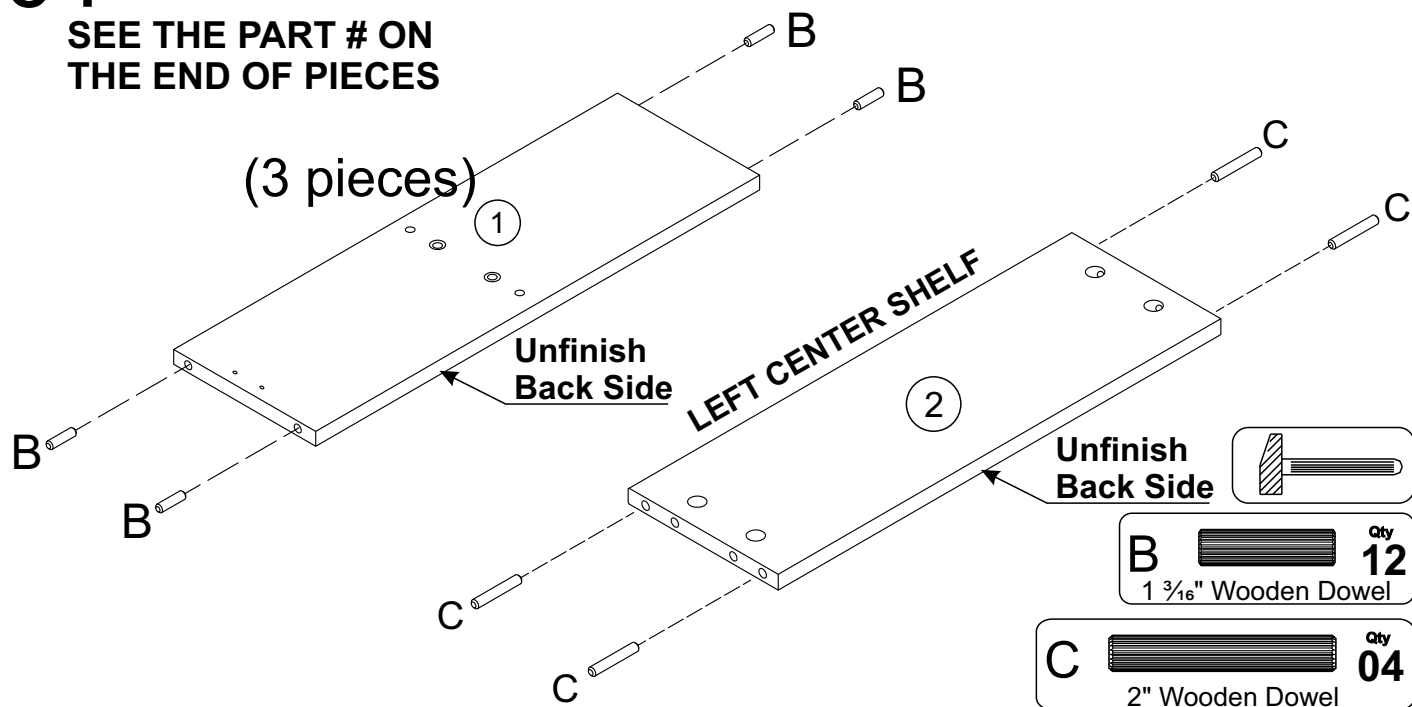
Qty
02

Slider Legs

*Actual size of screws and bolts, for measurements checking.

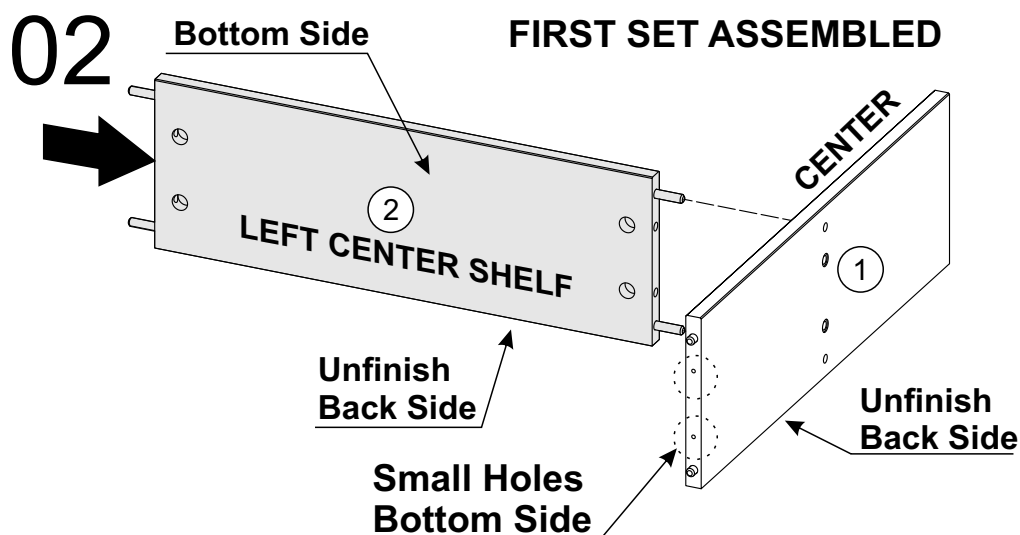
01 PLEASE BE ATTENTIVE BECAUSE THE BOOKCASE SHELVES ARE IN 3 ASSEMBLY STEPS !!!

SEE THE PART # ON THE END OF PIECES

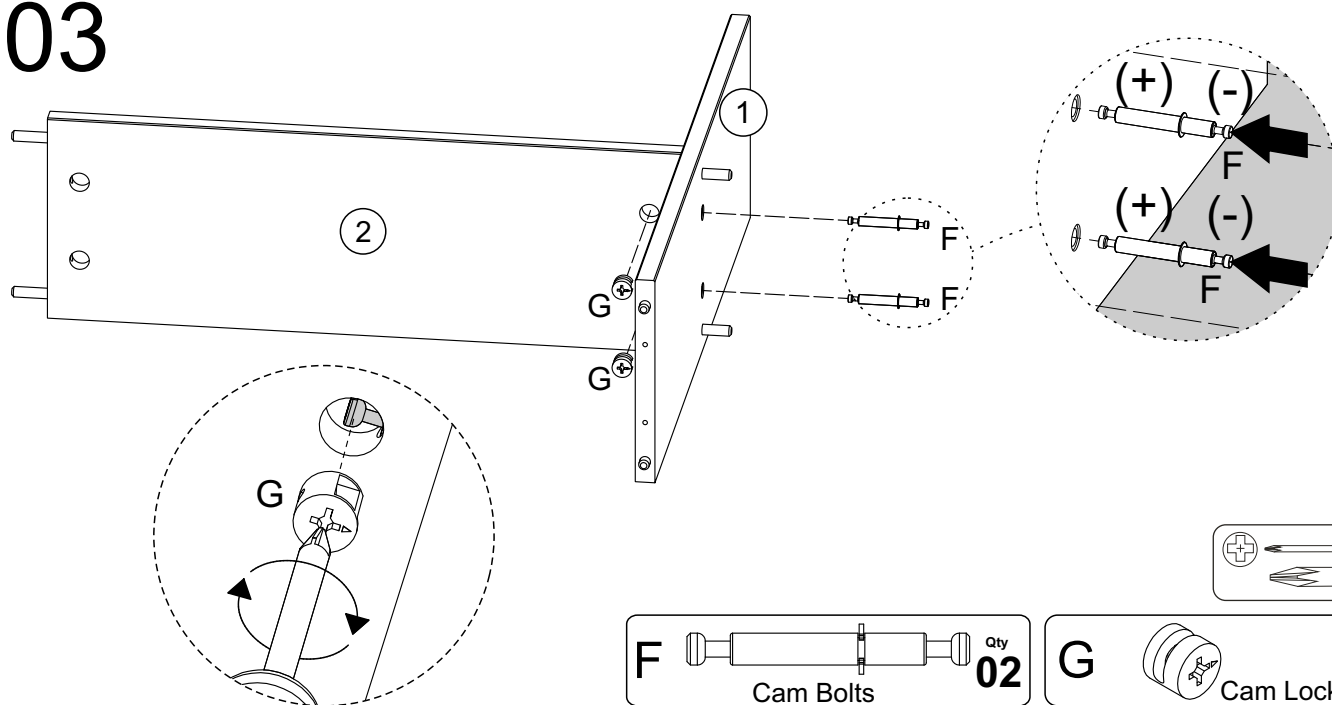


02 FIRST SET ASSEMBLED

START THE ASSEMBLY ON THE FLOOR TILL STEP #29



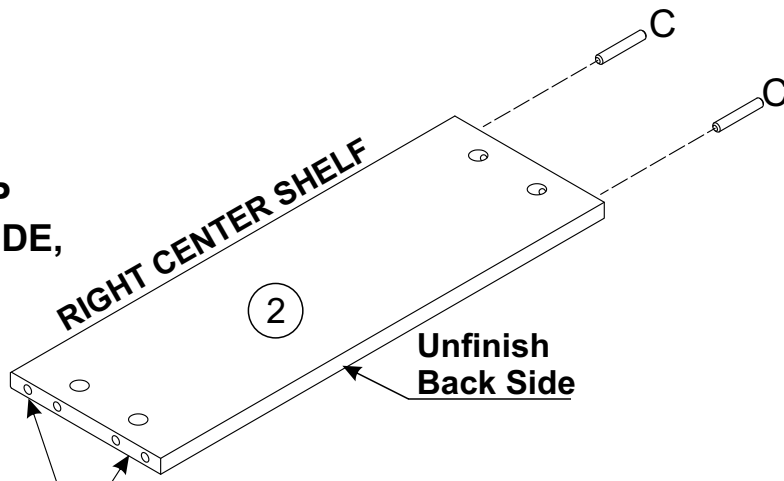
03



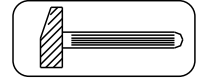
04




ATTENTIVE TO KEEP THE FACE HOLES UPSIDE, EXACTLY AS THE DRAWING BELLOW.

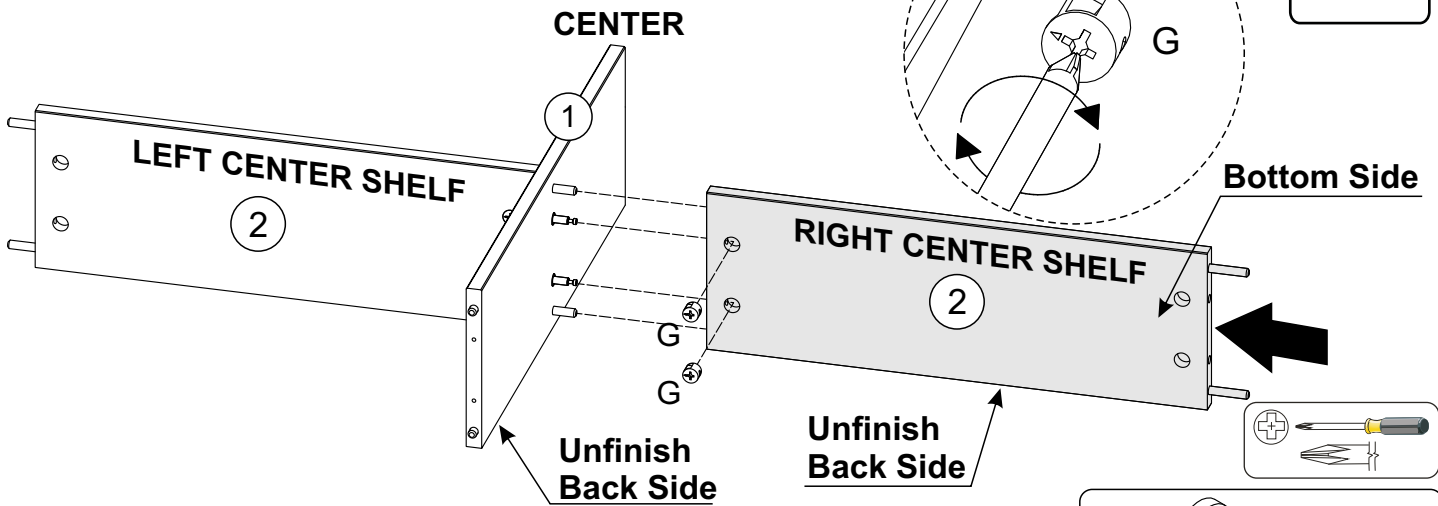


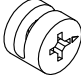
NOT ADD WOODEN DOWEL IN THIS SIDE



C  Qty **02**
2" Wooden Dowel

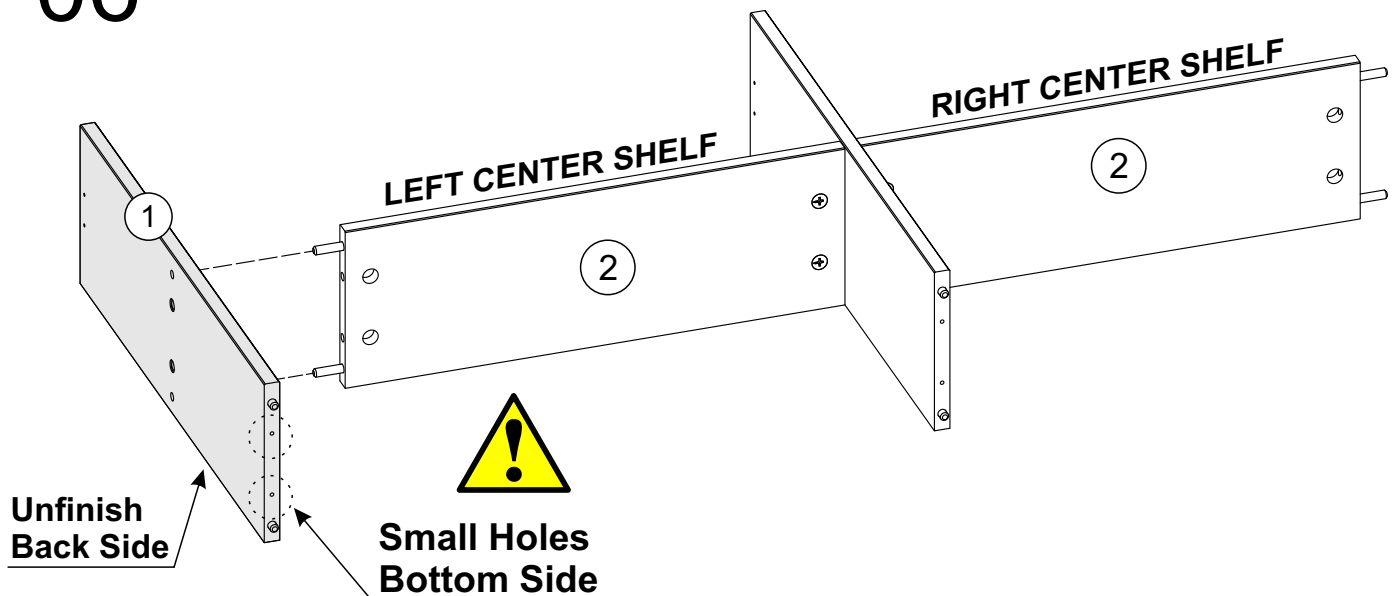
05



G  Qty **02**
Cam Lock

06

SECOND SET ASSEMBLED

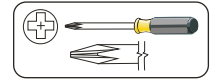
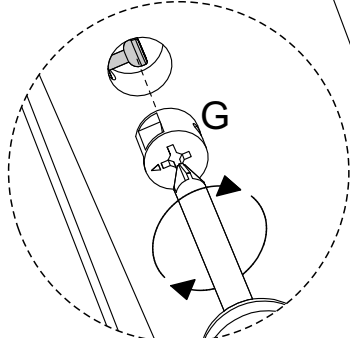
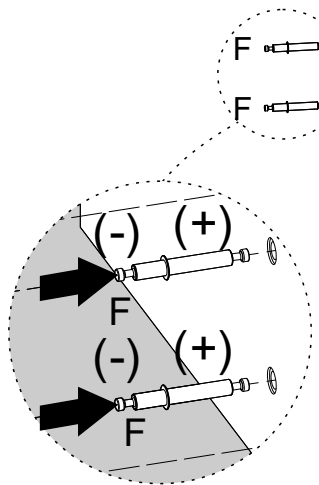


07




LEFT CENTER SHELF

RIGHT CENTER SHELF



G  Cam Lock **Qty 02**

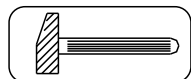
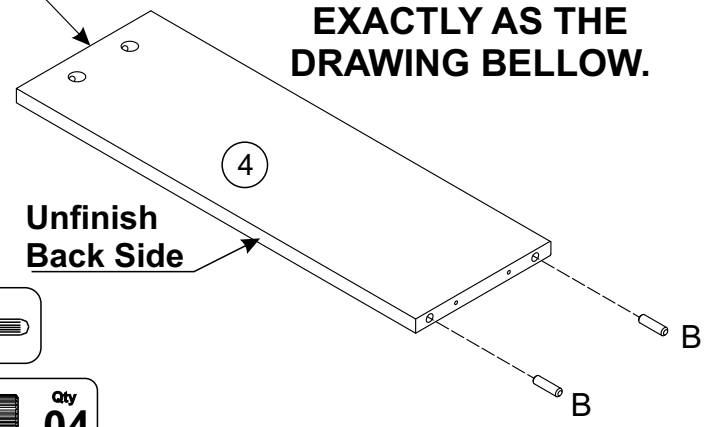
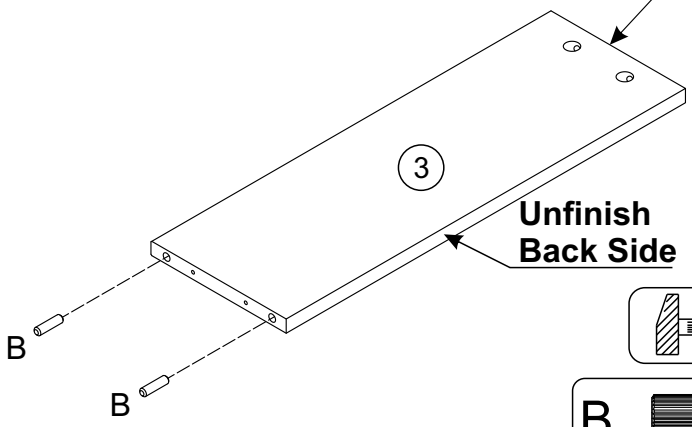
F  Cam Bolts **Qty 02**

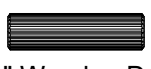
08

**NOT ADD
WOODEN DOWEL IN
THIS SIDE**

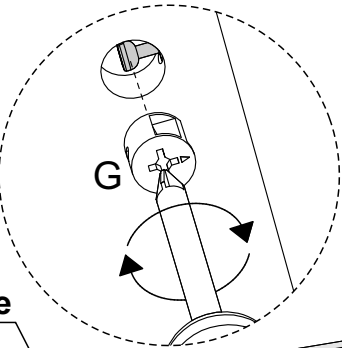
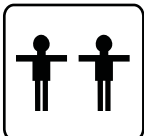


**ATTENTIVE TO KEEP
THE FACE HOLES UPSIDE,
EXACTLY AS THE
DRAWING BELOW.**

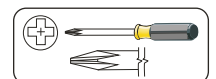
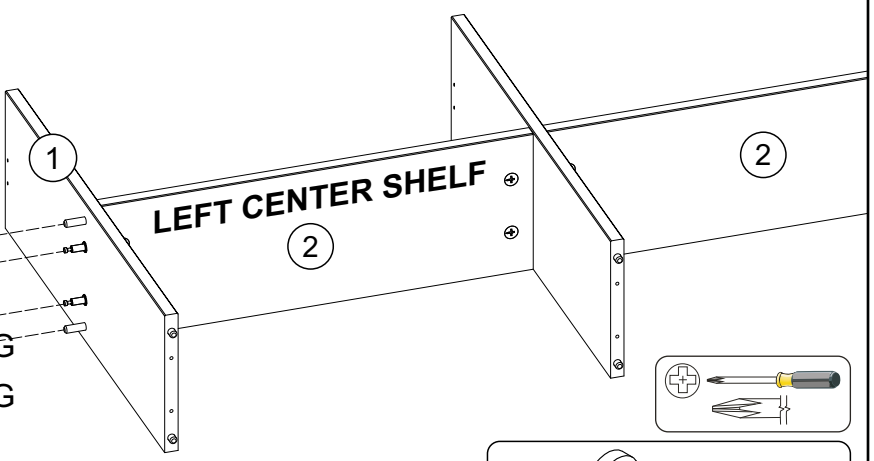
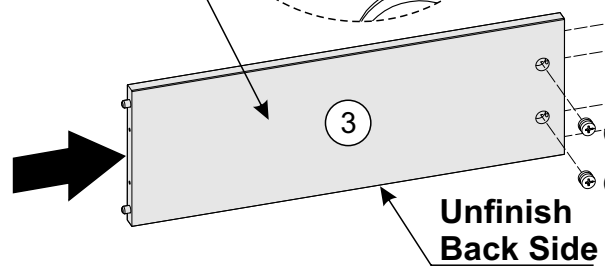


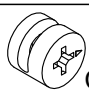
B  **Qty 04**
1 3/16" Wooden Dowel

09



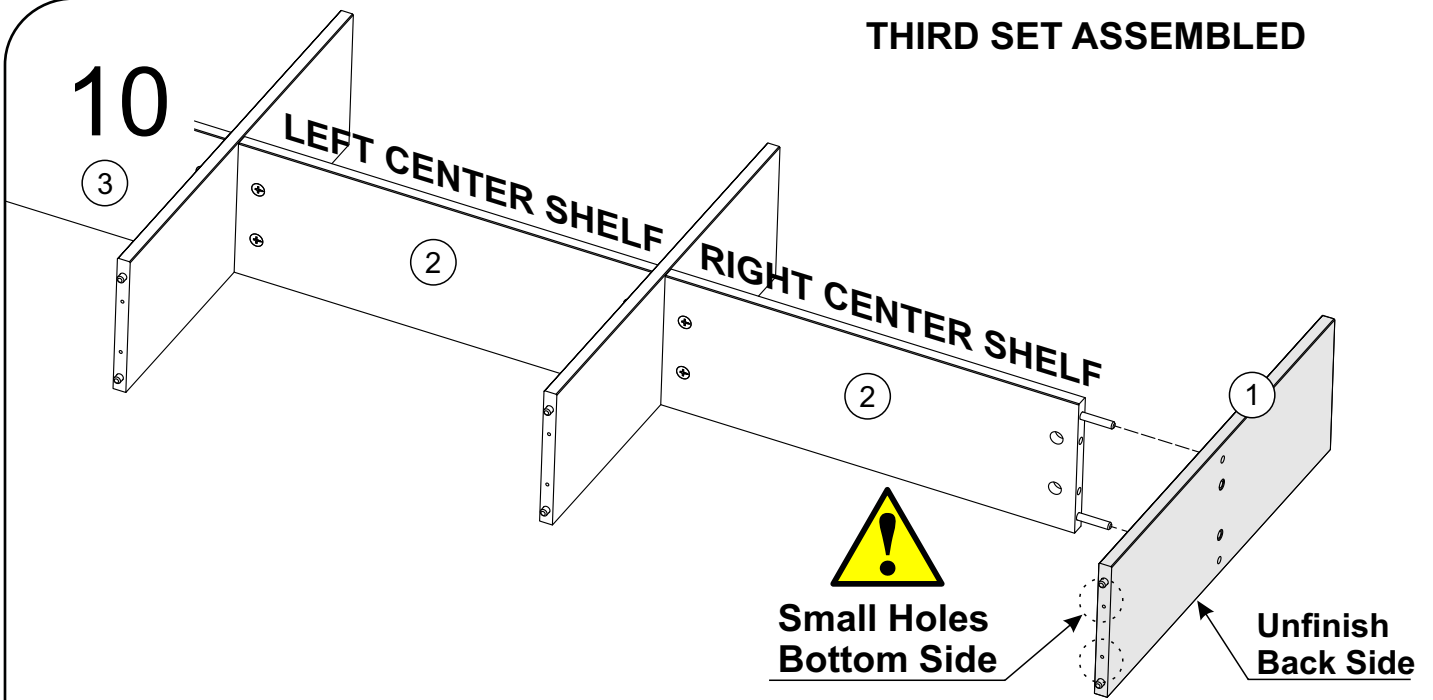
Bottom Side



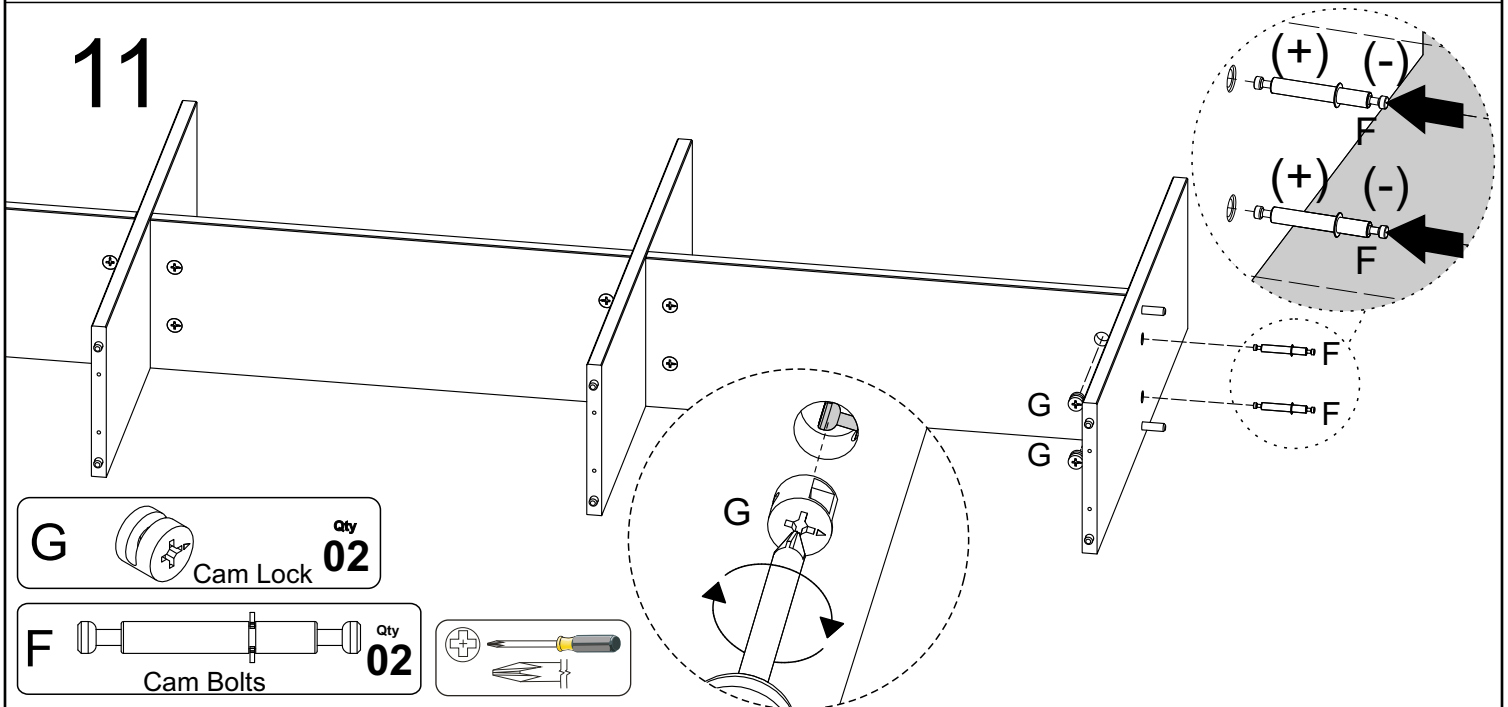
G  Cam Lock **Qty 02**

THIRD SET ASSEMBLED

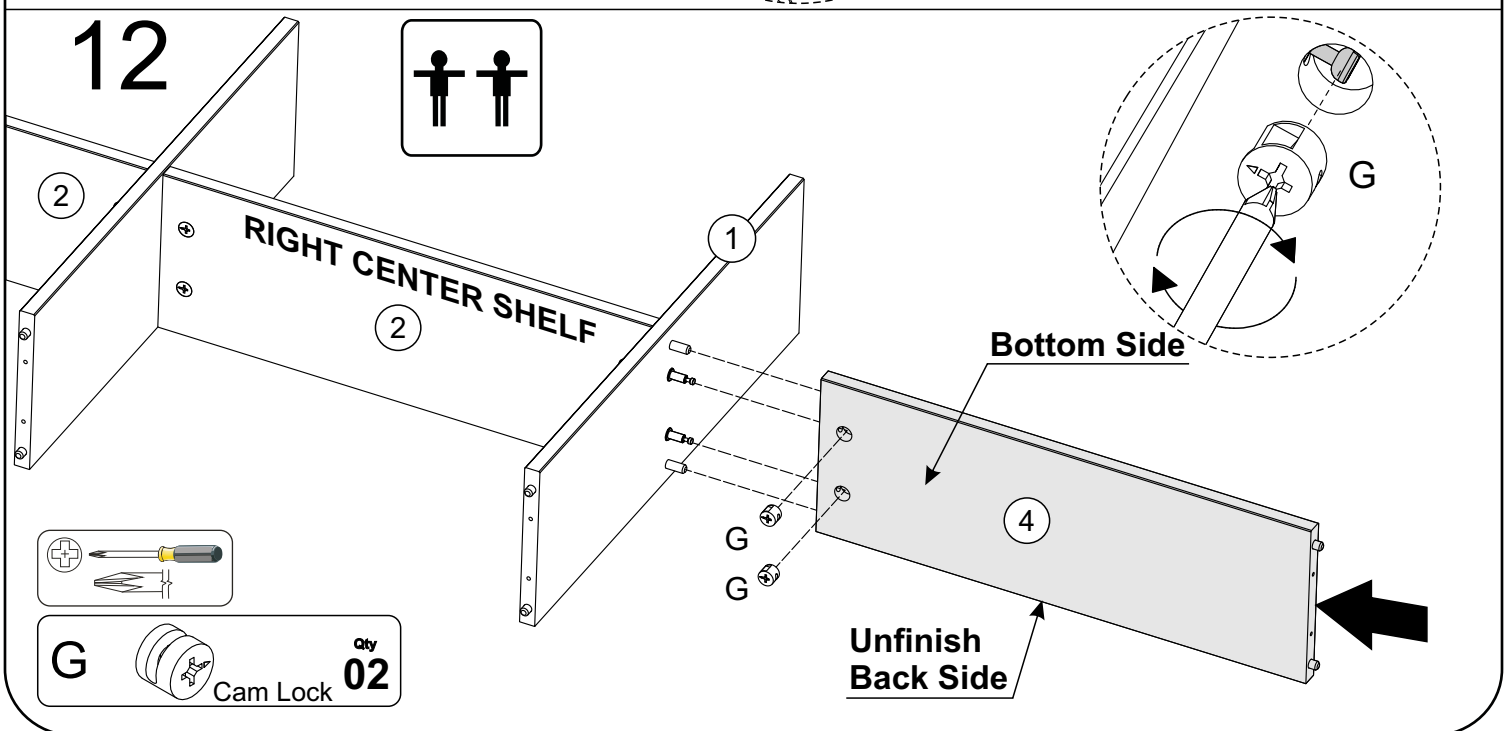
10



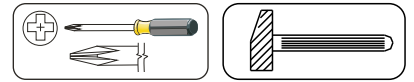
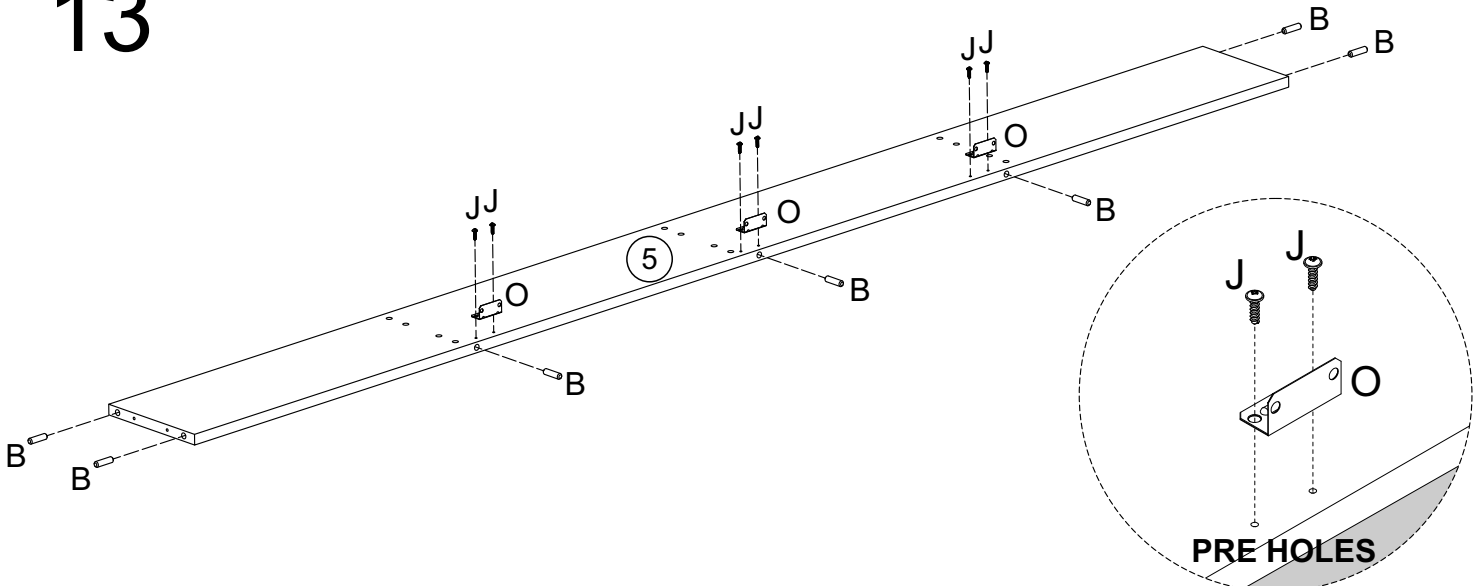
11




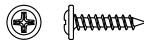
12



13

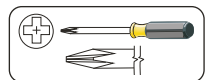
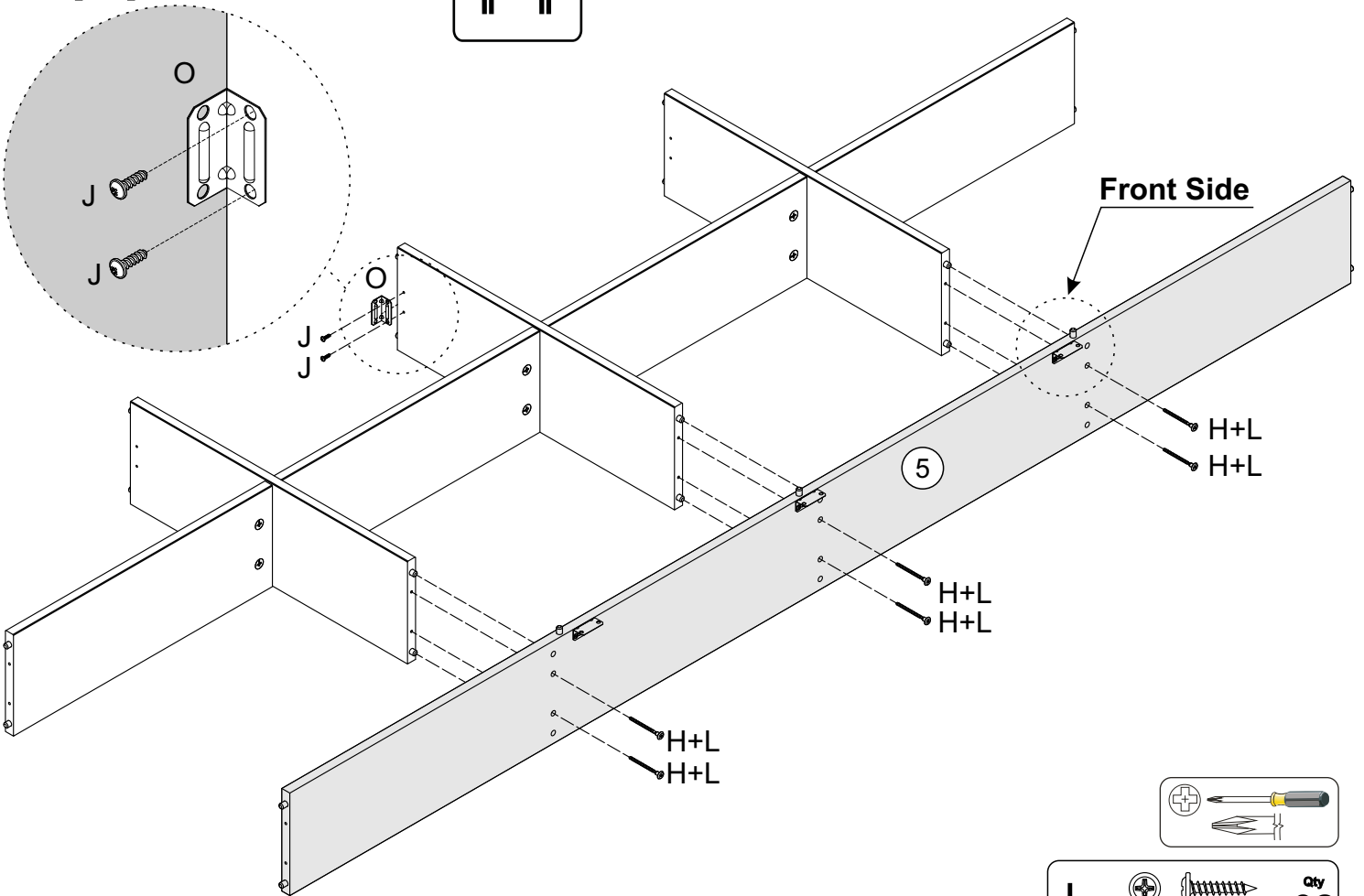
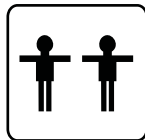



B  Qty **07**
1 3/16" Wooden Dowel


J  Qty **06**
15/32" Screw

O  Qty **03**
L-Bracket

14



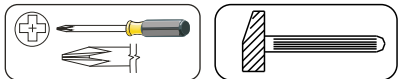
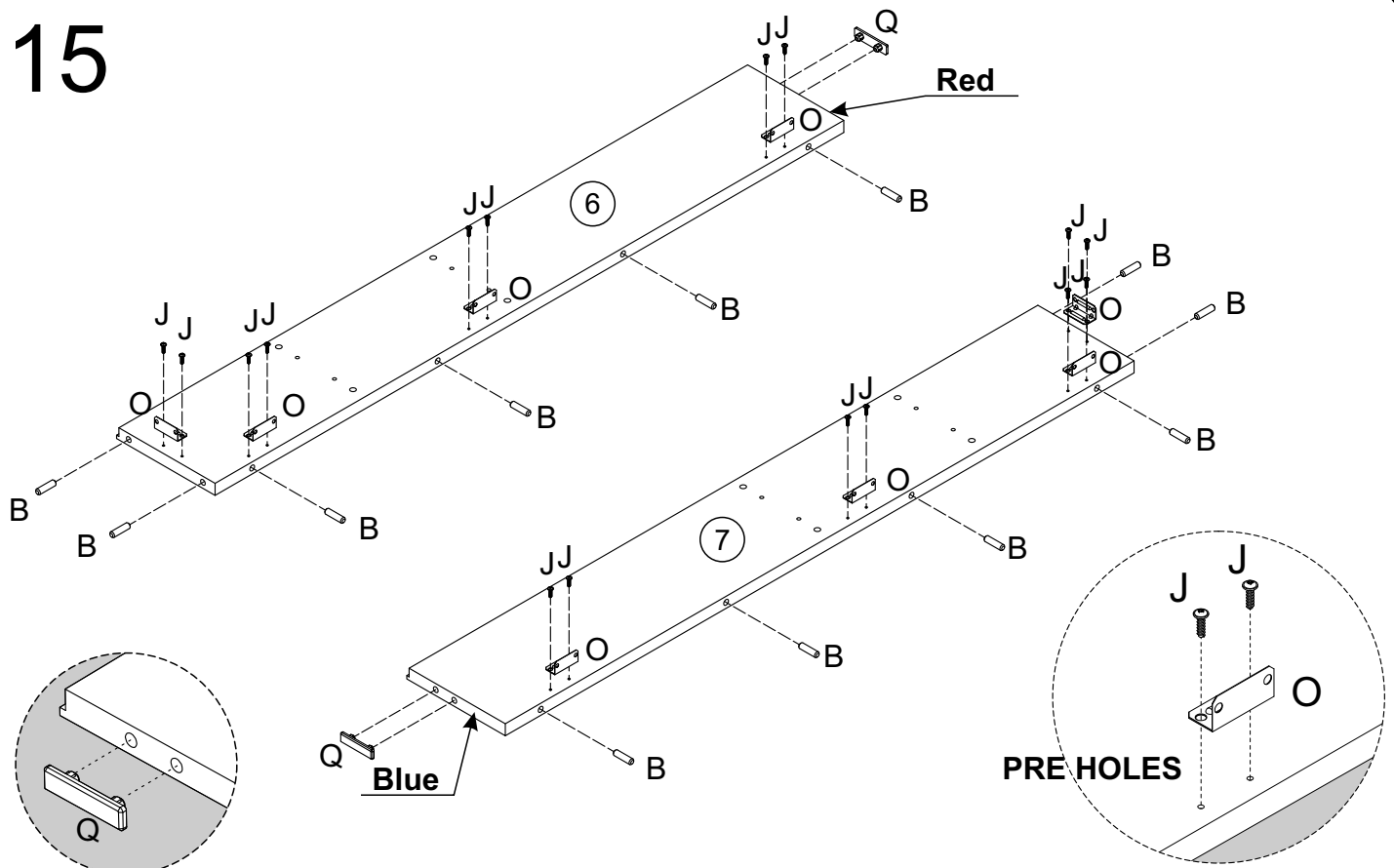
J  Qty **02**
15/32" Screw

H  Qty **06**
2 3/8" Bolt


L  Qty **01**
3mm Small Allen wrench

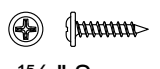
O  Qty **01**
L-Bracket

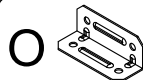
15

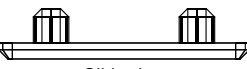


Bottom Side

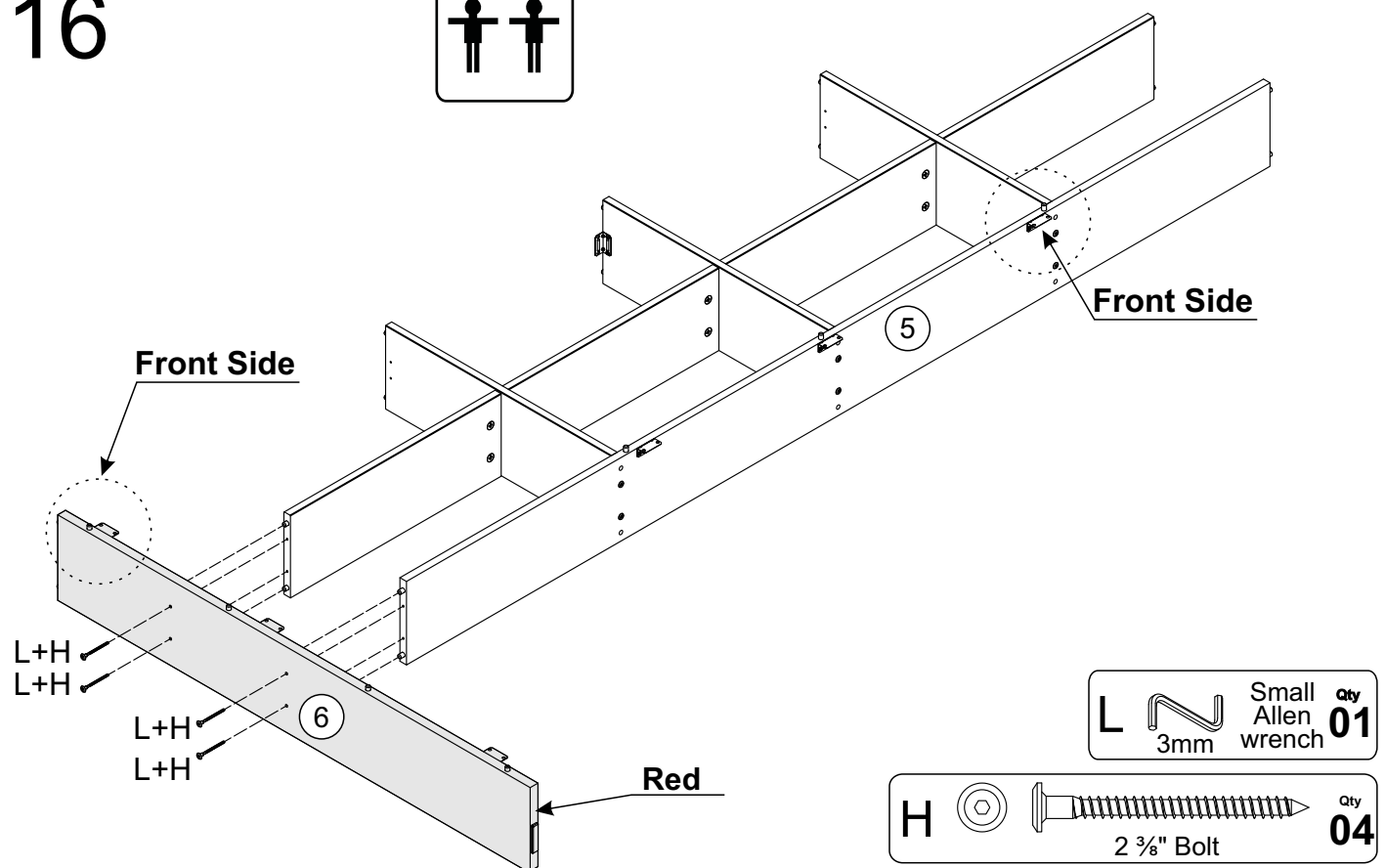
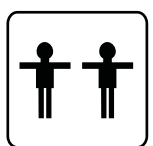
B  Qty **12**
1 3/16" Wooden Dowel

J  Qty **16**
15/32" Screw

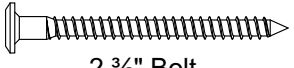
O  L-Bracket Qty **08**

Q  Qty **02**
Slider Legs

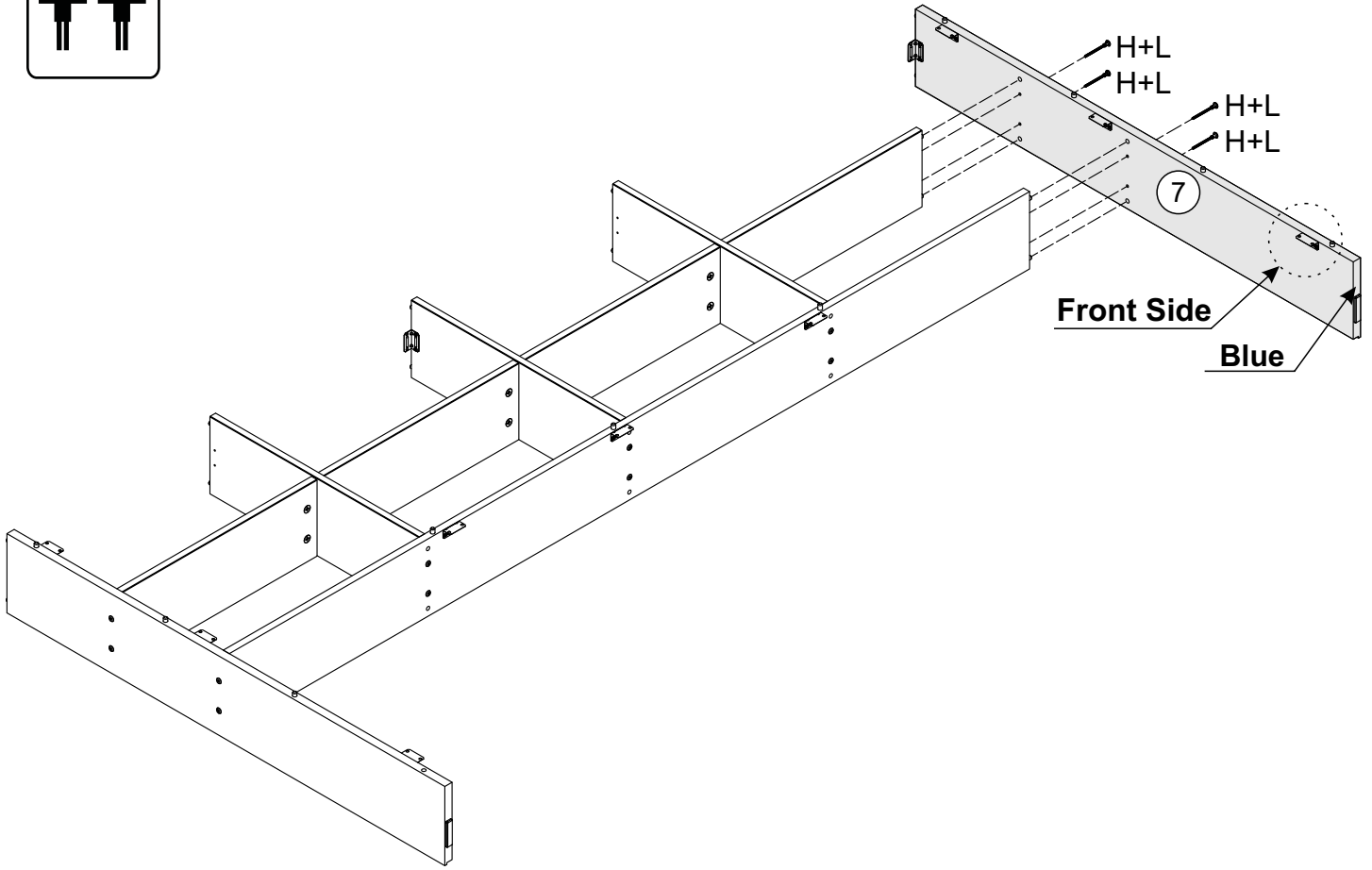
16





L  Small Allen wrench Qty **01**
3mm

H  Qty **04**
2 3/8" Bolt

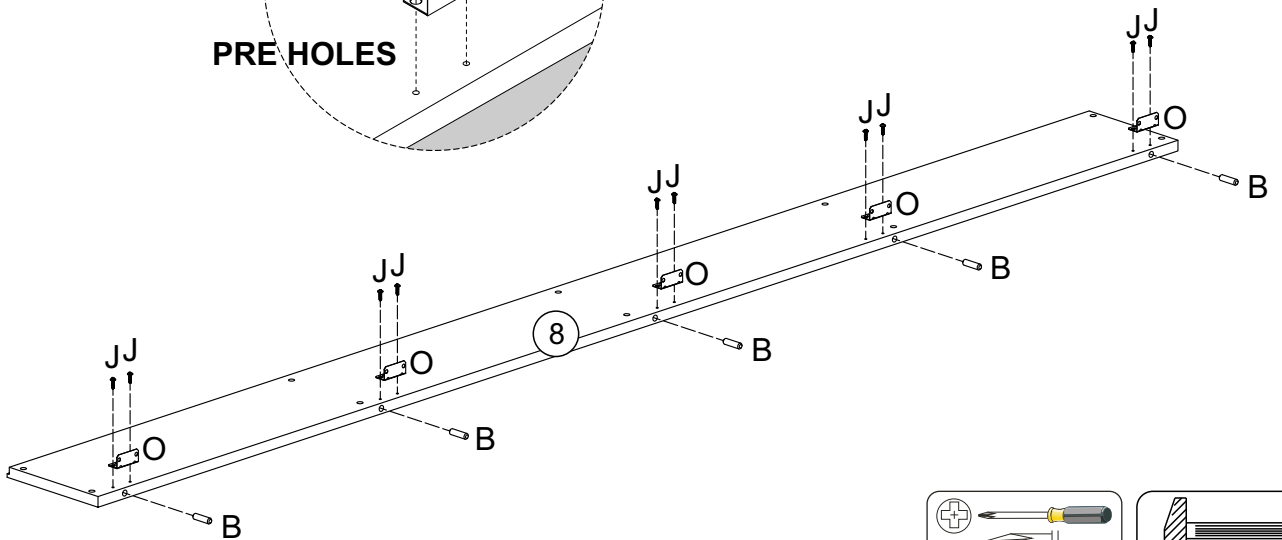
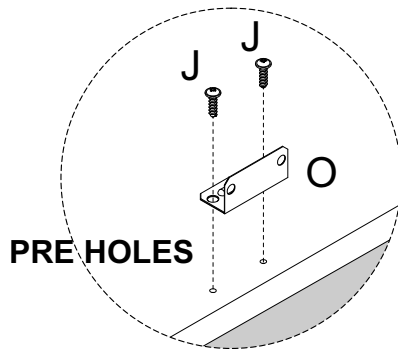
17





H   Qty **04**
2 3/8" Bolt

L  Small Allen wrench Qty **01**
3mm

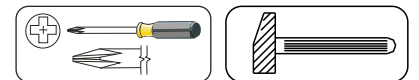
18



B  Qty **05**
1 3/16" Wooden Dowel

J  Qty **10**
15/32" Screw

O  L-Bracket Qty **05**



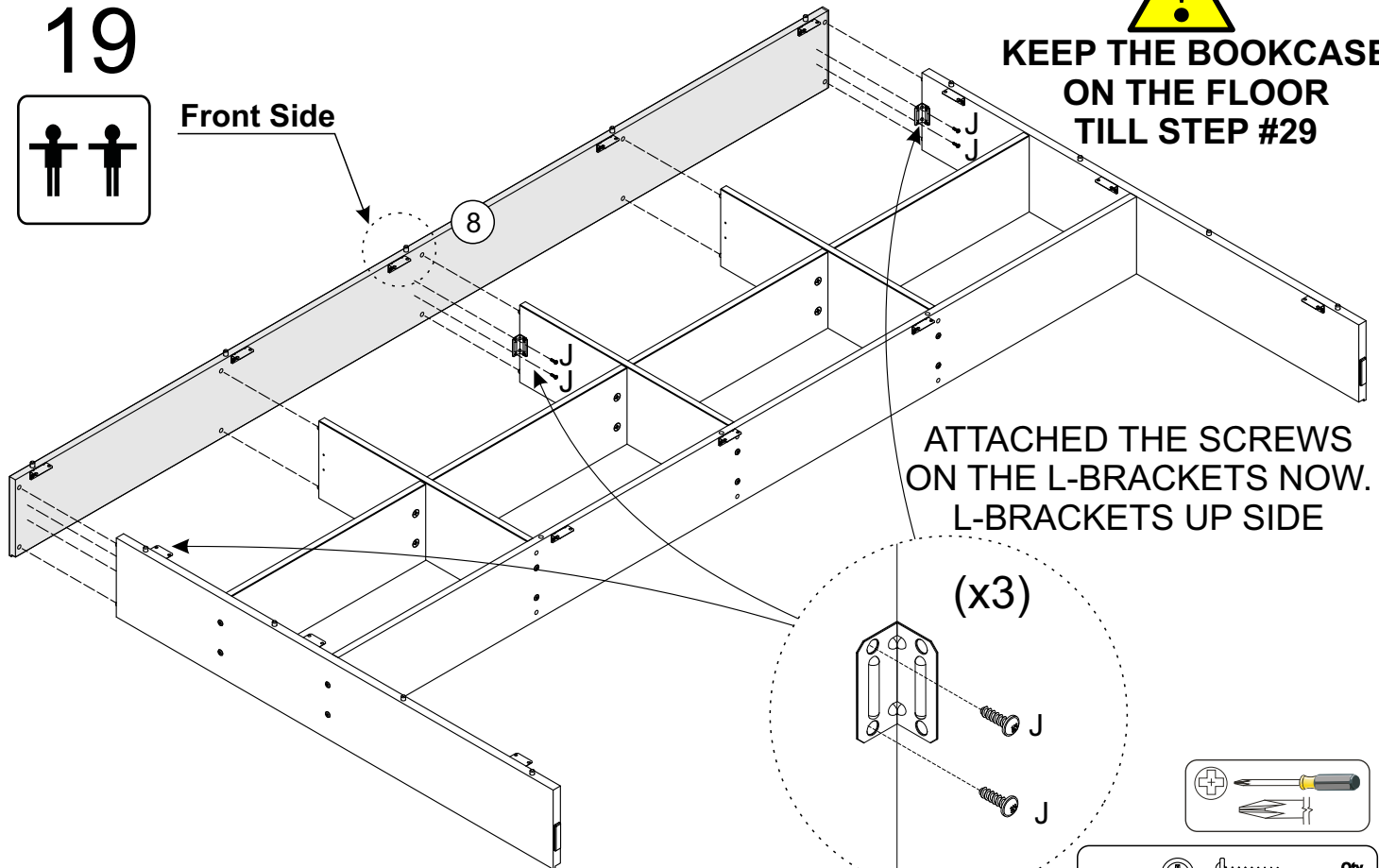
19



Front Side

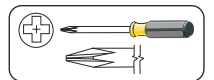


KEEP THE BOOKCASE ON THE FLOOR TILL STEP #29



ATTACHED THE SCREWS ON THE L-BRACKETS NOW. L-BRACKETS UP SIDE

(x3)

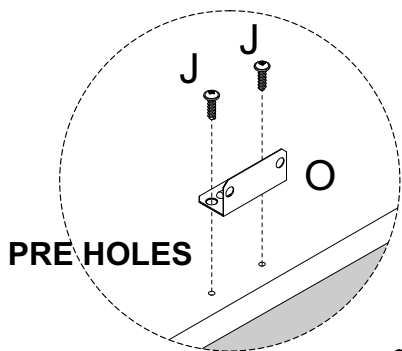


J Qty **06**
1 5/32" Screw

20



ATTENTIVE TO ATTACHED THE L-BRACKET ON THIS STEP.



1 L-BRACKET ON THIS SIDE !

1 L-BRACKET ON THIS SIDE !

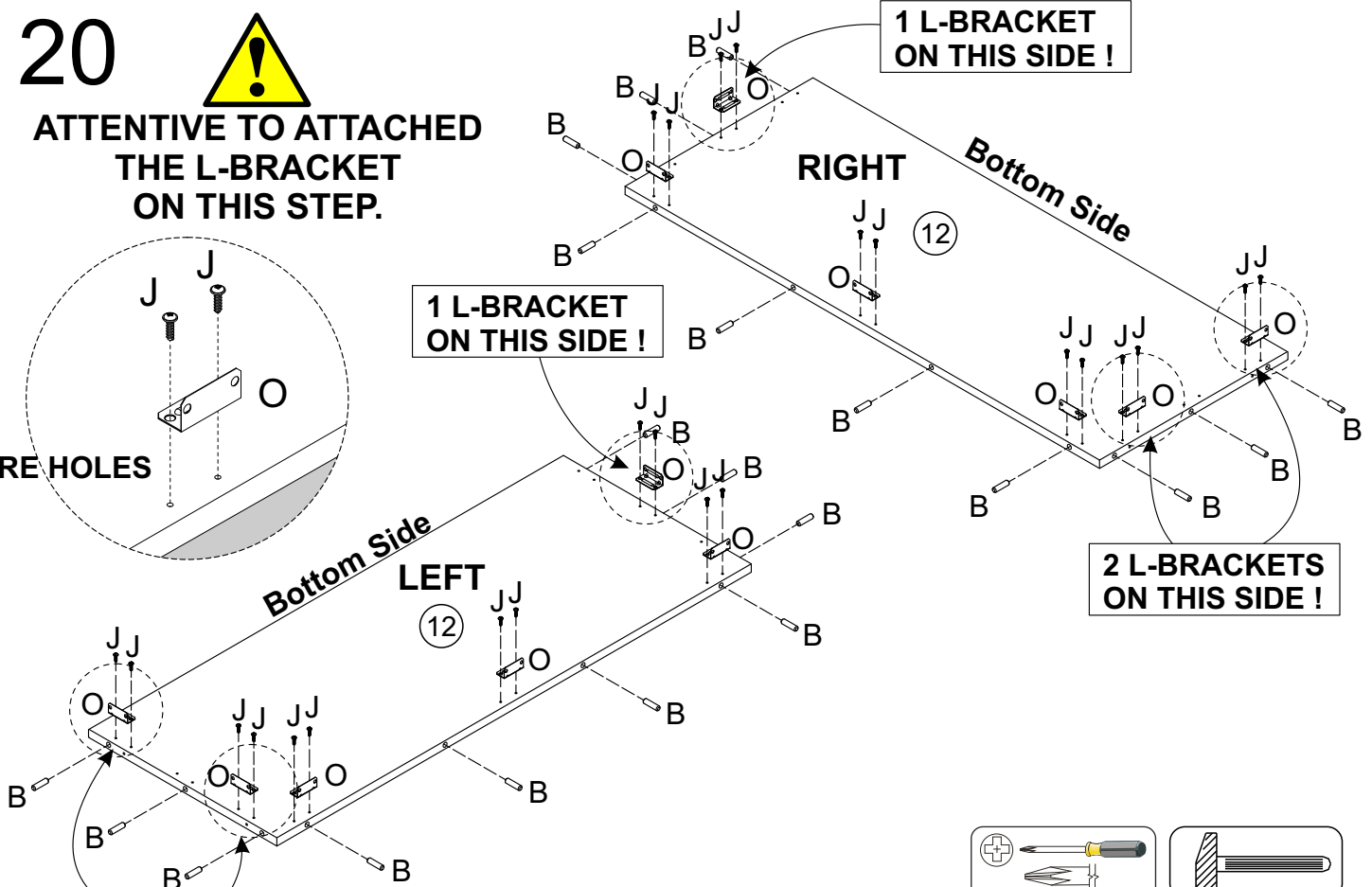
RIGHT

Bottom Side

2 L-BRACKETS ON THIS SIDE !

LEFT

Bottom Side

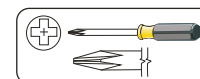


2 L-BRACKETS ON THIS SIDE !

B Qty **20**
1 3/16" Wooden Dowel

J Qty **24**
1 5/32" Screw

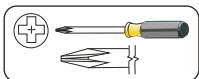
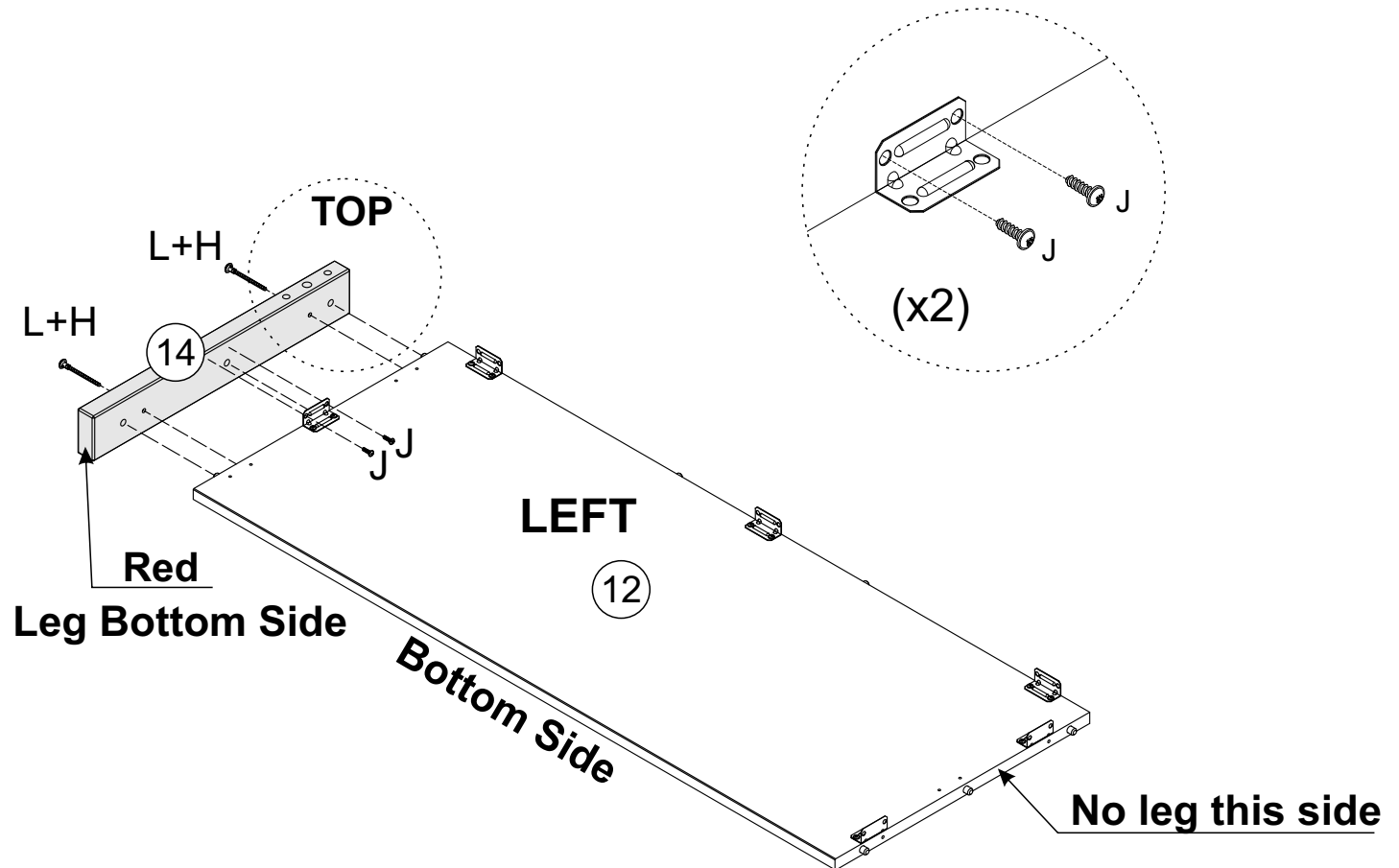
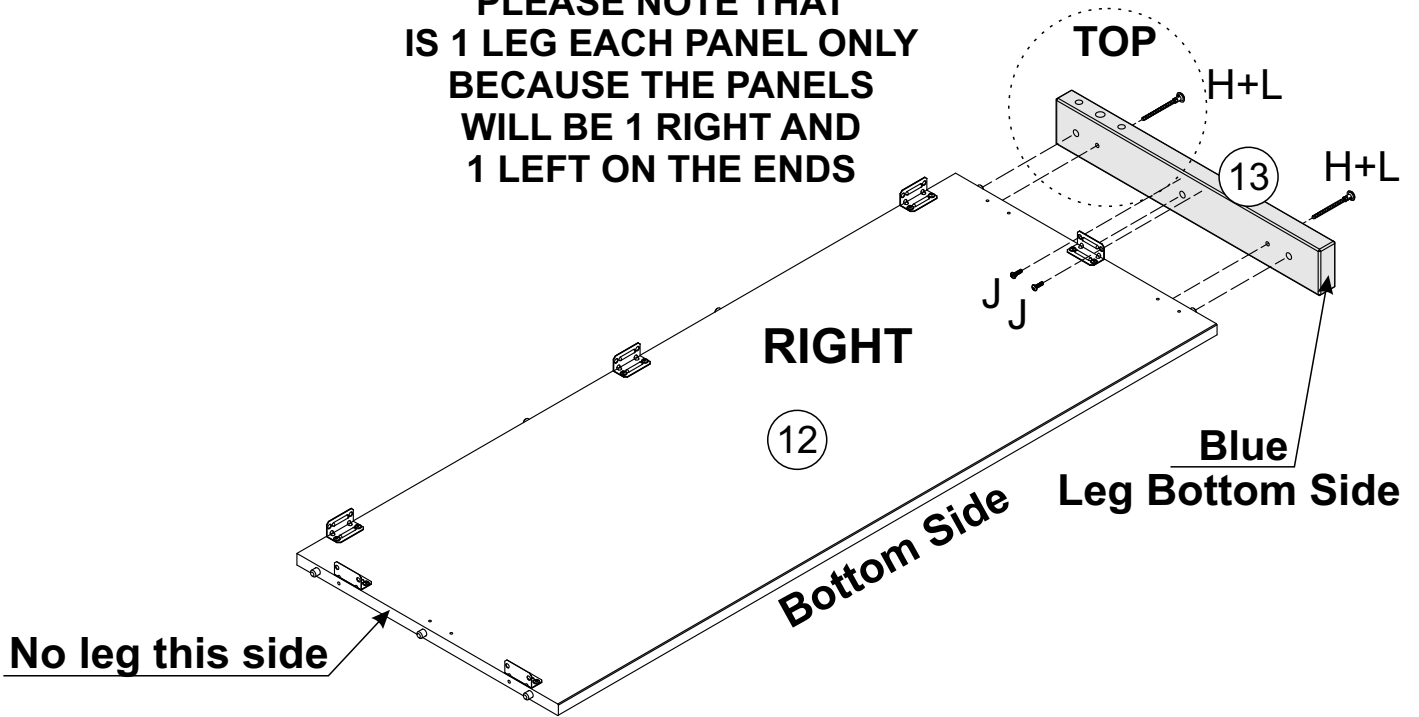
O Qty **12**
L-Bracket




21

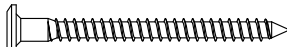


PLEASE NOTE THAT
IS 1 LEG EACH PANEL ONLY
BECAUSE THE PANELS
WILL BE 1 RIGHT AND
1 LEFT ON THE ENDS



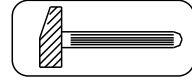
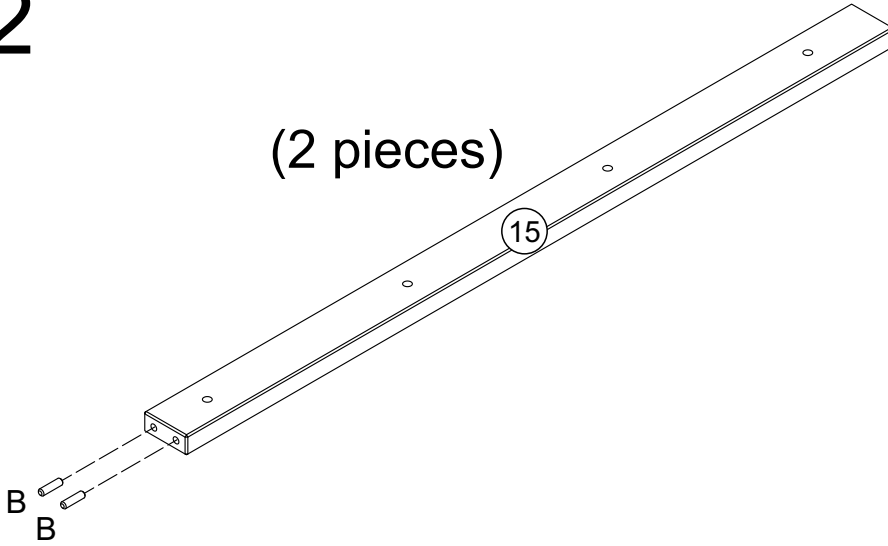
J  **Qty 04**
15/32" Screw

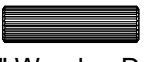
L  **Qty 01**
3mm Small Allen wrench

H  **Qty 04**
2 3/8" Bolt

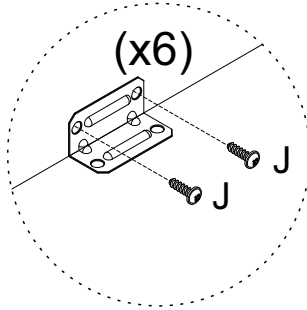
22

(2 pieces)

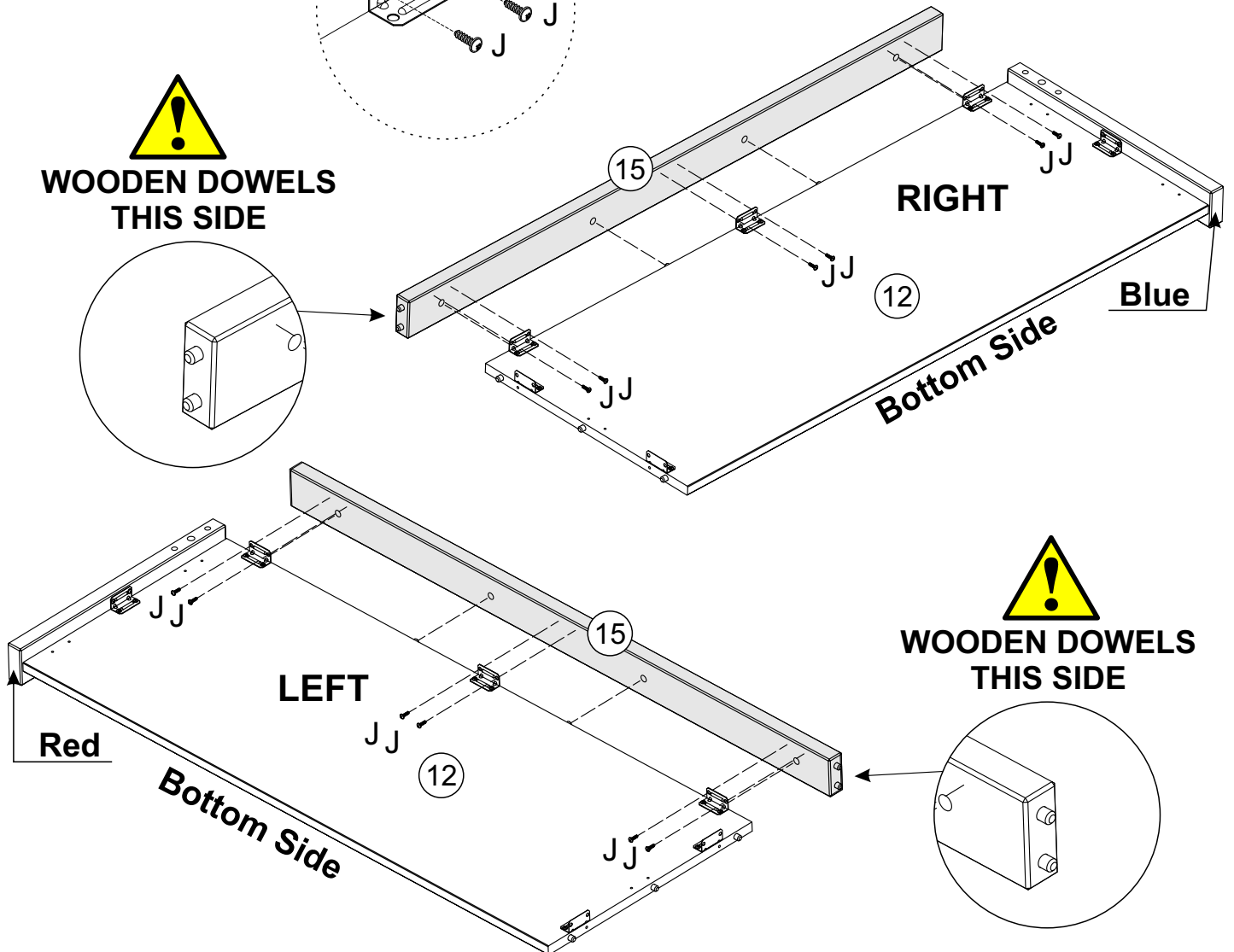
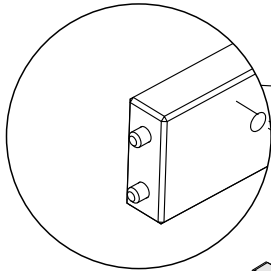


B  Qty **04**
1 3/16" Wooden Dowel

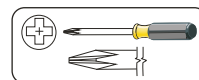
23

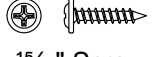


**WOODEN DOWELS
THIS SIDE**

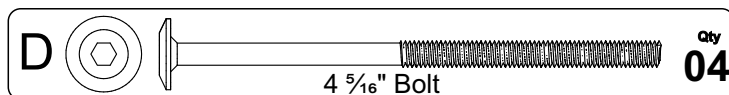
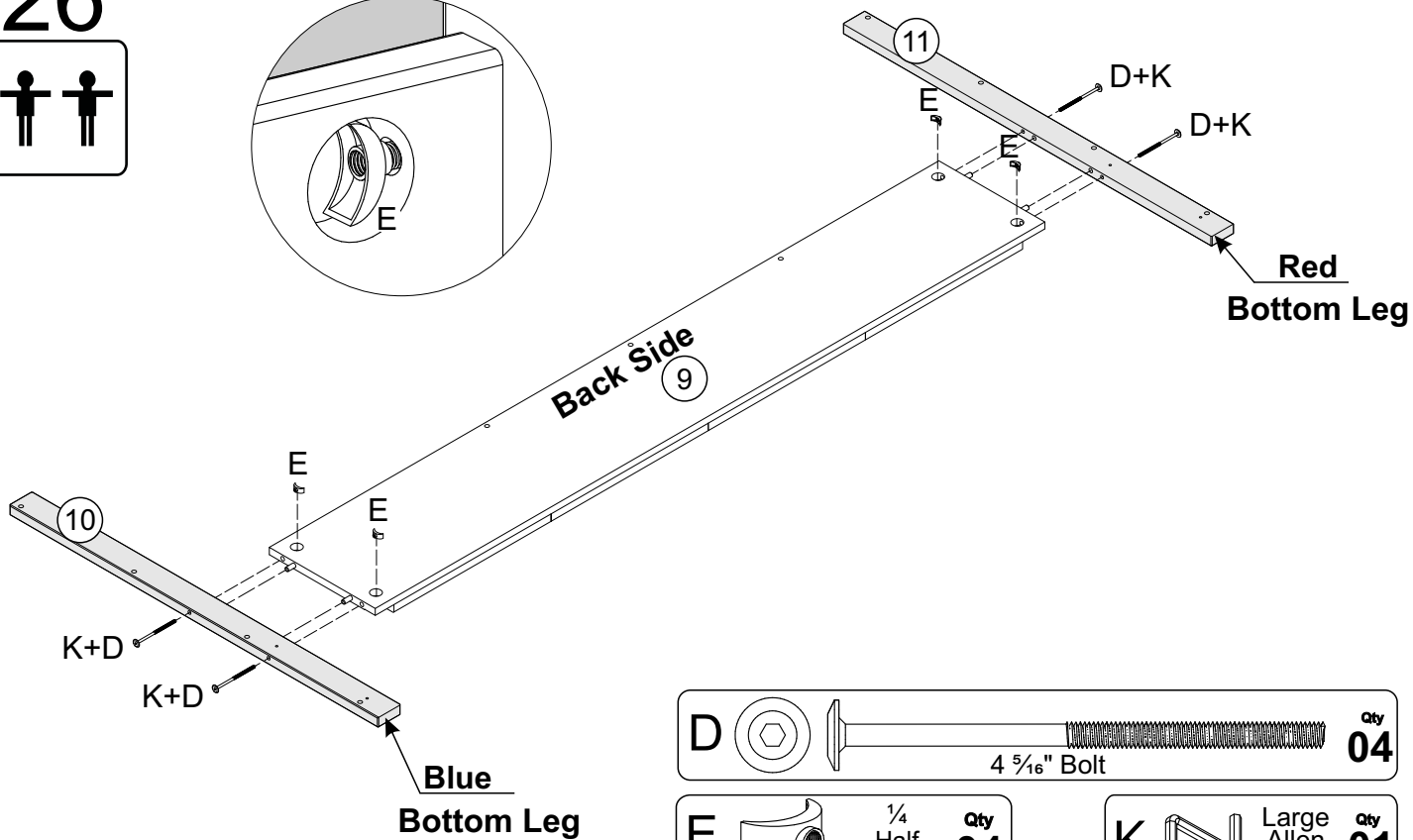
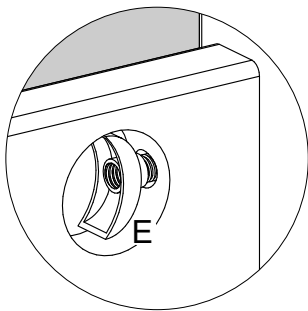
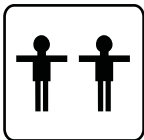


**WOODEN DOWELS
THIS SIDE**

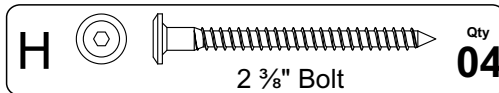
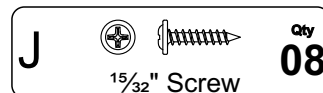
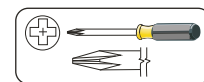
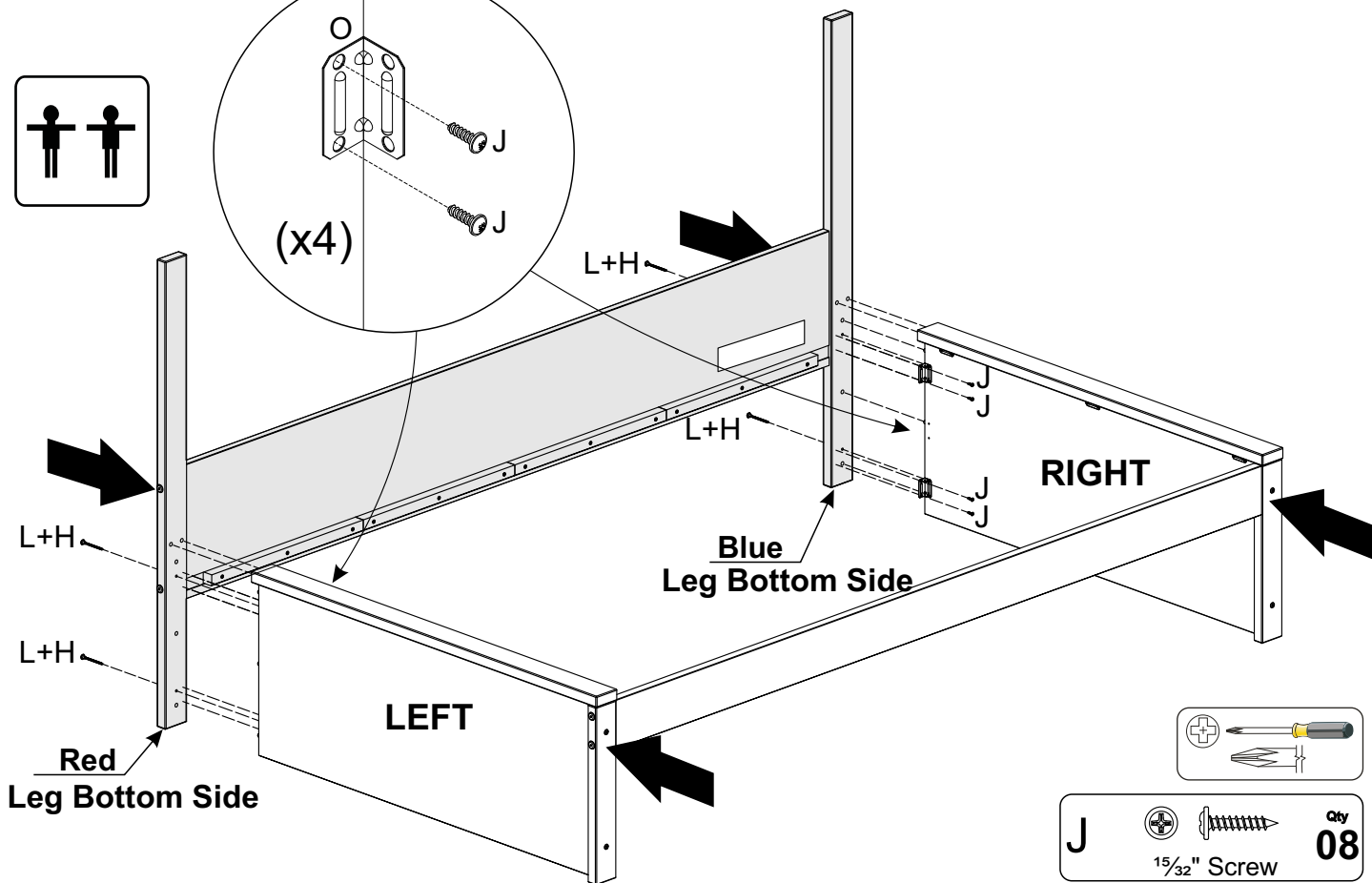
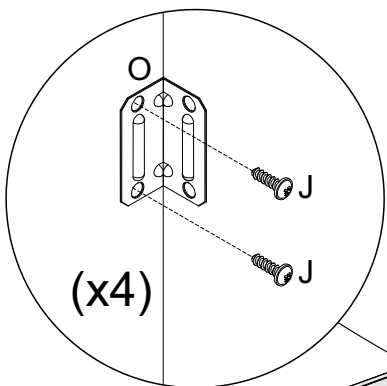
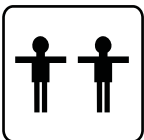


J  Qty **12**
15/32" Screw

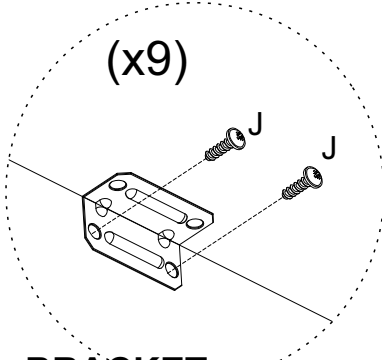
26



27

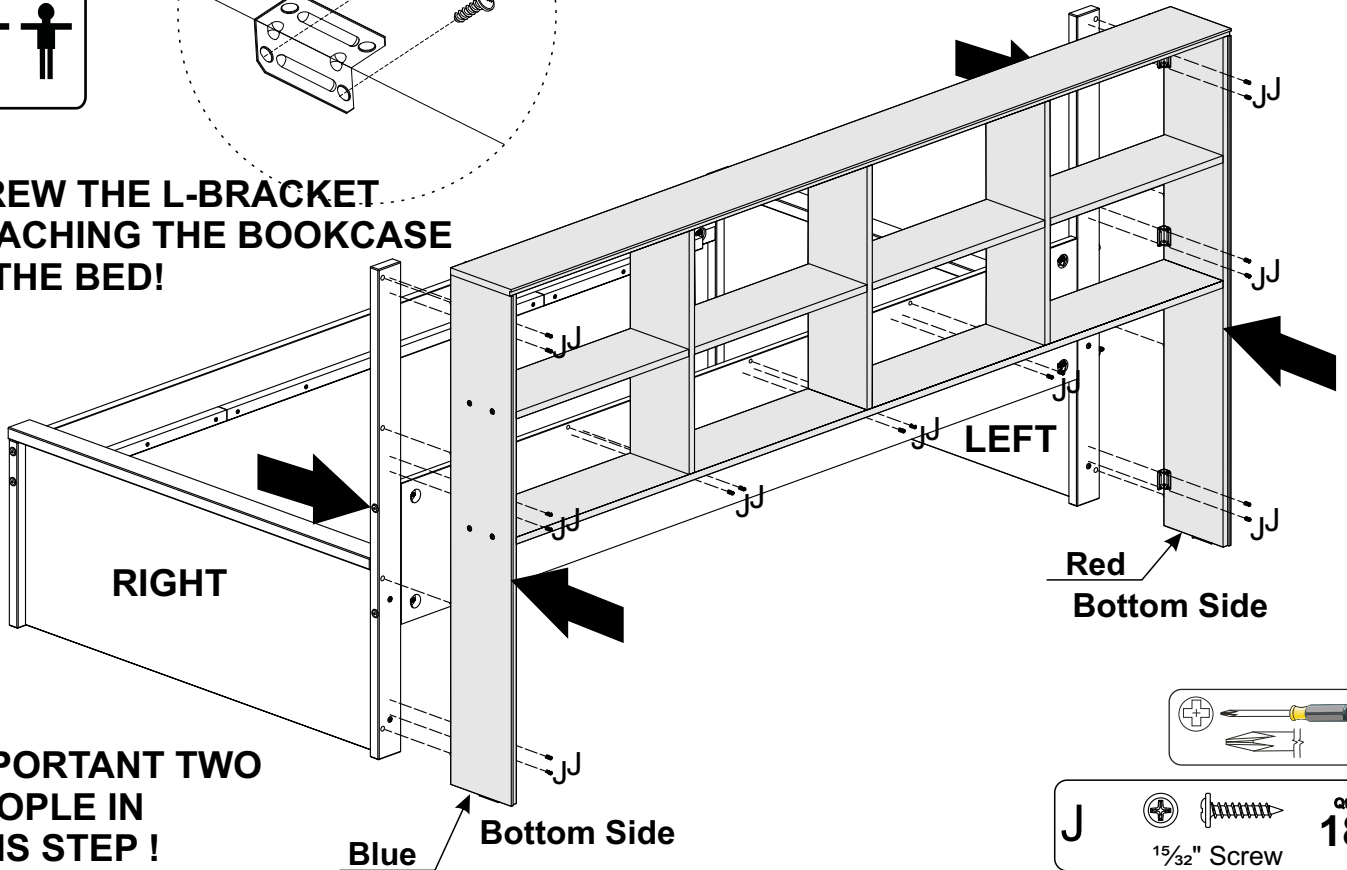


28

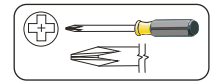



PLEASE BE CAREFUL IN THIS STEP TO NOT BREAK THE PARTS. YOU NEED TO LIFT THE BOOKCASE OFF THE FLOOR NOW.

SCREW THE L-BRACKET ATTACHING THE BOOKCASE TO THE BED!

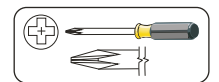
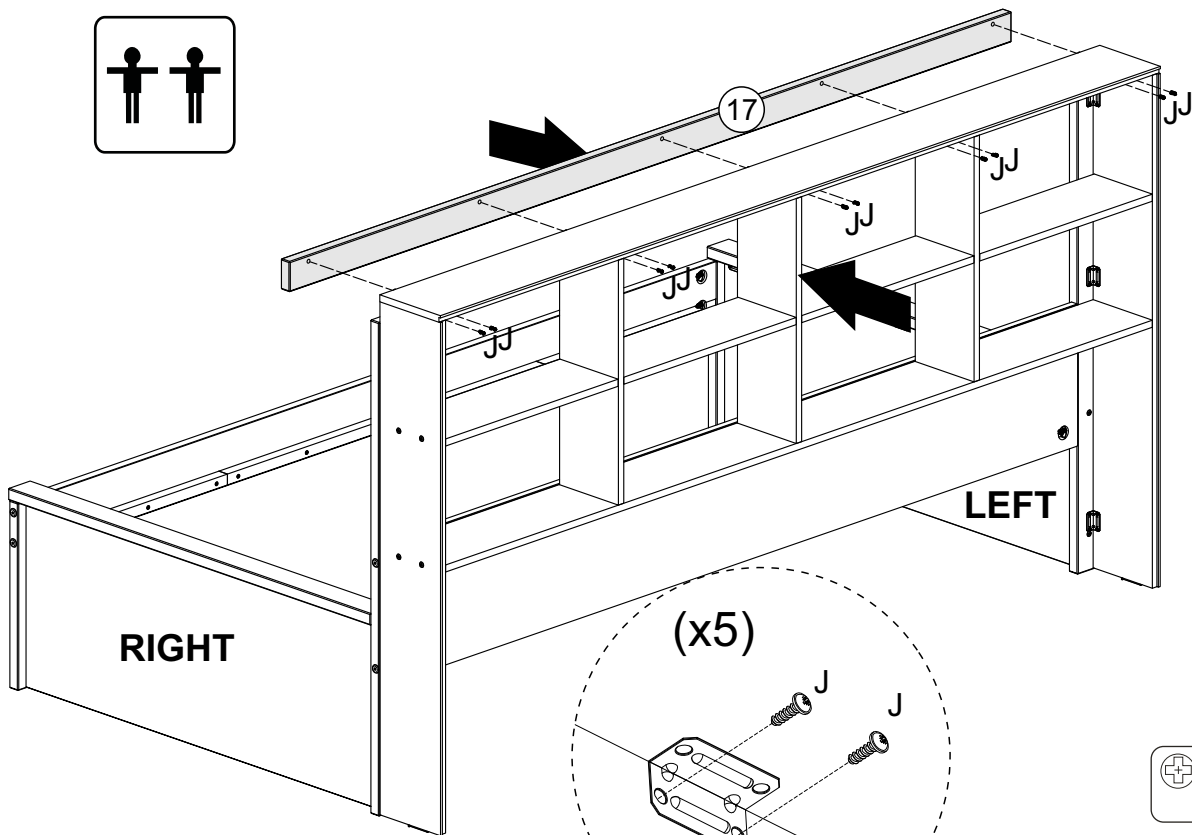
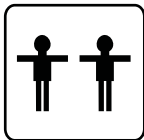



IMPORTANT TWO PEOPLE IN THIS STEP!



J  15/32" Screw Qty 18

29

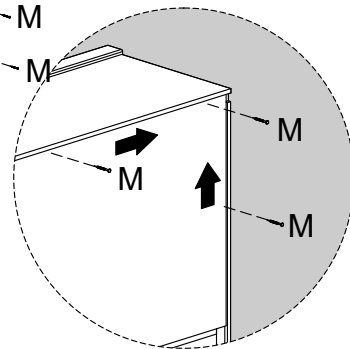
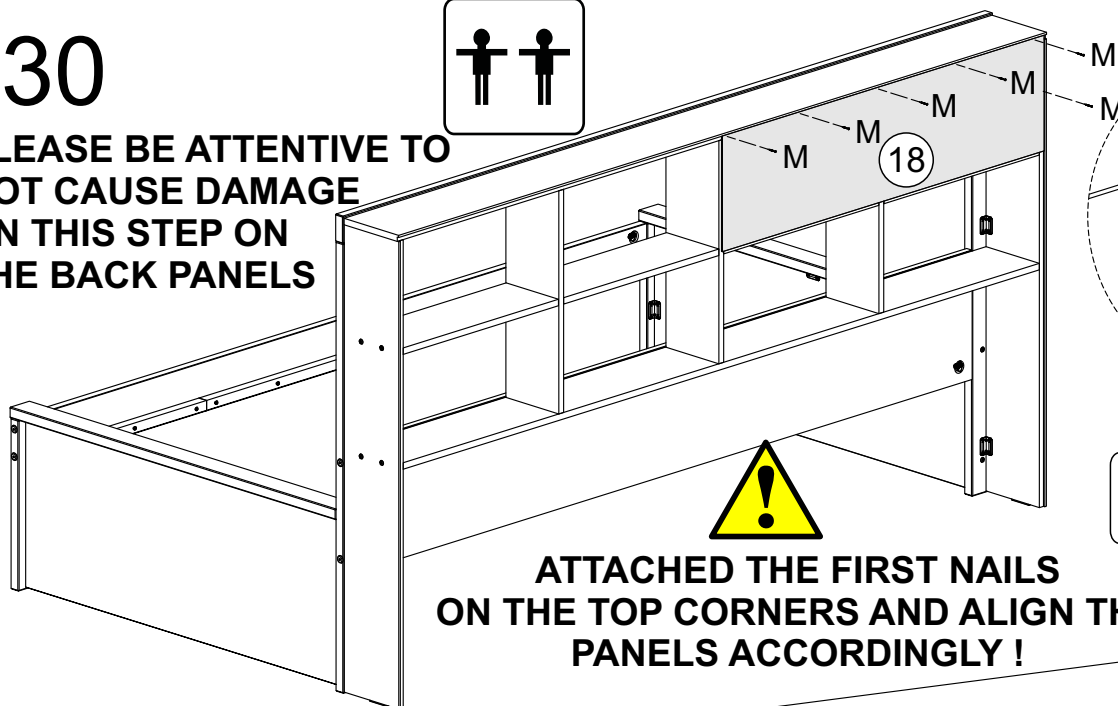


J  15/32" Screw Qty 10

30

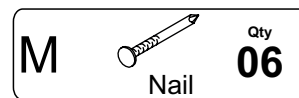
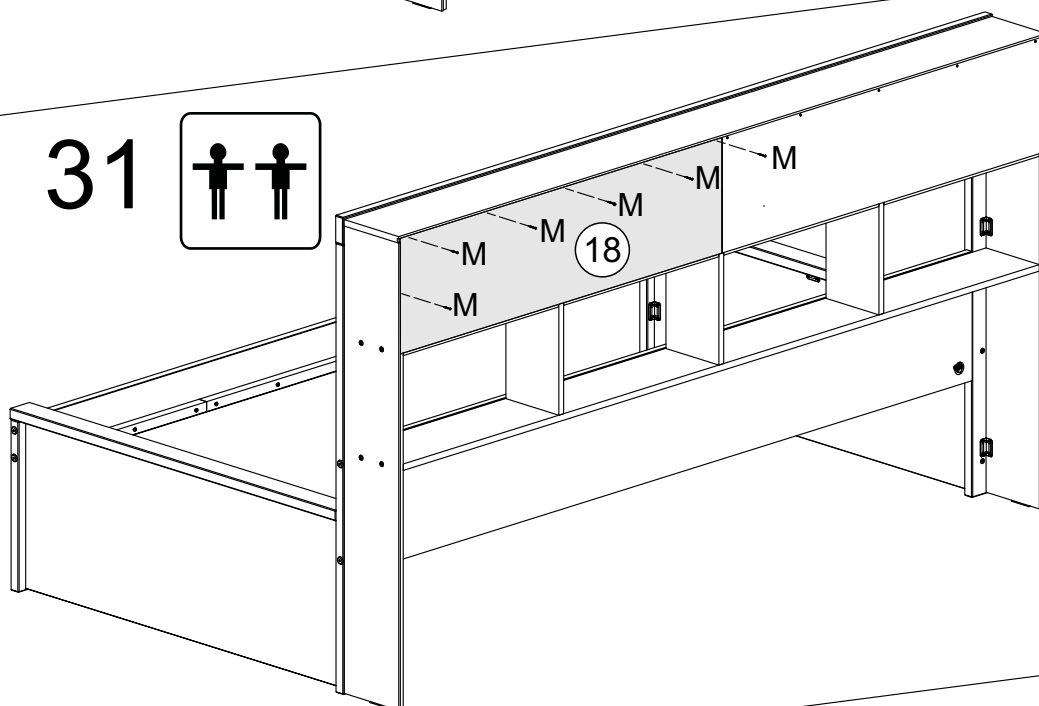
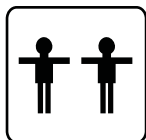


PLEASE BE ATTENTIVE TO NOT CAUSE DAMAGE ON THIS STEP ON THE BACK PANELS

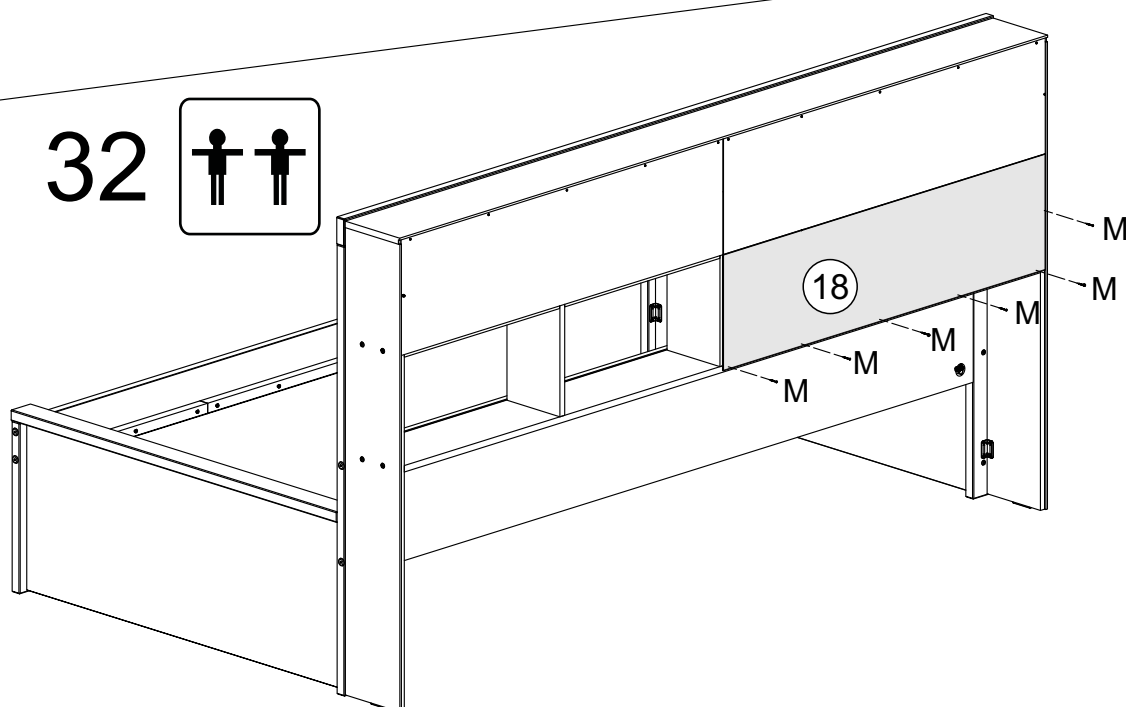
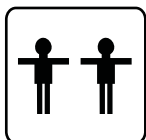


ATTACHED THE FIRST NAILS ON THE TOP CORNERS AND ALIGN THE PANELS ACCORDINGLY !

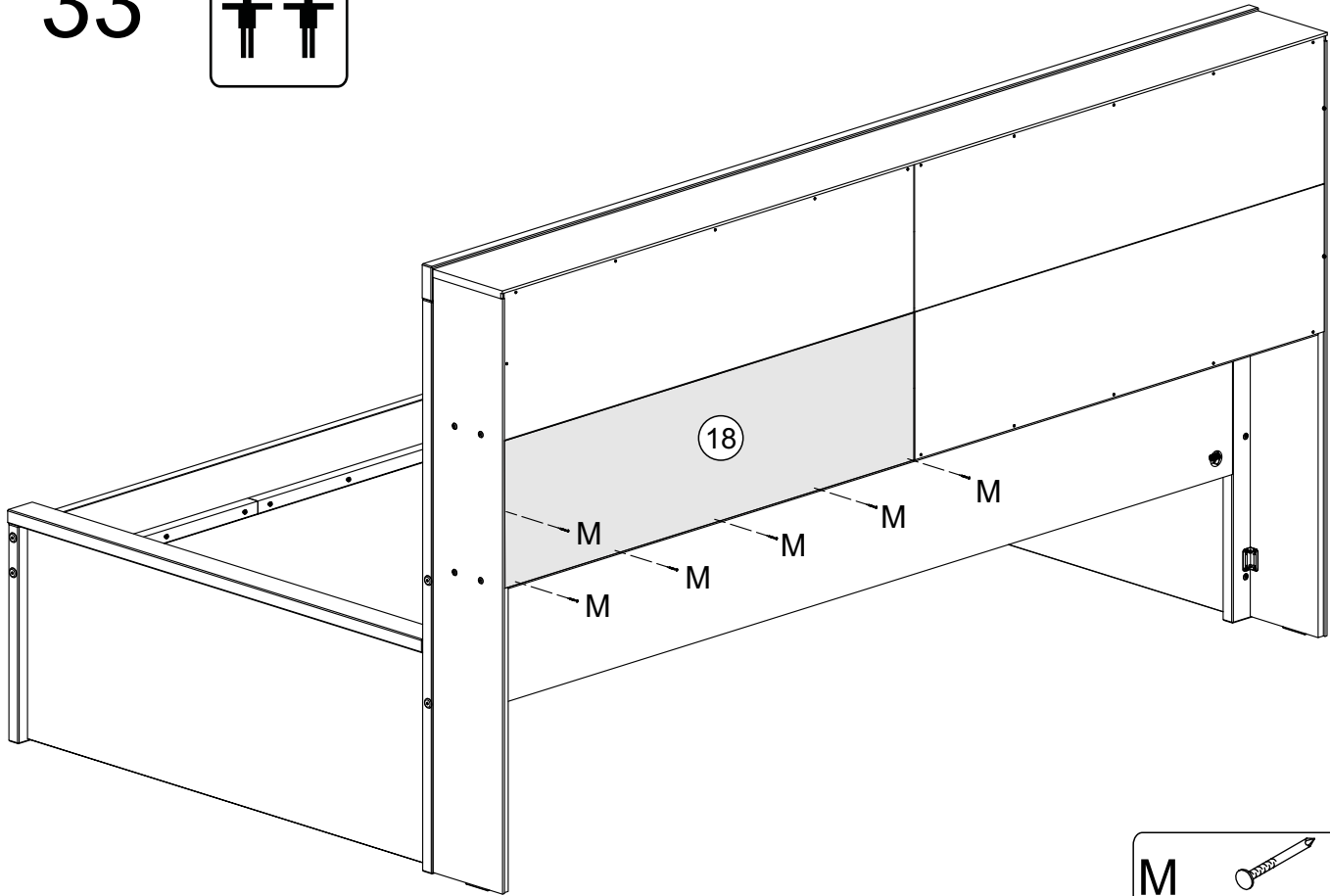
31



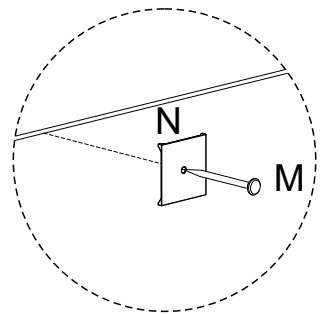
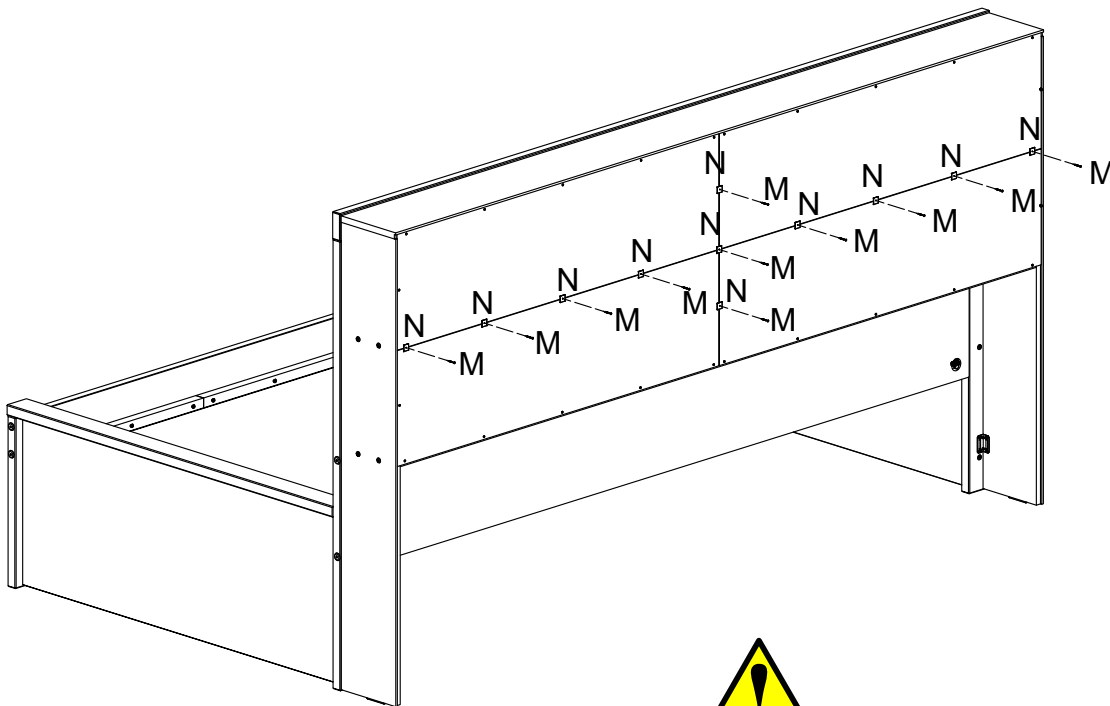
32



33



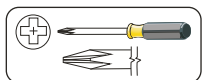
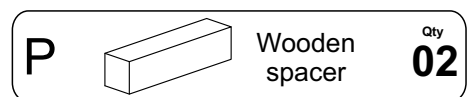
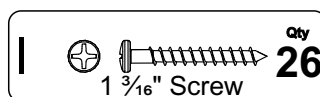
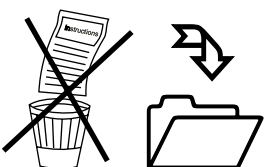
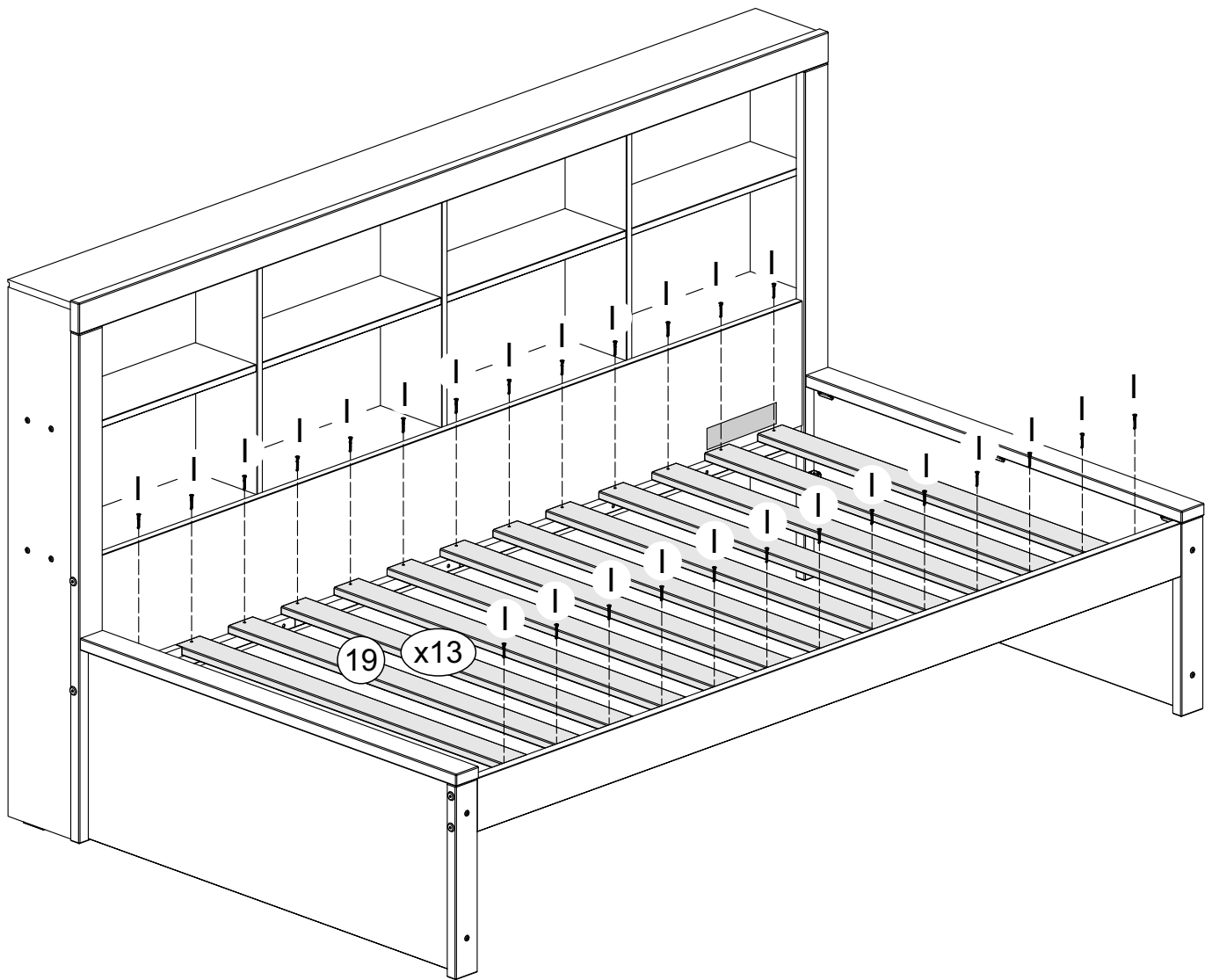
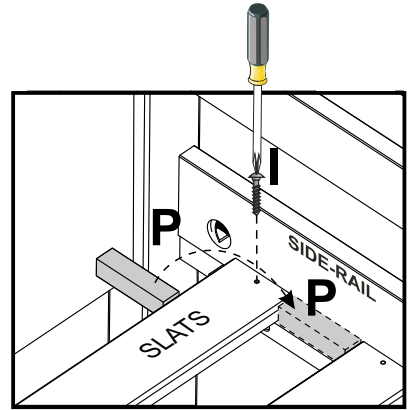
34



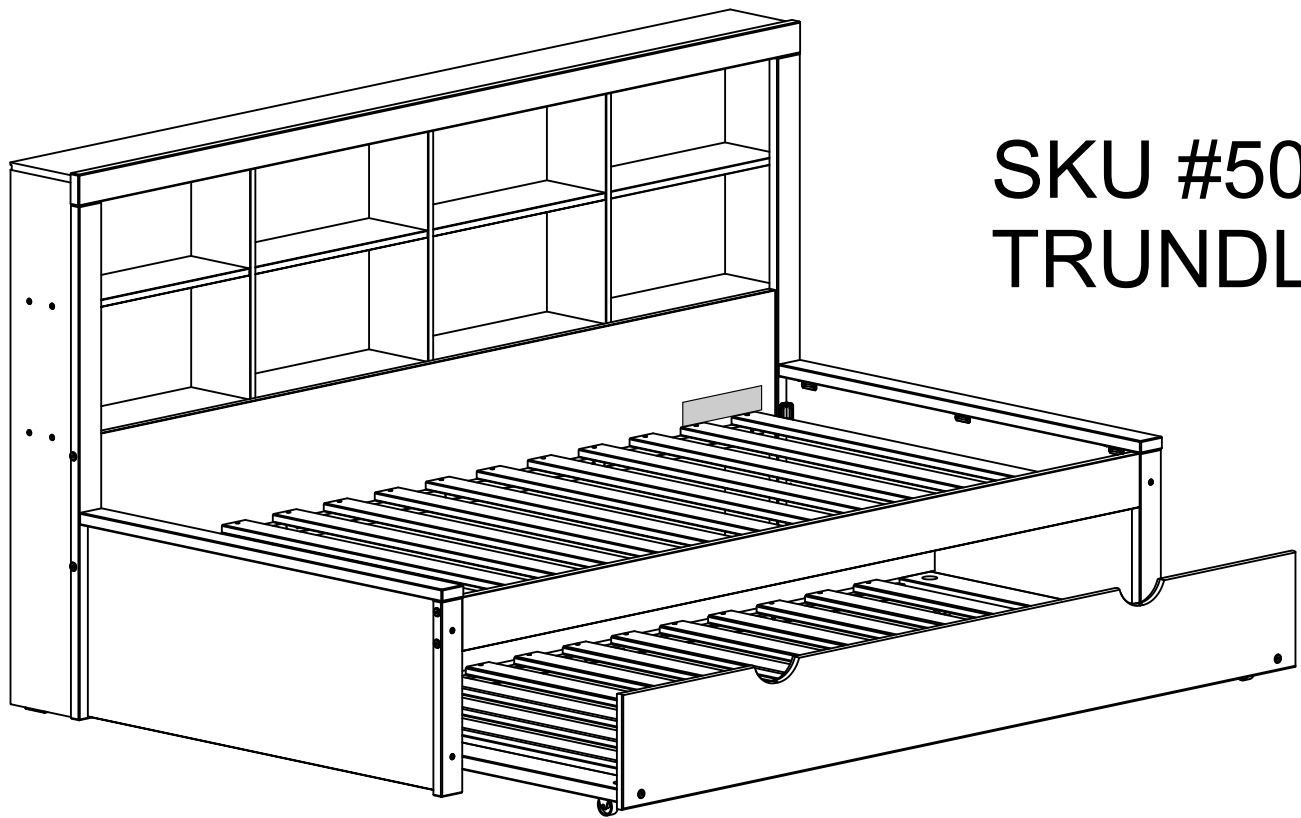
**USE THE METAL PLATES (N)
ON THE BACK PANELS CONNECTION !**

35

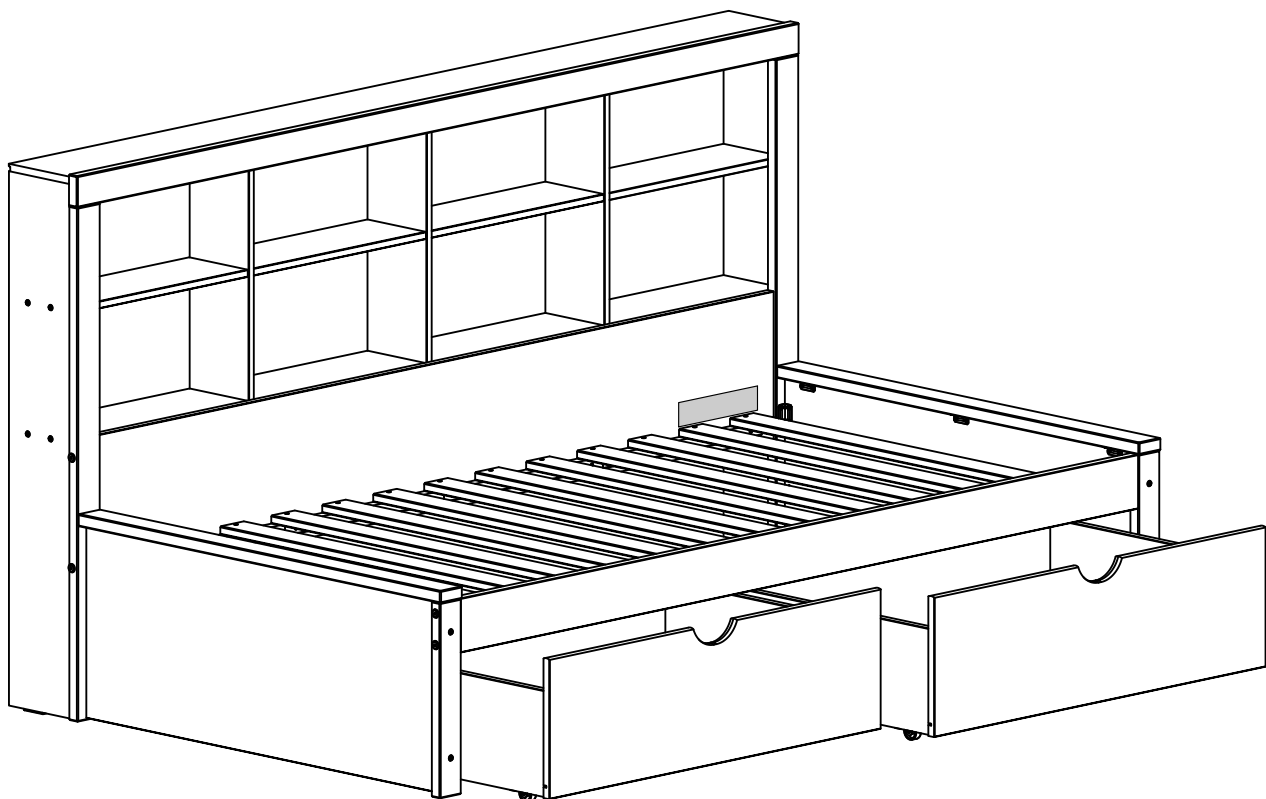
Attach the first slat using the wood spacer (P) at each end of the headboard.



OPTIONAL COMPONENTS



**SKU #503
TRUNDLE**



**SKU #505
DUAL UNDERBED DRAWERS**