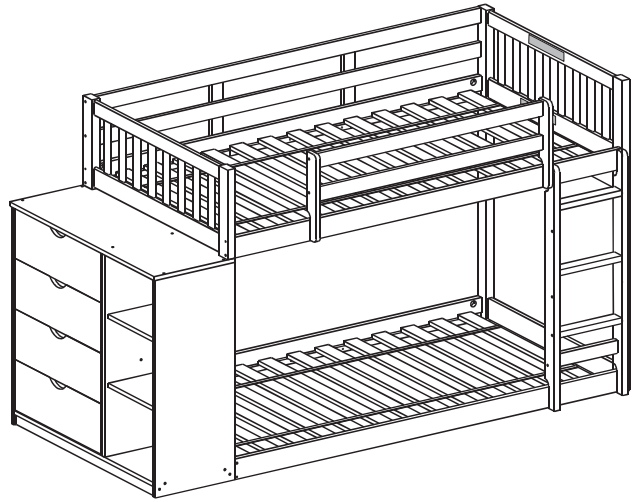


ASSEMBLY INSTRUCTIONS

TT 1600 MISSION CHEST BUNK BED

Thank you for purchasing this quality product. Be sure to check all packing materials carefully for small parts which may have come loose inside the carton during shipment. Separate, identify and count all parts and hardware. Compare with the parts list to be sure all parts are present.



**“DO NOT TIGHTEN SCREWS
UNTIL COMPLETELY ASSEMBLED”**

SIZE OF MATTRESS AND FOUNDATION (SUPPORT)

This bed is designed to use a twin mattress (37½”-38½”x74-75”) and bunkie board (37½”x74”). The total thickness must not exceed **8”** inches. Do not use mattress without the proper bunkie board of safe foundation.

Note: There must be at least **5”** inches from top surface of mattress to top edge or guardrails.

REPLACEMENT PARTS.

Replacement parts, including additional guardrails, may be obtained from place of purchase or original distributor.

TO OBTAIN PARTS, PLEASE CONTACT: **DONCO TRADING COMPANY - FORT WORTH, TEXAS**

SAFETY WARNINGS!

- 1- Follow the information on the warning label appearing on the upper bunk end structure and on the carton. Do not remove warning label from bed.
- 2- Always use the recommended size mattress or mattress support, or both, to help prevent the likelihood of entrapment or falls.
- 3- Surface of mattress must be at least 5 inches below the upper edge of guardrails.
- 4- Do not allow children under 6 years of age to use the upper bunk.
- 5- Prohibit more than one person on upper bunk.
- 6- Periodically check and ensure that the guardrail, ladder and other components are in their proper position free from damage, and that all connectors are tight.
- 7- Do not allow horseplay on or under the bed and prohibit jumping on the bed.
- 8- Always use the ladder for entering and leaving the upper bunk.
- 9- Do not use substitute parts. Contact distributor or dealer for replacement parts.
- 10- Use of a night light may provide added safety precaution for a child using the upper bunk.
- 11- If the bunk bed will be placed next to a wall, the guardrail that runs the full length of the bed should be placed against the wall to prevent entrapment between the bed and the wall.
- 12- Always use guardrails on both long sides of the upper bunk.
- 13- The use of water or sleep flotation mattresses is prohibited.
- 14- Keep these instructions for future reference.
- 15- Strangulation Hazard - Never attach or hang items to any part of the bunk bed that are not designed for use with the bed: for example, but not limited to, hooks, belts, and jump ropes, etc.

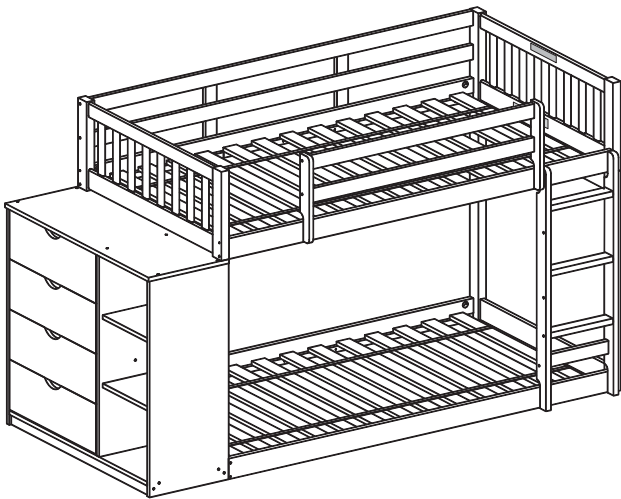


IMPORTANT: PLEASE READ INSTRUCTIONS BEFORE STARTING THE ASSEMBLY

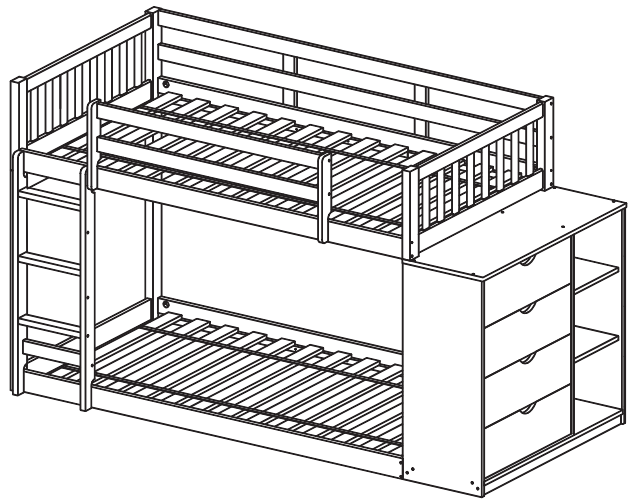
ASSEMBLY INSTRUCTIONS

TT 1600 MISSION CHEST BUNK BED

OPTION
LEFT SIDE



OPTION
RIGTH SIDE



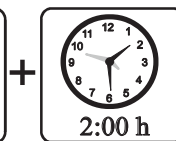
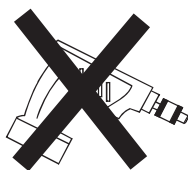
Thank you for purchasing this quality product. Be sure to check all packing material carefully for small parts which may have come loose inside the carton during shipment. Separate, identify and count all parts and hardware.

Compare with the parts list to be sure all parts are present.

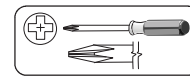
"DO NOT TIGHTEN SCREWS UNTIL COMPLETELY ASSEMBLED"



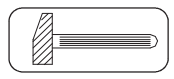
* Use of power tool to assemble this product will invalidate any claim and damage this product making unsafe !!!
* Please assemble on a clean soft surface to avoid damage.



Tools Required



(Not included)



(Not included)

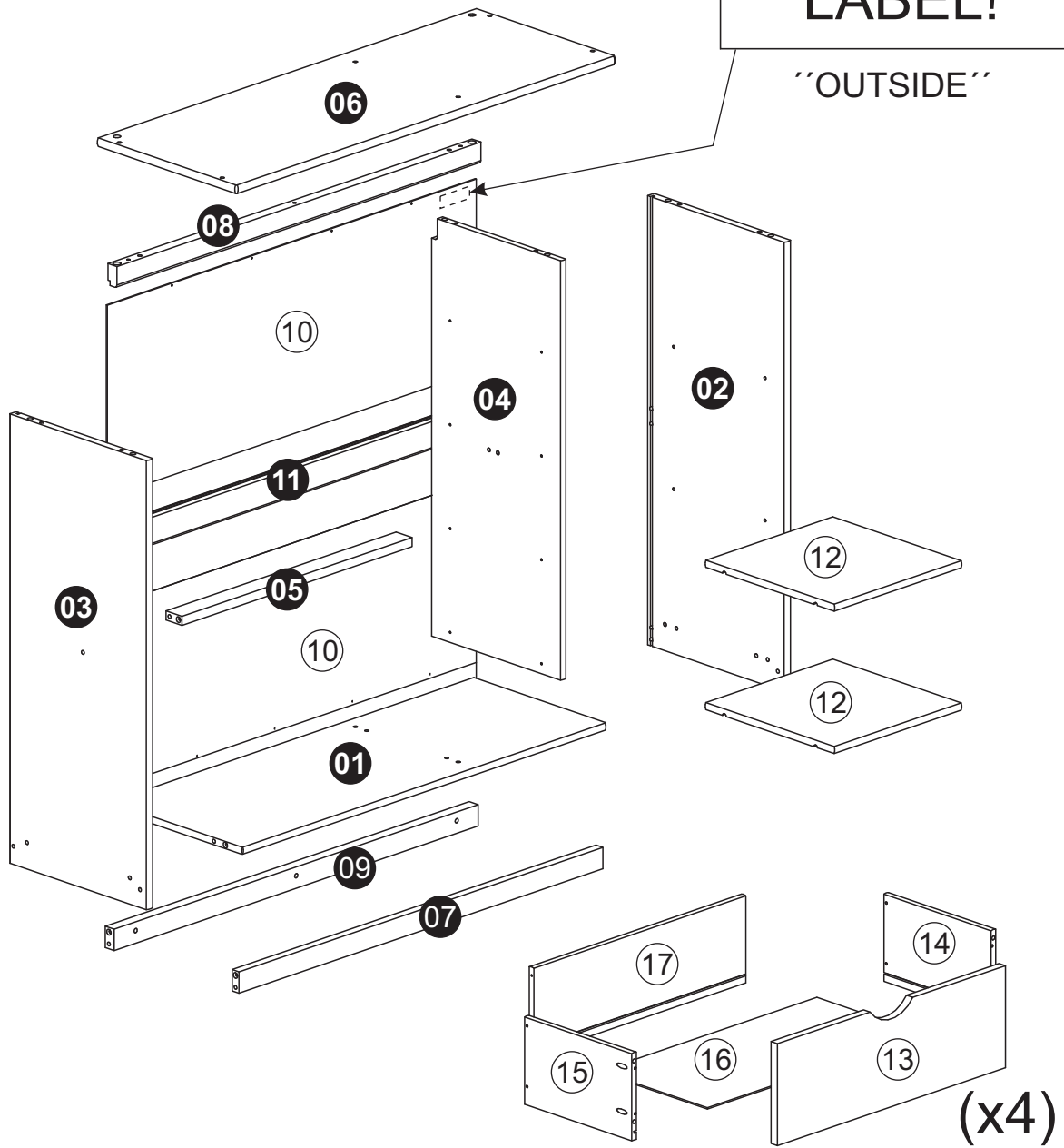
IMPORTANT:

PLEASE READ INSTRUCTION BEFORE STARTING THE ASSEMBLY

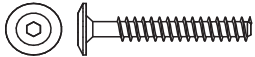
Part List - TT 1600 - CHEST 4 DRAWERS


WARNING LABEL!


“OUTSIDE”




Identifying the Hardware-Identify the hardware using the illustrations below.

F  Qty **18**

G  Qty **32**

H  Qty **03**

i  Qty **04**

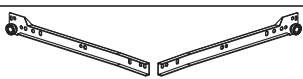
L  Qty **01**

N  Qty **40**

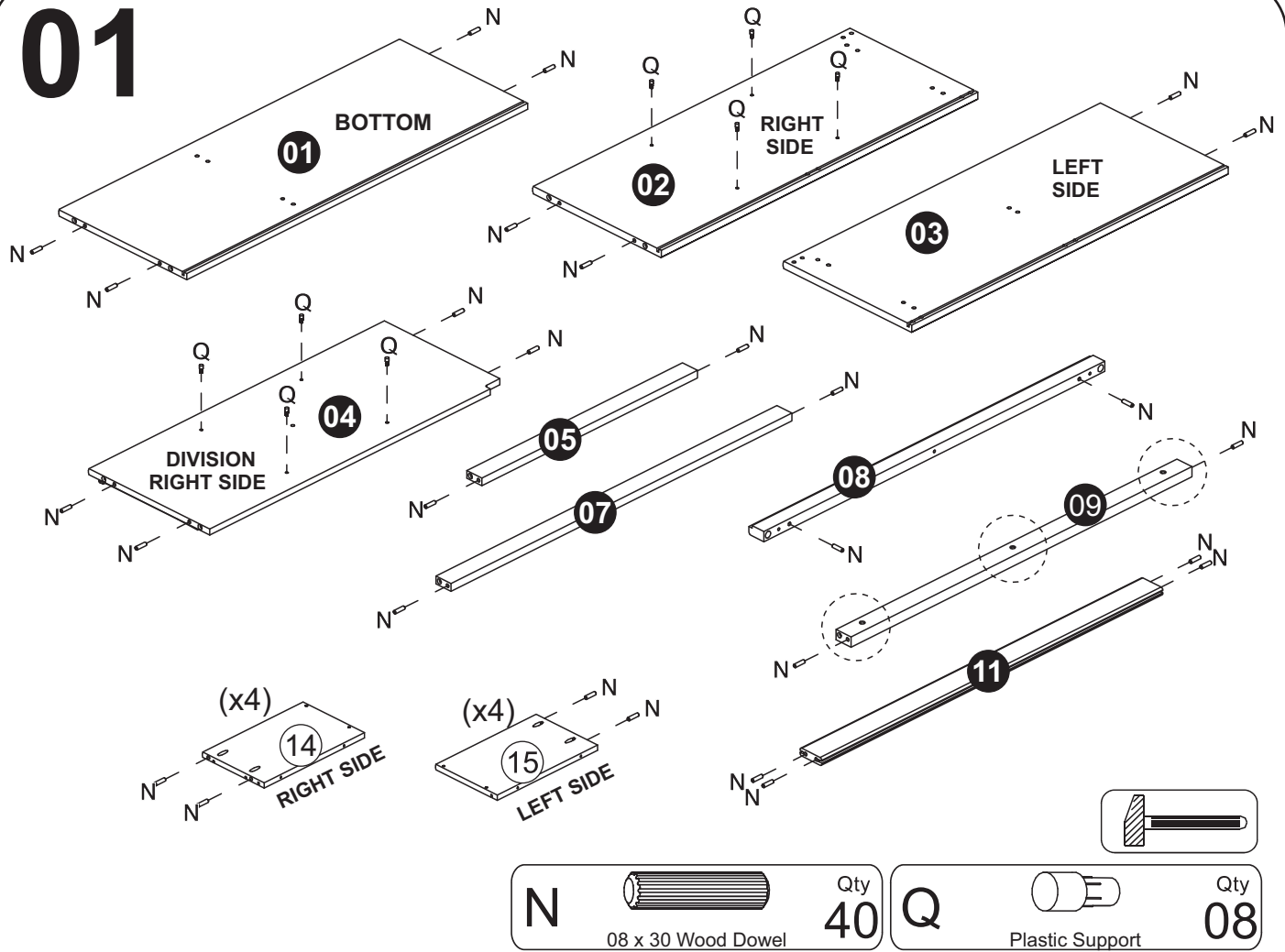
Q  Qty **08**

R  Qty **32**

S  Qty **04**

T  Qty **04**

01

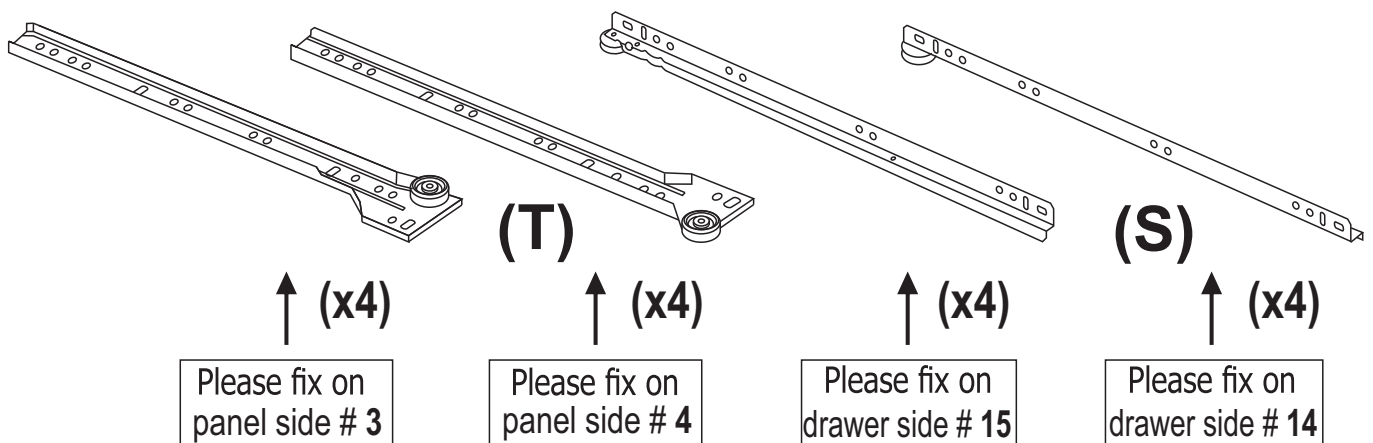


SET OF METAL SLIDES FOR THE DRAWERS

The metal glides hardware are all in one packed. Please separate the left and right pieces like a pair.

-The glides # T are used on chest panel side and has a left and right pieces.

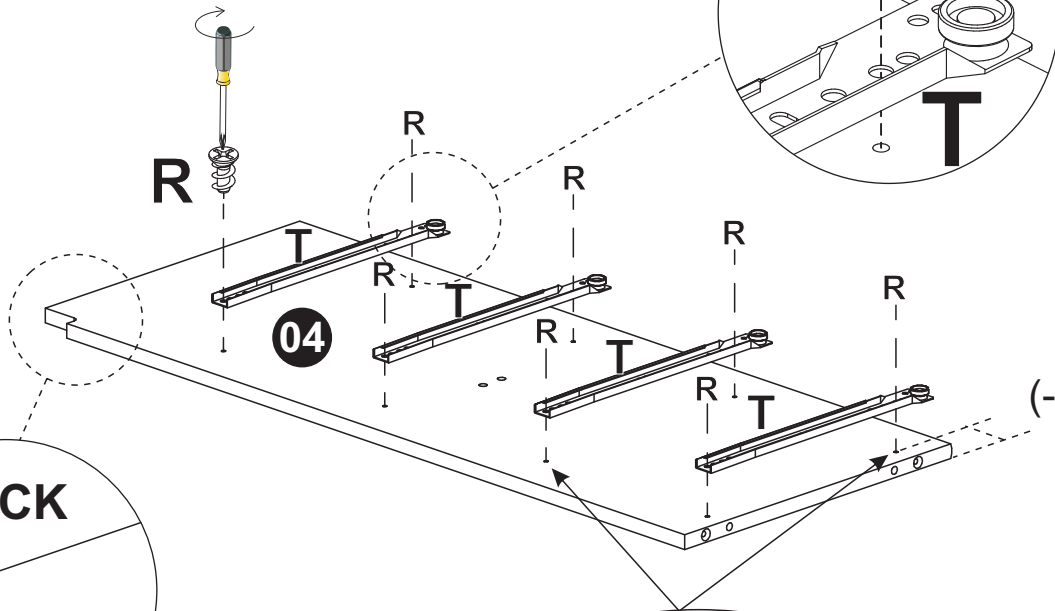
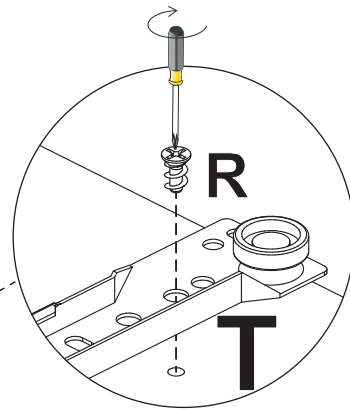
-The glides # S are used on drawers side, also has a left and right pieces.



02



The wheel to the front!

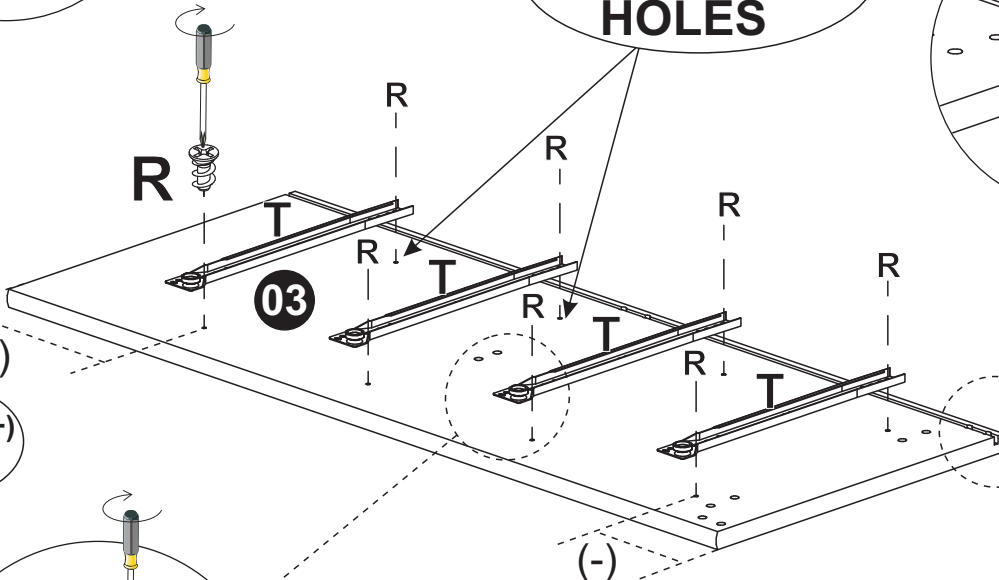


Space (-)
Bottom

BACK

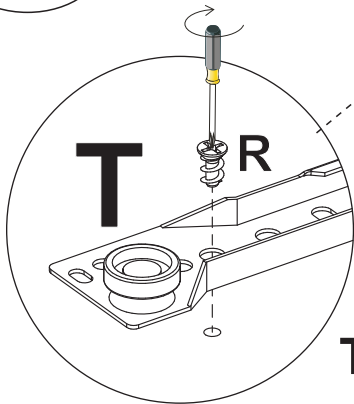
PRE-DRILLED
HOLES

BACK

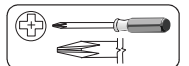


Space (+)
TOP

Space (-)
Bottom



The wheel to the front!



R



6,0x10 Screw

Qty
16

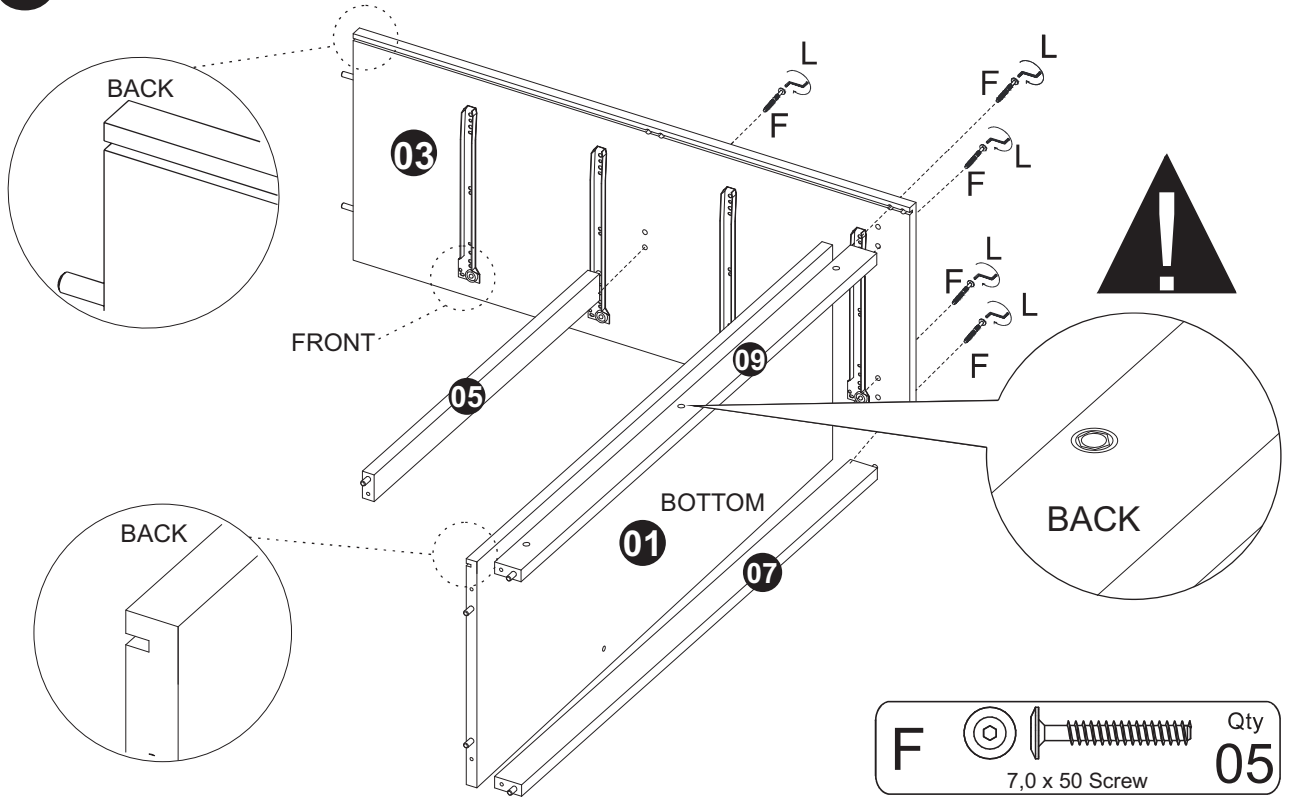
T



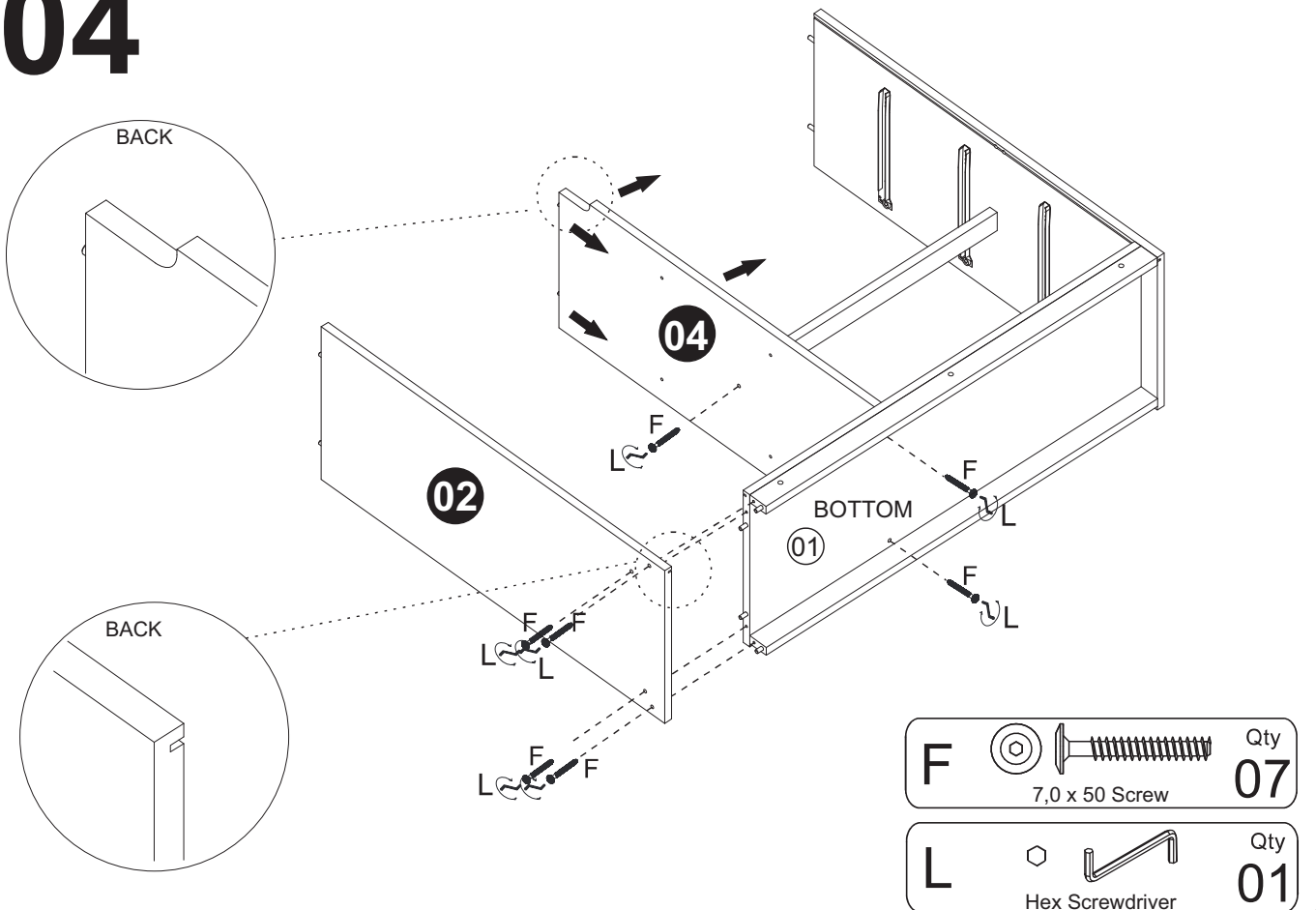
Drawer Runner 300mm

Qty
04

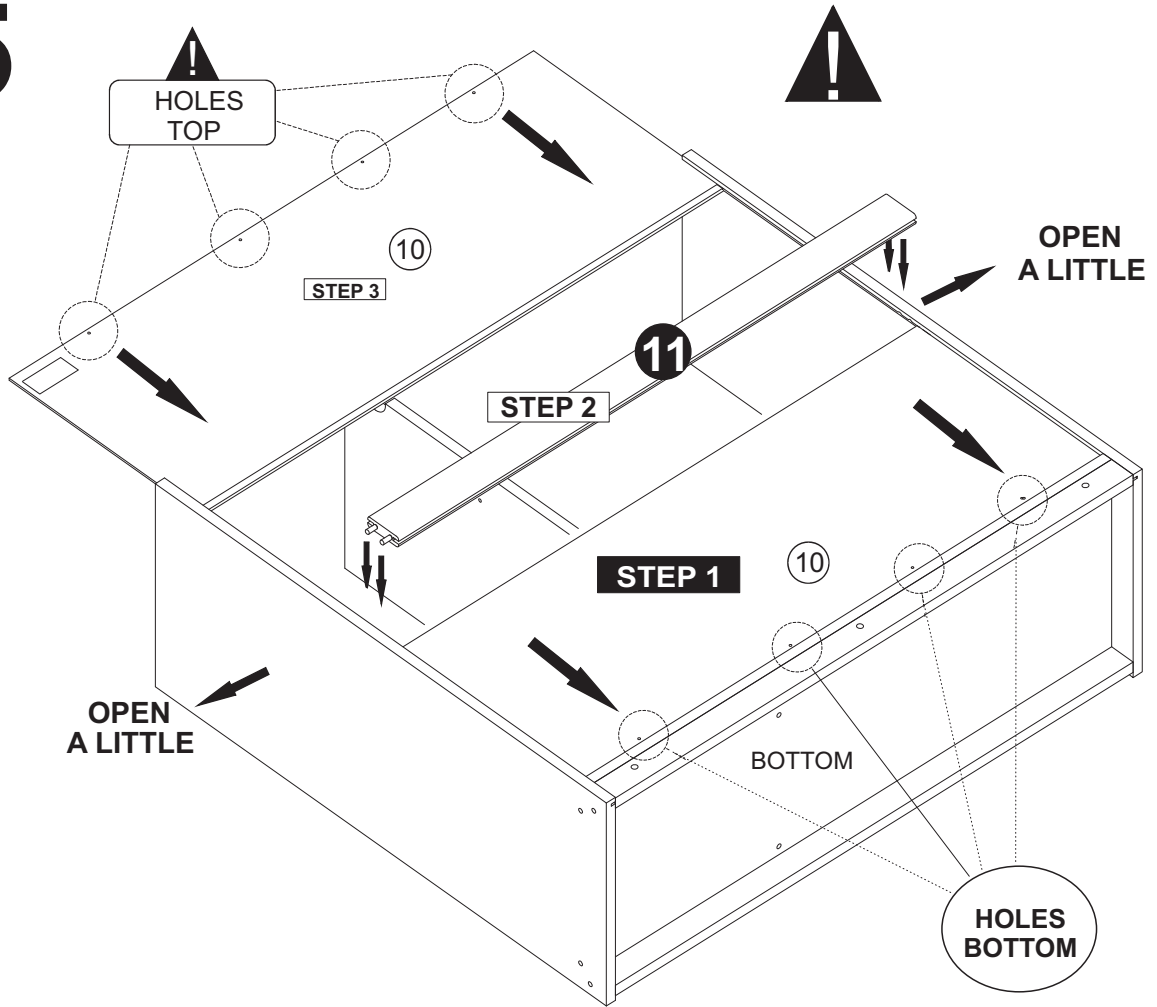
03



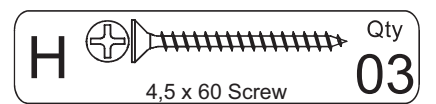
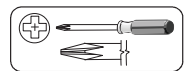
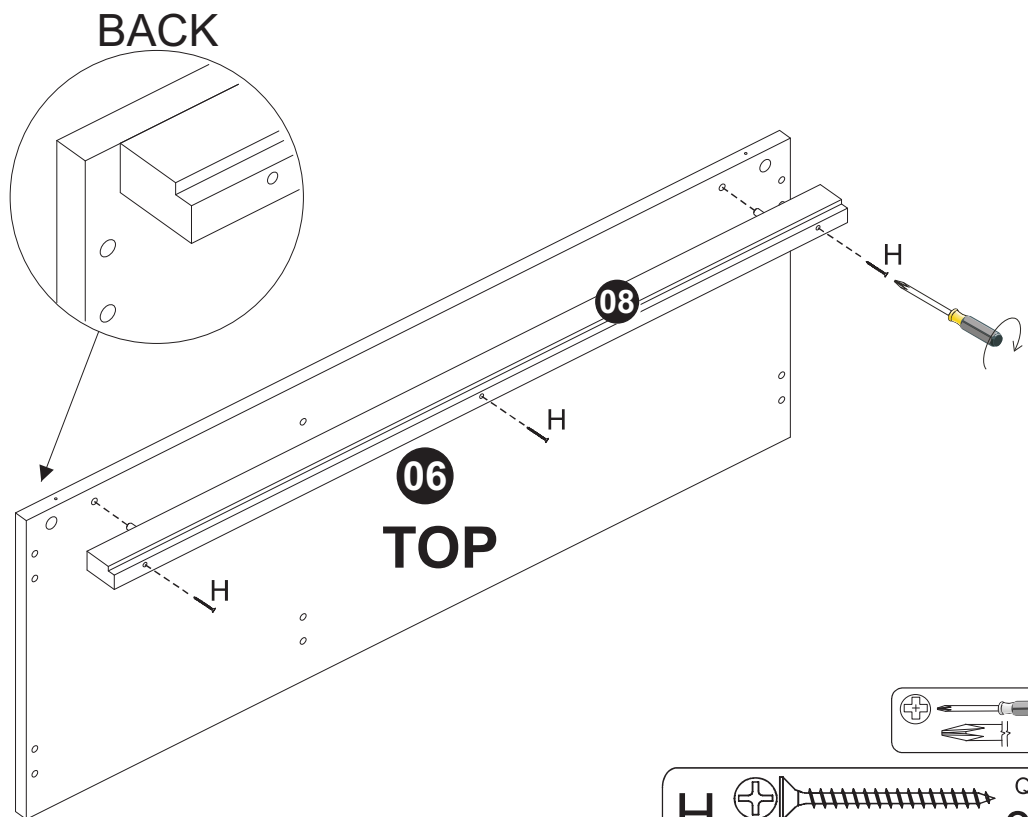
04



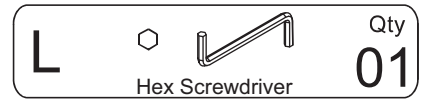
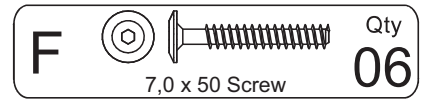
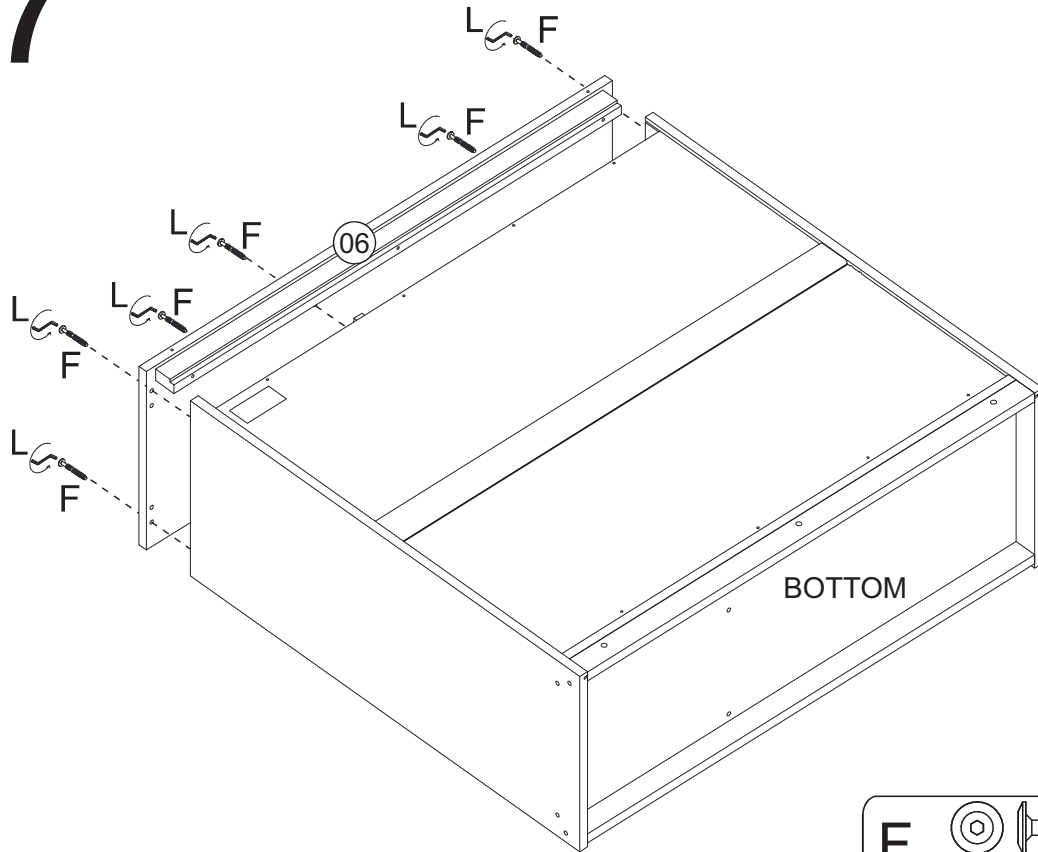
05



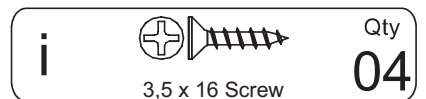
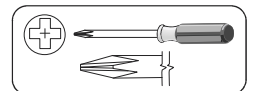
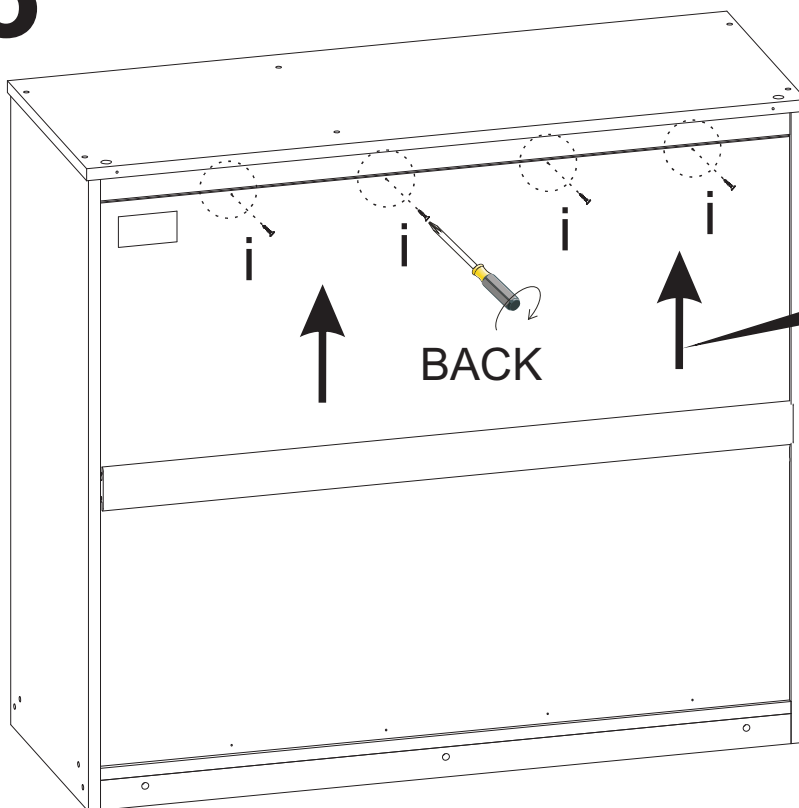
06



07

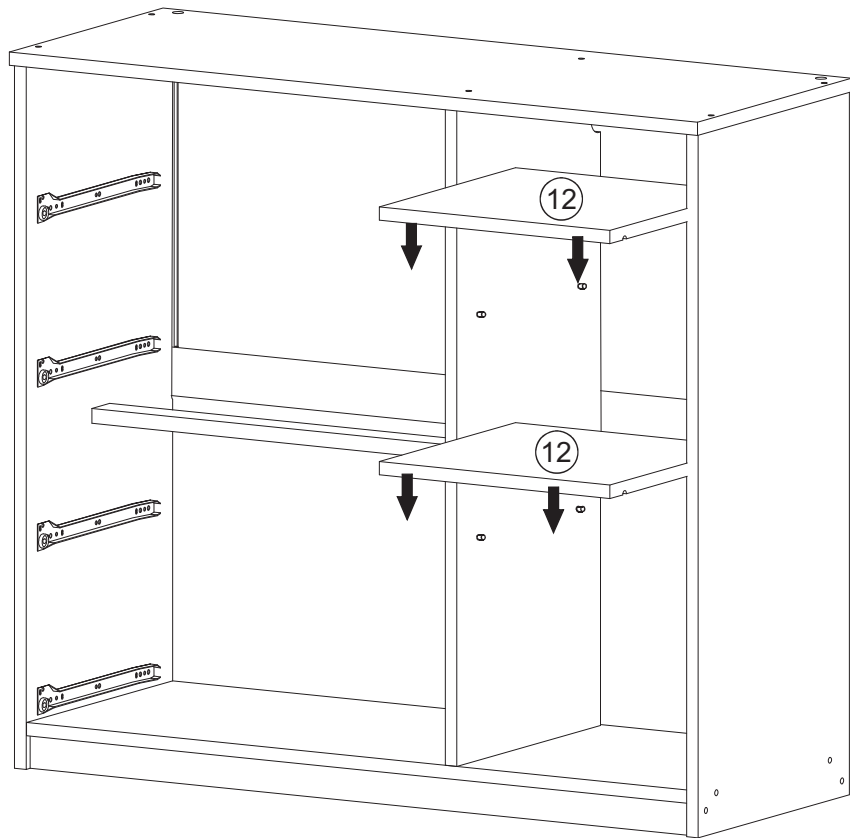


08



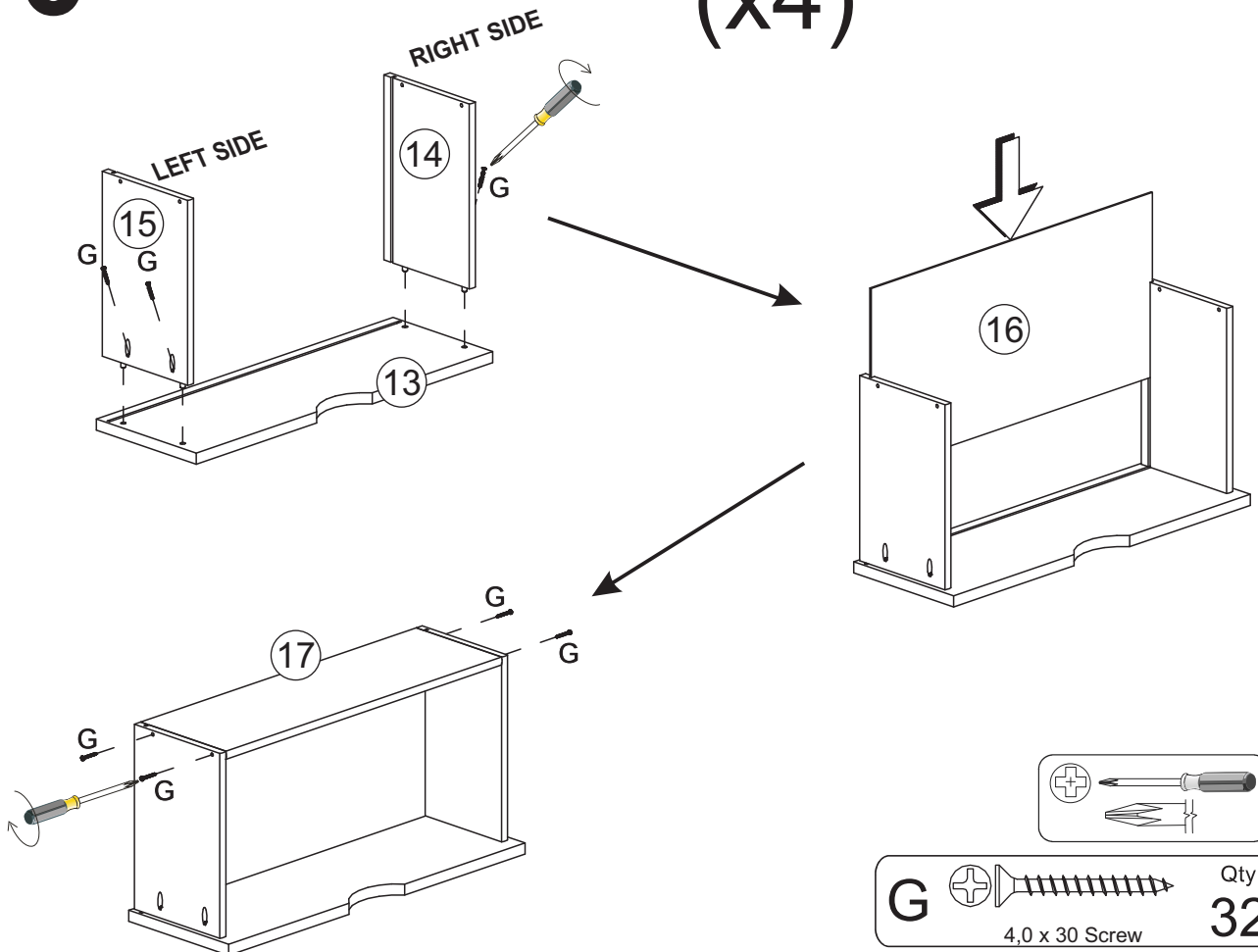
09

FRONT



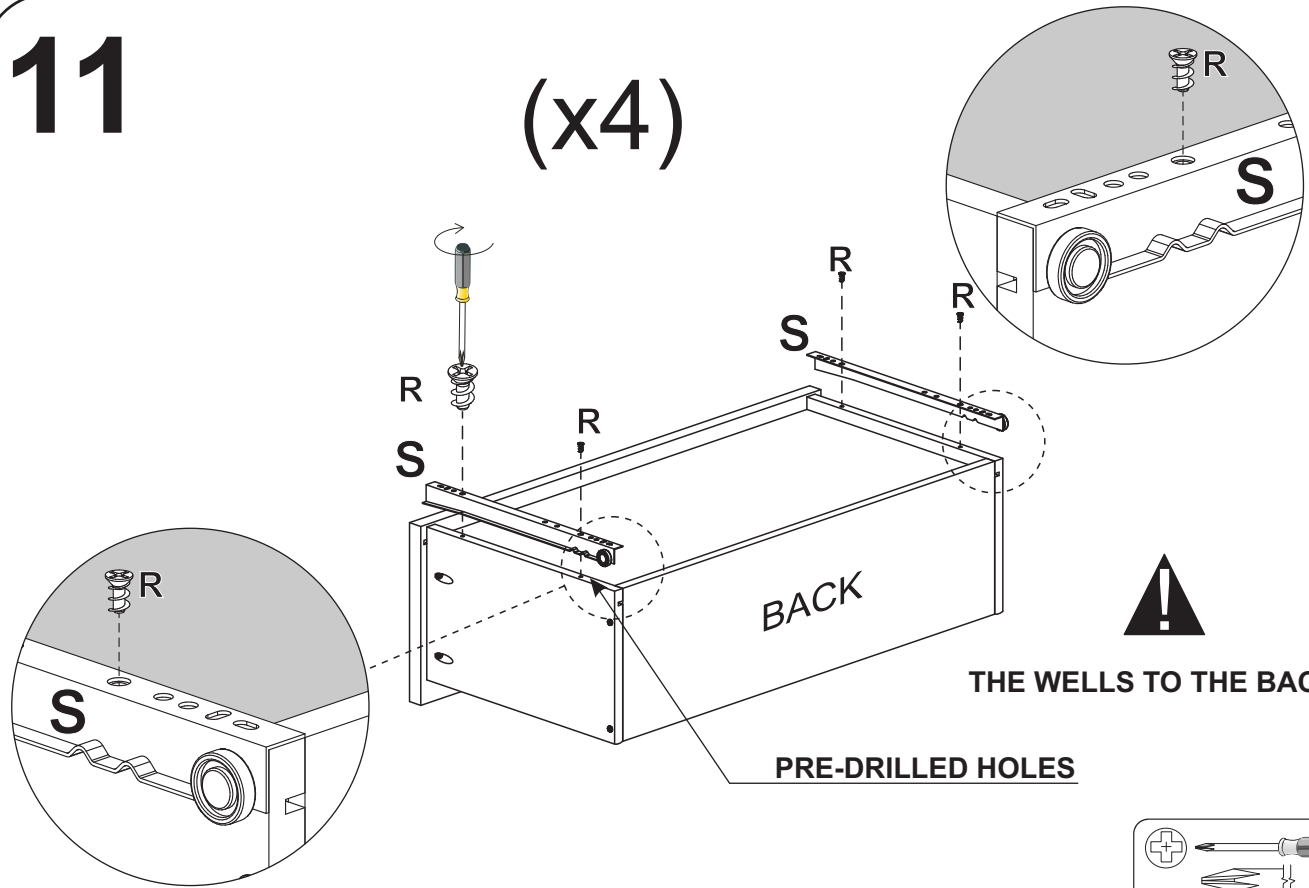
10 DRAWERS

(x4)



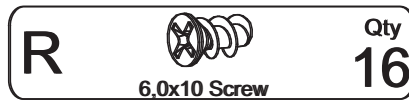
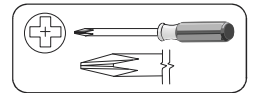
11

(x4)

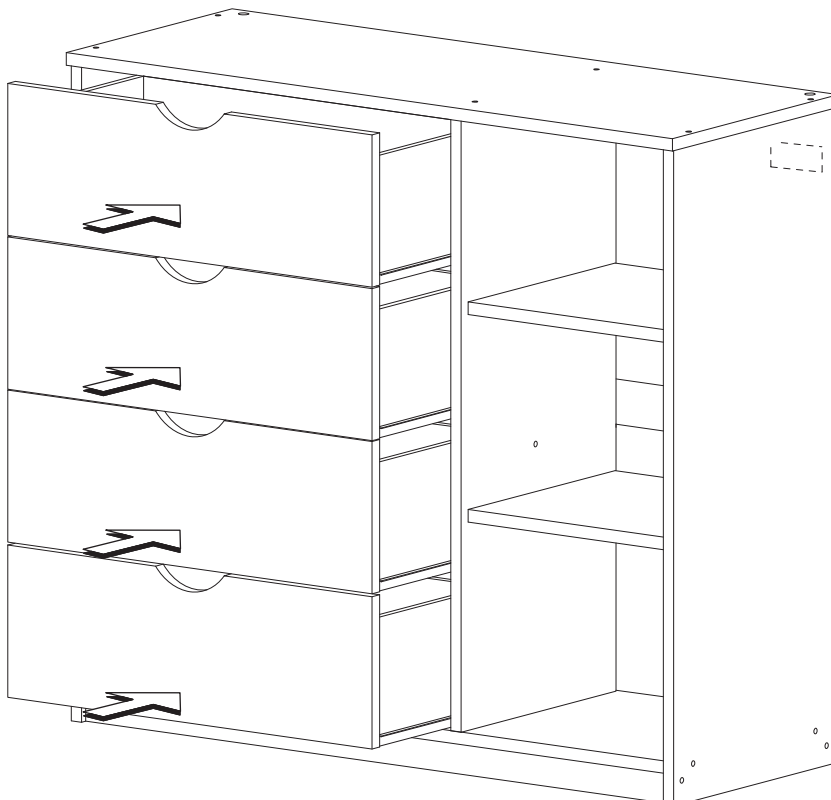


THE WELLS TO THE BACK

PRE-DRILLED HOLES



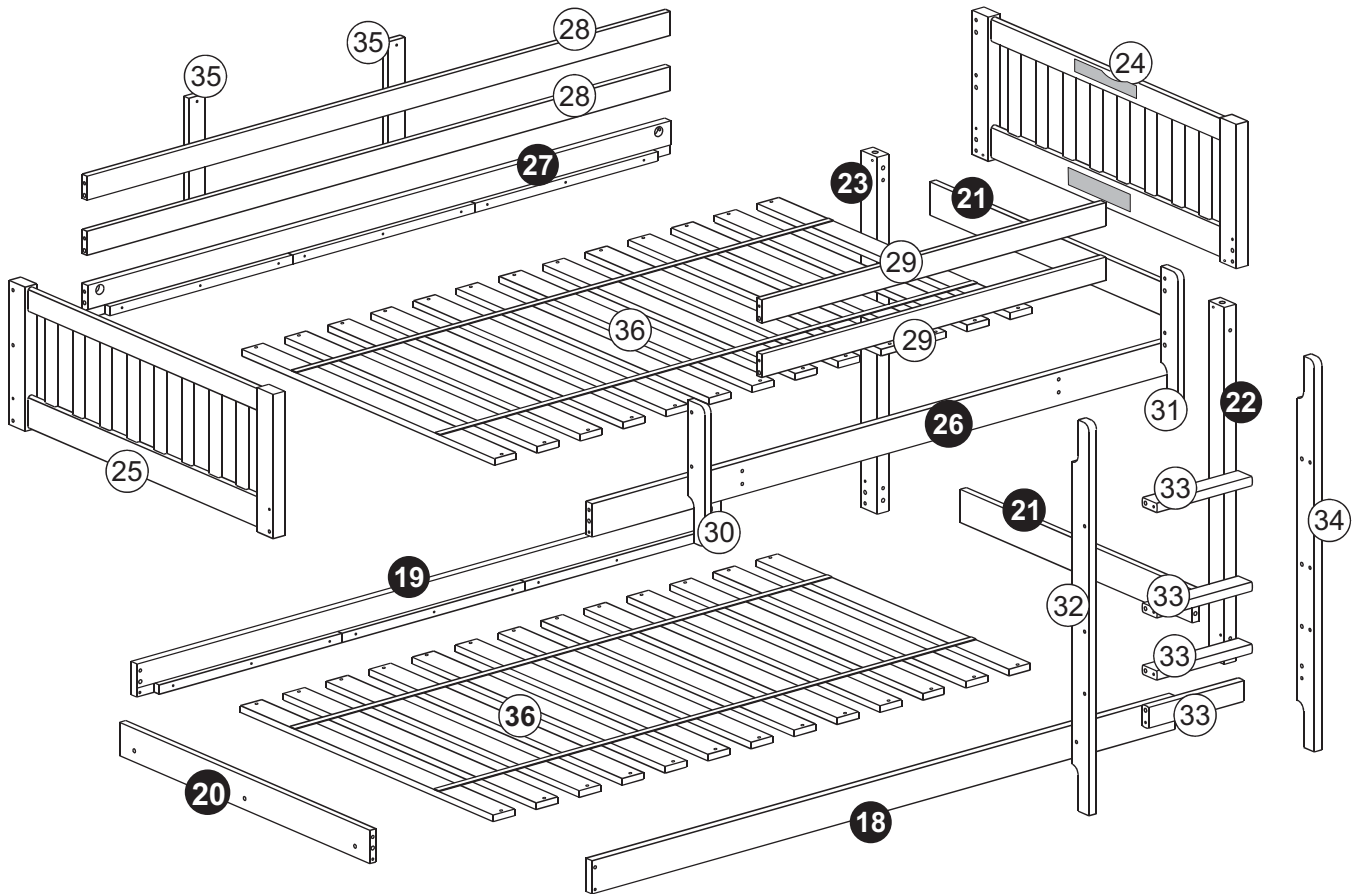
12



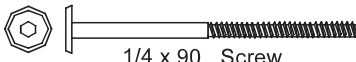

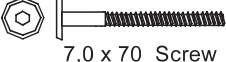
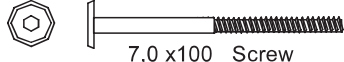

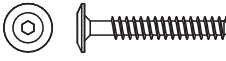





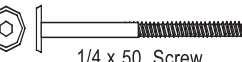


SAFETY NOTICE
TO AVOID ACCIDENTS,
IT IS PROHIBITED TO USE
CHEST IF IT IS NOT
ATTACHED TO THE BUNK BED



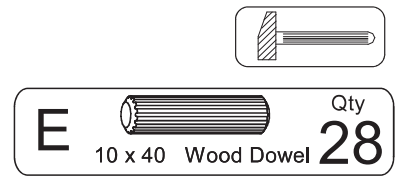
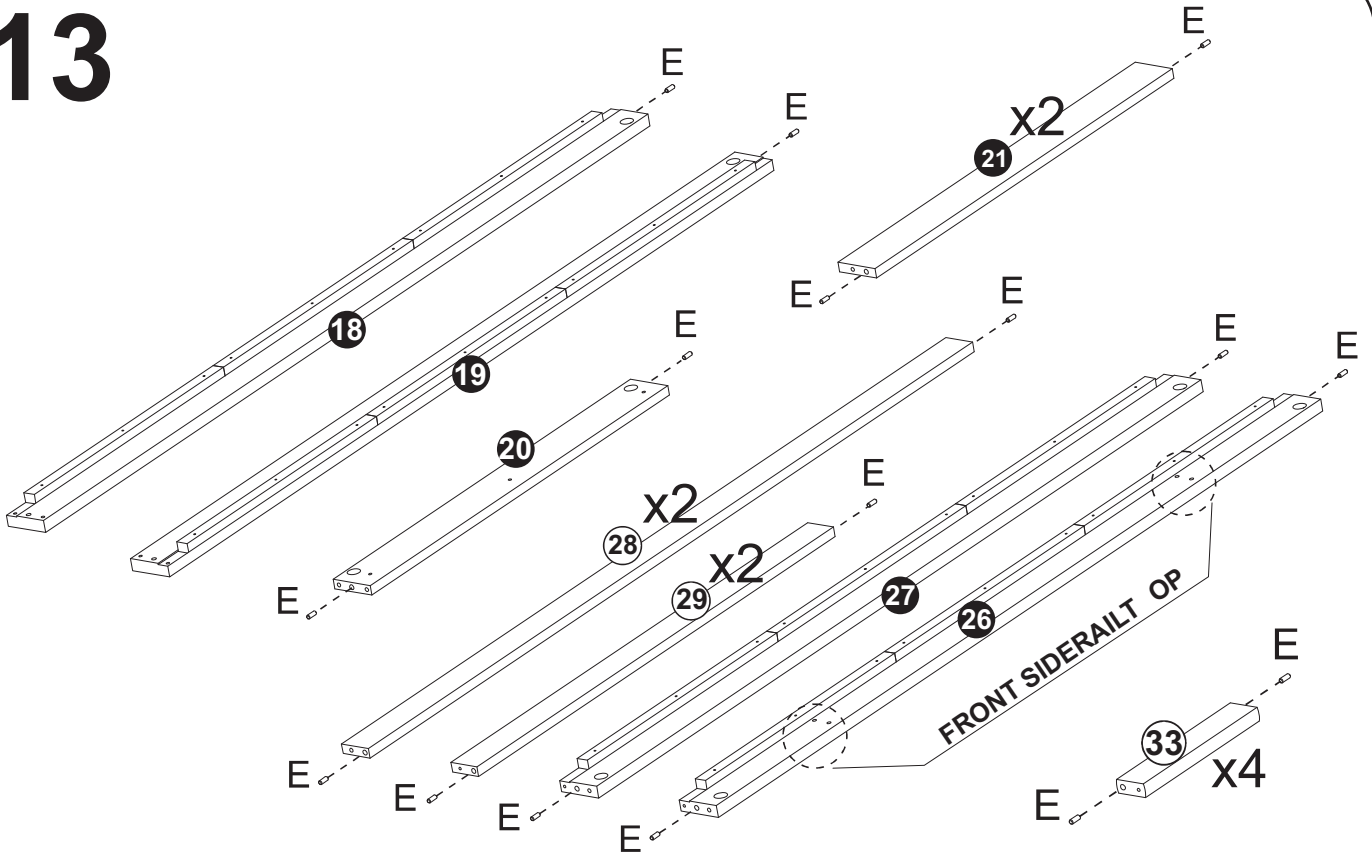
Part List - TT 1600 MISSION - BUNK BED



Identifying the Hardware-Identify the hardware using the illustrations below.

A  Qty 08	B  Half Moon Qty 08	C  Qty 12
D  Qty 04	E  Qty 28	F  Qty 16
G  Qty 66	i  Qty 12	J  Qty 04
K  Qty 04	L  Qty 01	M  Qty 03
O  Qty 04	P  Qty 04	

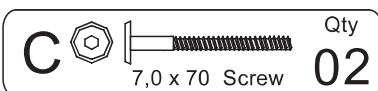
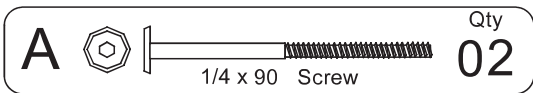
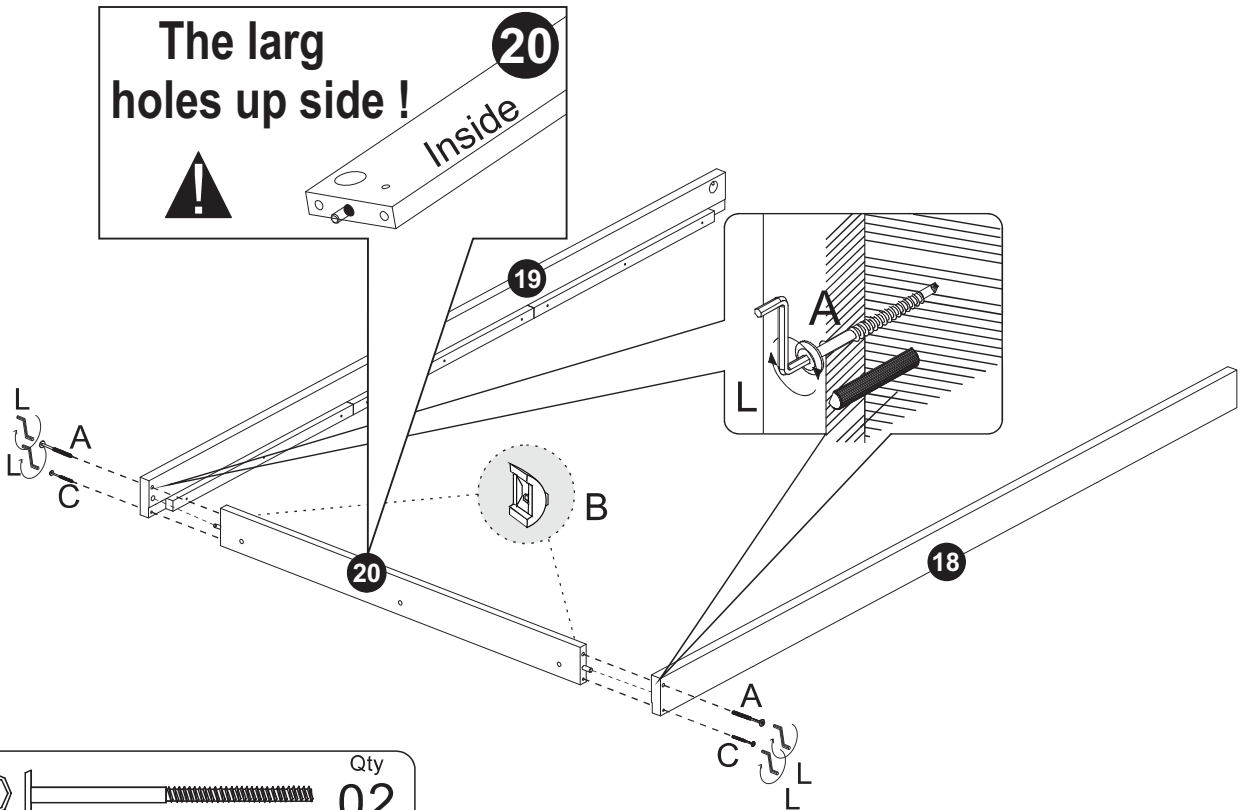
13



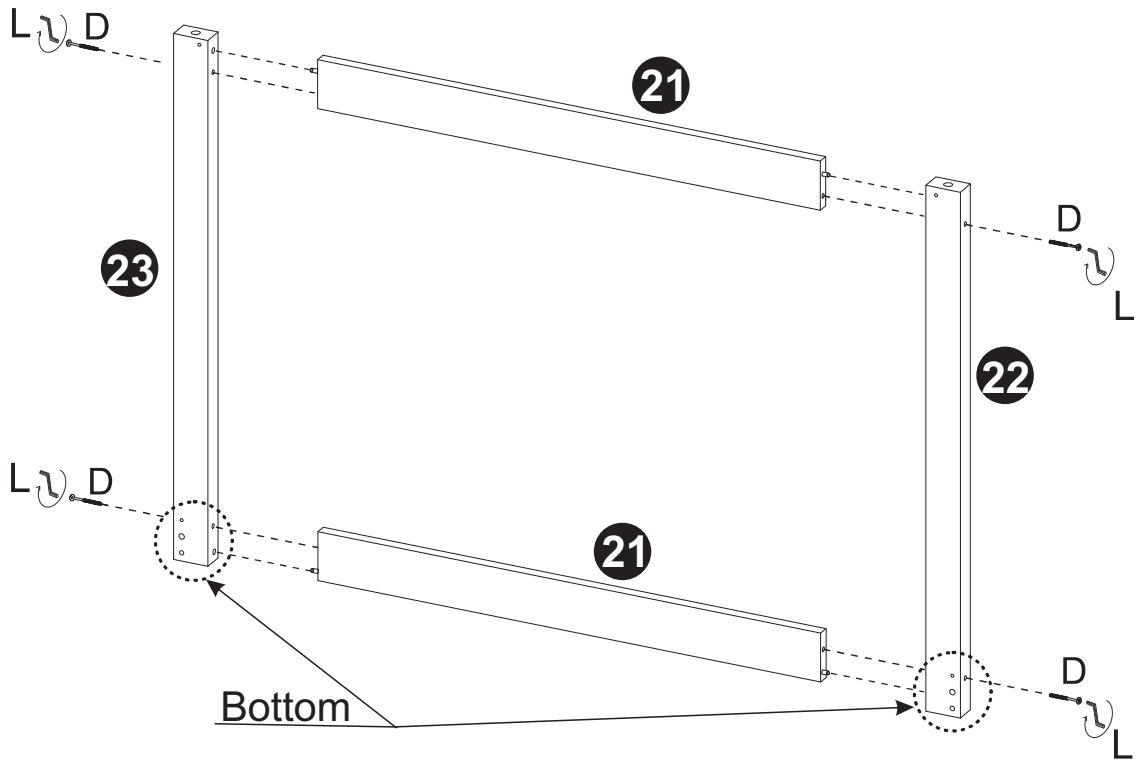
14


The larg
holes up side !

20
Inside



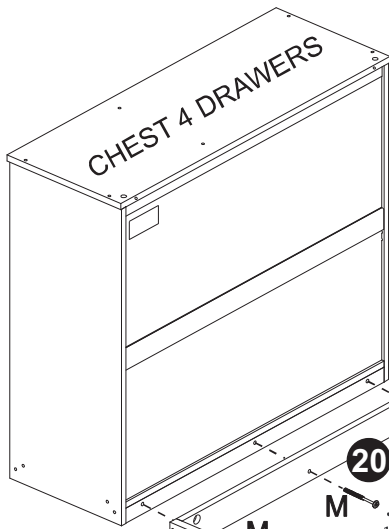
15



D  7,0 x100 Screw Qty **04**


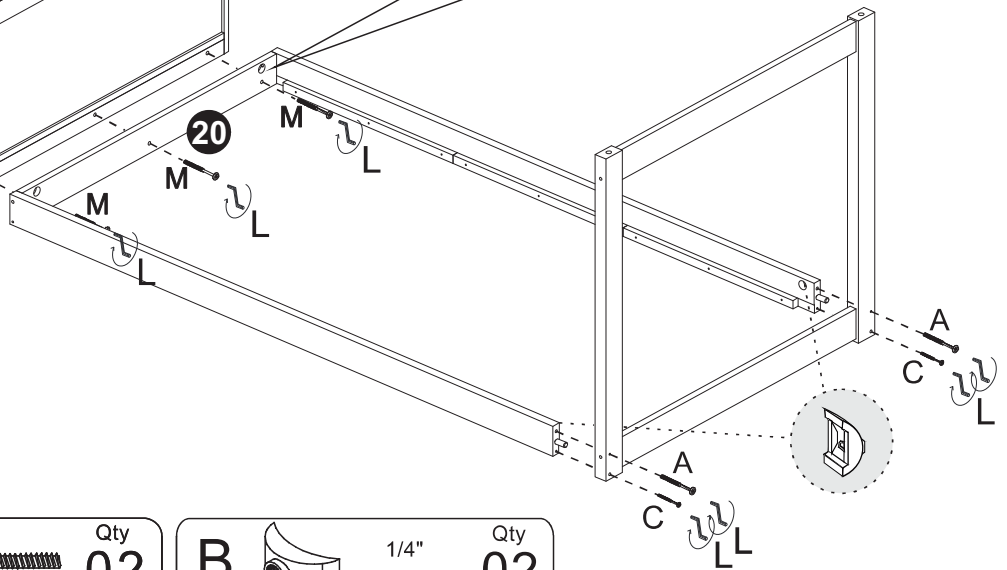
L  Hex Screwdriver Qty **01**


16





**The larg
holes up side !**


20
Inside

A  1/4 x 90 Screw Qty **02**

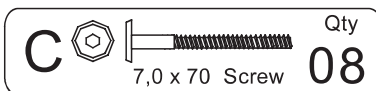
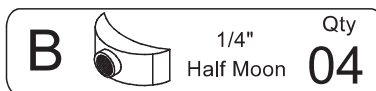
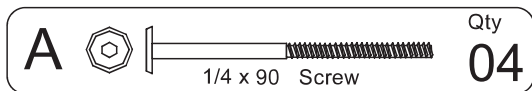
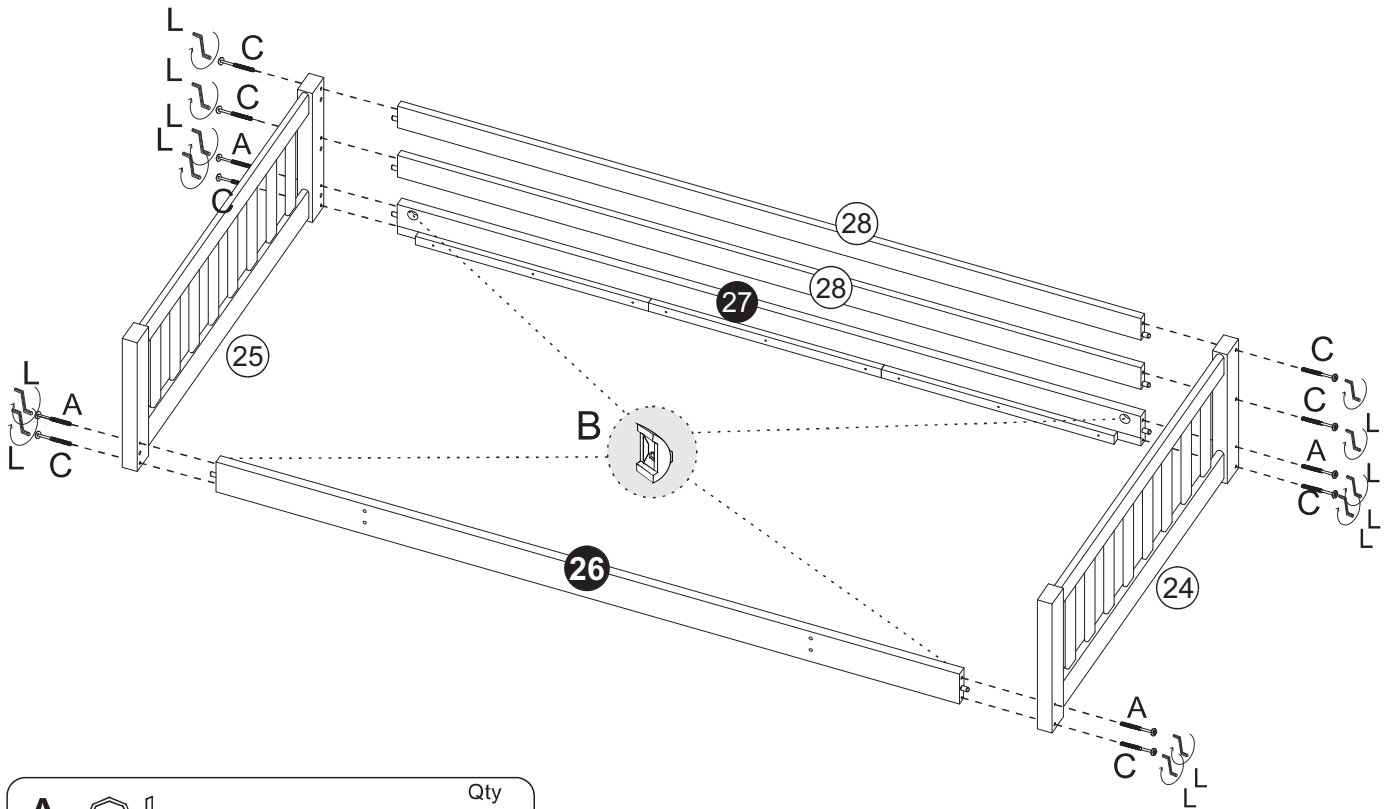
B  1/4" Half Moon Qty **02**

C  7,0 x 70 Screw Qty **02**

M  1/4 x 50 Screw Qty **03**

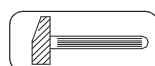
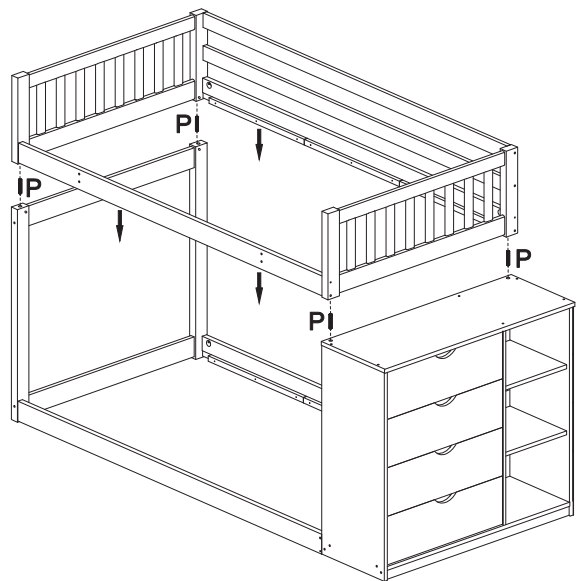
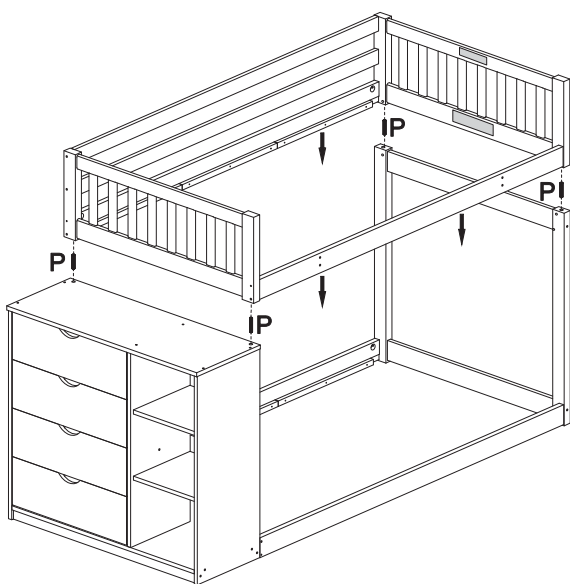
L  Hex Screwdriver Qty **01**

17



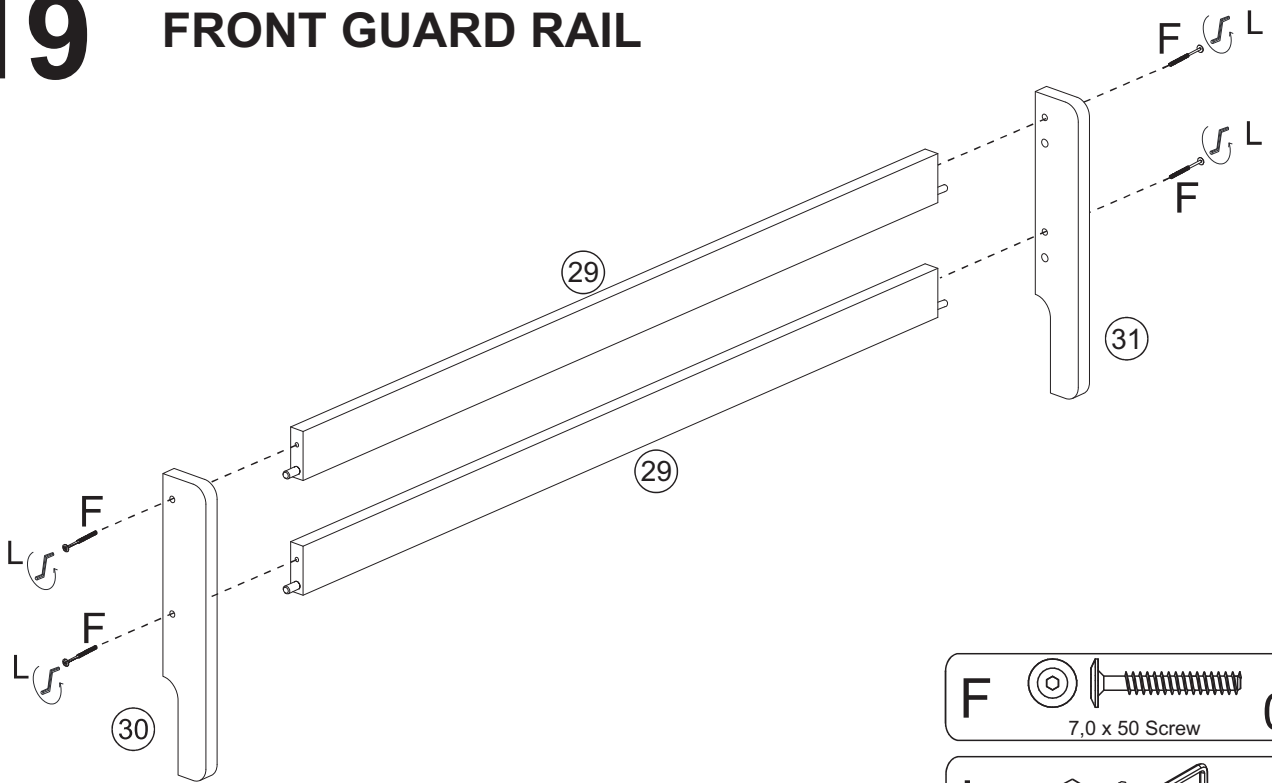
18

ATTENTION 
Option chest left side or right side.



19

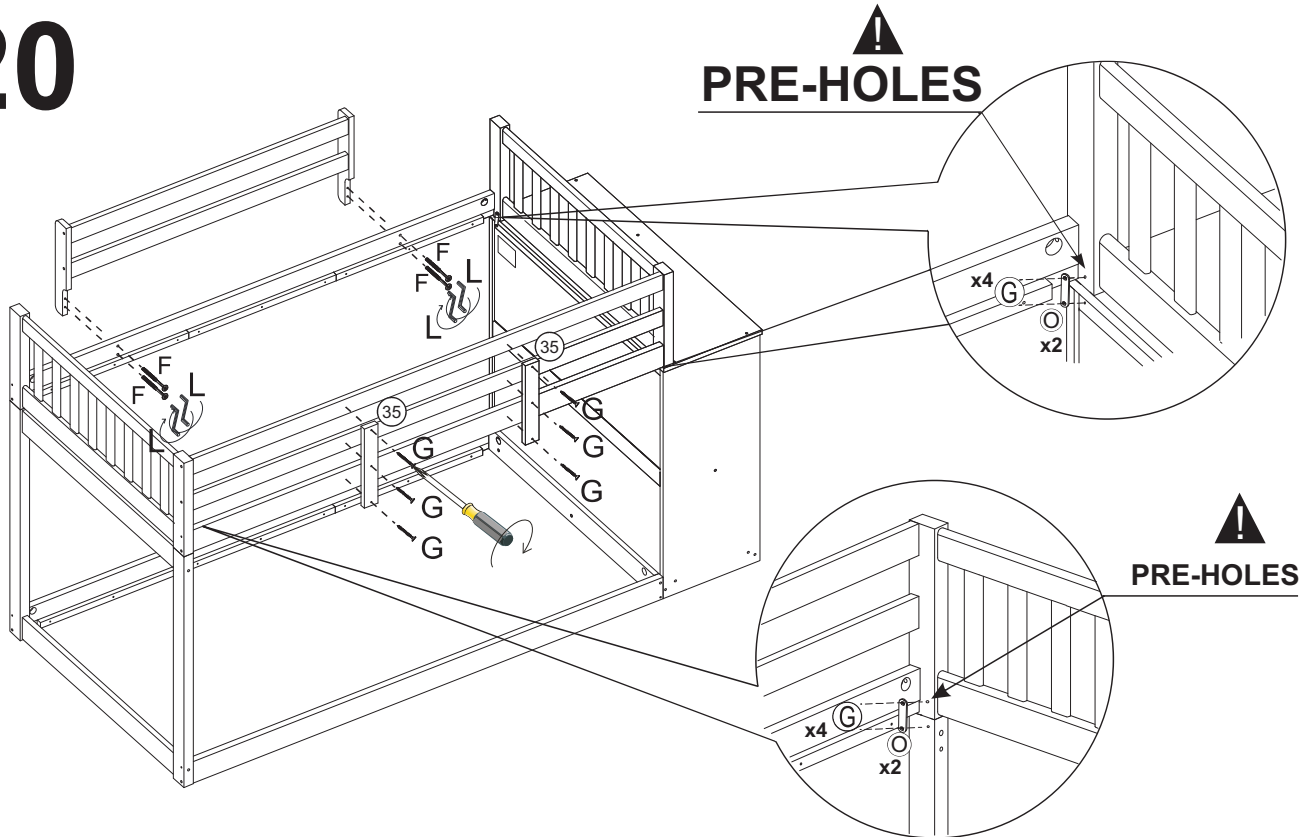
FRONT GUARD RAIL



F		Qty
	7,0 x 50 Screw	04
L		Qty
	Hex Screwdriver	01

20

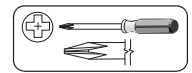
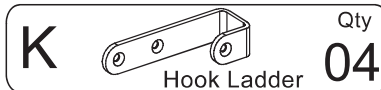
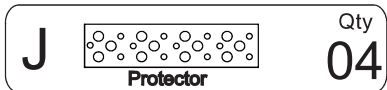
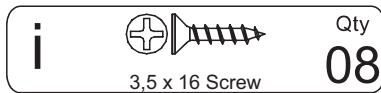
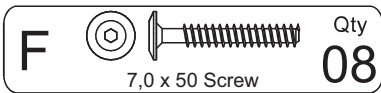
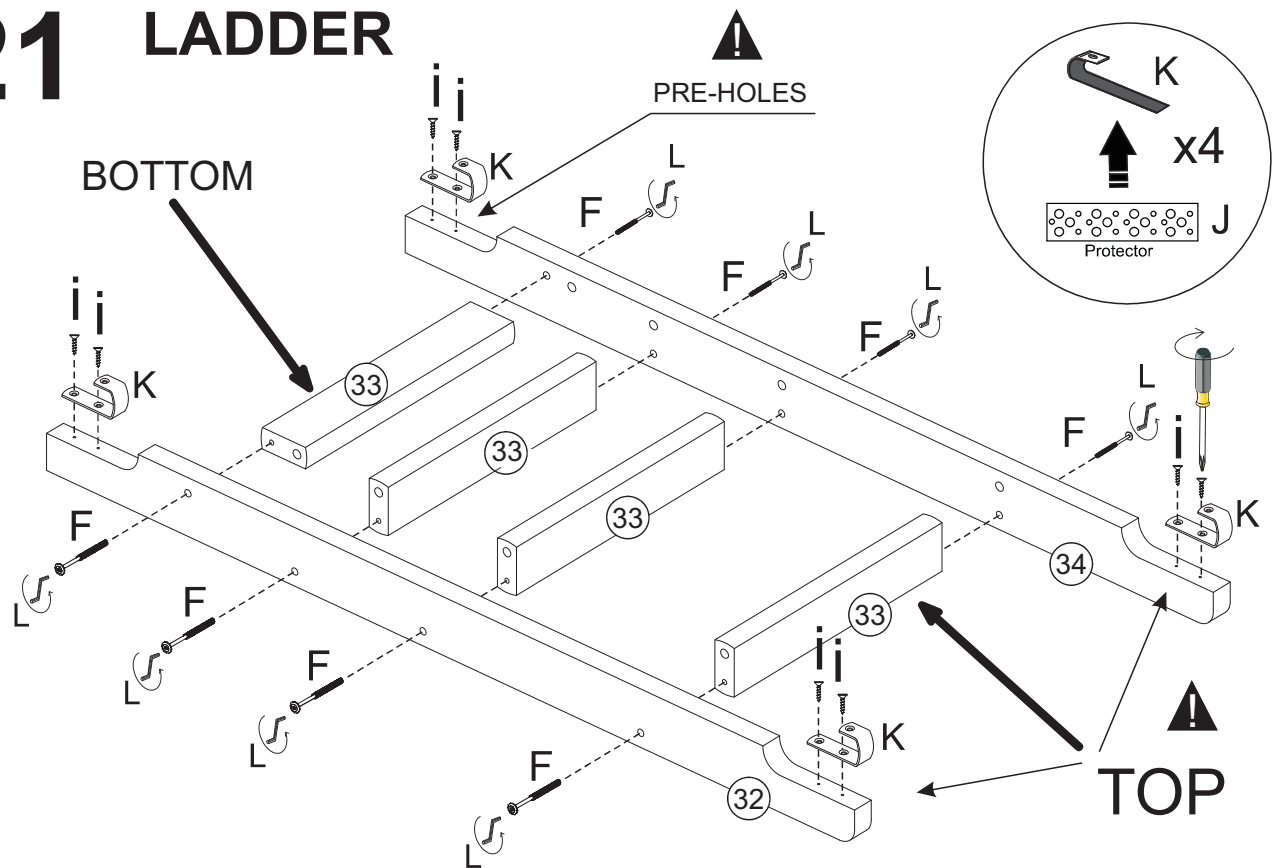
PRE-HOLES



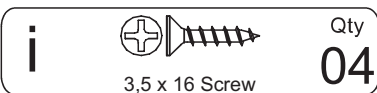
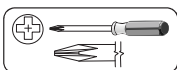
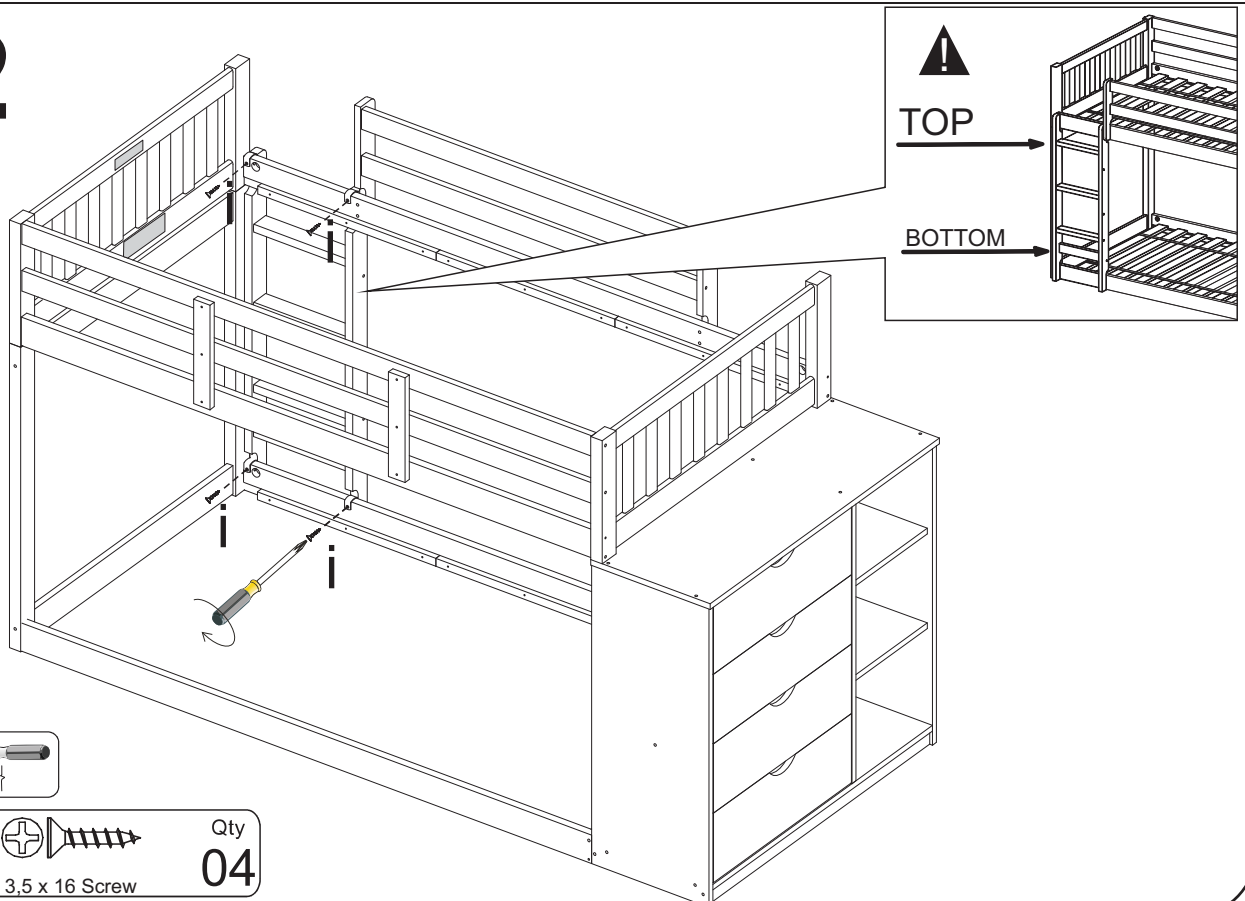
PRE-HOLES

F		Qty
	7,0 x 50 Screw	04
G		Qty
	4,0 x 30 Screw	14
L		Qty
	Hex Screwdriver	01
O		Qty
	Metal Lock	04

21 LADDER

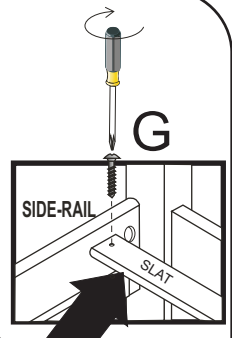


22

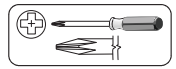
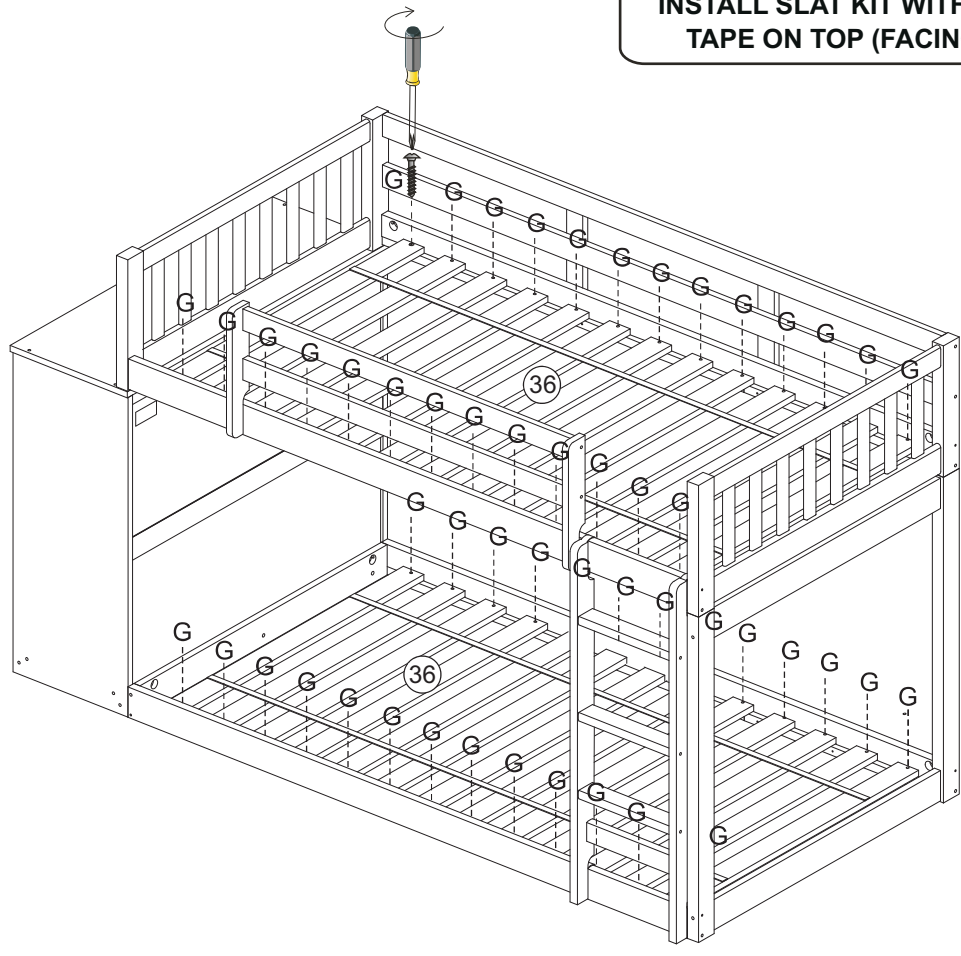



23 SLATS

⚠
"INSTALL SLAT KIT WITH SPACER
TAPE ON TOP (FACING UP)"



⚠
The first slats must be fixed at
3" from each headboard end.



G  4,0 x 30 Screw Qty **52**

24

