

About the Wood and Finish

This product has been carefully crafted of: MDF, solid pine wood and/or pine veneers. These materials derive from plantations, a renewable and well managed forest, therefore, not endangering the environment. The highest quality standards have been implemented to assure a sturdy and reliable product. Due to the natural variances in the

graining of wood, you may notice subtle differences in the shading and tone of the color stain, warp, holes, wood knots and also small cracks. This is not a defect.

But rather a result of the natural beauty of the wood itself.

Care and maintenance:

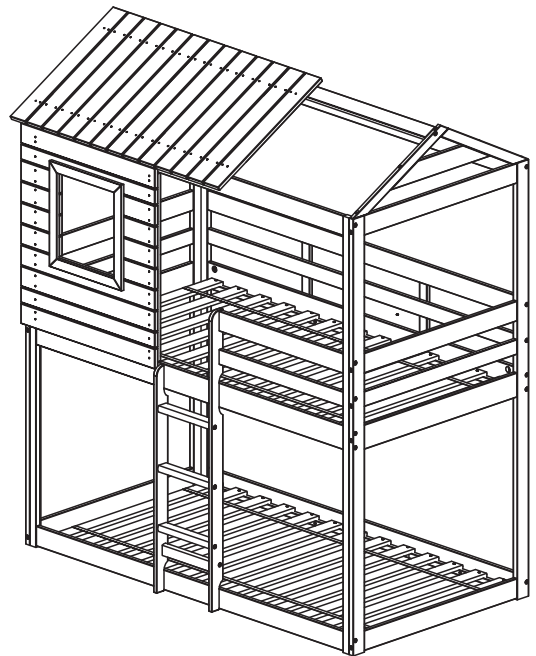
Dust when needed using a smooth, dry cloth. Household furniture polish can be used occasionally to restore luster.



ASSEMBLY INSTRUCTIONS

1370 - TWIN TWIN DEER BLIND BUNK BED

Thank you for purchasing this quality product. Be sure to check all packing materials carefully for small parts which may have come loose inside the carton during shipment. Separate, identify and count all parts and hardware. Compare with the parts list to be sure all parts are present.



**“DO NOT TIGHTEN SCREWS
UNTIL COMPLETELY ASSEMBLED”**

SIZE OF MATTRESS AND FOUNDATION (SUPPORT)

This bed is designed to use a twin mattress (37½” - 38½” x 74-75”) and bunkie board (37½” x 74”). The total thickness must not exceed 9” inches.

Note: There must be at least 5” inches from top surface of mattress to top edge or guardrails.

REPLACEMENT PARTS:


Replacement parts, including additional guardrails, may be obtained from place of purchase or original distributor.

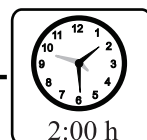
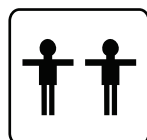
TO OBTAIN PARTS, PLEASE CONTACT: **DONCO TRADING COMPANY - FORT WORTH, TEXAS**

SAFETY WARNINGS!

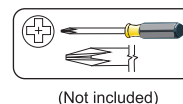
- 1- Follow the information on the warning label appearing on the upper bunk end structure and on the carton. Do not remove warning label from bed.
- 2- Always use the recommended size mattress or mattress support, or both, to help prevent the likelihood of entrapment or falls.
- 3- Surface of mattress must be at least 5” inches below the upper edge of guardrails.
- 4- Do not allow children under 6 years of age to use the upper bunk.
- 5- Prohibit more than one person on upper bunk.
- 6- Periodically check and ensure that the guardrail, ladder and other components are in their proper position free from damage, and that all connectors are tight.
- 7- Do not allow horseplay on or under the bed and prohibit jumping on the bed.
- 8- Always use the ladder for entering and leaving the upper bunk.
- 9- Do not use substitute parts. Contact distributor or dealer for replacement parts.
- 10- Use of a night light may provide added safety precaution for a child using the upper bunk.
- 11- If the bunk bed will be placed next to a wall, the guardrail that runs the full length of the bed should be placed against the wall to prevent entrapment between the bed and the wall.
- 12- Always use guardrails on both long sides of the upper bunk.
- 13- The use of water or sleep flotation mattresses is prohibited.
- 14- Keep these instructions for future reference.
- 15- Strangulation Hazard - Never attach or hang items to any part of the bunk bed that are not designed for use with the bed: for example, but not limited to, hooks, belts, and jump ropes, etc.



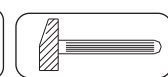

* Use of power tool to assemble this product will invalidate any claim and damage this product making unsafe !!!
* Please assemble on a clean soft surface to avoid damage.



Tools Required



(Not included)

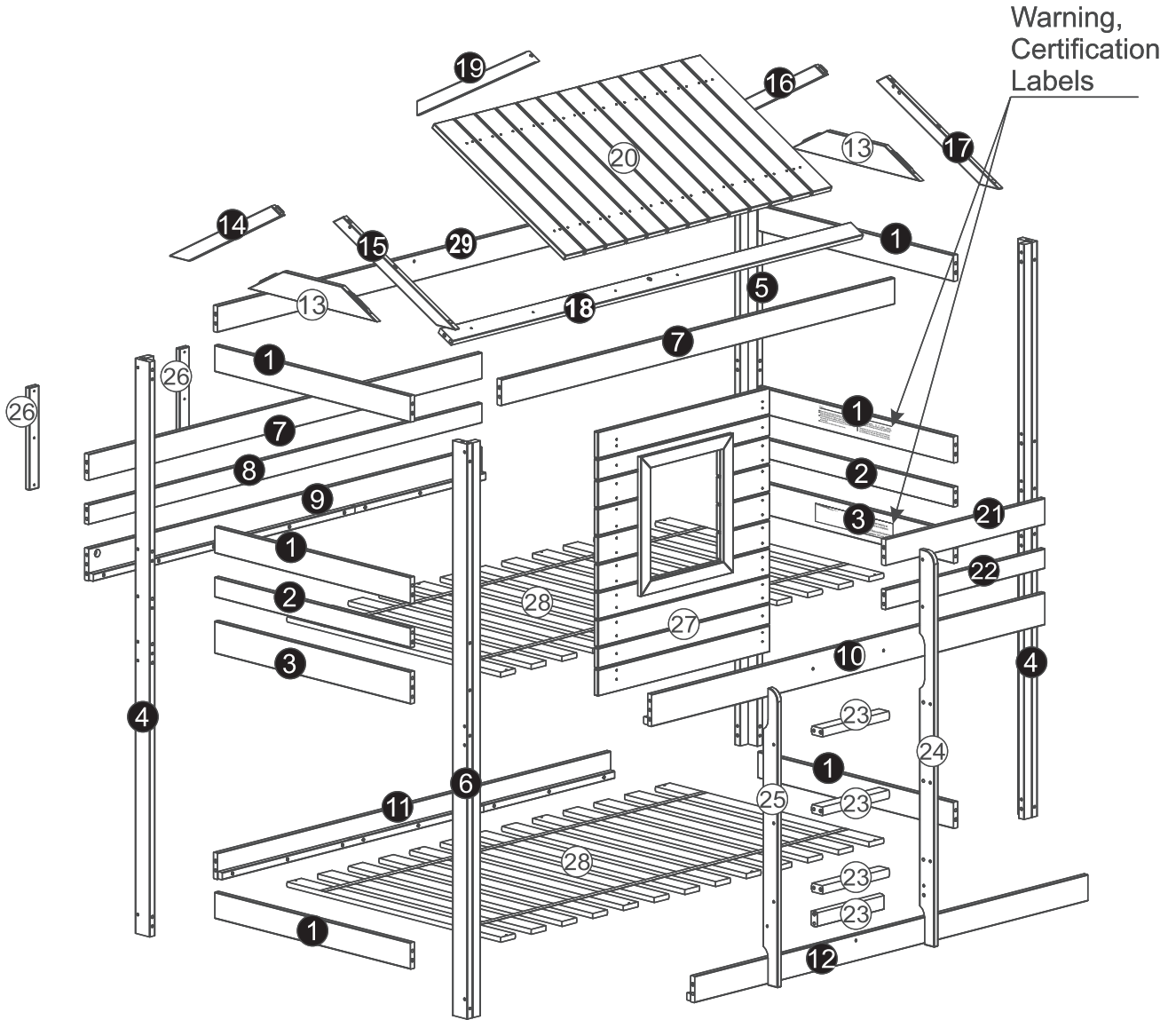


(Not included)

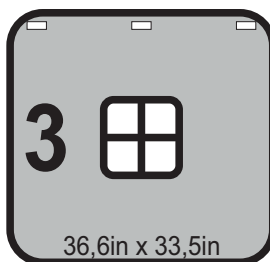
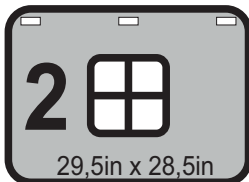
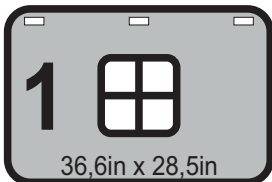


IMPORTANT: PLEASE READ INSTRUCTIONS BEFORE STARTING THE ASSEMBLY

Part List - 1370 Twin Twin Deer Blind Bunk Bed

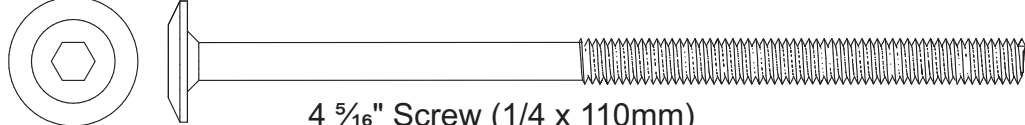


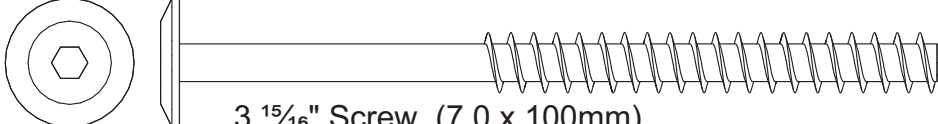
OPTIONAL TENTS - STEP 18

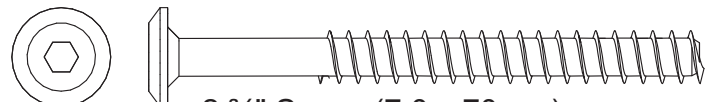


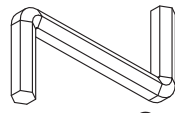
Identifying the Hardware-Identify the hardware using the illustrations below.

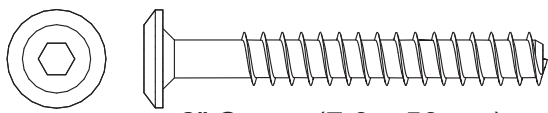
A  Qty **54**
1 9/16" Wood Dowel (10 x 40mm)

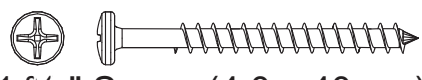
B  Qty **04**
4 5/16" Screw (1/4 x 110mm)

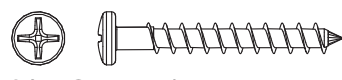
C  Qty **38**
3 15/16" Screw (7,0 x 100mm)

D  Qty **06**
2 3/4" Screw (7,0 x 70mm)

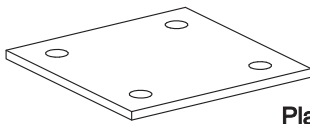
E  Qty **02**
Hex Screwdriver

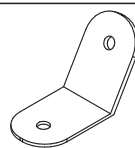
F  Qty **22**
2" Screw (7,0 x 50mm)

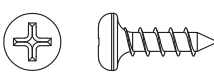
G  Qty **03**
1 3/16" Screw (4,0 x 40mm)

H  Qty **62**
1 3/16" Screw (4,0 x 30mm)

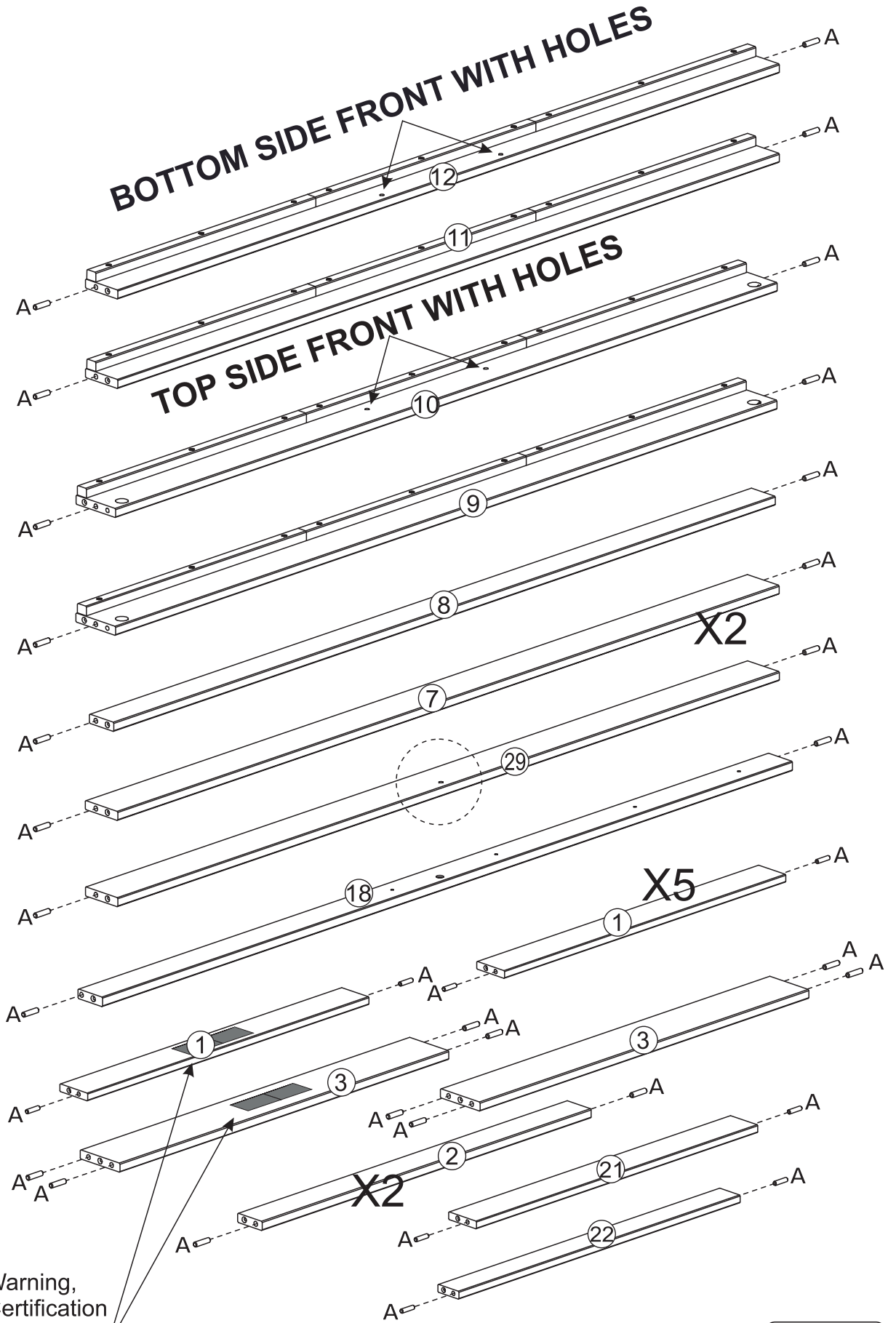
B  Qty **04**
1/4" Half Moon

J  Qty **02**
Plate

K  Qty **03**
Bracket

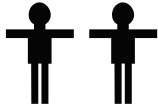
L  Qty **14**
5/8" Screw (3,5 x 16mm)

01



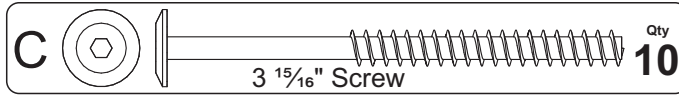
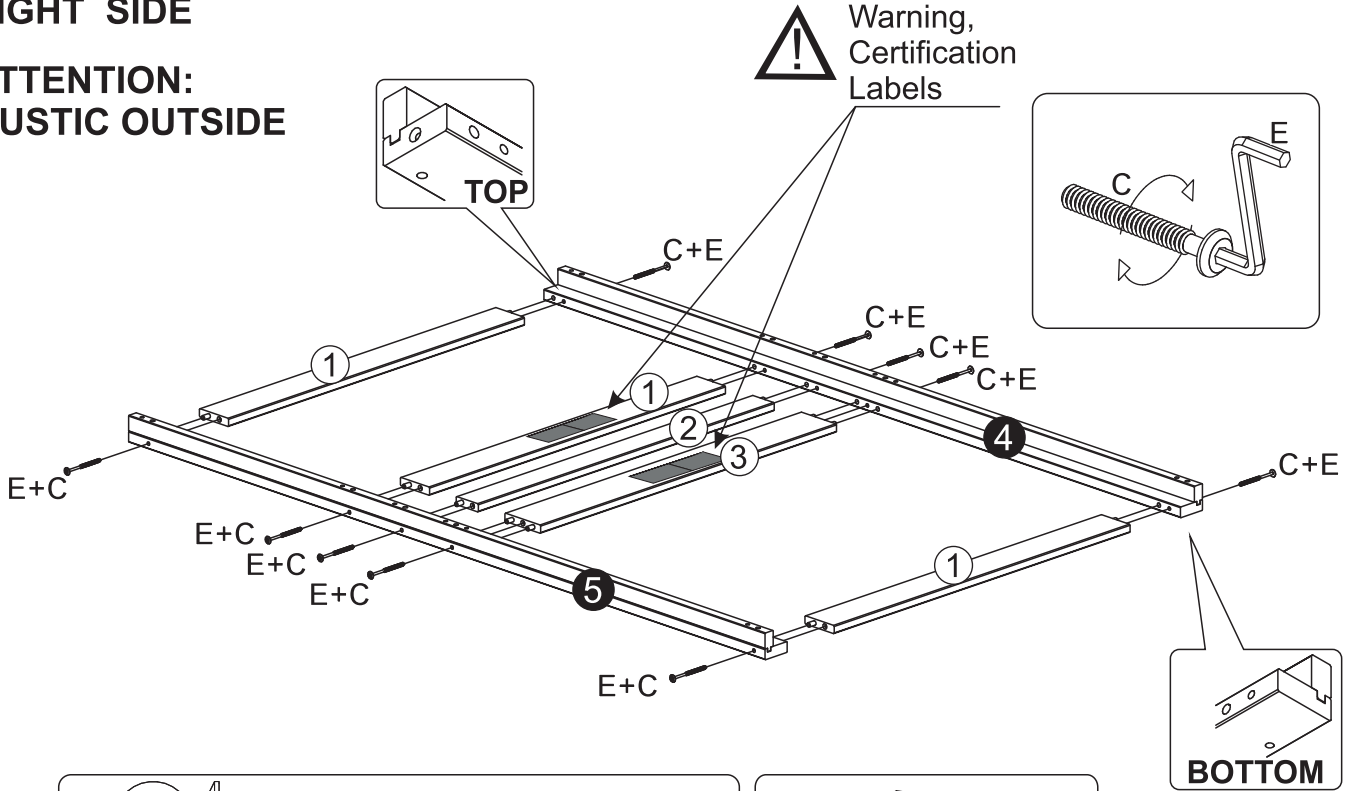
A  Qty **46**
1 9/16" Wood Dowel

02

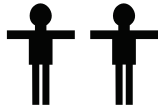


RIGHT SIDE

ATTENTION:
RUSTIC OUTSIDE

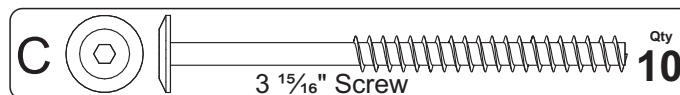
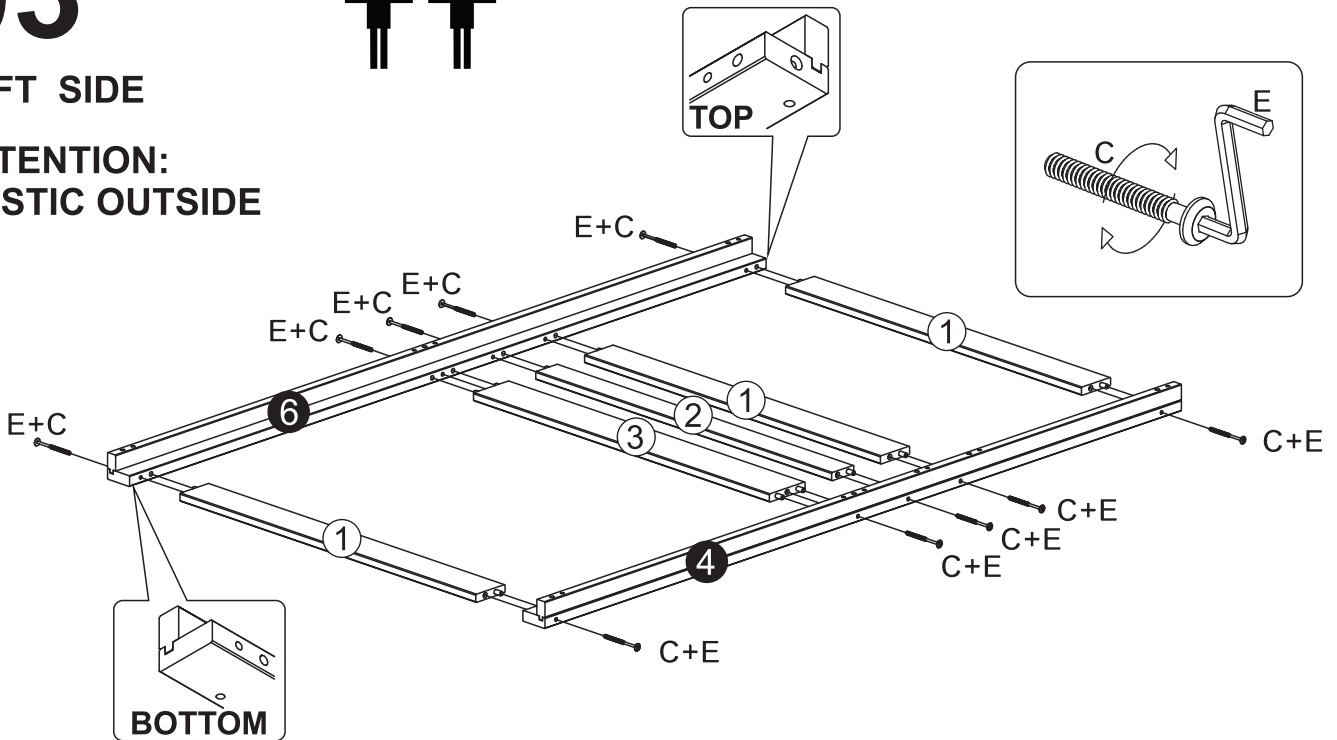


03



LEFT SIDE

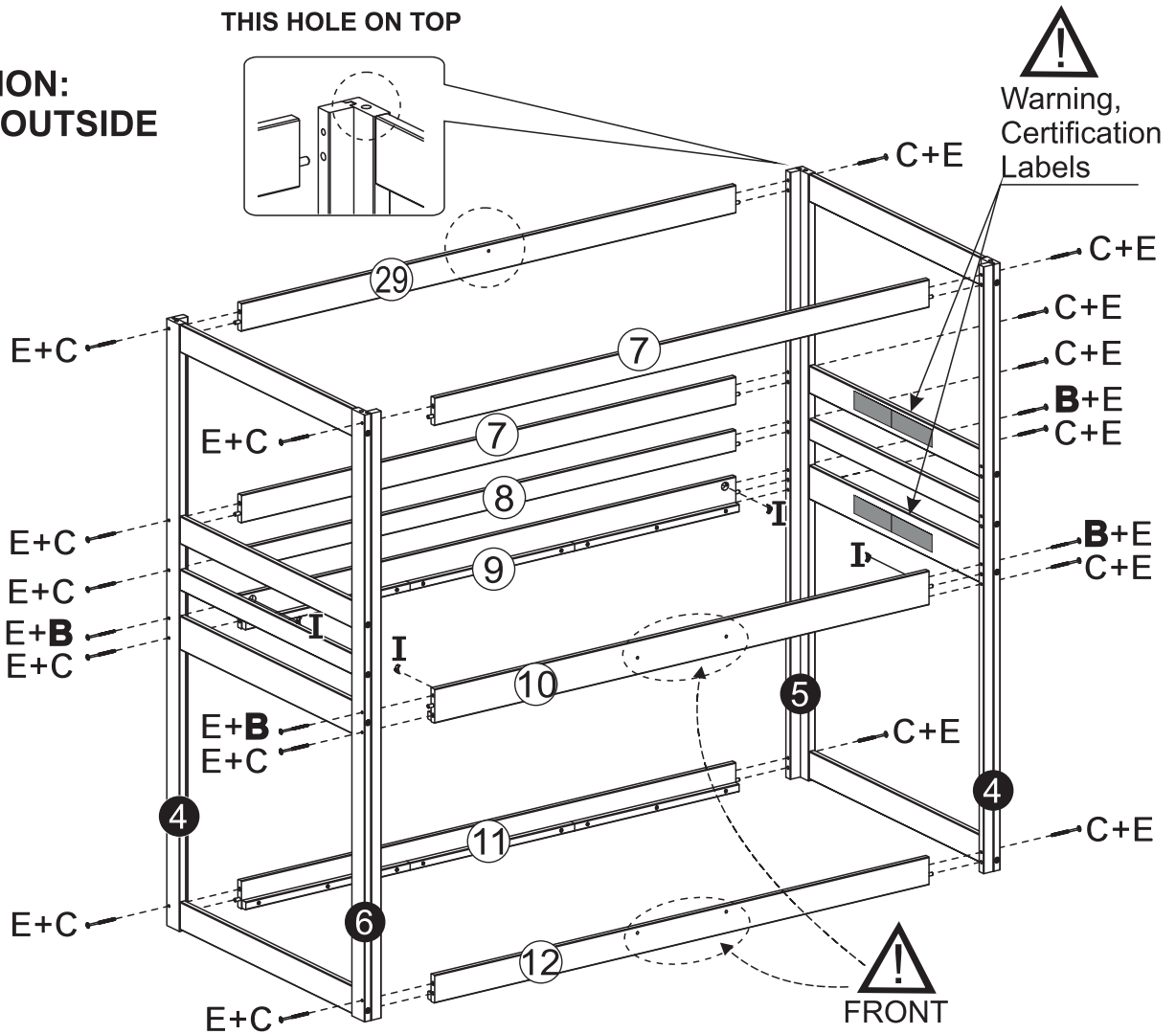
ATTENTION:
RUSTIC OUTSIDE



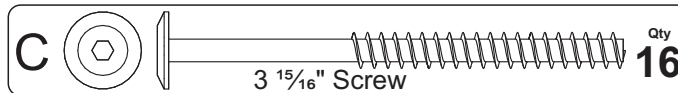
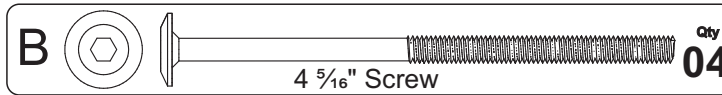
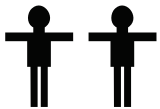
04

**ATTENTION:
RUSTIC OUTSIDE**

THIS HOLE ON TOP



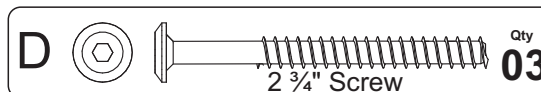
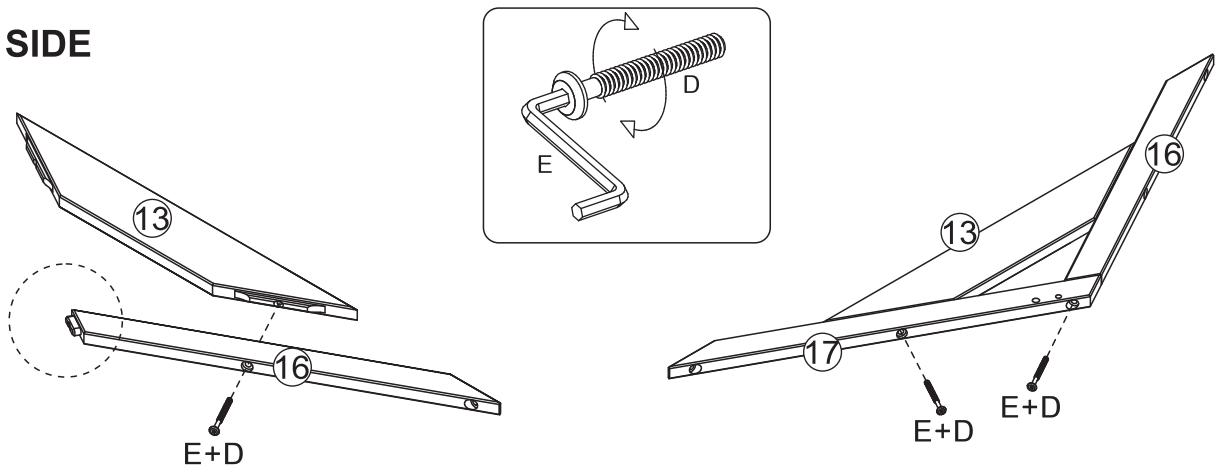
**Warning,
Certification
Labels**



05

RIGHT SIDE

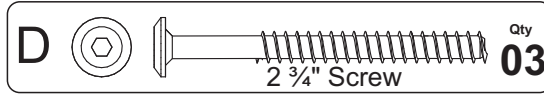
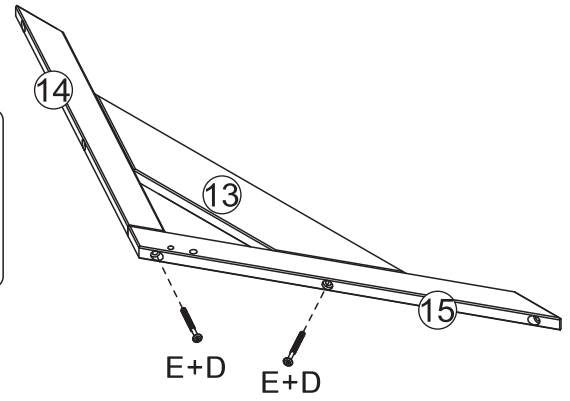
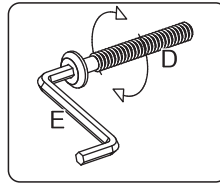
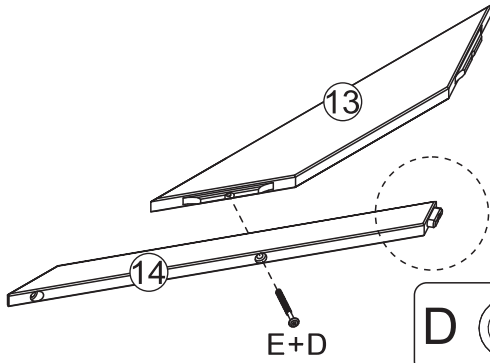
**ATTENTION:
RUSTIC OUTSIDE**



06

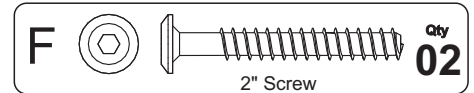
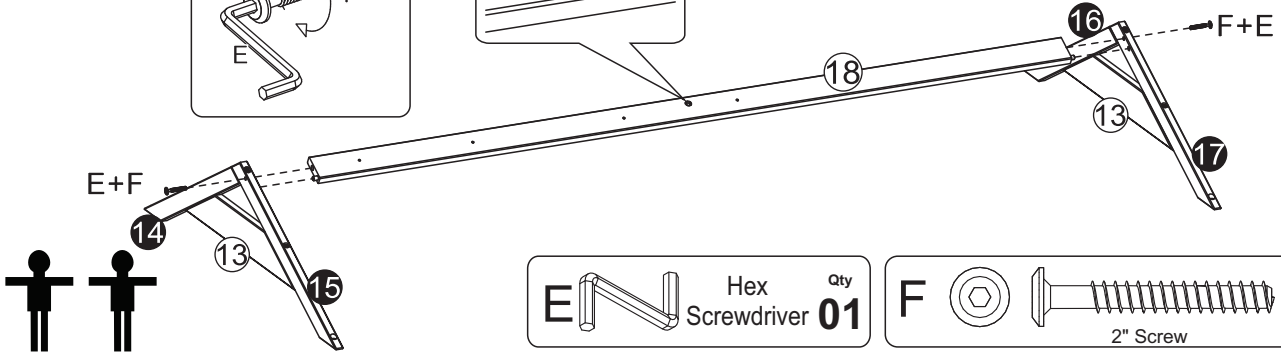
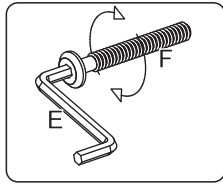
**ATTENTION:
RUSTIC OUTSIDE**

LEFT SIDE

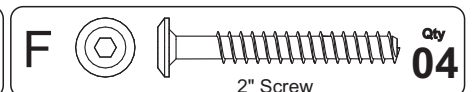
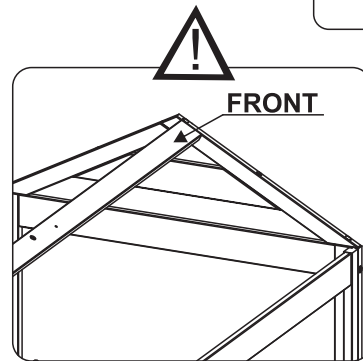
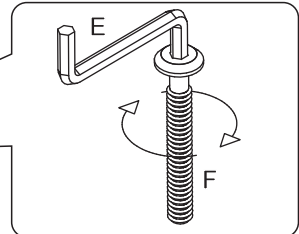
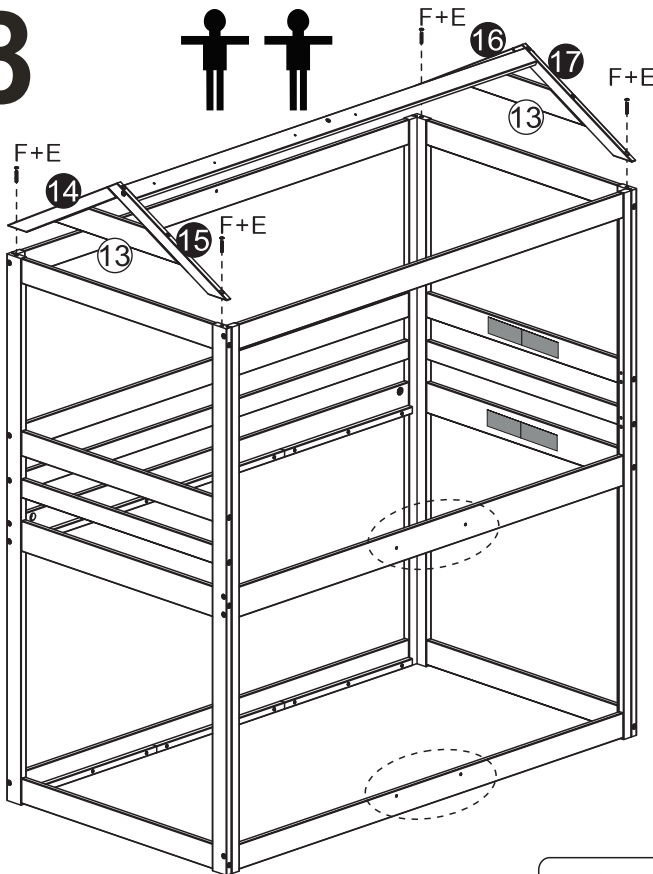
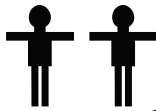


07

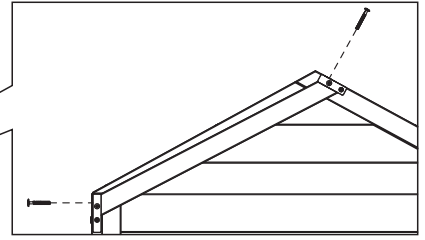
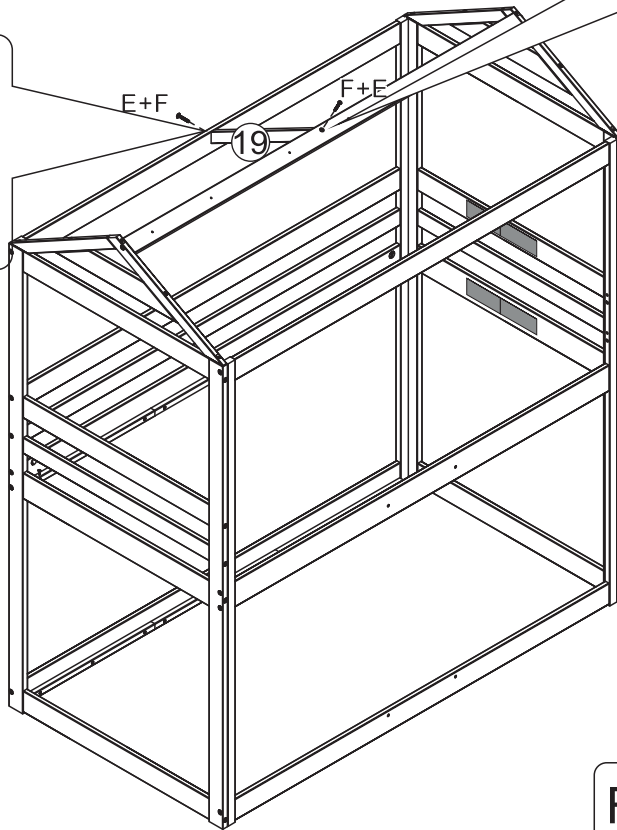
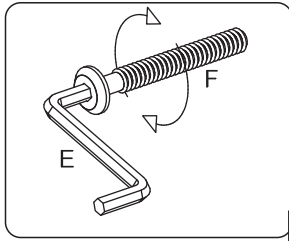
**ATTENTION:
COUNTERSINK ON TOP**



08



09



Attention:
PLEASE USE A SAFETY STEP LADDER TO ASSEMBLY THE ROOF.

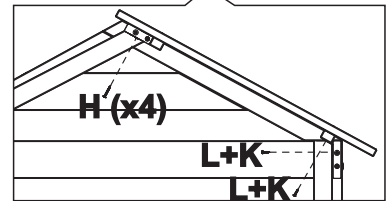
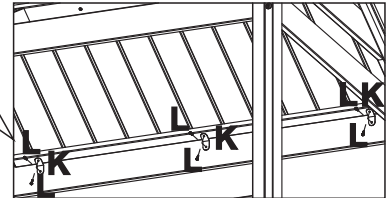
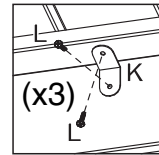
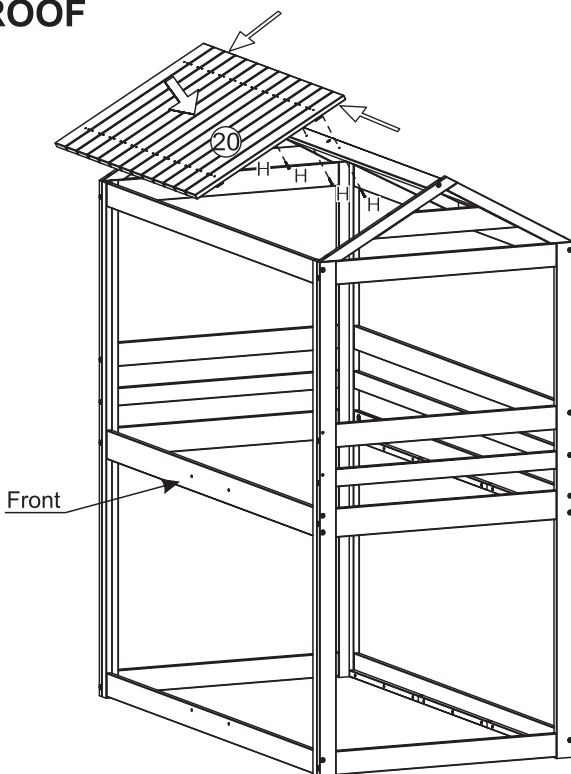
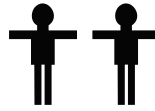
Not included

E Hex Screwdriver Qty **01**

F 2" Screw Qty **02**

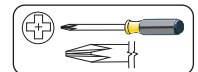
10 ROOF

**ATTENTION:
RUSTIC OUTSIDE**



Attention:
PLEASE USE A SAFETY STEP LADDER TO ASSEMBLY THE ROOF.

Not included



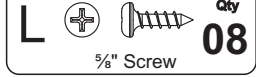
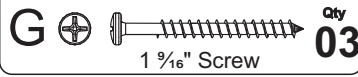
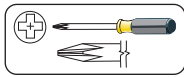
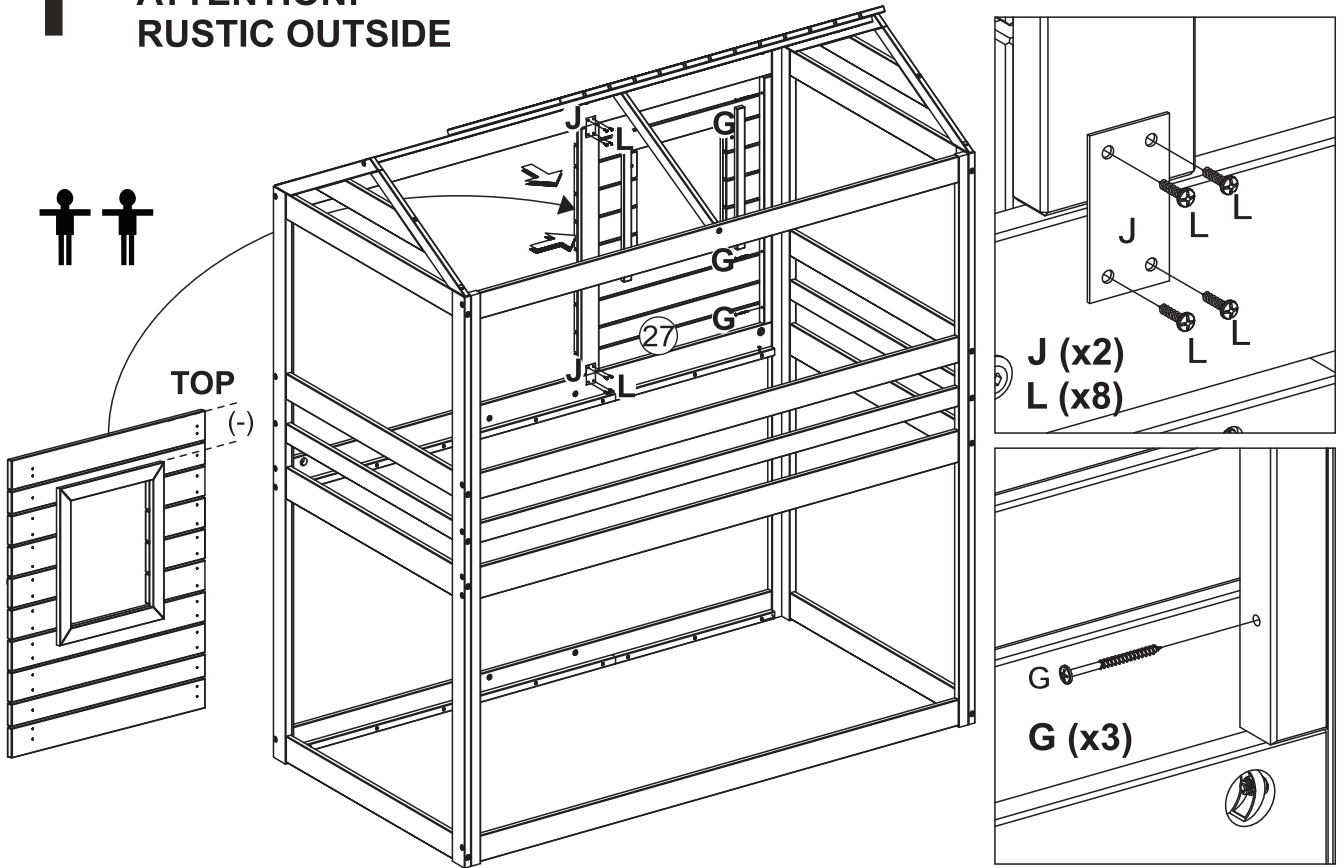
H 1 3/16" Screw Qty **04**

K Bracket Qty **03**

L 5/8" Screw Qty **06**

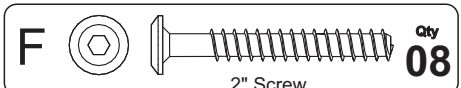
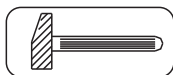
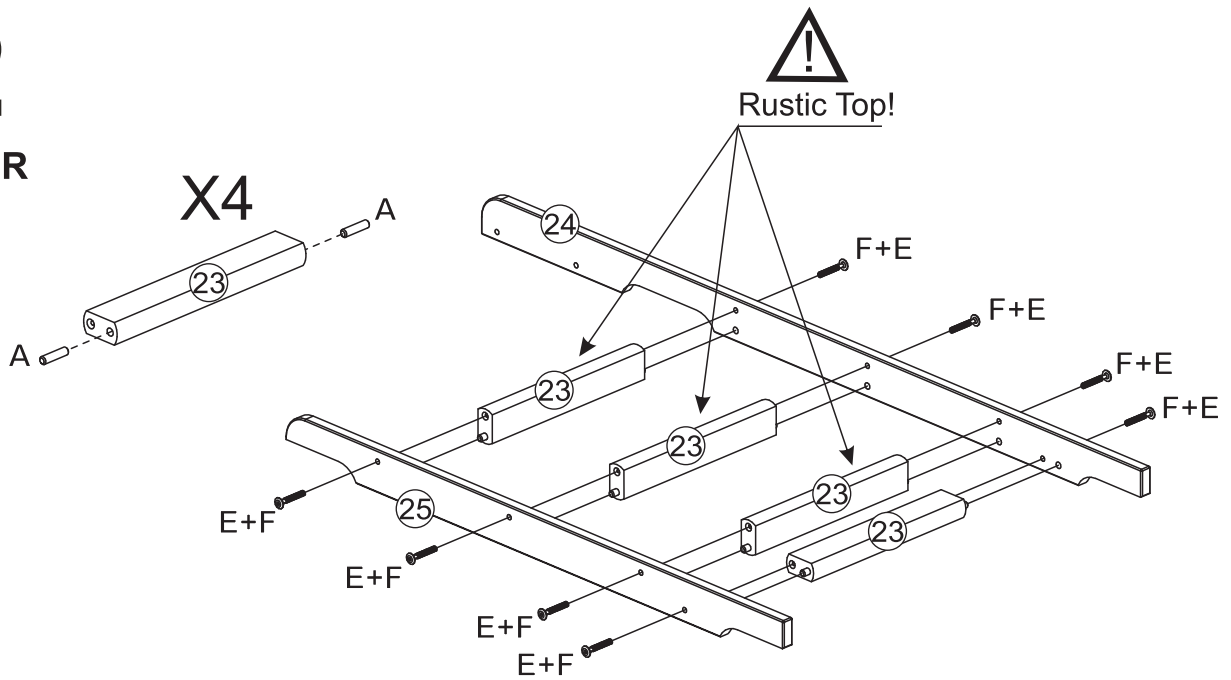
11

FRONTAL PANEL ATTENTION: RUSTIC OUTSIDE

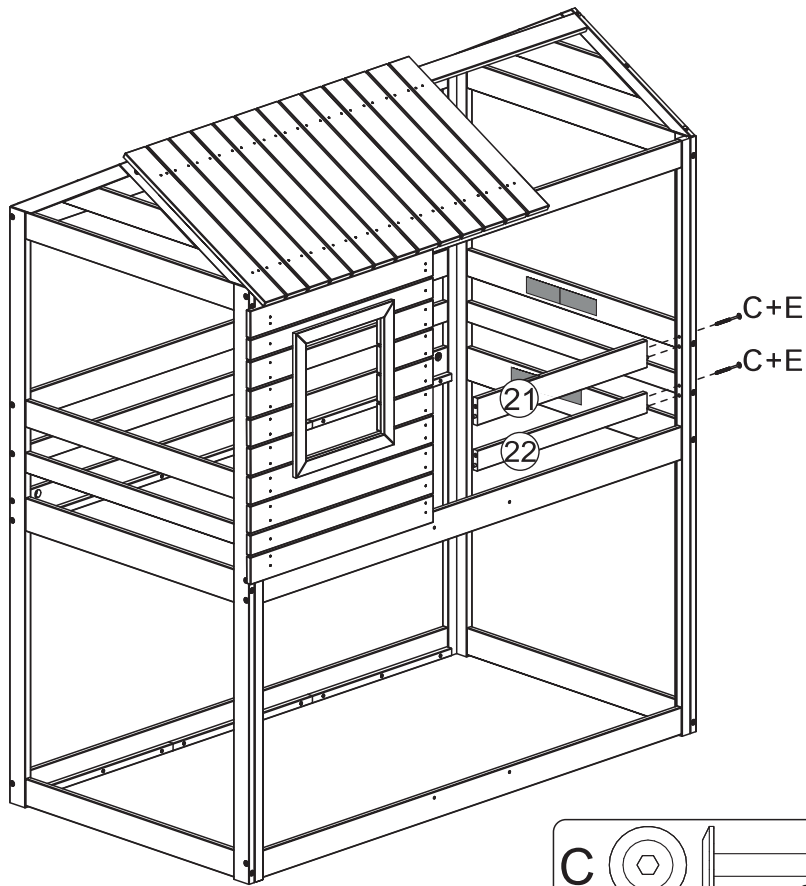


12

LADDER



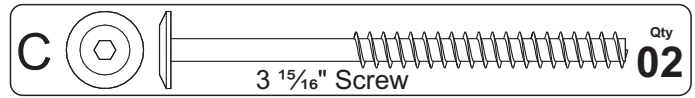
13



#21 LARGER
#22 SMALLER

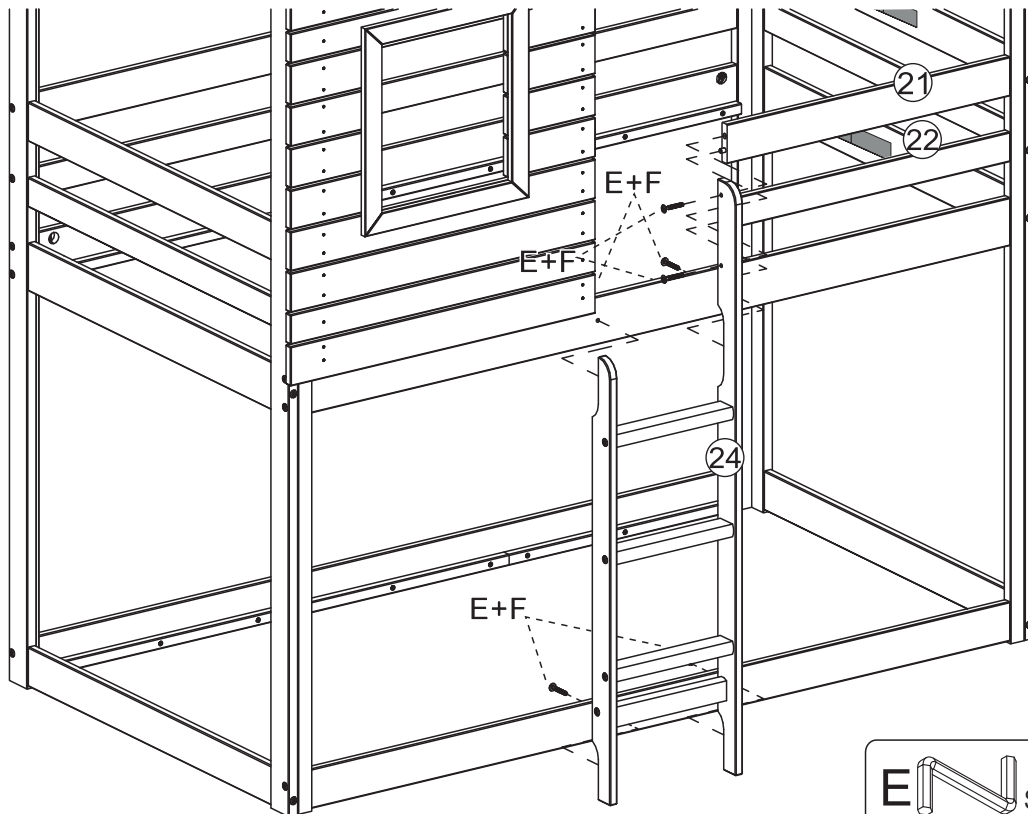


Hex Screwdriver Qty **01**

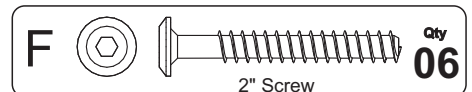


3 15/16" Screw Qty **02**

14

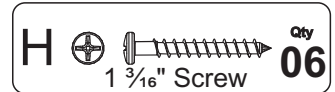
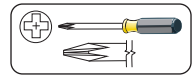
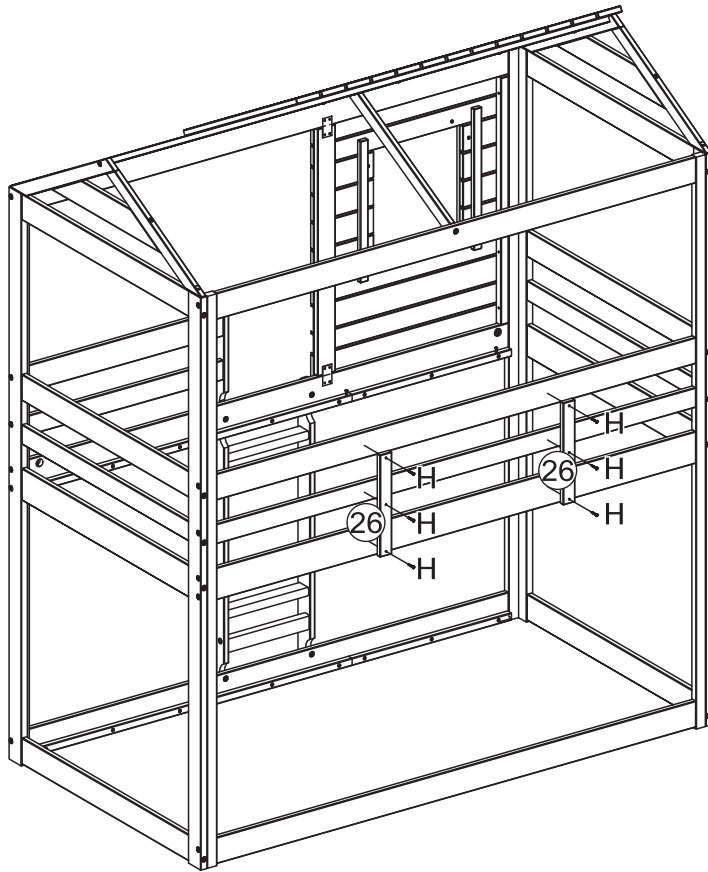


Hex Screwdriver Qty **01**



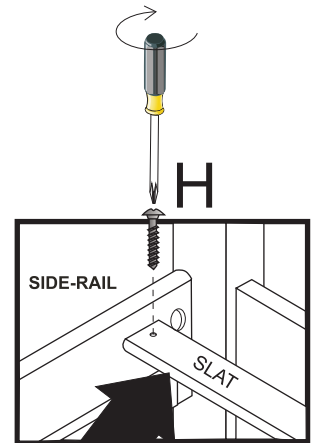
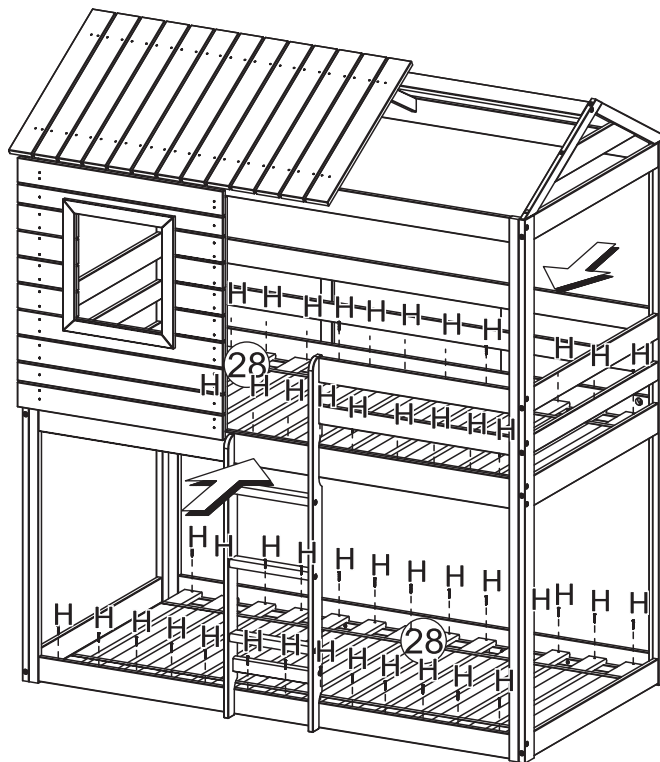
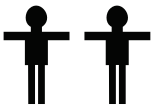
2" Screw Qty **06**

15



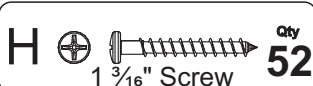
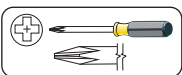
16

SLATS



“INSTALL SLAT KIT WITH SPACER TAPE ON TOP (FACING UP)”

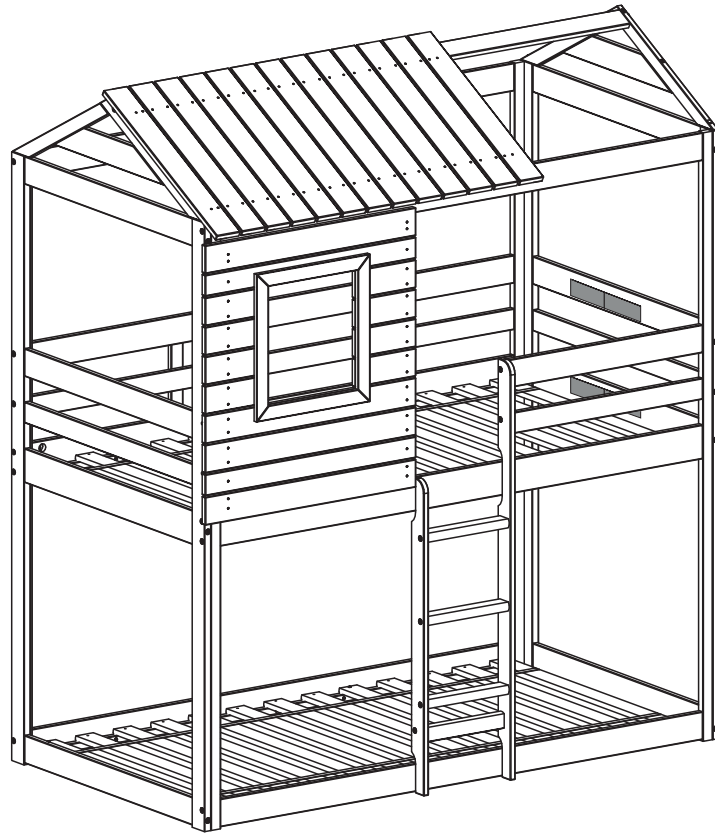
The first slats must be fixed at 3" from each headboard end.



IMPORTANT NOTE:

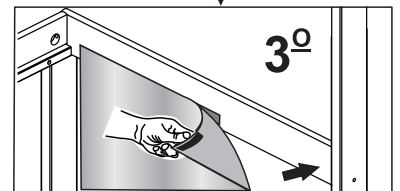
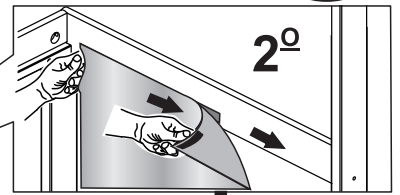
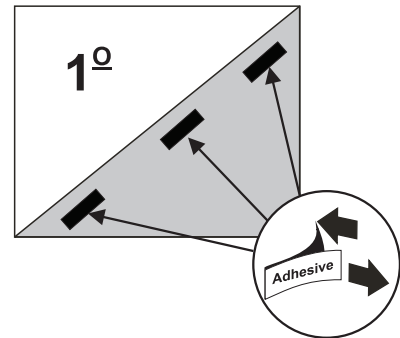
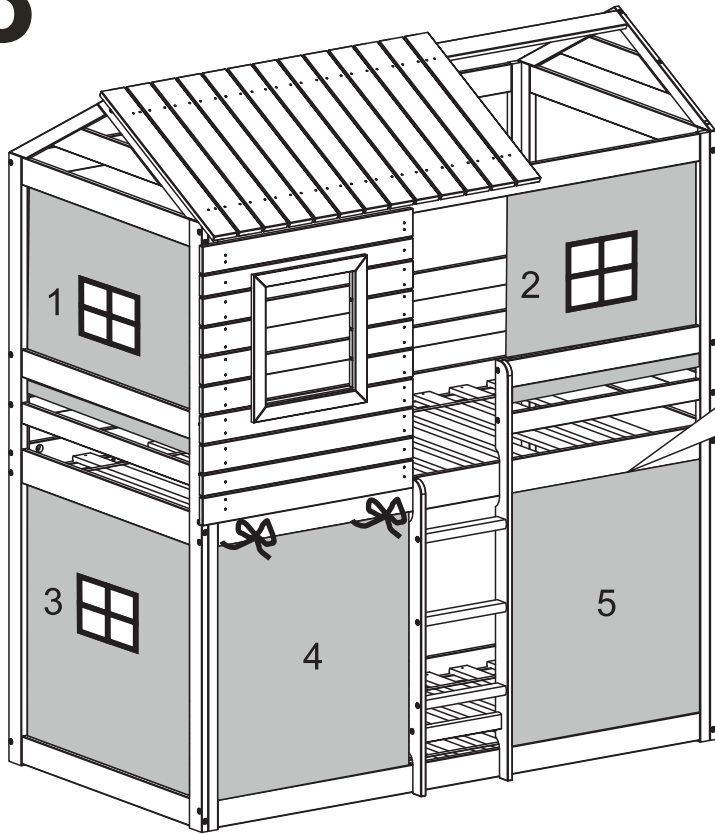
Please note warpage may occur because it is natural wood. To facilitate the placement of the screws, you must press the two siderails simultaneously, as shown by the arrows.

17



OPTION THE BUNK BED ONLY

18



ATTENTION

Please remove the fine paper glued (Adhesived) on the velcro applied on the Tent. After this step, hold tight the Tent on both ends to fix on the crossbars and on front side rail like showing on instructions.

OPTION THE BUNK BED WITH TENT FABRIC