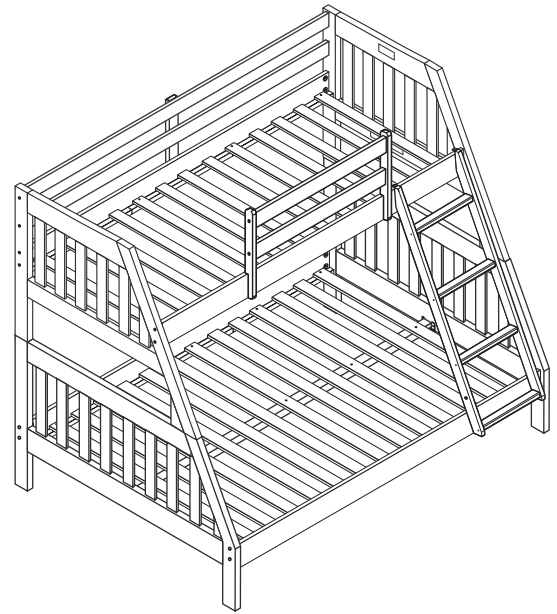


ASSEMBLY INSTRUCTIONS

1018-3 TWIN FULL MISSION BUNK BED

Thank you for purchasing this quality product. Be sure to check all packing material carefully for small parts which may have come loose inside the carton during shipment. Separate, identify and count all parts and hardware. Compare with the parts list to be sure all parts are present.



**“DO NOT TIGHTEN SCREWS
UNTIL COMPLETELY ASSEMBLED”**

SIZE OF MATTRESS AND FOUNDATION (SUPPORT)

This bed is designed to use a twin mattress (37 ½”- 38 ½” x 74 - 75”) and bunkie board (37 ½ “ x 74”) low bed is designed to use a full mattress (53 ½”- 54 ½”- 54 ½” x 74”- 75”) and bunkie board 53 ½”-74”. The total thickness must not exceed **9”** inches.

Note: There must be at least 5” inches from top of mattress to top of guardrail.

REPLACEMENT PARTS.

Replacement parts, including additional guard rails, may be obtained from place of purchase or original distribution.

TO OBTAIN PARTS, PLEASE CONTACT: **DONCO TRADING COMPANY - FORT WORT, TEXAS**

SAFETY WARNINGS!

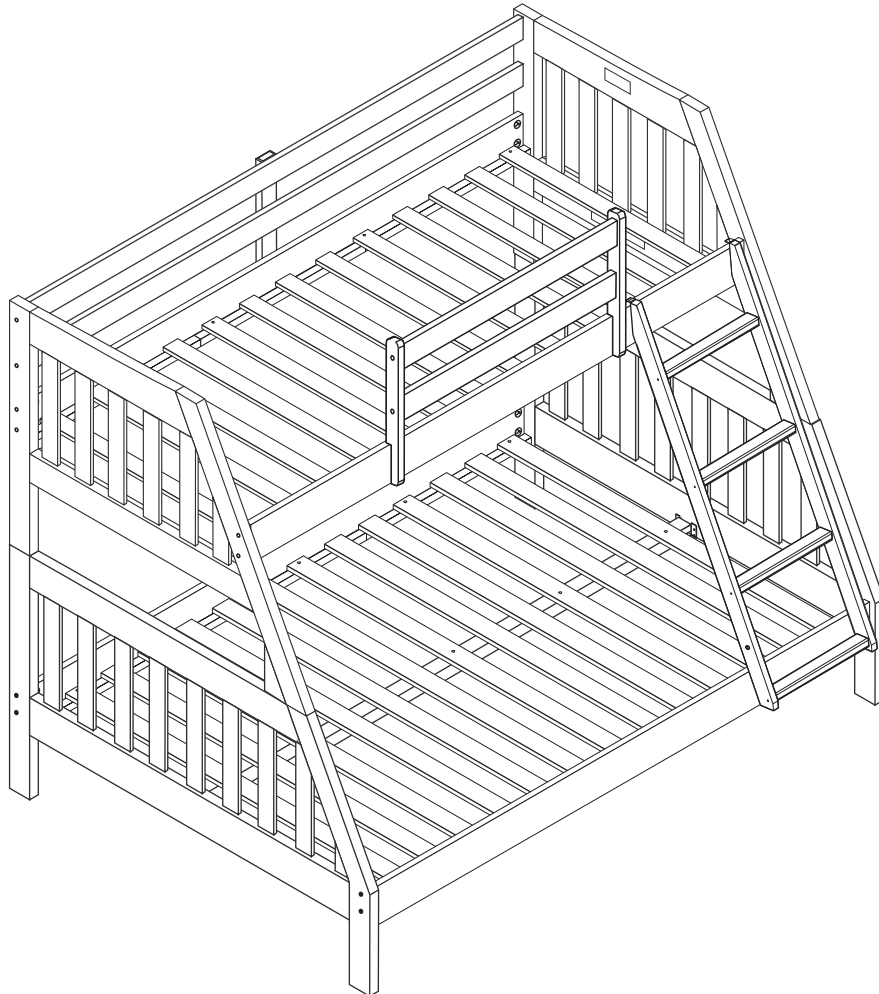
- 1- Follow the information on the warning label appearing on the upper bunk end structure and on the carton. Do not remove warning label from bed.
- 2- Always use the recommended size mattress or mattress support, or both, to help prevent the likelihood of entrapment or falls.
- 3- Surface of mattress must be at least 5 inches below the upper edge of guardrails.
- 4- Do not allow children under 6 years of age to use the upper bunk.
- 5- Prohibit more than one person on upper bunk.
- 6- Periodically check and ensure that the guardrail, ladder and other components are in their proper position, free from damage, and that all connectors are tight.
- 7- Do not allow horseplay on or under the bed and prohibit jumping on the bed.
- 8- Always use the ladder for entering and leaving the upper bunk.
- 9- Do not use substitute parts. Contact manufacturer or dealer for replacement parts.
- 10- Use of a night light may provide added safety precaution for a child using the upper bunk.
- 11- If the bunk bed will be placed next to a wall, the guardrail that runs the full length of the bed should be placed against the wall to prevent entrapment between the bed and the wall.
- 12- Always use guard rails on both long sides of the upper bunk.
- 13- The use of water or sleep flotation mattresses is prohibited.
- 14- Keep these instructions for future reference.
- 15- Strangulation Hazard - Never attach or hang items to any part of the bunk bed that are not designed for use with the bed: for example, but not limited to, hooks, belts, and jump ropes, etc.



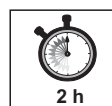
IMPORTANT: PLEASE READ INSTRUCTIONS BEFORE STARTING THE ASSEMBLY

ASSEMBLY INSTRUCTIONS

1018-3 TWIN FULL MISSION BUNK BED



Thank you for purchasing this quality product. Be sure to check all packing material carefully for small parts which may have come loose inside the carton during shipment. Separate, identify and count all parts and hardware. Compare with the parts list to be sure all parts are present. "DO NOT TIGHTEN SCREWS UNTIL COMPLETELY ASSEMBLED"



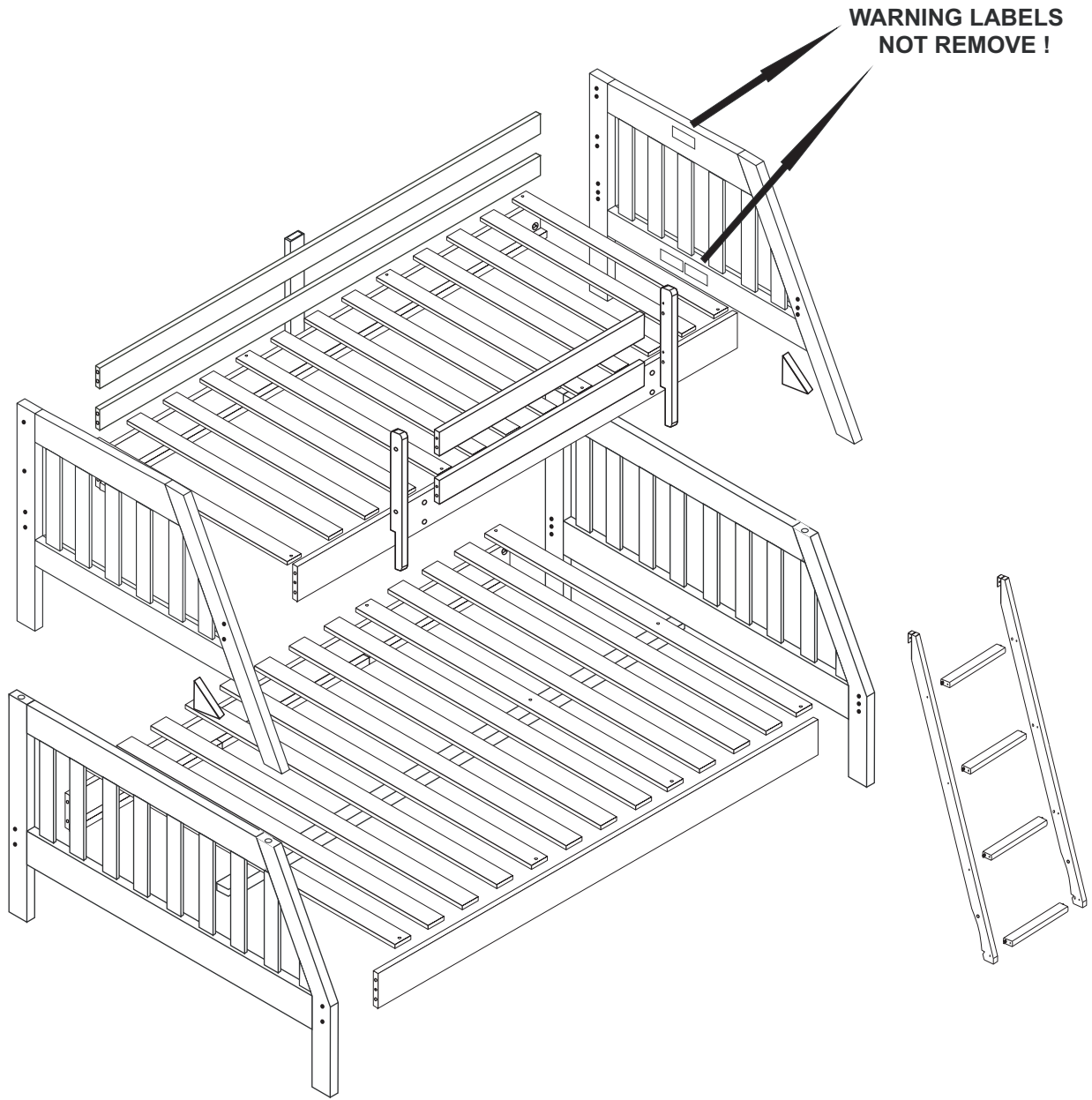
Tool Required



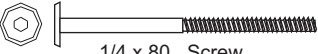


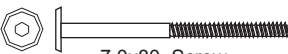
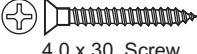



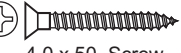



(Phillips Key) (Hammer)
(Not Includ) (Not Includ)

IMPORTANT:
PLEASE READ INSTRUCTION BEFORE STARTING THE ASSEMBLY

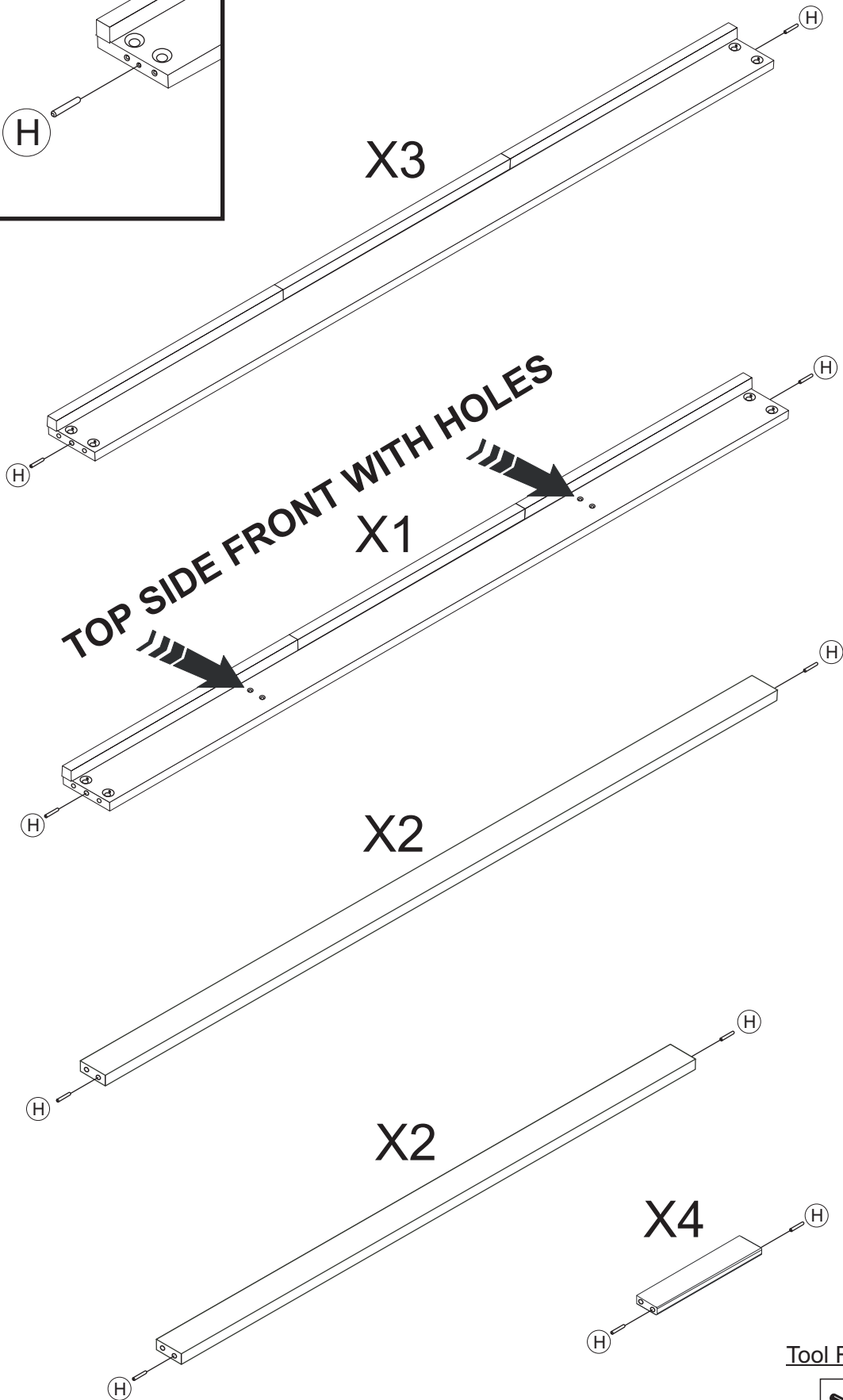
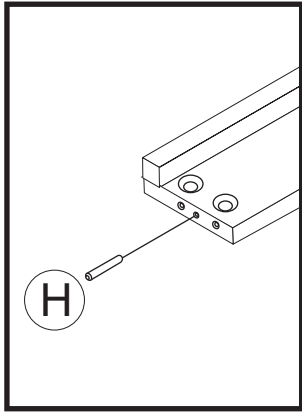
Part List: 1018-3 TWIN FULL MISSION BUNK BED



Identifying the Hardware/part list- Identify the hardware using the illustrations below.

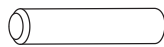
A  Qty 16 1/4 x 80 Screw	B  Half Moon Qty 16 1/4" Half Moon	C  Qty 16 7,0x50 Screw
D  Qty 04 7,0x80 Screw	E  Qty 27 4,0 x 30 Screw	F  Qty 01 Allen Key
G  Qty 04 15 x 100 Wood Dowel	H  Qty 24 10 x 40 Wood Dowel	I  Qty 01 4,0 x 50 Screw
J  Qty 18 3,5x16 Screw	K  Qty 02 Hook Ladder	L  Qty 02 Corner Bracket

01

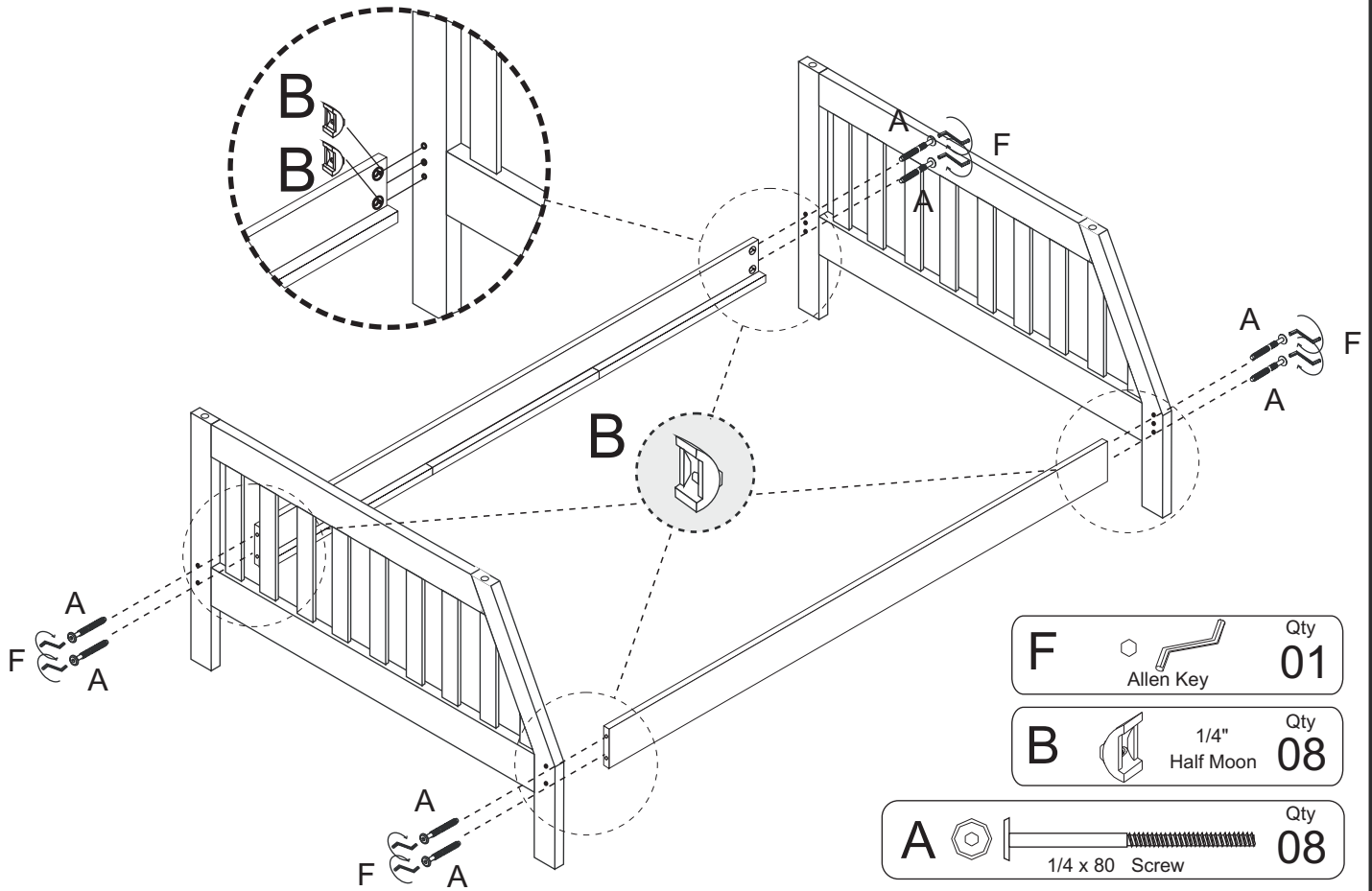



Tool Required




H		Qty
	10 x 40 Wood Dowel	24

02 BOTTOM BED

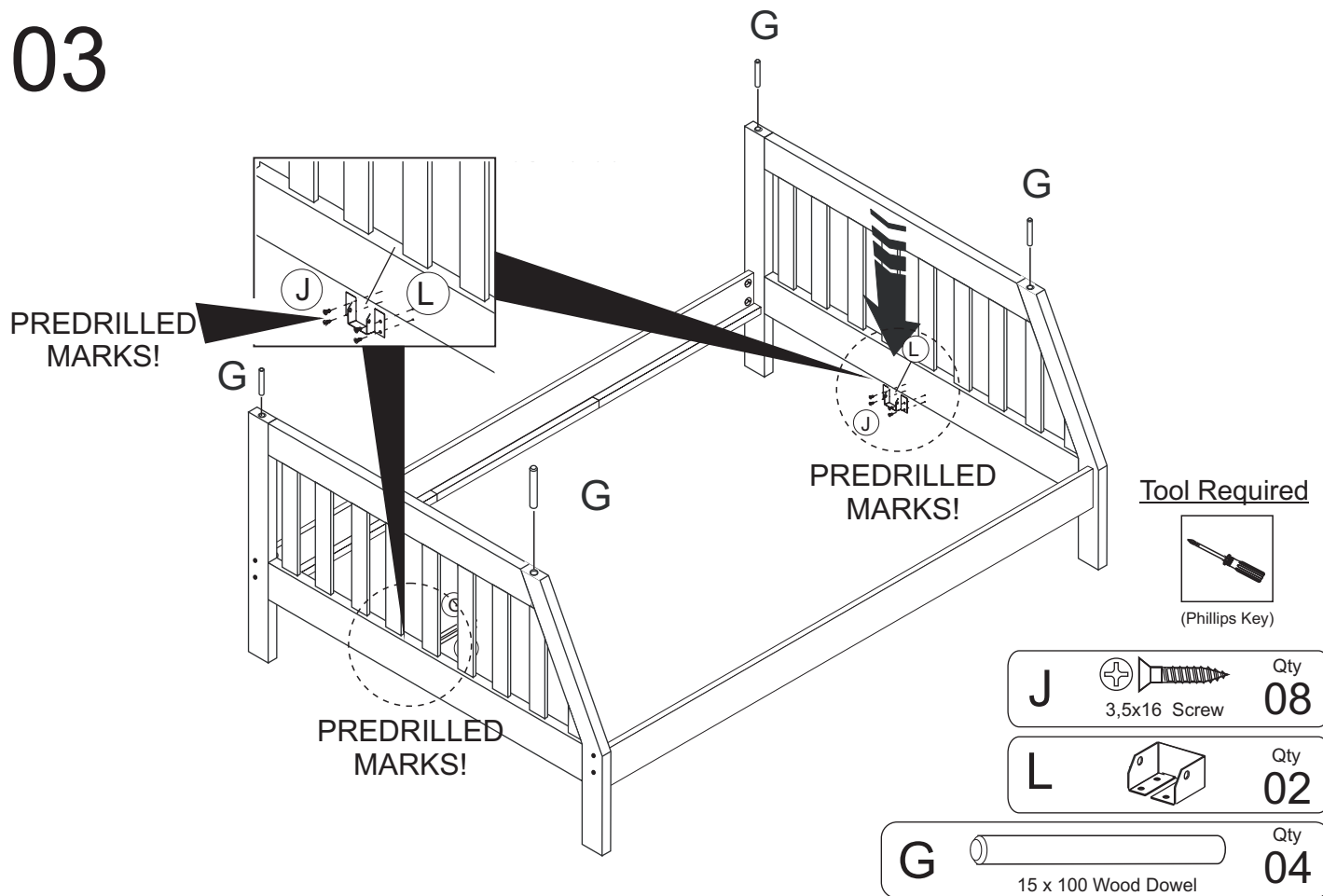


F  Qty **01**
Allen Key

B  Qty **08**
1/4" Half Moon

A  Qty **08**
1/4 x 80 Screw


03




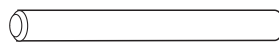
Tool Required



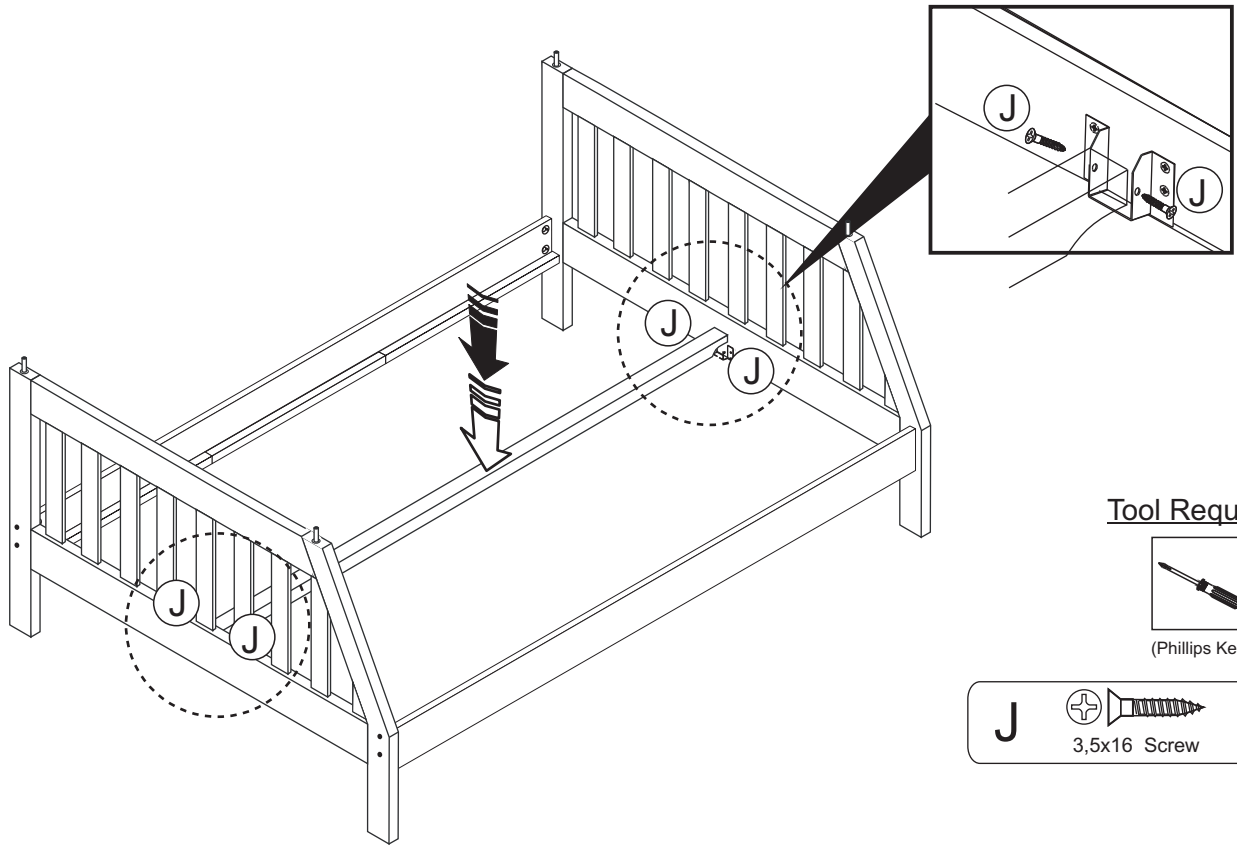
(Phillips Key)

J  Qty **08**
3,5x16 Screw

L  Qty **02**

G  Qty **04**
15 x 100 Wood Dowel

04



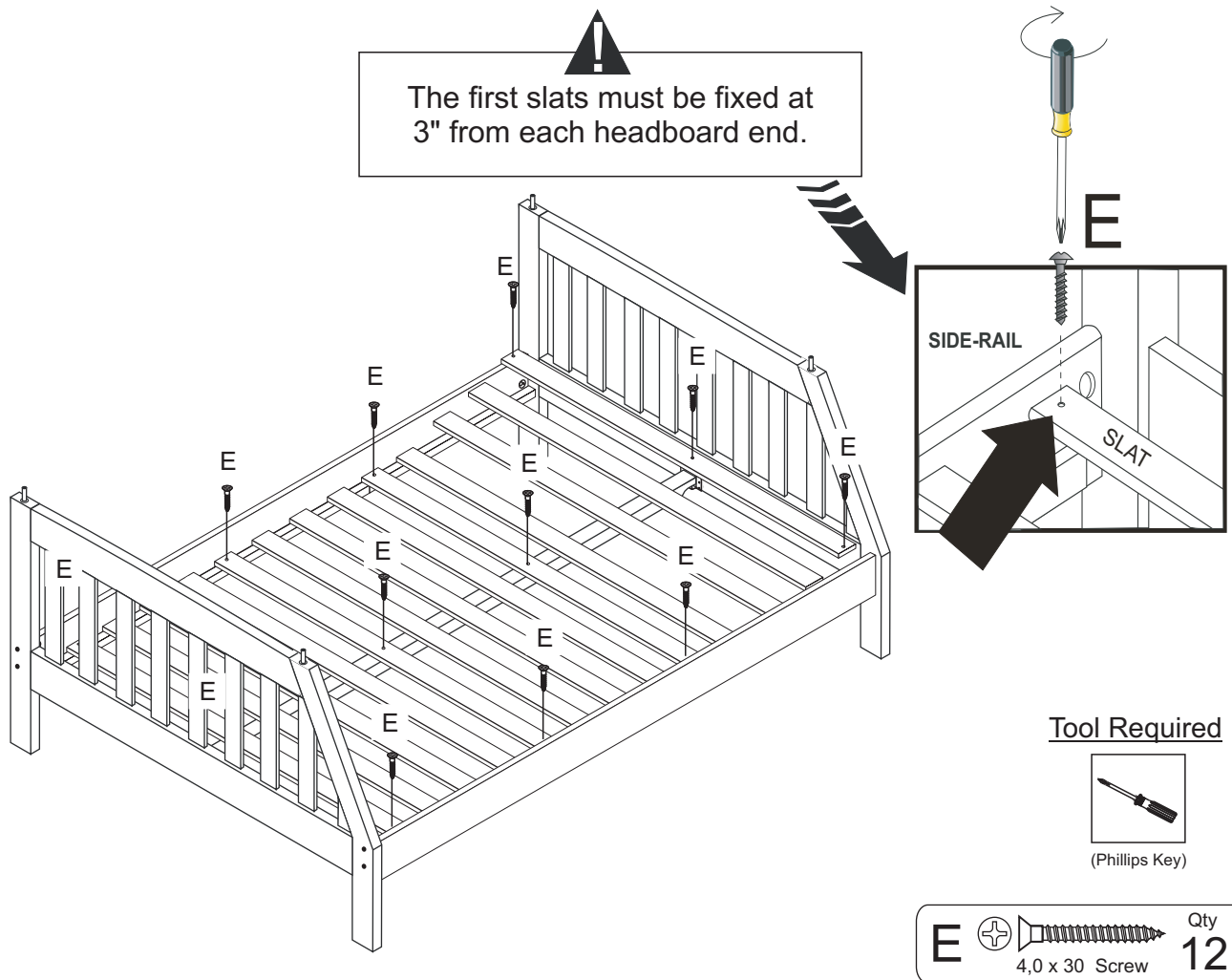
Tool Required



(Phillips Key)

J		Qty
	3,5x16 Screw	04

05



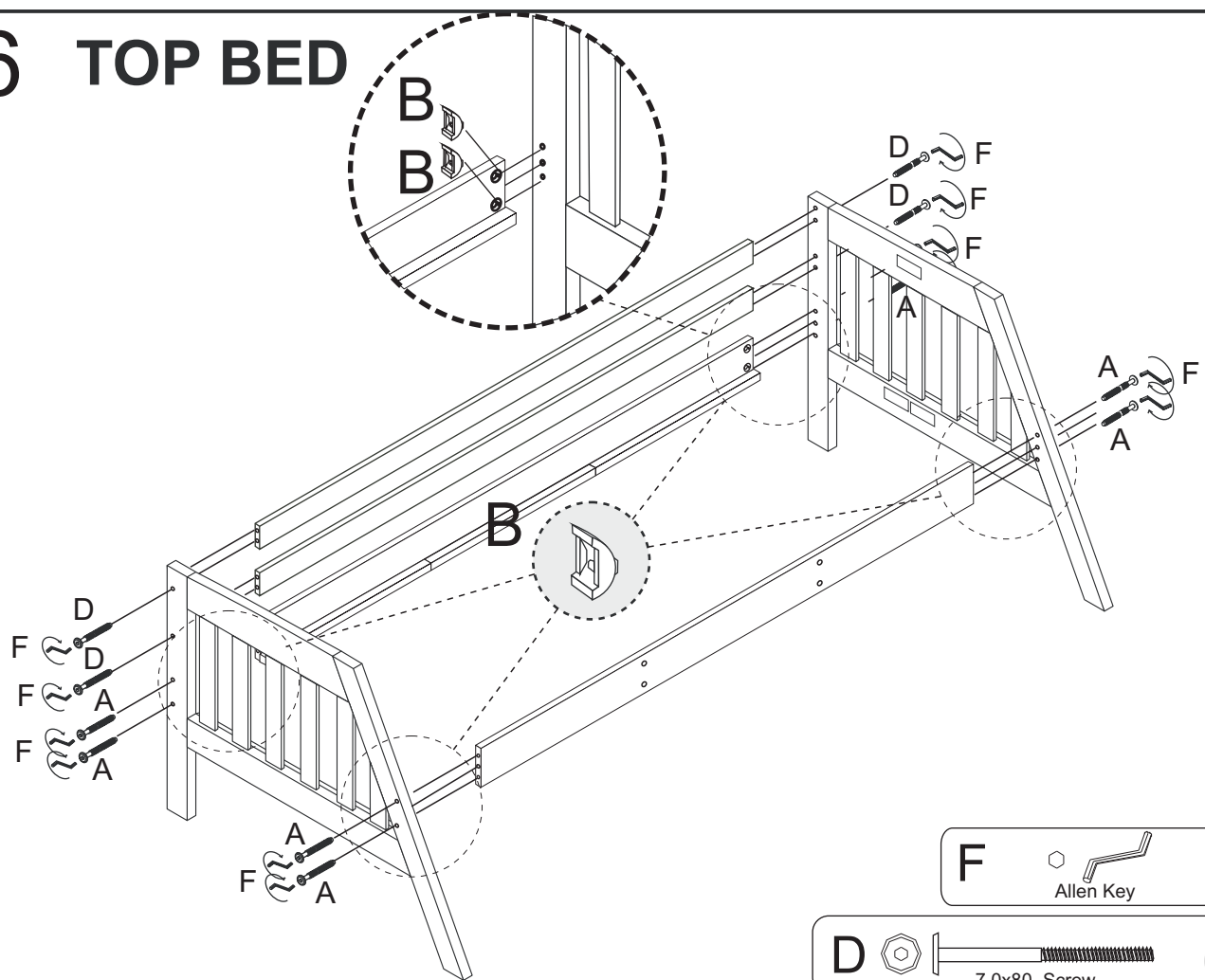
Tool Required





(Phillips Key)

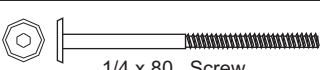
E		Qty
	4,0 x 30 Screw	12

06 TOP BED



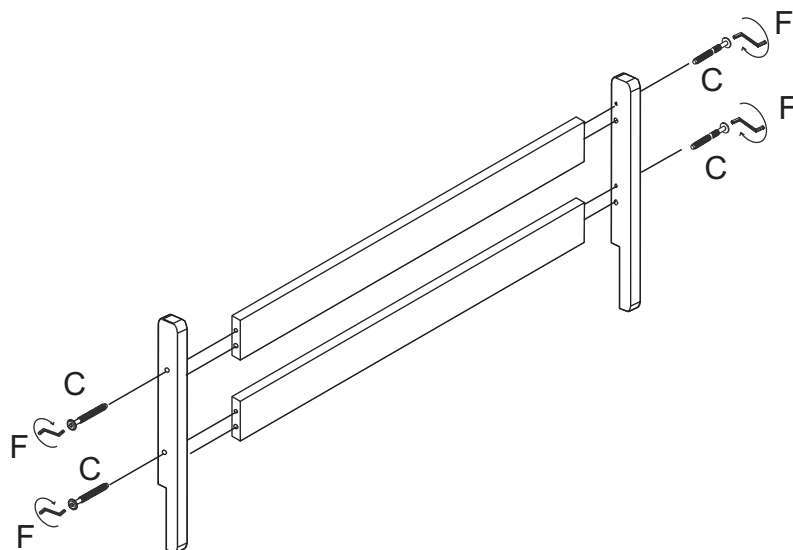
F  Qty **01**
Allen Key

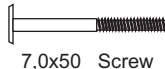
D  Qty **04**
7,0x80 Screw


A  Qty **08**
1/4 x 80 Screw

B  Qty **08**
1/4" Half Moon

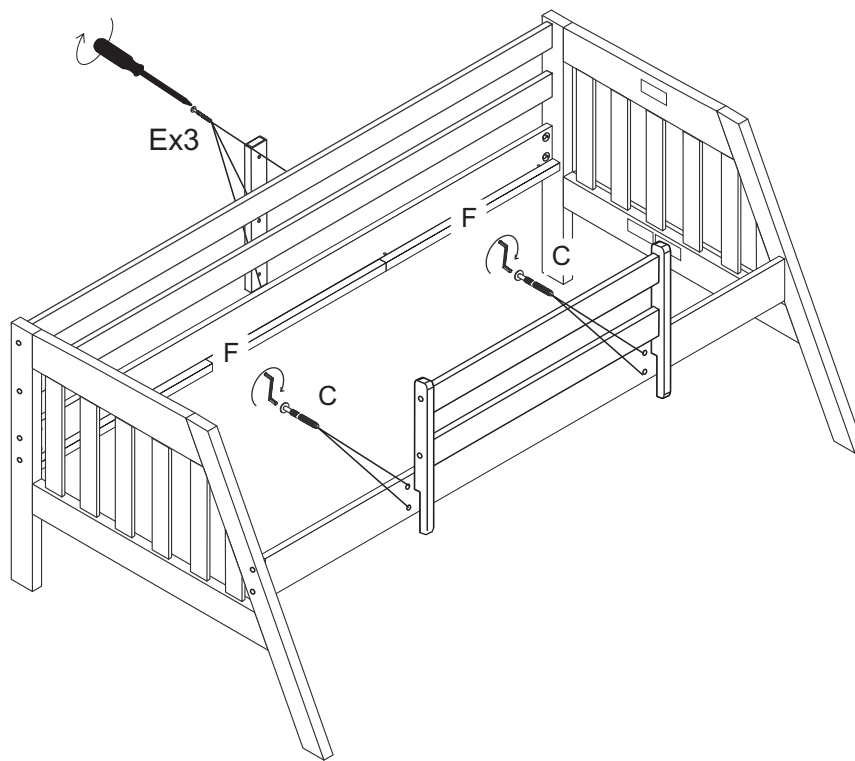
07



C  Qty **04**
7,0x50 Screw

F  Qty **01**
Allen Key

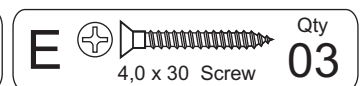
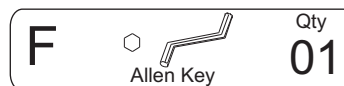
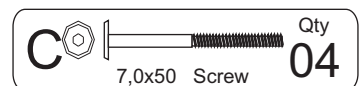
08



Tool Required

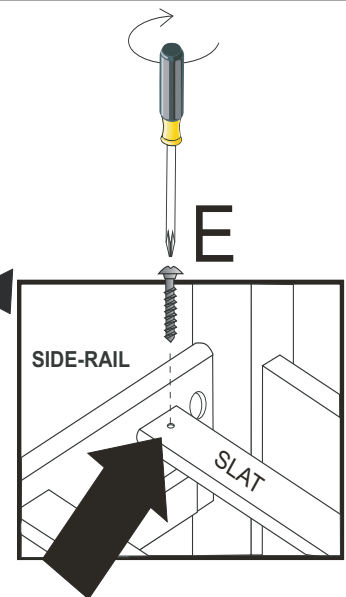
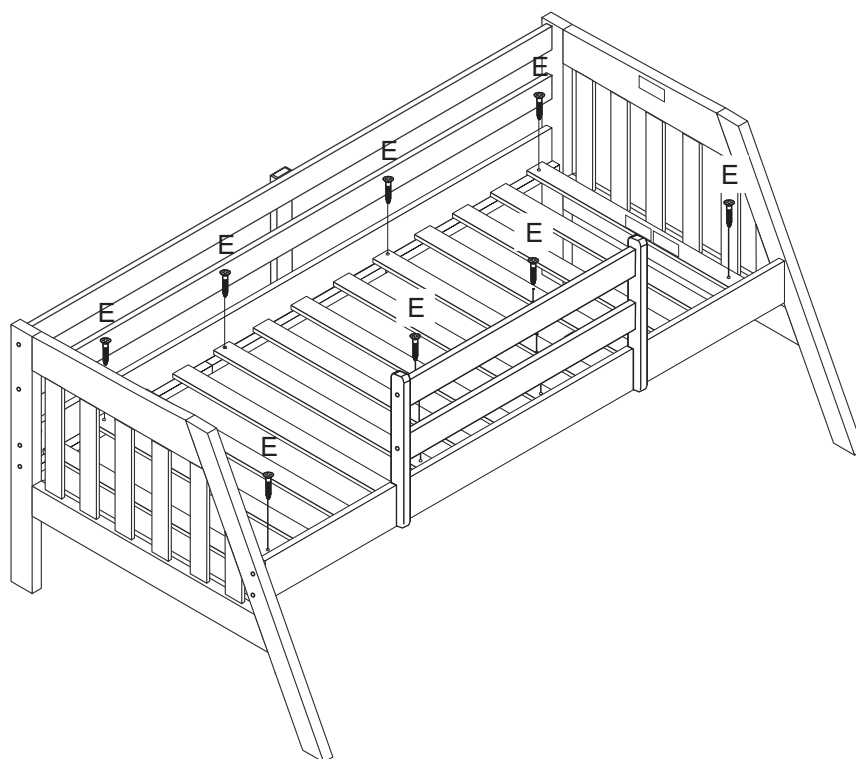


(Phillips Key)



09

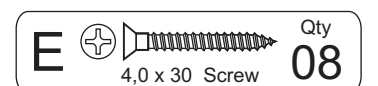
!
The first slats must be fixed at 3" from each headboard end.



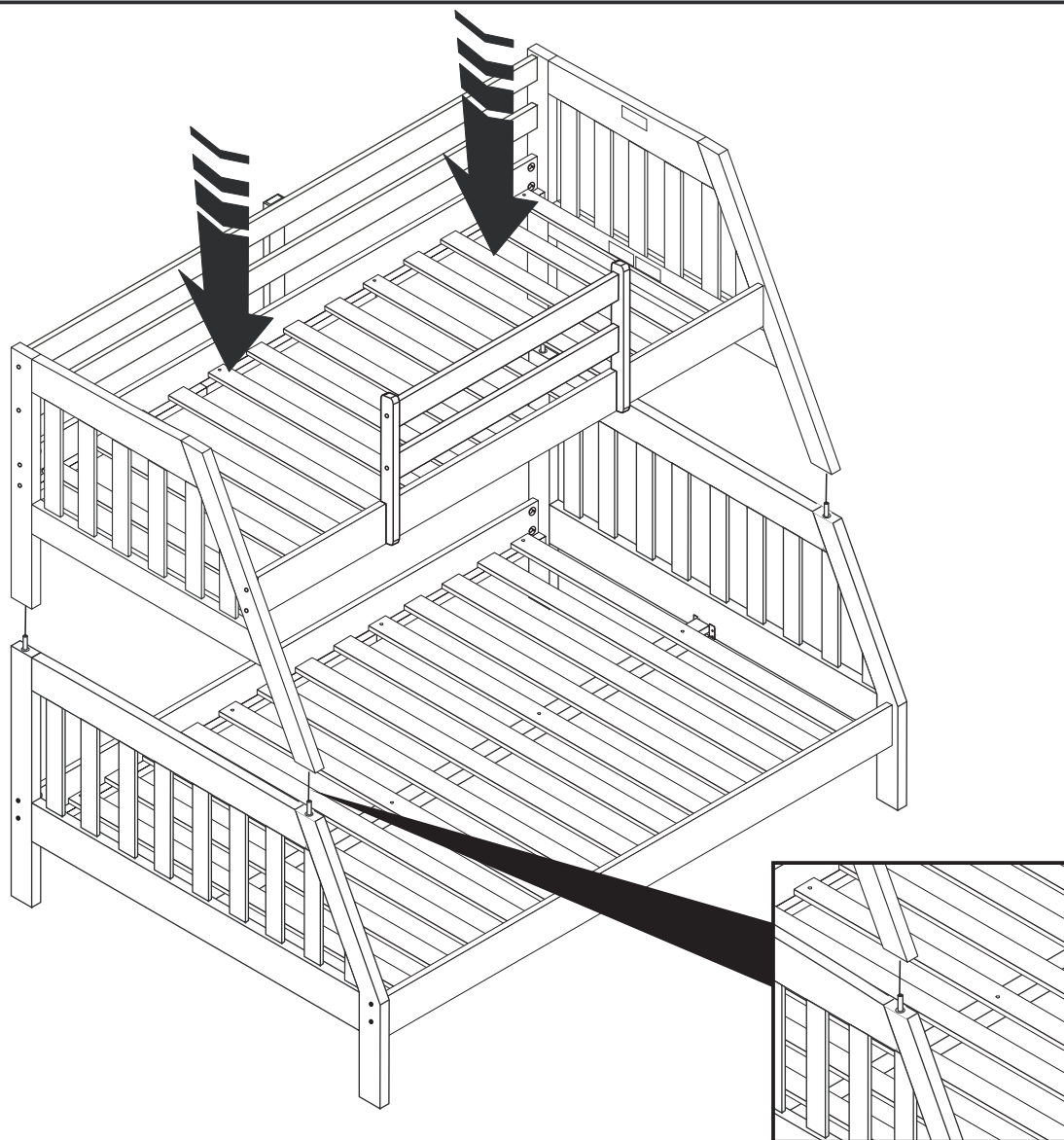
Tool Required



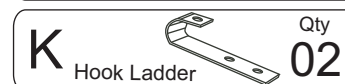
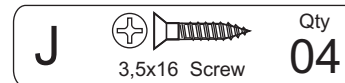
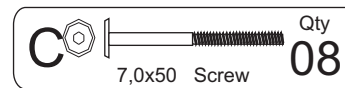
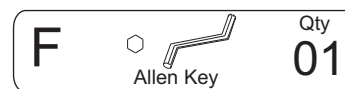
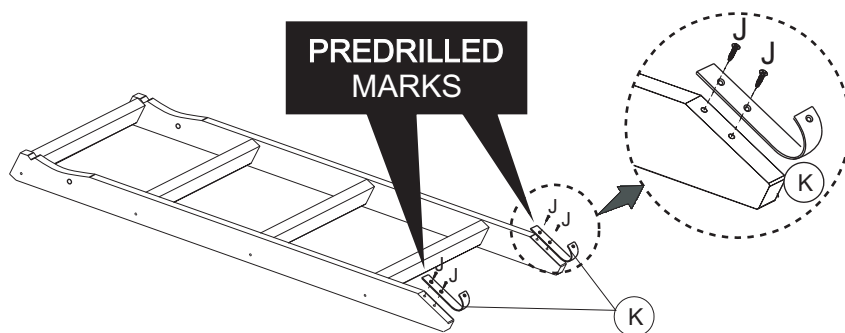
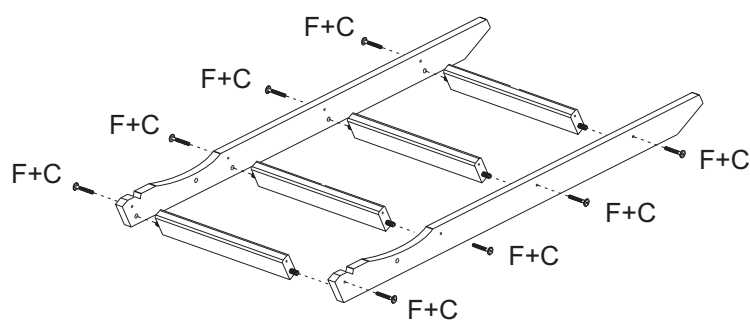
(Phillips Key)



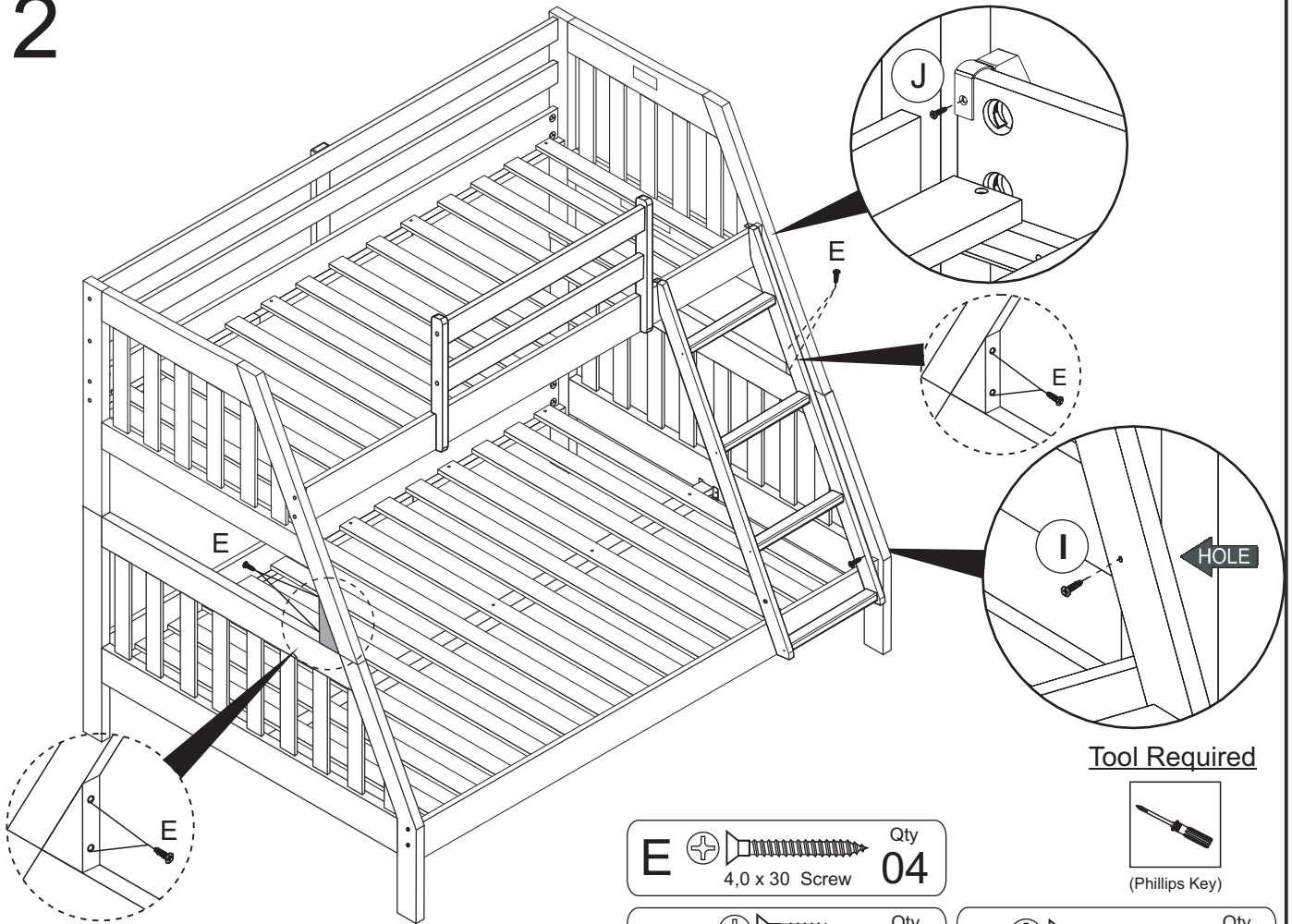
10



11



12



Tool Required



(Phillips Key)

E		Qty 04
4,0 x 30 Screw		

J		Qty 02
3,5x16 Screw		

I		Qty 01
4,0 x 50 Screw		

13

