



3PT FORKS

OWNER'S MANUAL



WARNING:

Read carefully and understand all **ASSEMBLY AND OPERATION INSTRUCTIONS** before operating. Failure to follow the safety rules and other basic safety precautions may result in serious personal injury.

Model# FTF-38PF3PT

Thank you very much for choosing this product! For future reference, please complete the owner's record below:

Model: _____ Purchase Date: _____

Save the receipt, warranty and these instructions. It is important that you read the entire manual to become familiar with this product before you begin using it.

This product is designed for certain applications only. The manufacturer cannot be responsible for issues arising from modification. We strongly recommend this product not be modified and/or used for any application other than that for which it was designed. If you have any questions relative to a particular application, DO NOT use the product until you have first contacted us to determine if it can or should be performed on the product.

For technical questions please call **1-218-943-6296**.

INTENDED USE

Designed for Category 1 3pt Tractors to move pallets or other equipment.

TECHNICAL SPECIFICATIONS

Item	Description
Size:	42.9 x 32 x 25.7 in
Capacity:	1000 LBS

GENERAL SAFETY RULES



WARNING: Read and understand all instructions. Failure to follow all instructions listed below may result in serious injury.



CAUTION: Do not allow persons to operate or assemble the 3pt forks until they have read this manual and have developed a thorough understanding of how the 3pt forks work.



WARNING: The warnings, cautions, and instructions discussed in this instruction manual cannot cover all possible conditions or situations that could occur. It must be understood by the operator that common sense and caution are factors which cannot be built into this product, but must be supplied by the operator.

SAVE THESE INSTRUCTIONS

WORK AREA

- **Keep work area clean**, free of clutter and well lit. Cluttered and dark work areas can cause accidents.
- **Keep children and bystanders** away while operating the 3pt forks. Distractions can cause you to lose control, so visitors should remain at a safe distance from the work area.
- **Be alert of your surroundings.** Using the 3pt forks in confined work areas may put you dangerously close to cutting tools and rotating parts.

PERSONAL SAFETY

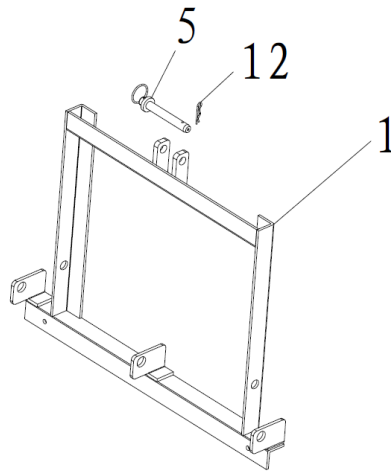
- **Stay alert**, watch what you are doing and use common sense when using 3pt forks. Do not use the 3pt forks while you are tired or under the influence of drugs, alcohol or medication. A moment of inattention while operating a may result in serious personal injury.
- **Dress properly.** Do not wear loose clothing, dangling objects, or jewelry. Keep your hair, clothing and gloves away from moving parts. Loose clothes, jewelry or long hair can be caught in moving parts.
- **Use safety apparel and equipment.** Use safety goggles or safety glasses with side shields which comply with current national standards, or when needed, a face shield. Use a dust mask if working in dusty work conditions. This applies to all persons in the work area. Also use non-skid safety shoes, hardhat, heavy-duty work gloves, dust collection systems, and hearing protection when appropriate.

3PT FORKS USE AND CARE

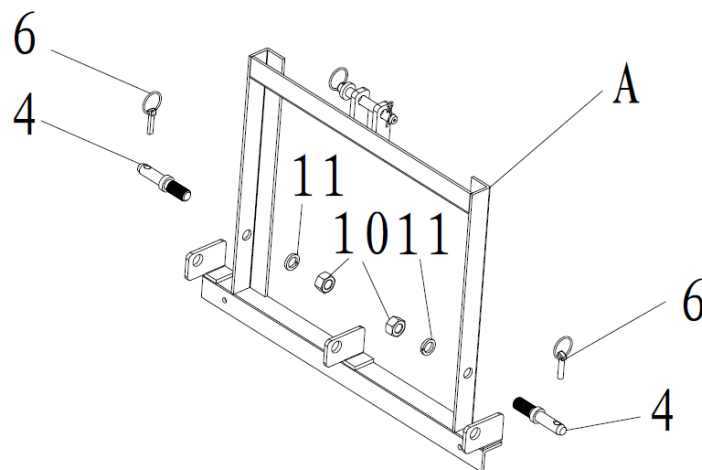
- **Do not modify the 3pt forks in any way.** Unauthorized modification may impair the function and/or safety and could affect the life of the equipment. There are specific applications for which the 3pt forks were designed.
- **Always check for damaged or worn out parts before using the 3pt forks.** Broken parts will affect the 3pt forks operation. Replace or repair damaged or worn parts immediately.
- **Do not exceed the 3pt forks load capacity.**
- **Distribute the load evenly.** Uneven loads may cause the 3pt forks to tip, resulting in personal injury to the operator or others.
- **Use the 3pt forks on flat and level surfaces** capable of supporting the 3pt forks and its maximum load. Pulling or pushing a load on a slanted or uneven surface can result in loss of control.
- **Store idle 3pt forks.** When the 3pt forks are not in use, store it in a secure place out of the reach of children. Inspect it for good working condition prior to storage and before re-use.

ASSEMBLY

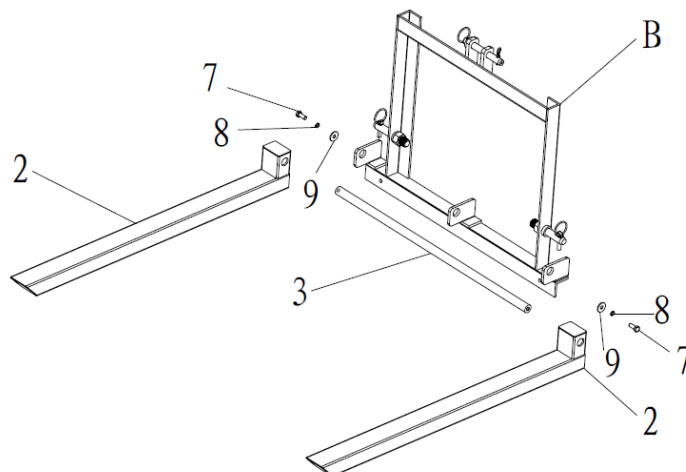
1. Install Joint Pin (#5) and R-Pin (#12) onto the 3-Point Mount Frame (#1) as Part A..



2. Assemble hardware parts Joint Pin with Threaded End (#4), Lynch Pin (#6), Hex Nut (#10) and Spring Washer (#11) onto Part A as Part B.



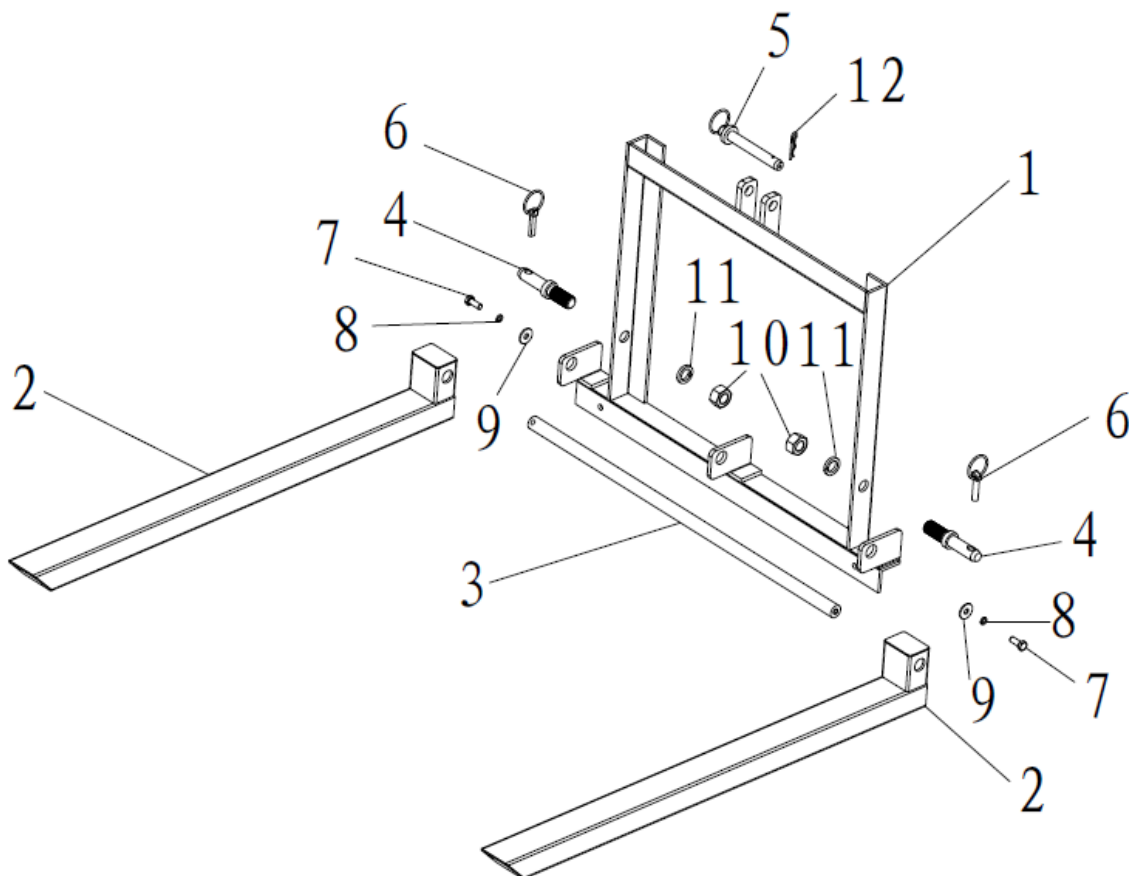
3. Attach Fork (#2), Round Bar (#3) with Part B by using Hex Bolt (#7), Spring Washer (#8) and Washer (#9).



MAINTENANCE

- **Maintain your 3pt forks** It is recommended that the general condition of any 3pt forks be examined before it is used. Keep your 3pt forks in good repair by adopting a program of conscientious repair and maintenance. If any abnormal vibrations or noise occurs, have the problem corrected before further use. Have necessary repairs made by qualified service personnel.

DIAGRAM & PARTS LIST



Part#	Description	Qty.	Part#	Description	Qty.
1	3-Point Mount Frame	1	7	Hex Bolt M10X25	2
2	Fork	2	8	Spring Washer 10	2
3	Round Bar	1	9	Washer 10	2
4	Joint Pin with Threaded End	2	10	Hex Nut M22	2
5	Joint Pin	1	11	Spring Washer 22	2
6	Lynch Pin	2	12	R-Pin 4.5	1

For replacement parts and technical questions, please call 1-218-943-6296.

WARRANTY

One-year limited parts warranty



PO BOX 203
Miltona, MN 56354

MADE IN CHINA