

# 40V Lithium-Ion Cordless Blower

## Operator's Manual



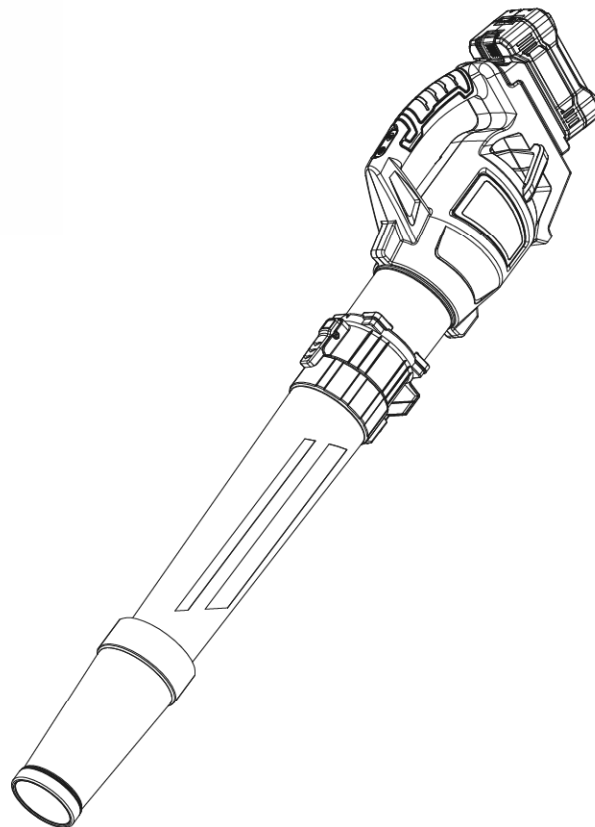
### MODEL NUMBER

**B4111T**

### SERIAL NUMBER

### PURCHASE DATE

Both model number and serial number may be found on the main label. You should record both of them in a safe place for future use.



---

## FOR YOUR SAFETY

*READ AND UNDERSTAND THE ENTIRE MANUAL BEFORE OPERATING MACHINE*

---

Your new FULL BOAR® battery cordless blower offers professional quality construction, and is easy and safe to operate. With proper use and care, it is designed to give you many years of dependable service.

Introducing our FULL BOAR® Battery-Powered Blower - the epitome of efficiency and environmental friendliness! With zero emissions and the intelligent brushless motor, let you experience the freedom of corless convenience as you effortlessly navigate through your yard.

### Discover the FULL BOAR Advantage

At FULL BOAR, we understand that land ownership definitely has its privileges, but it also comes with a great deal of responsibility. When duty calls and you need to respond, will you have what it takes to tame the great outdoors?

When looking for outdoor power equipment (OPE) to get the job done right, at the right price, FULL BOAR delivers the perfect combination of performance and practicality. FULL BOAR has a solution that's right for you.

### MAX Performance, MAX Value, MAX Support

- ✓ Backed by decades of proven manufacturing expertise
- ✓ Enhanced design features come standard
- ✓ Engineered for the best user experience
- ✓ Quality metal parts are used instead of plastic
- ✓ A robust warranty supports all products
- ✓ Budget-friendly prices make it practical



*Up for the job? FULL BOAR is.*

---

## TABLE OF CONTENTS

---

Introduction	1
Specifications	4
Symbols	5
Safety	6
Contents Supplied	9
Assembly	10

Know Your Machine	11
Operation	12
Maintenance	15
Transport & Storage	16
Troubleshooting	17
Parts Diagram	19

**! WARNING** Carefully read through this entire operator's manual before using your new unit. Pay attention to all cautions and warnings.

This Cordless Blower is intended to be used by residential homeowners. Easy to start, easy to handle, making yard maintenance more convenient.

**! WARNING CALIFORNIA PROPOSITION 65 WARNING**  
Cancer and Reproductive Harm. [www.P65Warnings.ca.gov](http://www.P65Warnings.ca.gov).

### ENVIRONMENTAL

Waste electrical products should not be disposed of with household waste. Please recycle where facilities exist. Check with your local authority or retailer for recycling advice. The battery contains material which is hazardous to you and the environment. It must be removed and disposed of separately at a facility that accepts lithium-ion batteries.

### MODEL AND SERIAL NUMBERS

Record the model and serial number as well as date and place of purchase for future reference. Have this information available when ordering parts or optional accessories and when making technical or warranty inquiries.

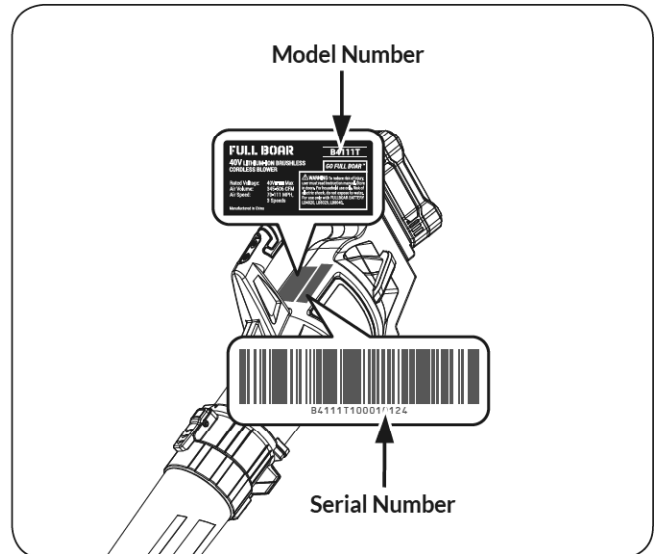
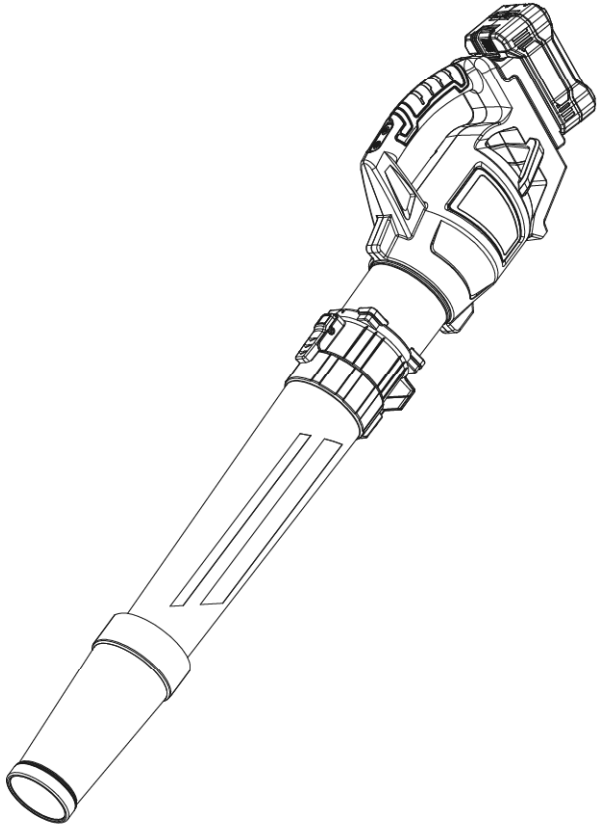


Figure 1

### DISCLAIMER

Manufacturer reserves the right to discontinue, change, and improve its products at any time without notice or obligation to the purchaser. The descriptions and specifications contained in this manual were in effect at printing. Equipment described within this manual may be optional. Some illustrations may not be applicable to your unit.



## SUPPORT

Have questions about your FULLBOAR equipment?  
Call us at (888) 533-2999, email us at [Support@gofullboar.com](mailto:Support@gofullboar.com), or contact us via your favorite social media site.

## SPECIFICATIONS

Model #	B4111T1	B4111T0
Voltage	40 V	
Battery Included	Battery Model No. LB4020	NO
Battery Amp Hours	2.0 A	
Number of Batteries Included	1	0
Charger Included	Charger Model No. LC4010	NO
Maximum Air Volume	506 CFM	
Maximum Air Velocity	110 MPH	
Weight (lbs)	6.1 lbs	4.3 lbs



### **NOTE**

*The machine specification varies with different models. Some illustration may not be applicable to your unit. Everything is subject to the actual item.*

## SYMBOLS

The rating plate on your machine may show symbols. These represent important information about the product or instructions on its use.



DANGER  
WARNING  
CAUTION



Read these instructions carefully.



Wear approved hearing protection.



Wear eye protection with side shields marked to comply with ANSI Z87.1.



WARNING marking concerning Risk of Fire. Do not cover Charger ventilation ducts. Charge on fireproof surface only.



WARNING marking concerning Risk of Electric Shock. Properly connect Charger's power cord to appropriate outlet.



Caution: Lithium battery-powered Blower. Do not expose to rain. Keep battery and electrical components dry to prevent damage. Failure to use in dry conditions and to observe safe practices can result in electric shock.



To reduce the risk of injury, do not put your hands near or put your hands into the tube and blowpipe. Do not touch the fan.



Risk of fire and burns. Do not expose battery, battery compartment, or electronic components to rain, water, or liquids. Do not operate on wet ground.



To reduce the risk of injury, do not remove the tube during use.



Caution! Do not wear long hair uncovered. Use a hair net.



Caution! Beware of the thrown objects. Thrown objects can ricochet and result in personal injury or property damage.



Do not point the blower nozzle in the direction of people or pets.



Never leave blower running unattended. Before leaving the blower, or not blowing, turn power off to avoid possible serious personal injury.

## SAFETY

The definitions below give the level of severity for each signal word.



### **DANGER**

*This symbol points out important safety instructions. This machine was built to be operated according to the safe operation practices in this manual. As with any type of power equipment, carelessness or error on the part of the operator can result in serious injury. This machine is capable of amputating fingers, hands, toes and feet and throwing foreign objects. Failure to observe the safety instructions could result in serious injury or death.*



### **WARNING**

*This symbol points out safety instructions. Read and follow all instructions before attempting to operate this machine. Failure to comply with these instructions may result in personal injury.*



### **CAUTION**

*This symbol indicates a hazard, which, if not avoided, may result in minor or moderate injury.*



### **NOTE**

*This information makes the product easier to use.*

## GENERAL SAFETY RULES

### UNDERSTAND YOUR MACHINE

1. Read this manual and labels affixed to the machine to understand its limitations and potential hazards before attempting to assemble this machine. Read, understand, and follow all instructions on the machine and in the manuals before operation.
2. Basic safety precautions should always be followed when using electric blower, in order to reduce the risk of fire, electric shock, and personal injury.
3. Be thoroughly familiar with the controls and their proper operation. Know how to stop the machine and disengage the controls quickly.
4. Keep the manual in a safe place for future and regular reference.
5. If the unit is to be used by someone other than original purchaser or loaned, rented, or sold, always provide this manual and any needed safety training before operation. The user can prevent and is responsible for accidents or injuries that may occur to themselves, other people, and property.
6. This machine is a precision piece of power equipment, not a plaything. Therefore, exercise extreme caution at all times. This machine has been designed to perform one job: to clear debris, sticks and leaves. Do not use it for any other purpose.
7. Do not force the machine. Use the correct machine for your application. The correct machine will do the job more efficiently and safely at the rate it was designed.

### PERSONAL SAFETY

1. Do not point the blower nozzle in the direction of people or pets.
2. Check the work area before each use. Remove all objects such as rocks, broken glass, nails, wire, or string which can be thrown or become entangled in the machine.

3. To help avoid the thrown object injury, stay in operator zone behind handles and keep children, pets, and other people not using the unit away from the work area. Be alert and shut off unit if anyone enters work area. Keep children under the watchful care of a responsible adult.
4. Do not operate the machine while under the influence of drugs, alcohol, or any medication that could affect your ability to use it properly.
5. Wear sturdy, rough-soled work shoes and close-fittingslacks and shirts. Shirts and pants that cover the arms and legs and steel-toed shoes are recommended. Never operate this machine in bare feet, sandals, slippery or lightweight (e.g. canvas) shoes.
6. Protect eyes, face, and head from objects that may be thrown from the unit. Always wear safety goggles or safety glasses with side shields when operating and while performing an adjustment or repair.
7. Always use approved ear protection while you operate the product. Noise for a long period can cause noise-induced hearing loss.

### BATTERY SAFETY

1. Use only approved replacement batteries, other batteries may cause injury or damage to the blower.
2. Do not crush, drop, or damage battery pack. Do not use a battery pack or charger that has been dropped or received a sharp blow. A damaged battery is subject to explosion. Properly dispose of a dropped or damaged battery immediately.
3. Batteries can explode in the presence of a source of ignition, such as a pilot light. Keep away from damp or wet locations as it could be a risk of electric shock.
4. For best results, your battery should be charged in a location where the temperature is more than 43°F but less than 122°F. To reduce the risk of

serious personal injury, do not store outside or in vehicles.

5. Under extreme usage or temperature conditions, battery leakage may occur. Avoid contact with skin. If in contact with skin, rinse immediately with running clean water for at least 10 minutes to reduce risk of serious personal injury. Seek immediate medical attention
6. When battery pack is not in use, keep it away from other metal objects like: paper clips, coins, keys, nails, screws, or other small metal objects that can make a connection from one terminal to another. Shorting the Battery Pack terminals together may cause burns or a fire.
7. Always remove battery from your tool when you are assembling parts, making adjustments, cleaning, or when not in use. Removing the battery pack will prevent accidental starting that could cause serious personal injury.
8. Always remove battery before storing the device. When battery becomes fully charged, unplug the charger from the power supply and remove the battery pack from the charger
9. Keep battery pack dry, clean, and free from oil and grease. Always use a clean cloth when cleaning.
10. When transporting or serving unit, always remove the battery.
11. Under abusive conditions, liquid may be ejected from the Battery Pack; avoid contact. If contact accidentally occurs, flush with water. If liquid contacts eyes, additionally seek medical help. Liquid ejected from the battery pack may cause irritation or burns.

#### CHARGE SAFETY

1. Do not expose a battery pack or power tool to fire or excessive temperature. Exposure to fire or temperature above 212°F may cause explosion. The battery Charger gets hot during use. The Charger's heat can build up to unsafe levels and create a fire hazard if it does not receive adequate ventilation. Do not place the Charger on a flammable surface. Do not obstruct any vents on the Charger. Especially avoid placing the charger on carpets and rugs; they are not only flammable, but they obstruct vents under the charger. Place the Charger on a stable, solid, nonflammable surface (such as a stable metal workbench or concrete floor) at least 1 foot away from all flammable objects, such as drapes or walls. Keep a fire extinguisher and a smoke detector in the area. Frequently monitor the Charger and Battery Pack while charging.
2. Charge the blower battery in a dry area that is protected from the weather. Do not expose the charger to rain. Do not charge the battery in a wet location. Operate the battery charger in temperatures between 43°F and 122°F. In order to reduce the risk of electric shock, use only the charger that is provided by the manufacturer to charge the battery.
3. Follow all charging instructions and do not charge the battery pack or power tool outside of the temperature range specified in the instructions. Charging improperly or at temperatures outside of the specified range may damage the battery and increase the risk of fire.
4. Have servicing performed by a qualified repair person using only identical replacement parts. This will ensure that the safety of the product is maintained.
5. Do not abuse the charger cord. Never carry the charger by the cord. Do not disconnect the charger from the outlet by pulling the charger cord.
6. Do not use a damaged charger. Replace the charger cords or the charger immediately.

7. Keep the blower and the charger away from water, heat sources (radiators, heaters, stoves, etc.).
8. Make sure the battery is secured in the charger.
9. The battery will become slightly warm to the touch while charging. This is normal and does not indicate a problem.
10. Do not place the charger and battery pack in an area of extreme heat or cold. They will work best at normal room temperature.
11. When batteries become fully charged, unplug the charger from the power supply and remove the battery.
12. Charge indoors only.
13. Charger plugs must match the outlet. Never modify the plug in any way. Unmodified plugs and matching outlets will reduce risk of electric shock.
14. Store idle chargers out of the reach of children and do not allow persons unfamiliar with the charger or these instructions to operate the Charger.
15. Maintain chargers. Check for breakage of parts and any other condition that may affect the Charger's operation. If damaged, have the Charger repaired before use.
16. Inspect before every use; do not use if parts are loose or damaged.
17. Use as intended only.
18. Maintain labels on the Charger. These carry important safety information. If unreadable or missing, contact our service for a replacement.
19. This product is not a toy. Keep it out of reach of children.
20. People with pacemakers should consult their physician(s) before use. Electromagnetic fields in close proximity to heart pacemaker could cause pacemaker interference or pacemaker failure. In addition, it could cause electrical shock if the machine is not inspected and maintained properly.

#### PRODUCT LIABILITY

As referred to in the product liability laws, we are not liable for damages that our product causes if:

- the product is incorrectly repaired.
- the product is repaired with parts that are not from the manufacturer or not approved by the manufacturer.
- the product has an accessory that is not from the manufacturer or not approved by the manufacturer.
- the product is not repaired at an approved service center or by an approved authority.



## SPECIFIC SAFETY RULES

### OPERATION SAFETY

1. This machine has been designed to perform one job: to clear debris, sticks and leaves. Do not use it for any other purpose.
2. Operate the product only in daylight or in good artificial light. Walk, never run.
3. Never run the unit without the proper equipment attached. Always ensure the blower tubes are installed.
4. Do not touch parts that are hot from operation. Allow parts to cool before attempting to maintain, adjust, or service. Serious burns may result.
5. The battery operated blower with integral batteries or a separate battery pack must be recharged only with the specified charger for the battery. A charger that may be suitable for one type of battery may create a risk of fire when used with another battery.
6. Do not direct the blower nozzle toward people or pets.
7. Do not operate with a damaged battery. If the appliance malfunctions, has been dropped, damaged, exposed to outdoor conditions, or submerged in water, please return it to an authorized service center.
8. Do not insert objects into the openings. Do not operate if any openings are blocked; ensure they remain clear of dust, lint, hair, or any obstructions that could restrict airflow. Do not allow debris to be ingested into blower intake.
9. Do not leave the appliance connected to the battery. Remove the battery when the appliance is not in use and before servicing.
10. Stay alert, watch what you are doing, and use common sense when operating the machine.
11. Secure long hair above shoulder level to prevent entanglement in moving parts.
12. Do not overreach. Do not operate the machine while barefoot or when wearing sandals or similar lightweight footwear. Wear protective footwear that will protect your feet and improve your footing on slippery surfaces. Keep proper footing and balance at all times. This enables better control of the machine in unexpected situations.
13. If the equipment start to vibrate abnormally, stop the motor and check immediately for the cause. Vibration is generally a warning of trouble.
14. Do not use the blower to disperse chemicals, fertilizers, or any other hazardous substances. Doing so could cause serious harm to the operator or bystanders.
15. Use extra care when cleaning on stairs or steps.
16. Turn off all controls before removing battery.
17. Do not charge the unit outdoors.
18. Do not use the charger if the cord or plug is damaged, as it may result in a short circuit and electric shock.
19. This manual cannot include all situations that can occur when you use the product. Be careful and use your common sense. Do not operate the product or do maintenance to the product if you are not sure about the situation. Contact Customer Support for assistance.

### WORK AREA SAFETY

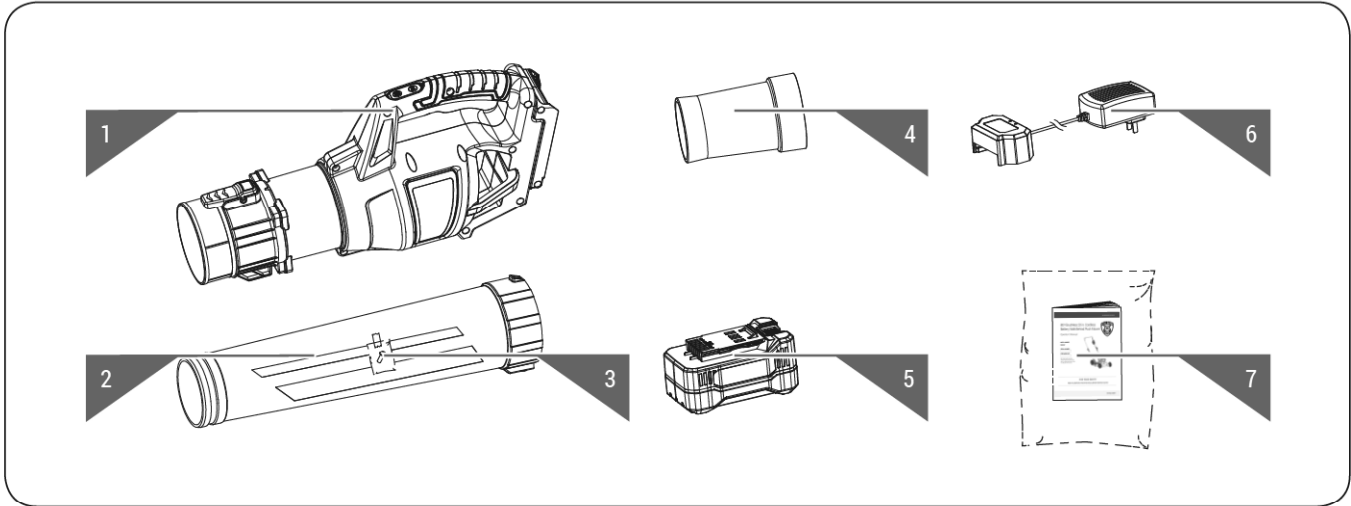
1. Remove branches, twigs, stones and other objects from the workarea before you use the blower.
2. Keep persons, including children, and animals at a safe distance from the work area.
3. Do not use the product in bad weather, including fog, rain, moist or wet locations, strong winds, intense cold and risk of lightning. Doing work in bad weather can cause fatigue and dangerous conditions.
4. Examine your work area to make sure that your control of the product cannot be prevented.
5. Be careful of roots, stones, twigs, pits and ditches.
6. Operate the product only in daylight or in good artificial light.
7. Be careful when you go near hidden corners and objects that can prevent your view.
8. Maintain a high level of caution when you reverse or pull the product in your direction.

### MAINTENANCE SAFETY

1. Before cleaning, repairing, or inspecting the product, turn it off and make certain all moving parts have stopped.
2. Keep all nuts, bolts, and screws tight to be sure the equipment is in safe working condition. Replace damaged parts with the original equipment manufacturer's (O.E.M.) parts only, listed in this manual. Use of parts which do not meet the original equipment specifications may lead to improper performance and compromise safety!
3. Accessories and changes to the product that are not approved by the manufacturer can cause serious injury or death. Do not alter the product. Always use accessories that are approved by the manufacturer.
4. Turn off all controls before removing battery.
5. Disconnect the battery pack from the blower before making any adjustments, changing accessories, servicing, moving or storing the unit.
6. Maintain the blower and its handle in a dry, clean condition, free from oil and grease. Avoid using brake fluids, gasoline, petroleum-based products, or strong solvents for cleaning.
7. Blower maintenance should only be carried out by trained and qualified repair personnel. And ensure that during blower maintenance, use only identical replacement parts.
8. Do not dispose of a severely damaged or worn out battery pack or this blower by incinerating. The battery can explode.
9. If the maintenance is not done correctly and regularly, the risk of injury and damage to the product increases.

## CONTENTS SUPPLIED

Your Full Boar cordless blower comes partially assembled and contains the following:



### NOTE

*Before beginning assembly of product, make sure all parts are present. Compare parts with below package contents list. If any part is missing or damaged, do not attempt to assemble the product.*

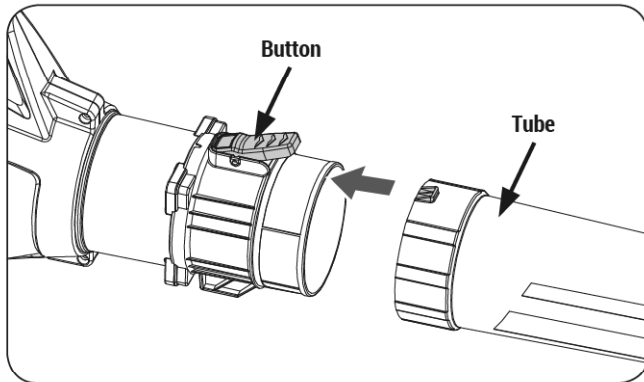
- |                        |   |
|------------------------|---|
| 1. Main Machine        | 5. Battery (Included in Model B4111T1, Not included in Model B4111T0) |
| 2. Tube                | 6. Charger (Included in Model B4111T1, Not included in Model B4111T0) |
| 3. Tapping Screw       | 7. Operator's Manual  |
| 4. Concentrator Nozzle |   |

## ASSEMBLY

This blower was partially assembled at the factory. To assemble your machine follow the below instructions.

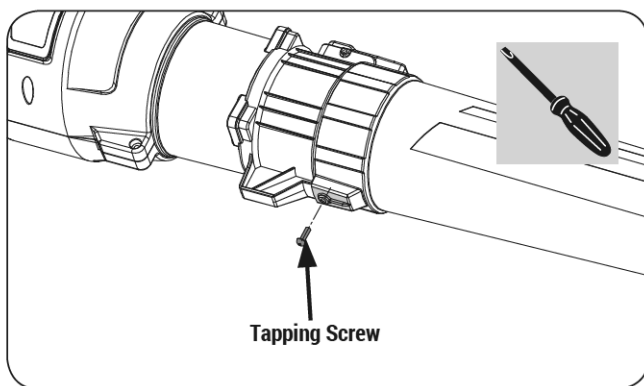
### TUBE

1. Press the button to lift the front side, aligning it with the notch above the Tube. (See **Figure 2**)



**Figure 2**

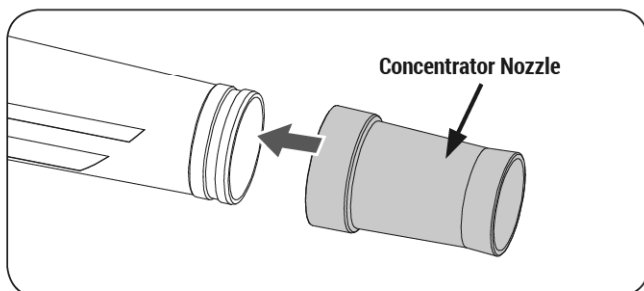
2. Install the Tapping Screw to secure the Tube. (See **Figure 3**)



**Figure 3**

### CONCENTRATOR NOZZLE

Install the Concentrator nozzle to the blow Tube. (See **Figure 4**)



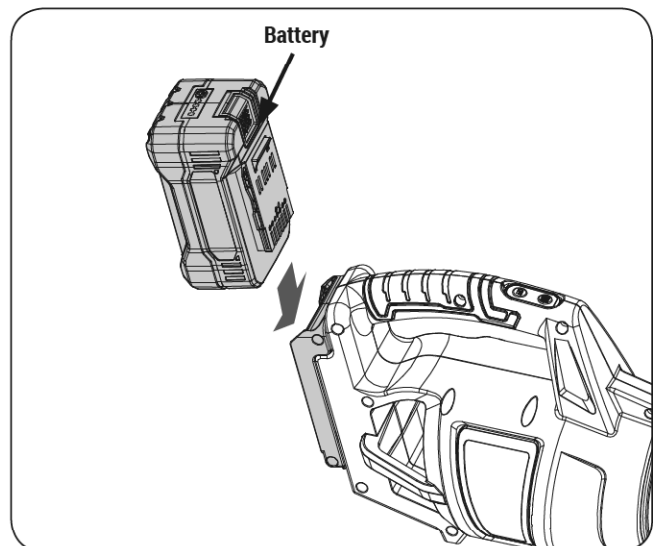
**Figure 4**

### BATTERY

**NOTE** Charge the battery as described in the charging section under **OPERATION**

**WARNING** If the machine is not going to be used immediately, remove the battery.

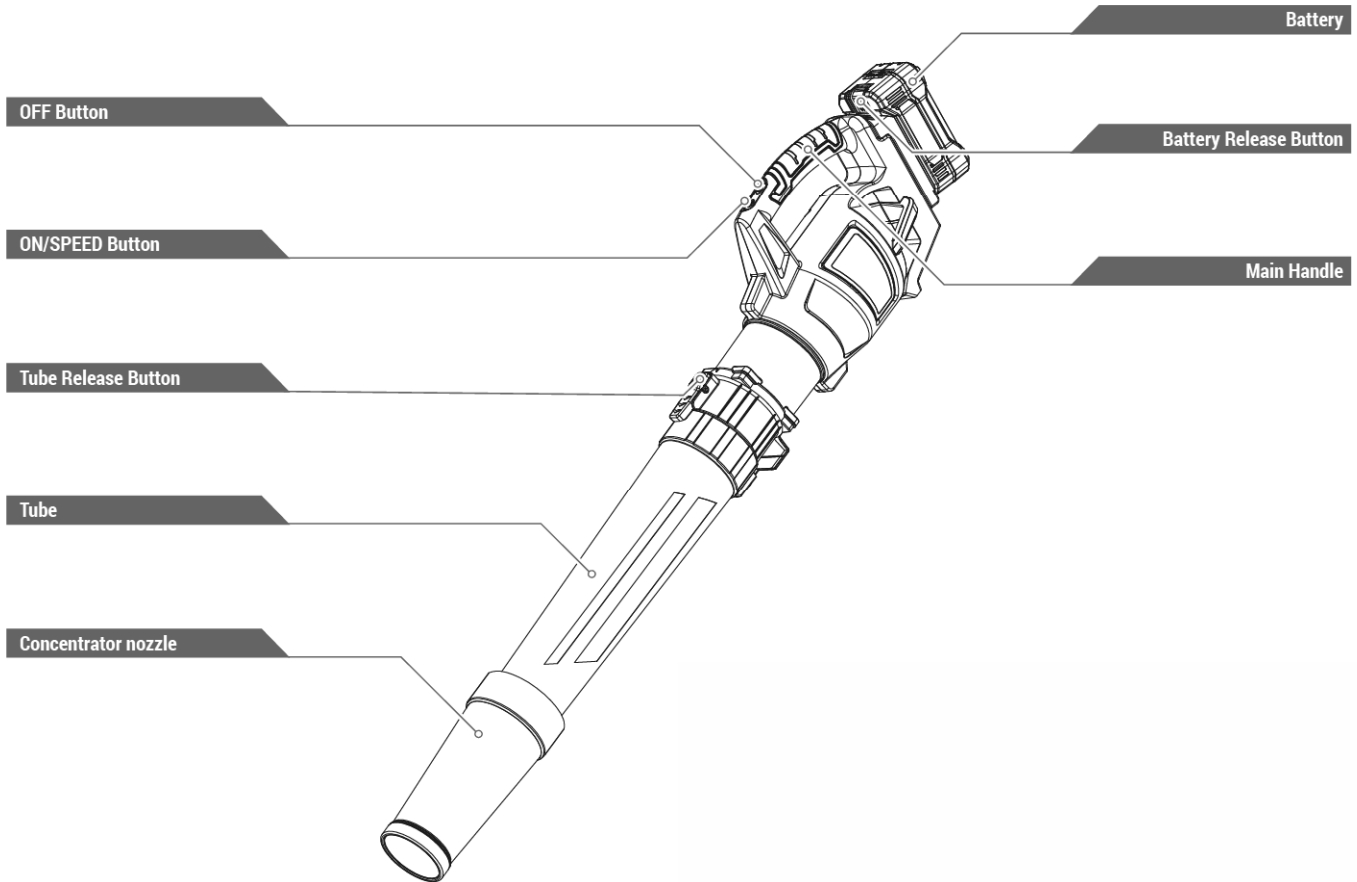
Install the battery pack. When you hear a click, the battery is installed. (See **Figure 5**)



**Figure 5**

# KNOW YOUR MACHINE

## FEATURES AND CONTROLS



### ON/SPEED Button

- Regulates the speed of blower. Total three speeds. Press the button once to start at the lowest speed. Press the button again to accelerate. Press the button for the fourth time to return to the lowest speed.



### OFF Button

- Stop the blower.

### Battery Release Button

- Press to remove the battery pack.

### Tube Release Button

- Press to install or remove the Tube.

### Main Handle

- Grasp the main handle for proper use of the leaf blower.

### Battery

- Provide the necessary electrical energy to the product.

### Tube

- To direct and focus the airflow produced by the blower, allowing for efficient blowing and removal of leaves and debris from targeted areas.

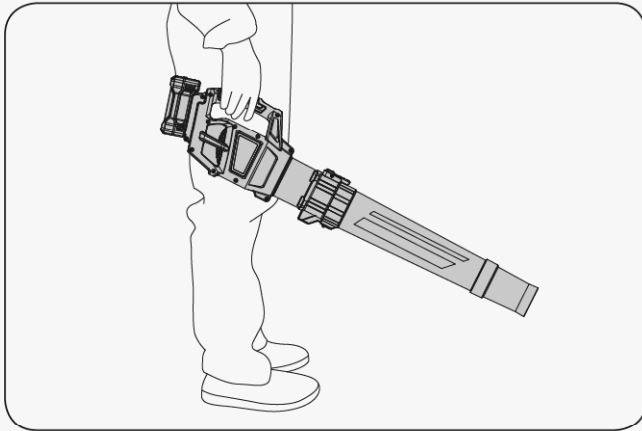
### Concentrator Nozzle

- For precise blowing and targeting of leaves and debris.

## OPERATION

### STARTING

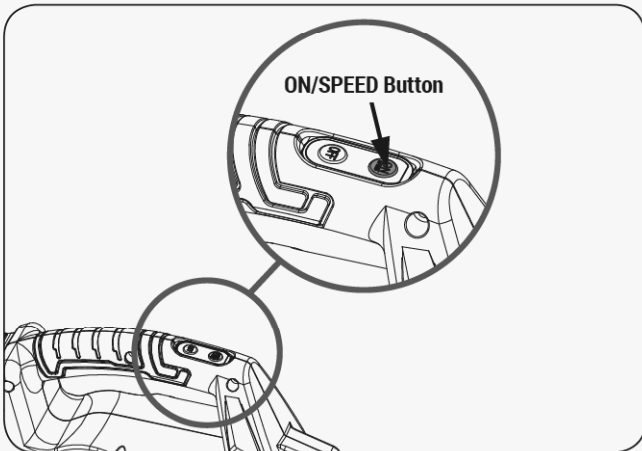
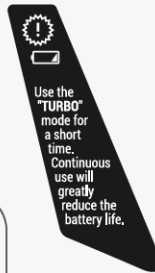
1. Check and ensure the battery is properly installed.
2. Hold Blower in proper position- one hand on the main handle, with the Tube several inches off the ground. (See **Figure 6**)



**Figure 6**

3. Press the On/speed button to start the blower. 3 adjustable speeds, LOW/HIGH/TURBO. Press the button to increase the air speed from LOW to HIGH to TURBO, press the fourth time will reduce the speed back to LOW. (See **Figure 7**)

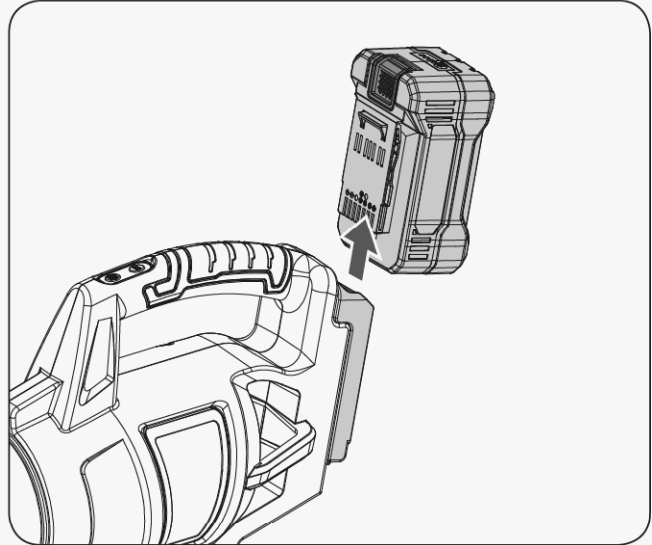
**CAUTION** Use both hands to grip the product firmly when switching on.



**Figure 7**

4. Sweep from side to side.
5. Press OFF button to stop the operation.
6. When finished, to prevent accidents, you need to:

Press the Battery Release Button and remove the battery pack. (See **Figure 8**)



**Figure 8**

Wipe external surfaces of the appliance with clean cloth. Store in an indoor dry area out of reach of children.

### CHARGING THE BATTERY

**WARNING** Read the **ENTIRE IMPORTANT SAFETY INFORMATION** section at the beginning of this manual including all text under subheadings therein before charging the battery.

**CAUTION** The battery pack is not fully charged when purchased. Before using the machine for the first time, place the battery pack in the charger and charge it until the LED display indicates the battery pack is fully charged.

1. Place the Battery Pack and Charger on a dry fireproof surface in a room where the temperature is from 43°F-122°F.

**CAUTION** If recharging a newly spent Battery Pack, allow it to cool completely before charging.

2. Examine the Battery Pack. It must be undamaged. Do not charge a cracked, open, or leaking Battery Pack, or charge a non-recommended type of Battery Pack.
3. The Full Boar Battery Pack's terminals are designed to fit the adapted

Full Boar Charger specifically. If the Battery Pack does not fit the Charger properly, do not try to insert it or force it. Look for the appropriate battery charger.

4. Plug the Charger directly into a grounded, 120VAC, 60Hz receptacle. The Indicator will flash green every 5 seconds when the charger is ready to charge a Battery Pack.
5. Slide the Battery Pack into the Charger. The Indicator will blink green while the Battery Pack is charging.

**CAUTION**

*If the Indicator shows the alternating red and green flashing instead, the Battery Pack is not charging properly. Make sure connections are clean and tight, and that Battery Pack and Charger are both at proper charging temperature. If the indicator still blinks red and green alternating, the Battery Pack may be worn out or internally damaged.*

*To check if any damage.*

1. Remove the Battery Pack from the Charger. Unplug the Charger to reset it.
2. After one minute, plug the Charger back into the receptacle. Then, slide the Battery Pack into the Charger.
3. If the indicator flashes red/green again, the Battery Pack is defective, remove it from the Charger. Do not leave a worn out or internally damaged Battery Pack in the Charger.

**NOTE**

*If the Indicator blinks only red the Battery Pack and/or Charger are at an incorrect charging temperature. Charging room temperature: 43°F-122°F. Make sure that both Charger and Battery Pack are at the correct charging temperature. Allow sufficient time for both of them to cool off or warm up as needed.*

6. While charging, the Battery Pack and Charger may become warm to the touch. This is normal and does not indicate a problem.
7. The Indicator will light up constant green when the Battery Pack is charged.
8. Allow the Battery Pack to cool completely before using it.
9. Unplug the Charger when not in use.

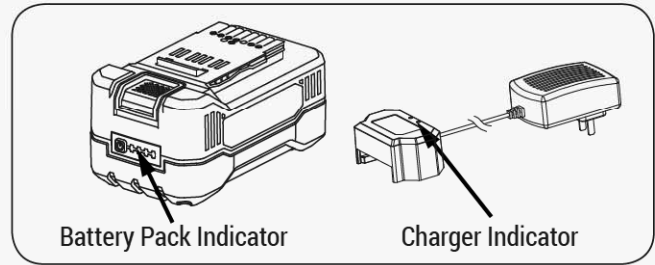


Figure 9

Charger Indicator

Light Indicator Definition	
Indicator Light	Definition
Solid Red	No battery pack is inserted
Green Blinking	Battery pack is charging
Green	Battery pack is charged
Red Blinking	Battery pack and/or battery charger is over or under the appropriate temperature range 43°F-122°F
Red-Green Blinking	Battery pack charging fault. See Troubleshooting page 17 for more information

Specification of Charger			
Charger Model#	LC4010	LC8022	LC8050
	Included in Model B4111T1, Not included in Model B4111T0	Sold separately	Sold separately
Input Rating	120VAC / 60Hz / 1A	120VAC / 60Hz / 2A MAX	120VAC / 60Hz / 2A MAX
Output Rating	42V / 1A	42V / 2.2A	42V / 5A
Compatible Battery Type	LB4020 (Included in Model B4111T1, Not included in Model B4111T0)	LB4020 (Included in Model B4111T1, Not included in Model B4111T0) LB8025+LB8040 (Sold separately)	
Operating Temperature	43°F-122°F		

**CAUTION**

*DO NOT use the standard 40V wall charger with 80V FULLBOAR battery. 80V batteries require adapted FULLBOAR charger. Select the correct model.*

## Battery Pack Indicator

Light Indicator Definition						
	Voltage range	LED 1	LED 2	LED 3	LED 4	
Discharge Indication	~3.60	ON	OFF	OFF	OFF	Press the switch or turn it on and it will light up. Release the switch for 3 seconds and it will turn off
	3.60~3.75	ON	ON	OFF	OFF	
	3.75~3.90	ON	ON	ON	OFF	
	3.90~	ON	ON	ON	ON	
Charge Indication	~3.60	Blink	Blink	Blink	Blink	Flashing frequency 1HZ, flowing light, Flashing mode (Green light)
	3.60~3.80	ON	Blink	Blink	Blink	
	3.80~4.00	ON	ON	Blink	Blink	
	4.00~Full	ON	ON	ON	Blink	
	Full	ON	ON	ON	ON	
Charging High and Low Temperature Alarm	LED1 flashing, frequency 1HZ					
Battery Pack Abnormal Damage Alarm	LED1, LED2, LED3, and LED4 flash 5 times simultaneously to turn off					
Sleep Function	The protective board should be left in a non-discharging and non-charging state for 3 minutes to enter sleep mode.					

## MAINTENANCE

### GENERAL MAINTENANCE

1. Always read safety rules when performing any maintenance.
2. Keep all the nuts, bolts and screws tight.
3. Remove the battery pack before any maintenance operation.
4. Check the blower for any signs of wear or damage to its components before each use.
5. For safety purposes, use only accessories recommended by manufacturer.
6. Ensure proper recycling or disposal of Li-Ion batteries. Do not short-circuit, incinerate, or open the battery.

**⚠ WARNING** *The warranty on this blower does not cover items that have been subjected to operator abuse or negligence. To receive full value from warranty, operator must maintain the blower as instructed here.*

### CLEANING THE BLOWER

Clean the dirt and debris out of all air vents. Keep handles clean and dry.

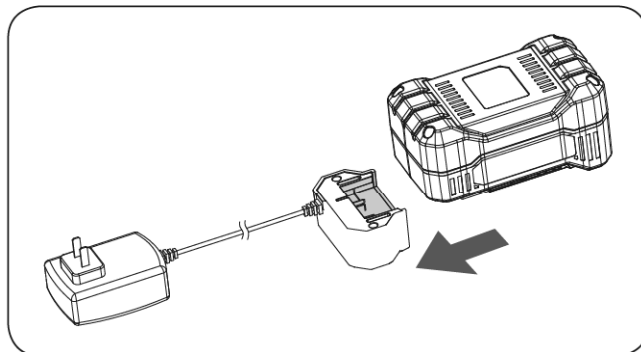
**⚠ WARNING** *Before performing any cleaning on the blower, turn the blower off and remove the battery pack.*

**⚠ WARNING** *To reduce the risk of electric shock, do not expose the blower to water.*

**⚠ WARNING** *Always wear eye protection with side shields marked to comply with ANSI Z87.1 to minimum the risk of eye injury.*

### BATTERY CHARGING

Insert the battery into the charging dock for charging.



**Figure 10**

**🏷 NOTE** *If you need fast charging, please purchase the single-port charger LC8022 or dual-port charger LC8050, which is sold separately.*



## TRANSPORT AND STORAGE

The following steps should be taken to prepare your blower for storage.

Keep all equipment safe during transportation to prevent damage and accidents.

**! WARNING** *Before transport, turn the blower off and remove the battery pack.*

**! WARNING** *During transportation, keep it away from other metal objects like: paper clips, coins, keys, nails, screws, or other small metal objects that can make a connection from one terminal to another. Shorting the Battery Pack terminals together may cause burns or a fire.*

For storage, keep equipment in a lockable area away from children and persons that are not approved. Do not store next to corrosive materials, such as fertilizer.

For storage, keep the product and equipment in a dry and frost-proof area.

Clean the product.

**📌 NOTE** *Clean the blower thoroughly as described in the Maintenance section.*

Keep all tubes, bolts and screws tight to be sure the product is in safe working condition.

Replace or repair damaged components.

Do not store next to corrosive materials, such as fertilizer. Use the correct protective cover on the product to keep it dry.

Only use spare parts and accessories approved by the manufacturer.

Before next use, inspect the general condition of the blower, check if there are loose hardware, missing parts, broken parts or any other condition that may affect safety.

Check the battery condition and recharge it after long storage.

Use the correct protective cover on the product to keep it dry. Do not use plastic to prevent condensation and protect the product from moisture corrosion and other damage compromising your product.

**! WARNING** *Never disassemble the tool, battery pack or charger. When servicing, use only identical replacement parts. Use of any other parts can create a hazard or cause product damage.*

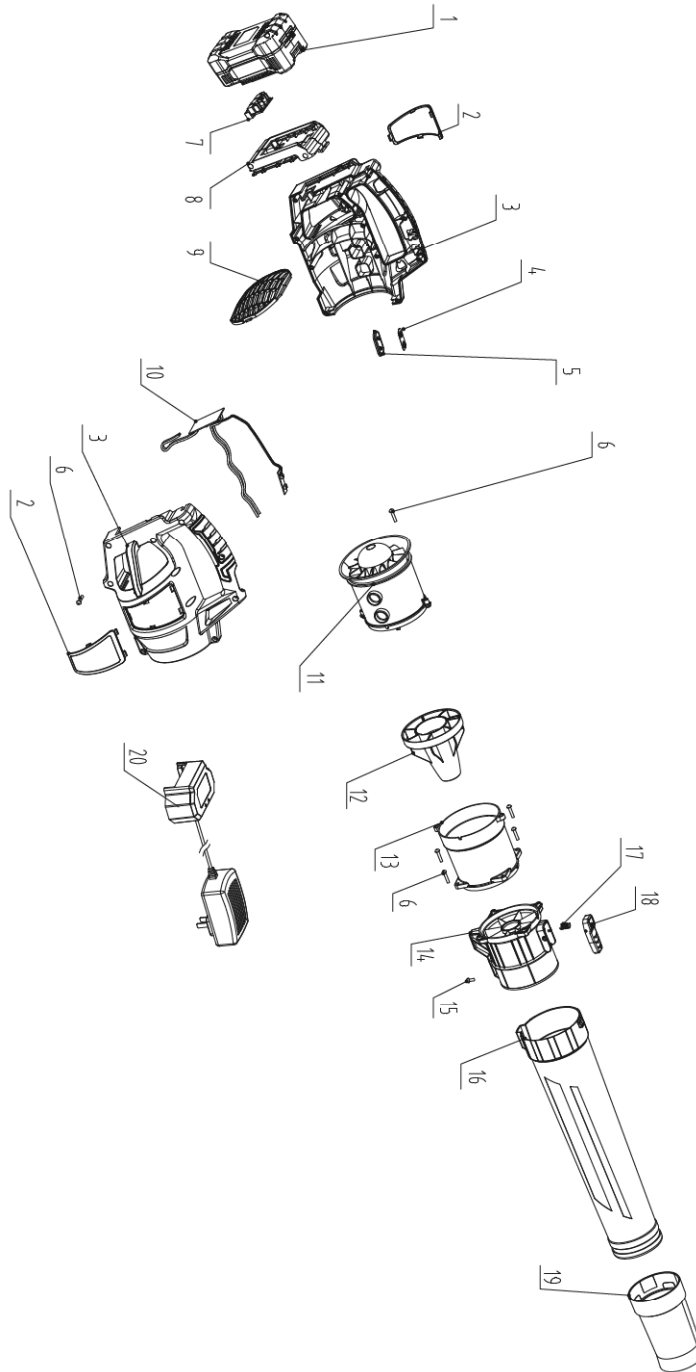
**! WARNING** *When battery pack is not in use, keep it away from other metal objects like: paper clips, coins, keys, nails, screws, or other small metal objects that can make a connection from one terminal to another. Shorting the Battery Pack terminals together may cause burns or a fire.*

## TROUBLESHOOTING

Problem	Cause	Remedy
<b>The machine does not start.</b>	<ol style="list-style-type: none"> <li>1. The battery is not correctly installed in the machine.</li> <li>2. The battery pack is not charged.</li> <li>3. The battery pack is damaged.</li> <li>4. There is another electrical problem with the machine.</li> <li>5. The switch is defective.</li> <li>6. The battery is not inserted all the way in the blower.</li> </ol>	<ol style="list-style-type: none"> <li>1. Remove and re-install the battery, making sure that it is fully inserted and latched.</li> <li>2. Remove the battery pack from the machine and charge it.</li> <li>3. Replace the battery pack.</li> <li>4. Contact an Authorized Service Dealer.</li> <li>5. Replace the switch.</li> <li>6. Insert the battery until it clicks.</li> </ol>
<b>The machine does not reach full power.</b>	<ol style="list-style-type: none"> <li>1. The battery pack charge capacity is too low.</li> <li>2. The air vents are blocked.</li> </ol>	<ol style="list-style-type: none"> <li>1. Remove the battery pack from the machine and fully charge it.</li> <li>2. Clean the air vents.</li> </ol>
<b>The battery pack loses charge quickly.</b>	The battery pack is over or under the appropriate temperature range.	Move the battery pack to a place where it is dry and the temperature is between 6°C (43°F) and 50°C (122°F).
<b>The battery charger is not working.</b>	<ol style="list-style-type: none"> <li>1. The battery charger is over or under the appropriate temperature range.</li> <li>2. The outlet that the battery charger is plugged into does not have power.</li> </ol>	<ol style="list-style-type: none"> <li>1. Unplug the battery charger and move it to a place where it is dry and the temperature is between 6°C (43°F) and 50°C (122°F).</li> <li>2. Contact your licensed electrician to repair the outlet.</li> </ol>
<b>The LED indicator light on the battery charger blinks red.</b>	The battery charger and/or battery pack is over or under the appropriate temperature range.	Unplug the battery charger and move the battery charger and battery pack to a place where it is dry and the temperature is between 6°C (43°F) and 50°C (122°F).
<b>The LED indicator light on the battery charger is blinking red and green alternately.</b>	<ol style="list-style-type: none"> <li>1. There is an error in the communication between the battery pack and the charger.</li> <li>2. The battery pack is weak.</li> </ol>	<ol style="list-style-type: none"> <li>1. Remove the battery pack from the battery charger, unplug the battery charger from the outlet, and wait 10 seconds. Plug the battery charger into the outlet again and place the battery pack on the battery charger. If the LED indicator light on the battery charger is still blinking red/green alternately, repeat this procedure again. If the LED indicator light on the battery charger is still blinking red/green alternately after 2 attempts, properly dispose of the battery pack at a battery recycling facility.</li> <li>2. Properly dispose of the battery pack at a battery recycling facility.</li> </ol>

Problem	Cause	Remedy
<b>It is difficult to remove the battery pack from the tool.</b>	The battery pack/tool is new or there is corrosion in the battery terminals and/or the terminals on the tool.	Clean the terminals on the battery and the tool. Then apply dielectric grease to the battery terminals; do not use any other type of lubricant as it can damage the terminals.
<b>The machine does not run continuously.</b>	<ol style="list-style-type: none"> <li>1. There is moisture on the leads of the battery pack.</li> <li>2. The battery is not fully installed into the tool.</li> </ol>	<ol style="list-style-type: none"> <li>1. Allow the battery pack to dry or wipe it dry.</li> <li>2. Remove and then replace the battery into the tool making sure that it is fully installed and latched.</li> </ol>
<b>No air flows through the tube upon machine startup.</b>	There is a blockage in the air inlet or tube outlet.	Clear the blockage.

# PARTS DIAGRAM



## NOTE

There are no Part#20 Charger and Part#1 Battery (1pc) in Model No. B4111T0.

**PARTS LIST**

No.	Description	Qty
1	Battery	1
2	Side cover	1
3	Housing	1
4	ON/OFF Label	1
5	Switch Panel	1
6	Tapping Screw ST4*16	21
7	Male Terminal Assembly	1
8	Battery connector	1
9	vent	1
10	PCBA(Blower)	1

No.	Description	Qty
11	motor assembly	1
12	Guide Cone	1
13	Guide Cone Cover	1
14	Short Blow Pipe	1
15	Tapping Screw ST4*12	1
16	Tube	1
17	Button Spring	1
18	Button	1
19	Concentrator nozzle	1
20	Charger	1

**NOTE**

*There are no Part#20 Charger and Part#1 Battery (1pc) in Model No. B4111T0.*







***GO FULL BOAR™***