

# 16 In. Brushless String Trimmer

## Operator's Manual



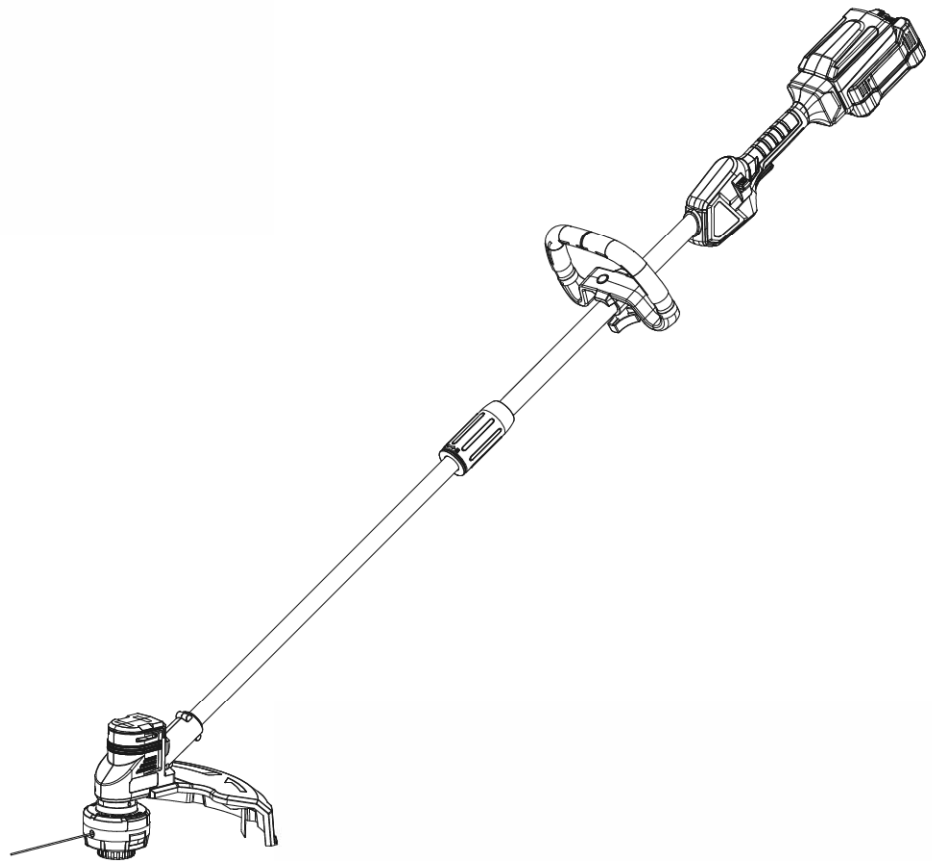
### MODEL NUMBER

**T4016S**

### SERIAL NUMBER

### PURCHASE DATE

Both model number and serial number may be found on the main label. You should record both of them in a safe place for future use.



---

## FOR YOUR SAFETY

*READ AND UNDERSTAND THE ENTIRE MANUAL BEFORE OPERATING MACHINE*

---

Your new FULL BOAR® battery string trimmer offers professional quality construction, and is easy and safe to operate. With proper use and care, it is designed to give you many years of dependable service.

Introducing our FULL BOAR® Battery-Powered String Trimmer - the epitome of efficiency and environmental friendliness! With zero emissions and the intelligent brushless motor, let you experience the freedom of corless convenience as you effortlessly navigate through your yard.

**Discover the FULL BOAR Advantage**

At FULL BOAR, we understand that land ownership definitely has its privileges, but it also comes with a great deal of responsibility. When duty calls and you need to respond, will you have what it takes to tame the great outdoors?

When looking for outdoor power equipment (OPE) to get the job done right, at the right price, FULL BOAR delivers the perfect combination of performance and practicality. FULL BOAR has a solution that's right for you.

**MAX Performance, MAX Value, MAX Support**

- ✓ Backed by decades of proven manufacturing expertise
- ✓ Enhanced design features come standard
- ✓ Engineered for the best user experience
- ✓ Quality metal parts are used instead of plastic
- ✓ A robust warranty supports all products
- ✓ Budget-friendly prices make it practical



*Up for the job? FULL BOAR is.*

---

## TABLE OF CONTENTS

---

Introduction	1
Specifications	4
Symbols	5
Safety	6
Contents Supplied	10
Assembly	11

Know Your Machine	13
Operation	14
Maintenance	17
Transport & Storage	20
Troubleshooting	21
Parts Diagram	23



**WARNING** Carefully read through this entire operator's manual before using your new unit. Pay attention to all cautions and warnings.

This Cordless String Trimmer is intended to be used by residential homeowners. Easy to start, easy to handle, making yard maintenance more convenient.



**WARNING CALIFORNIA PROPOSITION 65**  
**WARNING**  
 Cancer and Reproductive Harm. [www.P65Warnings.ca.gov](http://www.P65Warnings.ca.gov).

### ENVIRONMENTAL

Waste electrical products should not be disposed of with household waste. Please recycle where facilities exist. Check with your local authority or retailer for recycling advice. The battery contains material which is hazardous to you and the environment. It must be removed and disposed of separately at a facility that accepts lithium-ion batteries.

### MODEL AND SERIAL NUMBERS

Record the model and serial number as well as date and place of purchase for future reference. Have this information available when ordering parts or optional accessories and when making technical or warranty inquiries.

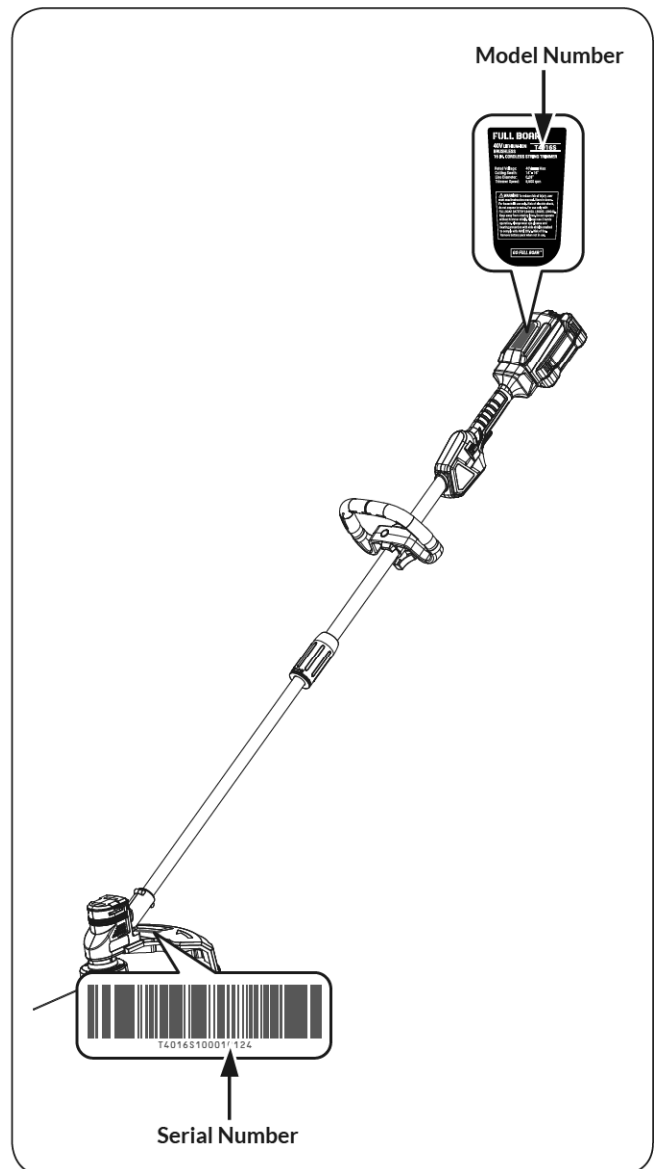
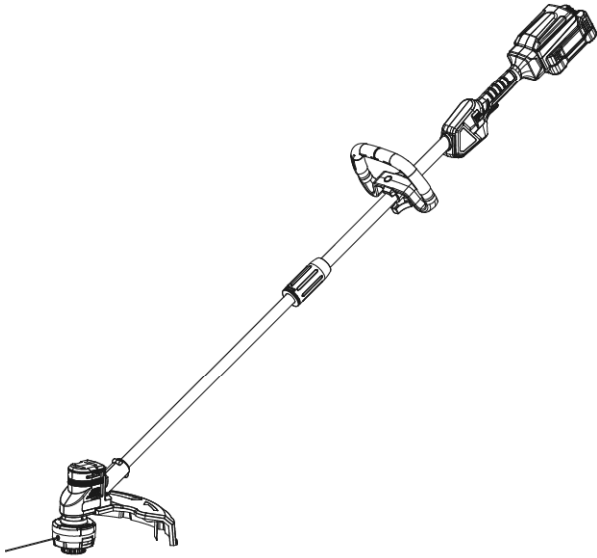


Figure 1

### DISCLAIMER

Manufacturer reserves the right to discontinue, change, and improve its products at any time without notice or obligation to the purchaser. The descriptions and specifications contained in this manual were in effect at printing. Equipment described within this manual may be optional. Some illustrations may not be applicable to your unit.



## SUPPORT

Have questions about your FULLBOAR equipment?  
Call us at (888) 533-2999, email us at [Support@gofullboar.com](mailto:Support@gofullboar.com), or contact us via your favorite social media site.

## SPECIFICATIONS

Model #	T4016S1	T4016S0
Voltage	40 V	
Battery Included	Battery Model No. LB4020	NO
Battery Amp Hours	2.0 A	
Number of Batteries Included	1	0
Charger Included	Charger Model No. LC4010	NO
Cutting Swath	14"-15"-16"	
Trimmer Speed	5,500 rpm	
Replacement Nylon line Diameter	0.08"	
Weight (lbs)	7.6 lbs	5.8 lbs



### **NOTE**

*The machine specification varies with different models. Some illustration may not be applicable to your unit. Everything is subject to the actual item.*

## SYMBOLS

The rating plate on your machine may show symbols. These represent important information about the product or instructions on its use.



DANGER  
WARNING  
CAUTION



Read these instructions carefully.



Wear approved hearing protection.



Wear eye protection with side shields marked to comply with ANSI Z87.1.



WARNING marking concerning Risk of Fire. Do not cover Charger ventilation ducts. Charge on fireproof surface only.



WARNING marking concerning Risk of Electric Shock. Properly connect Charger's power cord to appropriate outlet.



Caution: Lithium battery-powered Trimmer. Do not expose to rain. Keep battery and electrical components dry to prevent damage. Failure to use in dry conditions and to observe safe practices can result in electric shock.



Rotating parts can cause serious injury. Keep your hands away from rotating parts.



Risk of fire and burns. Do not expose battery, battery compartment, or electronic components to rain, water, or liquids. Do not operate on wet ground.



Rotating parts can cause serious injury. Keep your feet away from the rotating parts.



Do not remove or tamper with the protection and safety devices.



Be careful with the direction of the rotating line.



Caution! Beware of the thrown objects. Thrown objects can ricochet and result in personal injury or property damage.



Do not operate the trimmer above waist height., it can easily cause injury to yourself and others.



Do not operate when children or others are around.

## SAFETY

The definitions below give the level of severity for each signal word.



### **DANGER**

*This symbol points out important safety instructions. This machine was built to be operated according to the safe operation practices in this manual. As with any type of power equipment, carelessness or error on the part of the operator can result in serious injury. This machine is capable of amputating fingers, hands, toes and feet and throwing foreign objects. Failure to observe the safety instructions could result in serious injury or death.*



### **WARNING**

*This symbol points out safety instructions. Read and follow all instructions before attempting to operate this machine. Failure to comply with these instructions may result in personal injury.*



### **CAUTION**

*This symbol indicates a hazard, which, if not avoided, may result in minor or moderate injury.*



### **NOTE**

*This information makes the product easier to use.*

## GENERAL SAFETY RULES

### UNDERSTAND YOUR MACHINE

1. Read this manual and labels affixed to the machine to understand its limitations and potential hazards before attempting to assemble this machine. Read, understand, and follow all instructions on the machine and in the manuals before operation.
2. Basic safety precautions should always be followed when using electric string trimmer, in order to reduce the risk of fire, electric shock, and personal injury.
3. Be thoroughly familiar with the controls and their proper operation. Know how to stop the machine and disengage the controls quickly.
4. Keep the manual in a safe place for future and regular reference.
5. If the unit is to be used by someone other than original purchaser or loaned, rented, or sold, always provide this manual and any needed safety training before operation. The user can prevent and is responsible for accidents or injuries that may occur to themselves, other people, and property.
6. This machine is a precision piece of power equipment, not a plaything. Therefore, exercise extreme caution at all times. This machine has been designed to perform one job: to trim grass, weeds, and other vegetation. Do not use it for any other purpose.
7. Do not force the machine. Use the correct machine for your application. The correct machine will do the job more efficiently and safely at the rate it was designed.

### PERSONAL SAFETY

1. Do not permit children to operate this machine at any time. Only responsible individuals who are familiar with safety rules of operation should be allowed to use this machine.
2. To help avoid Nylon trimmer line contact or a thrown object injury, stay in operator zone and keep children, pets, and other people not using the unit away from the work area. Be alert and shut off unit if anyone enters work area. Keep children under the watchful care of a responsible adult.
3. Thoroughly inspect the area where the equipment is to be used. Remove all stones, sticks, wire, bones, toys and other foreign objects, which could be tripped over or picked up and thrown by the Nylon trimmer line. Thrown objects can cause serious personal injury.
4. Plan your trimming pattern to avoid discharge of material toward roads, sidewalks, bystanders and the like. Also, avoid discharging material against a wall or obstruction, which may cause discharged material to ricochet back toward the operator; this may cause personal injury.
5. Do not operate the machine while under the influence of drugs, alcohol, or any medication that could affect your ability to use it properly.
6. Wear sturdy, rough-soled work shoes and close-fitting slacks and shirts. Shirts and pants that cover the arms and legs and steel-toed shoes are recommended. Never operate this machine in bare feet, sandals, slippery or lightweight (e.g. canvas) shoes.
7. Protect eyes, face, and head from objects that may be thrown from the unit. Always wear safety goggles or safety glasses with side shields

when operating and while performing an adjustment or repair.

8. Always use approved ear protection while you operate the product. Noise for a long period can cause noise-induced hearing loss.
9. Always keep hands and feet away from all rotating parts under the trimmer guard. Contact with rotating parts or under the trimmer guard can amputate fingers, hands, toes and feet.
10. A missing or damaged guard can cause Nylon trimmer line contact or thrown object injuries. Do not use a damaged product. Obey the maintenance schedule. Only do the maintenance mentioned in this manual.

#### **BATTERY SAFETY**

1. Use only approved replacement batteries, other batteries may cause injury or damage to the trimmer.
2. Do not crush, drop, or damage battery pack. Do not use a battery pack or charger that has been dropped or received a sharp blow. A damaged battery is subject to explosion. Properly dispose of a dropped or damaged battery immediately.
3. Batteries can explode in the presence of a source of ignition, such as a pilot light.
4. For best results, your battery should be charged in a location where the temperature is more than 43°F but less than 122°F. To reduce the risk of serious personal injury, do not store outside or in vehicles.
5. Under extreme usage or temperature conditions, battery leakage may occur. Avoid contact with skin. If in contact with skin, rinse immediately with running clean water for at least 10 minutes to reduce risk of serious personal injury. Seek immediate medical attention.
6. When battery pack is not in use, keep it away from other metal objects like: paper clips, coins, keys, nails, screws, or other small metal objects that can make a connection from one terminal to another. Shorting the Battery Pack terminals together may cause burns or a fire.
7. Always remove battery from your tool when you are assembling parts, making adjustments, cleaning, or when not in use. Removing the battery pack will prevent accidental starting that could cause serious personal injury.
8. Always remove battery before storing the device. When battery becomes fully charged, unplug the charger from the power supply and remove the battery pack from the charger
9. Keep battery pack dry, clean, and free from oil and grease. Always use a clean cloth when cleaning.
10. When transporting or serving unit, always remove the battery.
11. Under abusive conditions, liquid may be ejected from the Battery Pack; avoid contact. If contact accidentally occurs, flush with water. If liquid contacts eyes, additionally seek medical help. Liquid ejected

from the battery pack may cause irritation or burns.

#### **CHARGE SAFETY**

1. Do not expose a battery pack or power tool to fire or excessive temperature. Exposure to fire or temperature above 212°F may cause explosion. The battery Charger gets hot during use. The Charger's heat can build up to unsafe levels and create a fire hazard if it does not receive adequate ventilation. Do not place the Charger on a flammable surface. Do not obstruct any vents on the Charger. Especially avoid placing the charger on carpets and rugs; they are not only flammable, but they also obstruct vents under the charger. Place the Charger on a stable, solid, nonflammable surface (such as a stable metal workbench or concrete floor) at least 1 foot away from all flammable objects, such as drapes or walls. Keep a fire extinguisher and a smoke detector in the area. Frequently monitor the Charger and Battery Pack while charging.
2. Charge the trimmer battery in a dry area that is protected from the weather. Do not expose the charger to rain. Do not charge the battery in a wet location. Operate the battery charger in temperatures between 43°F and 122°F. In order to reduce the risk of electric shock, use only the charger that is provided by the manufacturer to charge the battery.
3. Follow all charging instructions and do not charge the battery pack or power tool outside of the temperature range specified in the instructions. Charging improperly or at temperatures outside of the specified range may damage the battery and increase the risk of fire.
4. Have servicing performed by a qualified repair person using only identical replacement parts. This will ensure that the safety of the product is maintained.
5. Do not abuse the charger cord. Never carry the charger by the cord. Do not disconnect the charger from the outlet by pulling the charger cord.
6. Do not use a damaged charger. Replace the charger cords or the charger immediately.
7. Keep the trimmer and the charger away from water, heat sources (radiators, heaters, stoves, etc.).
8. Make sure the battery is secured in the charger.
9. The battery will become slightly warm to the touch while charging. This is normal and does not Indicate a problem.
10. Do not place the charger and battery pack in an area of extreme heat or cold. They will work best at normal room temperature.
11. When batteries become fully charged, unplug the charger from the power supply and remove the battery.
12. Charge indoors only.
13. Charger plugs must match the outlet. Never modify the plug in any way. Unmodified plugs and matching outlets will reduce risk of electric shock.



14. Store idle chargers out of the reach of children and do not allow persons unfamiliar with the charger or these instructions to operate the Charger.
15. Maintain chargers. Check for breakage of parts and any other condition that may affect the Charger's operation. If damaged, have the Charger repaired before use.
16. Inspect before every use; do not use if parts are loose or damaged.
17. Use as intended only.
18. Maintain labels on the Charger. These carry important safety information. If unreadable or missing, contact our service for a replacement.
19. This product is not a toy. Keep it out of reach of children.
20. People with pacemakers should consult their physician(s) before use.

Electromagnetic fields in close proximity to heart pacemaker could cause pacemaker interference or pacemaker failure. In addition, it could cause electrical shock if the machine is not inspected and maintain properly.

#### PRODUCT LIABILITY

As referred to in the product liability laws, we are not liable for damages that our product causes if:

- the product is incorrectly repaired.
- the product is repaired with parts that are not from the manufacturer or not approved by the manufacturer.
- the product has an accessory that is not from the manufacturer or not approved by the manufacturer.
- the product is not repaired at an approved service center or by an approved authority.

### SPECIFIC SAFETY RULES

#### OPERATION SAFETY

1. This machine has been designed to perform one job: to trim grass, weeds, and other vegetation. Do not use it for any other purpose.
2. Operate the product only in daylight or in good artificial light. Walk, never run.
3. Keep the work area clean. Stop the product when crossing gravel drives, walks or roads.
4. Stay in operator zone and keep children, pets, and other people not using the unit away from the work area.
5. Stay alert, watch what you are doing, and use common sense when operating the machine.
6. Do not overreach. Do not operate the machine while barefoot or when wearing sandals or similar lightweight footwear. Wear protective footwear that will protect your feet and improve your footing on slippery surfaces. Keep proper footing and balance at all times. This enables better control of the machine in unexpected situations.
7. Tie back long hair above shoulder height to avoid it getting caught in moving parts.
8. Be sure switch is off when battery is plugged in.
9. Keep guards in place and in working order. A missing or damaged guard can cause Nylon trimmer line contact or thrown object injuries.
10. Do not touch parts that are hot from operation. Allow parts to cool before attempting to maintain, adjust, or service. Serious burns may result.
11. Never operate trimmer without proper trimmer guard and other safety

protective devices in place and working. Failure to do so can result in personal injury.

12. Use only flexible, non-metallic Nylon trimmer line recommended by the manufacturer. Never use wire, wire rope, or flail blades as they have the potential to break off and become hazardous projectiles.
13. Maintain a firm grip on both handles while trimming. Hold the trimmer by the insulated gripping surfaces only.
14. Carry the machine with the power off and keep it away from your body. Proper handling of the machine will minimize the risk of accidental contact with the rotating line.
15. Avoid using the product in environments where explosive atmospheres are present, such as areas with flammable liquids, gases, or dust particles. Power products generates sparks that could potentially ignite any surrounding dust or fumes, so refrain from operating them in such environments.
16. Do not expose trimmer to rain or wet conditions. Water entering the product will increase the risk of electric shock.
17. To prevent accidental activation, always confirm that the switch is in the off position before connecting the product to a power source or battery, and when handling or transporting it. Carrying products with your finger on the switch, or turning on products with the switch already activated, increases the risk of accidents.
18. Remove any adjusting key or wrench before turning the product on. A wrench or a key left attached to a rotating part of the product may result in personal injury.
19. Do not use the product if the switch does not turn it on and off. Product that cannot be controlled with the switch is dangerous.

20. The trimmer head will continue to rotate for a few seconds after use. Allow it to stop completely and remove Battery Pack before putting the appliance down, making any adjustments, or servicing the appliance.
21. This manual cannot include all situations that can occur when you use the product. Be careful and use your common sense. Do not operate the product or do maintenance to the product if you are not sure about the situation. Contact Customer Support for assistance.

#### **WORK AREA SAFETY**

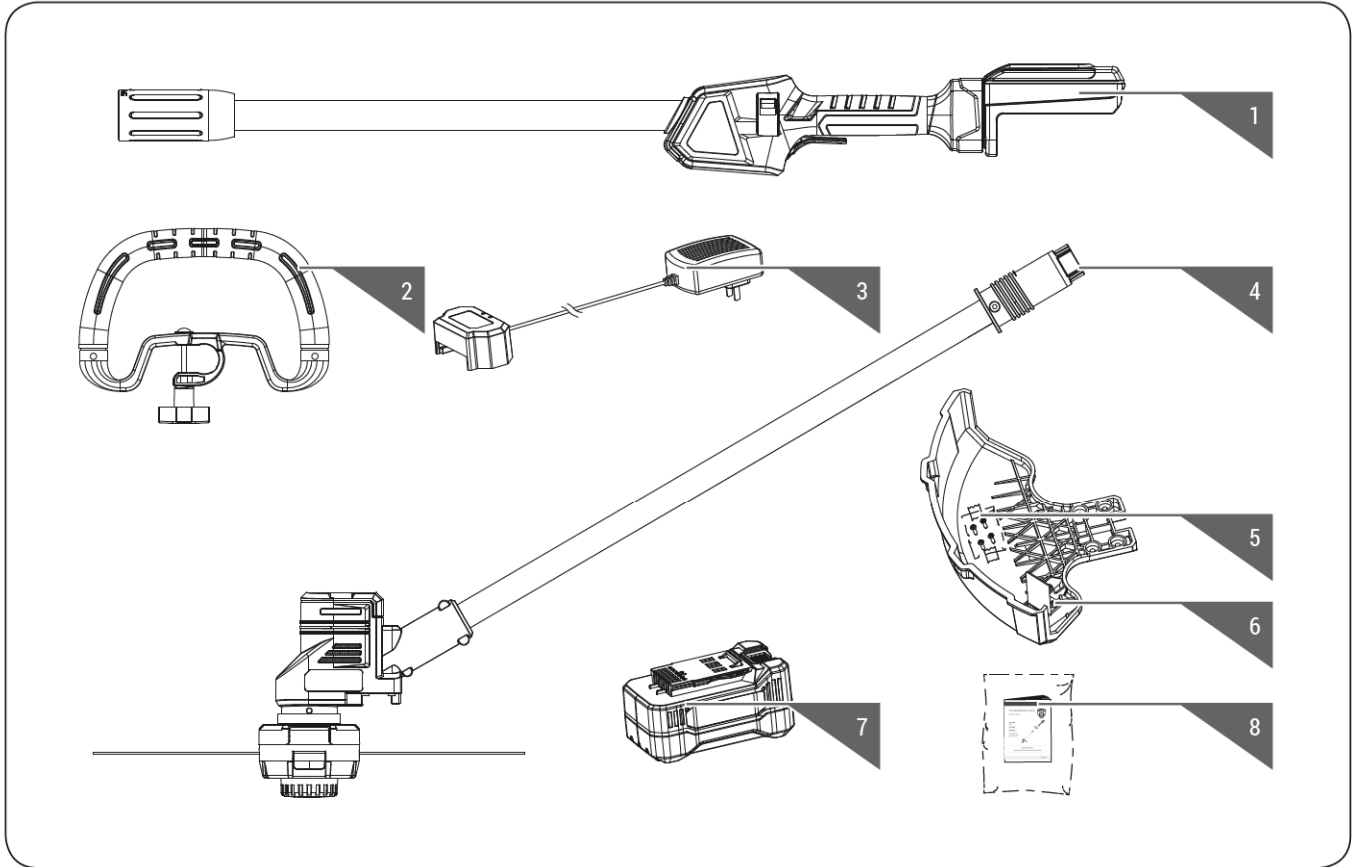
1. Remove branches, twigs, stones and other objects from the workarea before you use the trimmer.
2. Keep persons, including children, and animals at a safe distance from the work area.
3. Do not use the product in bad weather, including fog, rain, moist or wet locations, strong winds, intense cold and risk of lightning. Doing work in bad weather can cause fatigue and dangerous conditions.
4. Examine your work area to make sure that your control of the product cannot be prevented.
5. Be careful of roots, stones, twigs, pits and ditches.
6. Operate the product only in daylight or in good artificial light.
7. Be careful when you go near hidden corners and objects that can prevent your view.
8. Maintain a high level of caution when you reverse or pull the product in your direction.

#### **MAINTENANCE SAFETY**

1. Turn off all controls before removing battery.
2. Disconnect the battery pack from the trimmer before making any adjustments, changing accessories, servicing, moving or storing the unit.
3. Maintain the trimmer and its handle in a dry, clean condition, free from oil and grease. Avoid using brake fluids, gasoline, petroleum-based products, or strong solvents for cleaning.
4. Trimmer maintenance should only be carried out by trained and qualified repair personnel. And ensure that during trimmer maintenance, use only identical replacement parts.
5. Do not dispose of a severely damaged or worn out battery pack or this trimmer by incinerating. The battery can explode in fire.
6. If the maintenance is not done correctly and regularly, the risk of injury and damage to the product increases.

## CONTENTS SUPPLIED

Your Full Boar brushless string trimmer comes partially assembled and contains the following:



### NOTE

*Before beginning assembly of product, make sure all parts are present. Compare parts with below package contents list. If any part is missing or damaged, do not attempt to assemble the product.*

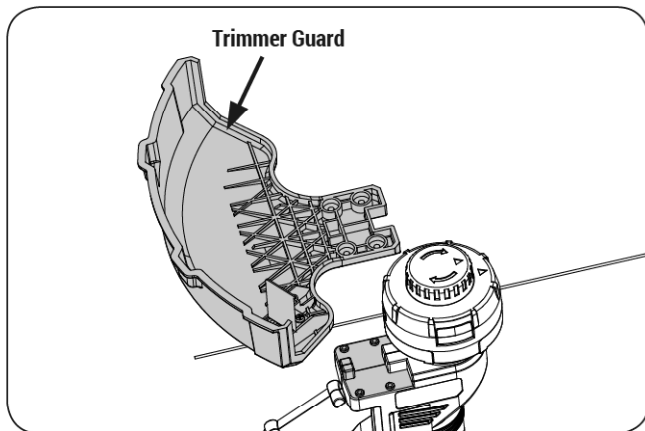
- |   |   |
|---|---|
| 1. Main Handle with upper shaft                                       | 5. Screw (4pcs)   |
| 2. Auxiliary Handle   | 6. Trimmer Guard  |
| 3. Charger (Included in Model T4016S1, Not included in Model T4016S0) | 7. Battery (Included in Model T4016S1, Not included in Model T4016S0) |
| 4. Trimmer head with lower shaft                                      | 8. Operator's Manual  |

## ASSEMBLY

This string trimmer was partially assembled at the factory. To assemble your machine follow the below instructions.

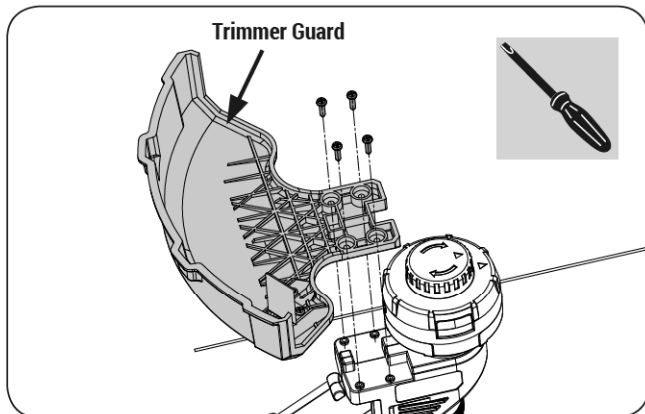
### INSTALL THE TRIMMER GUARD

1. Align the trimmer guard with the trimmer head. (See **Figure 2**)



**Figure 2**

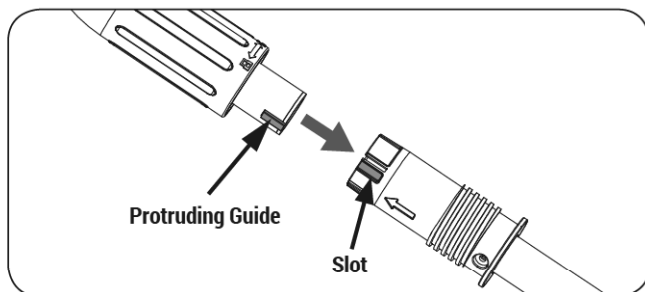
2. Match up the 4 holes on the trimmer guard and trimmer head, insert the four screws through the holes and secure tightly. (See **Figure 3**)



**Figure 3**

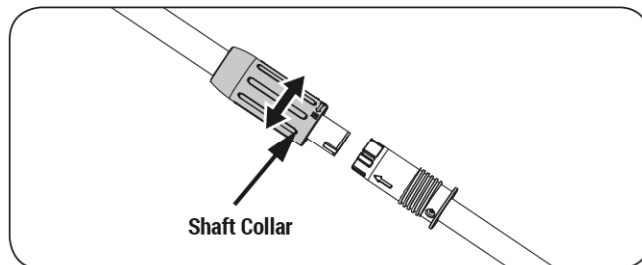
### CONNECT THE MAIN HANDLE AND THE TRIMMER HEAD

1. Align the protruding guide on the upper shaft with the slot on the lower shaft and snap them together. (See **Figure 4**)



**Figure 4**

2. Rotate the shaft collar to the "lock" position indicated to tighten and lock it. (See **Figure 5**)

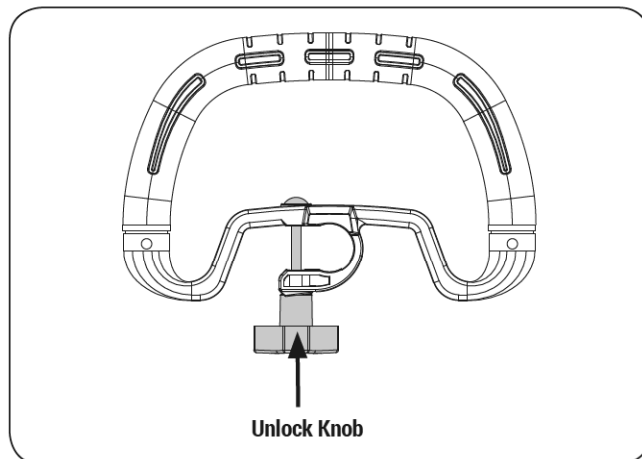


**Figure 5**

### INSTALL THE AUXILIARY HANDLE

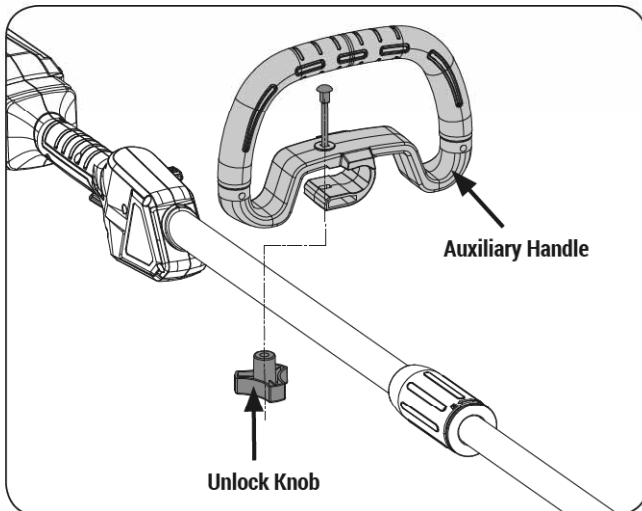
1. Remove the long bolt and unlock knob from the Auxiliary handle. (See **Figure 6**)

**CAUTION** Place the removed long bolt and unlock knob in a secure location to prevent loss.



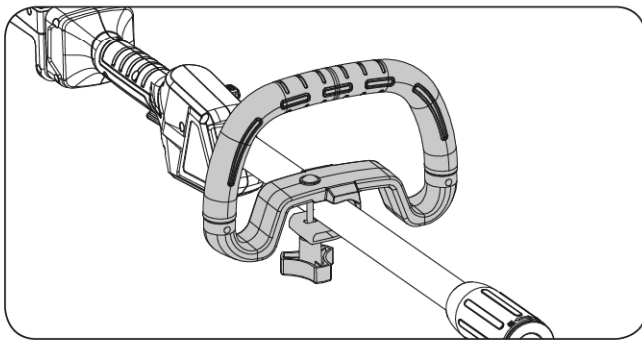
**Figure 6**

2. Attach the Auxiliary handle to the upper shaft, then install the long bolt and unlock knob. (See **Figure 7**)



**Figure 7**

3. Adjust Auxiliary Handle to desired position and tighten the unlock knob to secure. (See **Figure 8**)

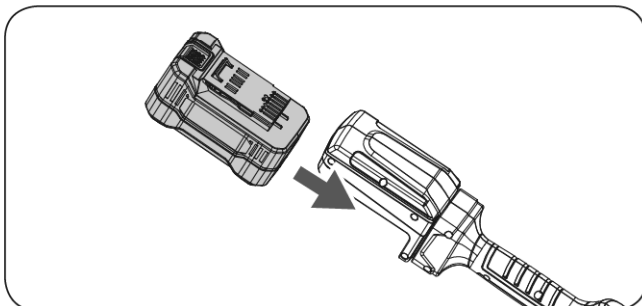


**Figure 8**

### INSTALL THE BATTERY PACK

1. When you hear a click, the battery is installed. (See **Figure 9**)

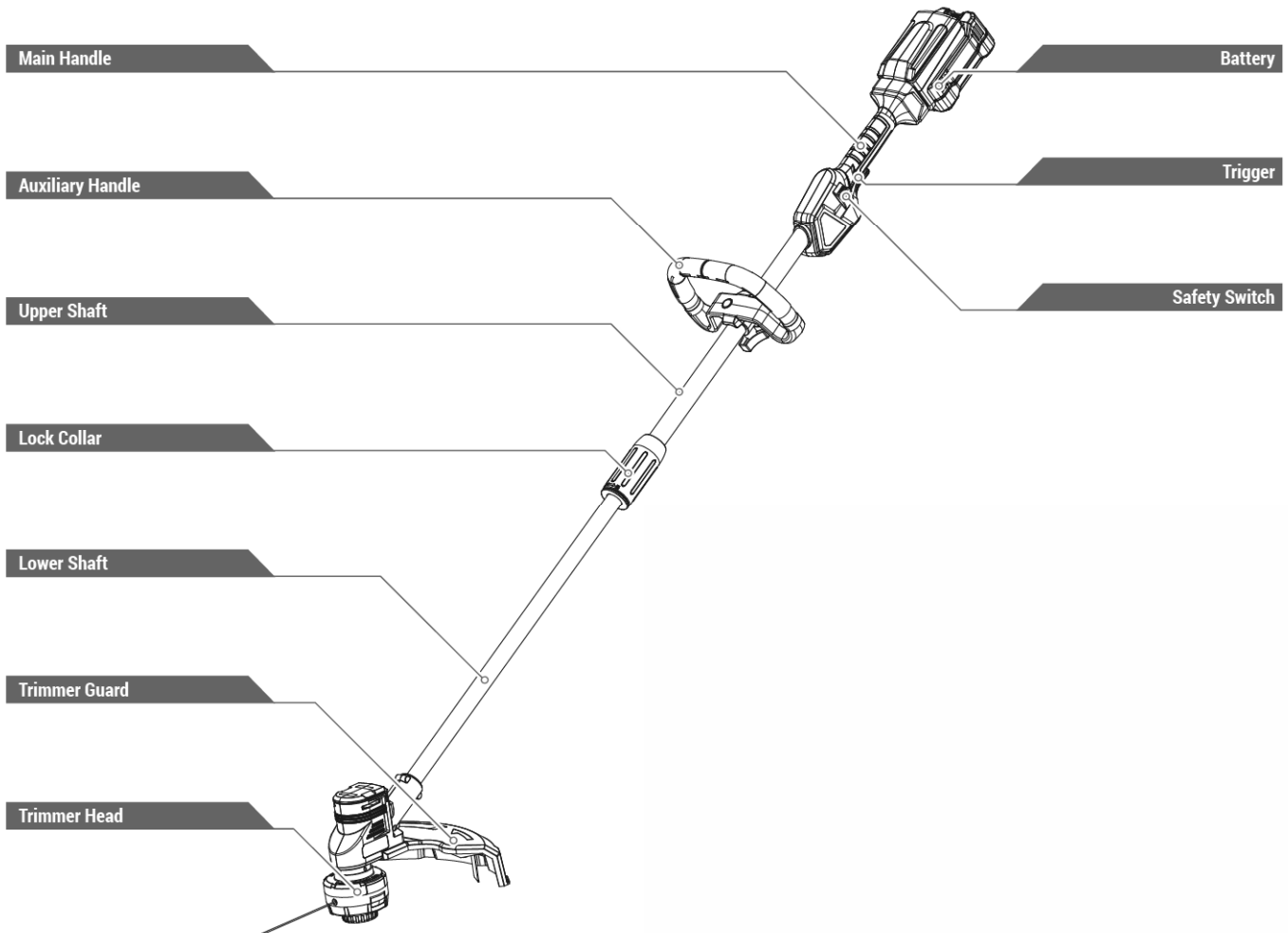
**CAUTION** Avoid applying excessive force while inserting the battery. If the battery pack doesn't slide in smoothly, it's likely not being inserted correctly, which could potentially damage both the battery pack and the line trimmer.



**Figure 9**

# KNOW YOUR MACHINE

## FEATURES AND CONTROLS



### Battery

- » Provide the necessary electrical energy to the product.

### Main Handle

- » Provide a comfortable and secure grip for user, facilitating control and maneuverability during operation.

### Trigger

- » Press and hold this trigger switch to turn on the string trimmer. Release to turn off.

### Safety Switch

- » Safety switch can prevent the trimmer from being turned on unintentionally. Before press the trigger to turn on the trimmer, press the safety switch first.

### Auxiliary Handle

- » Offer the user an alternative grip position for better balance and stability.

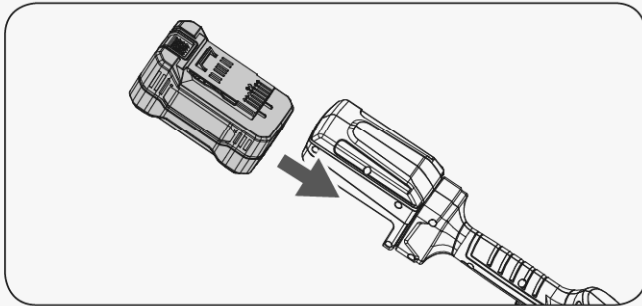
### Trimmer Guard

- » Before using the string trimmer, it is essential to ensure that the trimmer guard is properly installed. It can provide protection to the user from flying debris such as rocks, twigs, and clippings that are kicked up during trimming.

## OPERATION

### INSTALL THE BATTERY PACK

1. Check battery's charge level to ensure it has sufficient power.
2. Insert the battery pack into the slot on the back of the string trimmer until it locks securely. (See **Figure 10**)



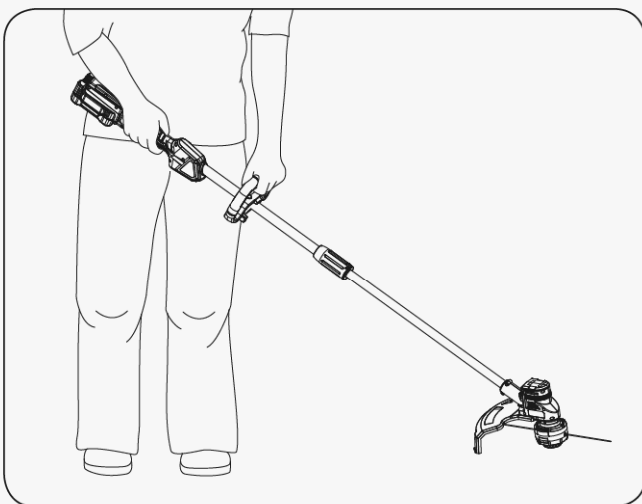
**Figure 10**

**CAUTION** Avoid applying excessive force while inserting the battery.

**CAUTION** To prevent accidental activation, always confirm the switch is in the off position before connecting the product to a power source or battery, and when handling or transporting it.

### HOLD THE TRIMMER IN PROPER POSITION

1. Adjust the Auxiliary handle to a suitable position and angle for comfortable operation.
2. Holding Trimmer with both hands. Keep guards in place and in working order. (See **Figure 11**)



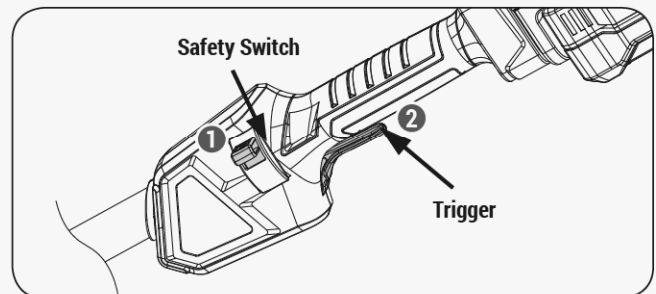
**Figure 11**

**CAUTION** Wear sturdy, rough-soled work shoes and close-fitting slacks and shirts.

**CAUTION** Do not operate the trimmer above waist height, it can easily cause injury to yourself and others.

### TURNING ON AND OFF

1. Press the safety switch first, then press and hold the trigger to start the trimmer. (See **Figure 12**)



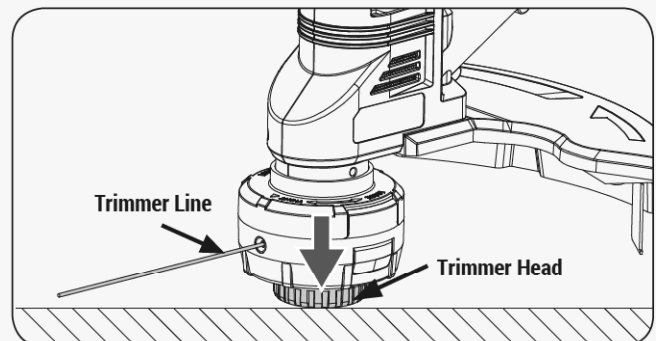
**Figure 12**

2. Release the trigger to turn the trimmer off.

### BUMP FEED

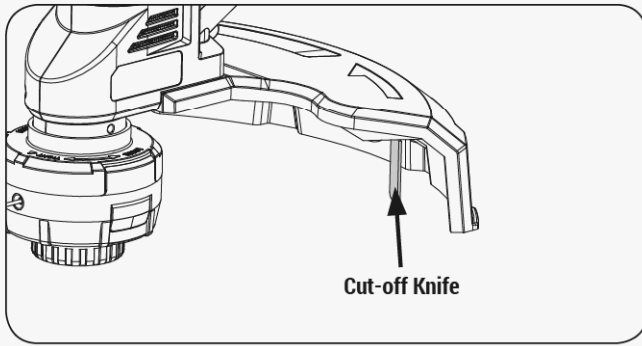
This trimmer is equipped with a bump feed mechanism, which allows the trimmer line to be fed out continuously without the need to stop the machine.

1. While the trimmer is running, simply tap the trimmer head on the ground to feed out the trimmer line. (See **Figure 13**)



**Figure 13**

2. The bump feed mechanism will automatically lock once the cutting head is lifted off the ground, stopping the trimmer line from feeding further.
3. The Cut-off knife will automatically cut off the excess line by the blade located in the trimmer guard. (See **Figure 14**)

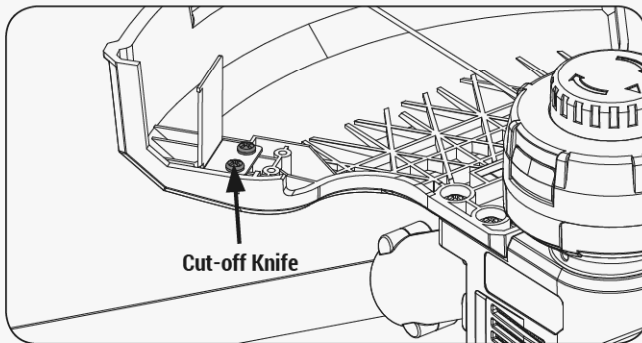


**Figure 14**

### ADJUST THE CUTTING DIAMETER

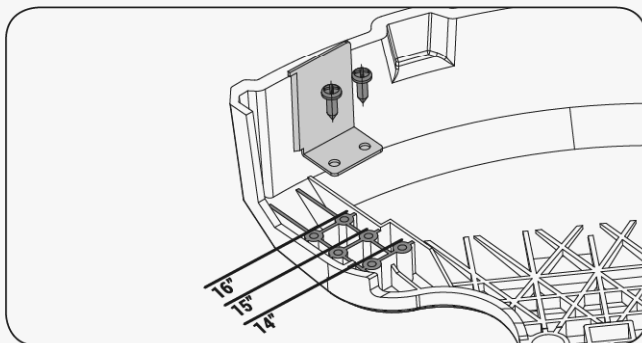
This trimmer offers three cutting sizes: 14", 15" and 16", providing more options for trimming.

1. Before adjusting the cutting diameter, remove the battery pack.
2. Remove screws from cut-off knife under trimmer guard. (See **Figure 15**)



**Figure 15**

3. Move the cut-off knife to different positions to adjust the length of the trimmer line. (See **Figure 16**)

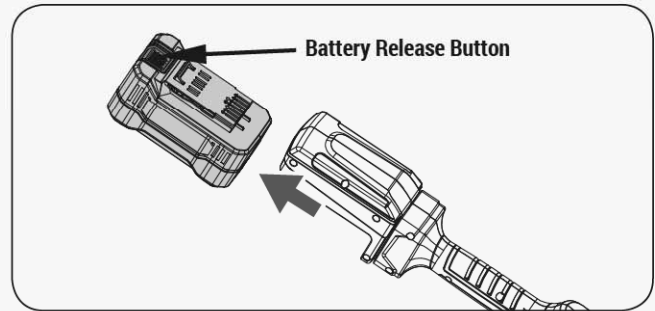


**Figure 16**

4. Tighten the screws to secure the cut-off knife onto the guard.

### REMOVE THE BATTERY PACK

1. Make sure the trimmer is in the off position before proceeding.
2. Press the battery release button to remove the battery pack. (See **Figure 17**)



**Figure 17**

3. Check the remaining battery level, if it's low, recharge it promptly.

### CLEAN THE PRODUCT

Wipe external surfaces of the appliance with clean cloth. Store in an indoor dry area out of reach of children.

### CHARGING THE BATTERY

**⚠ WARNING** Read the **ENTIRE IMPORTANT SAFETY INFORMATION** section at the beginning of this manual including all text under subheadings therein before set up charging the battery.

**⚠ CAUTION** The battery pack is not fully charged when purchased. Before using the machine for the first time, place the battery pack in the charger and charge it until the LED display indicates the battery pack is fully charged.

1. Place the Battery Pack and Charger on a dry fireproof surface in a room where the temperature is from 43°F-122°F.

**⚠ CAUTION** If recharging a newly spent Battery Pack, allow it to cool completely before charging.

2. Examine the Battery Pack. It must be undamaged. Do not charge a cracked, open, or leaking Battery Pack, or charge a non-recommended type of Battery Pack.
3. The Full Boar Battery Pack's terminals are designed to fit the adapted Full Boar Charger specifically. If the Battery Pack does not fit the Charger properly, do not try to insert it or force it. Look for the appropriate battery charger.
4. Plug the Charger directly into a grounded, 120VAC, 60Hz receptacle. The Indicator will flash green every 5 seconds when the charger is ready to charge a Battery Pack.
5. Slide the Battery Pack into the Charger. The Indicator will blink green while the Battery Pack is charging.



**CAUTION**

If the Indicator shows the alternating red and green flashing instead, the Battery Pack is not charging properly. Make sure connections are clean and tight, and that Battery Pack and Charger are both at proper charging temperature. If the indicator still blinks red and green alternating, the Battery Pack may be worn out or internally damaged.

To check if any damage.

1. Remove the Battery Pack from the Charger. Unplug the Charger to reset it.
2. After one minute, plug the Charger back into the receptacle. Then, slide the Battery Pack into the Charger.
3. If the indicator flashes red/green again, the Battery Pack is defective, remove it from the Charger. Do not leave a worn out or internally damaged Battery Pack in the Charger.

**NOTE**

If the Indicator blinks only red the Battery Pack and/or Charger are at an incorrect charging temperature. Charging room temperature: 43°F-122°F. Make sure that both Charger and Battery Pack are at the correct charging temperature. Allow sufficient time for both of them to cool off or warm up as needed.

6. While charging, the Battery Pack and Charger may become warm to the touch. This is normal and does not indicate a problem.
7. The Indicator will light up constant green when the Battery Pack is charged.
8. Allow the Battery Pack to cool completely before using it.
9. Unplug the Charger when not in use.

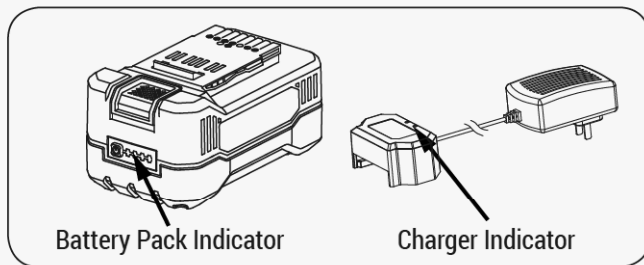


Figure 18

Charger Indicator

Light Indicator Definition	
Indicator Light	Definition
Solid Red	No battery pack is inserted

Green Blinking	Battery pack is charging
Green	Battery pack is charged
Red Blinking	Battery pack and/or battery charger is over or under the appropriate temperature range 43°F-122°F
Red-Green Blinking	Battery pack charging fault. See Troubleshooting page 21 for more information

Specification of Charger			
Charger Model#	LC4010	LC8022	LC8050
	Included in Model T4016S1, Not included in Model T4016S0	Sold separately	Sold separately
Input Rating	120VAC / 60Hz / 1A	120VAC / 60Hz / 2A MAX	120VAC / 60Hz / 2A MAX
Output Rating	42V / 1A	42V / 2.2A	42V / 5A
Compatible Battery Type	LB4020 (Included in Model T4016S1, Not included in Model T4016S0)	LB4020 (Included in Model T4016S1, Not included in Model T4016S0) LB8025+LB8040 (Sold separately)	
Operating Temperature	43°F-122°F		

**CAUTION**

DO NOT use the standard 40V wall charger with 80V FULLBOAR battery. 80V batteries require adapted FULLBOAR charger. Select the correct model.

Battery Pack Indicator

Light Indicator Definition						
Discharge Indication	Voltage range	LED 1	LED 2	LED 3	LED 4	Press the switch or turn it on and it will light up. Release the switch for 3 seconds and it will turn off
	~3.60	ON	OFF	OFF	OFF	
	3.60~3.75	ON	ON	OFF	OFF	
	3.75~3.90	ON	ON	ON	OFF	
	3.90~	ON	ON	ON	ON	

Charge Indication	~3.60	Blink	Blink	Blink	Blink	Flashing frequency 1HZ, flowing light, Flashing mode (Green light)
	3.60~3.80	ON	Blink	Blink	Blink	
	3.80~4.00	ON	ON	Blink	Blink	
	4.00~Full	ON	ON	ON	Blink	
	Full	ON	ON	ON	ON	
Charging High and Low Temperature Alarm	LED1 flashing, frequency 1HZ					
Battery Pack Abnormal Damage Alarm	LED1, LED2, LED3, and LED4 flash 5 times simultaneously to turn off					
Sleep Function	The protective board should be left in a non-discharging and non-charging state for 3 minutes to enter sleep mode.					

## MAINTENANCE

### CLEAN THE TRIMMER

1. After each use, clear away any grass and dirt encircling the trimmer head to ensure optimal performance.
2. Wipe down the housing of the trimmer with the soft cloth.
3. Keep the air vents clear of any obstructions or debris to prevent overheating and potential damage to the motor or battery.

**! WARNING** Before performing any cleaning on the trimmer, remove the battery pack.

**! WARNING** Avoid the usage of solvents such as petrol, alcohol, or ammonia water as they can potentially harm the plastic components of the product.

**! WARNING** Do not spray water onto the motor and electrical components to prevent damage.

### MAINTENANCE SCHEDULE

In the maintenance schedule you can see which parts of your product require maintenance, and at which intervals it should take place. The intervals are calculated based on average use of the product, and may differ depending on the rate of your personal use.

### GENERAL RECOMMENDATIONS

Always observe safety rules when performing any maintenance.

The warranty on this trimmer does not cover items that have been subjected to operator abuse or negligence. To receive full value from warranty, operator must maintain the trimmer as instructed here.

Periodically check all fasteners and make sure these are tight.

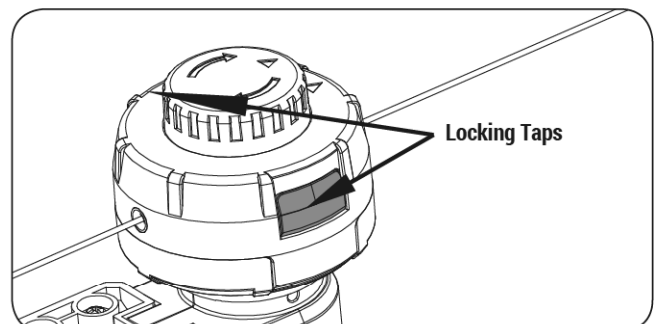
### GENERAL MAINTENANCE

1. Keep all the nuts, bolts and screws tight.
2. Check the trimmer for any signs of wear or damage to its components before each use.

### GENERAL MAINTENANCE

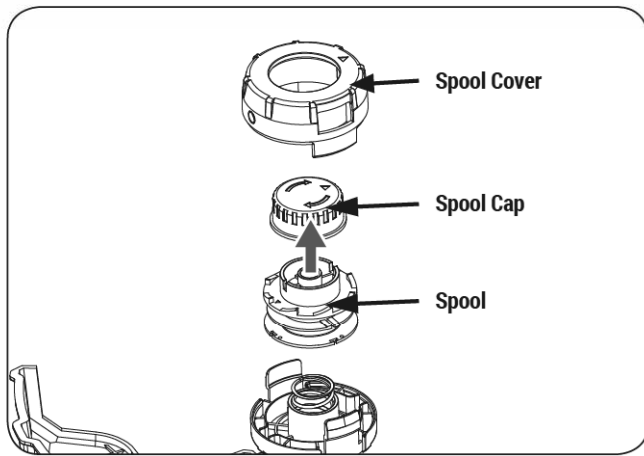
**! WARNING** Be careful of the cut-off knife on the trimmer guard, cut-off knife is sharp, please wear gloves before proceeding with the next steps to avoid the risk of injury.

1. Remove the Battery Pack.
2. Press both locking taps on the trimmer head to release the spool cover. (See **Figure 19**)



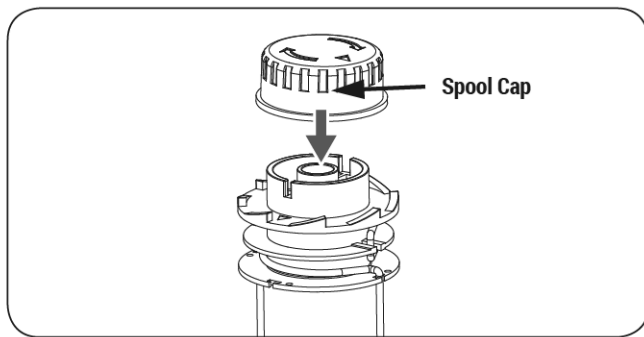
**Figure 19**

3. Remove the spool cover, then take off the spool cap, and finally, remove the spool from the trimmer head. (See **Figure 20**)



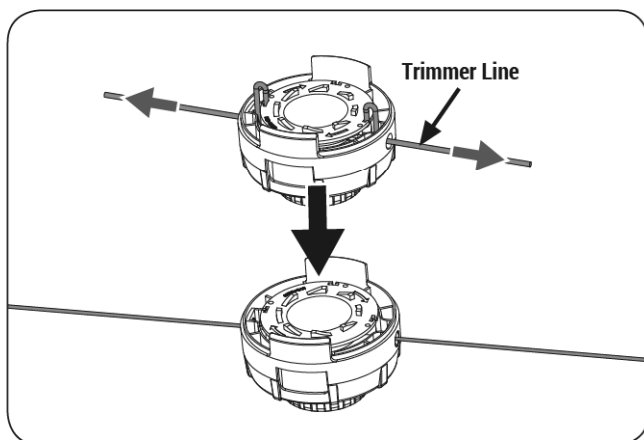
**Figure 20**

4. Use a soft cloth to clean the interior of the trimmer head.
5. Replace the spool.
6. Install the spool cap. (See **Figure 21**)



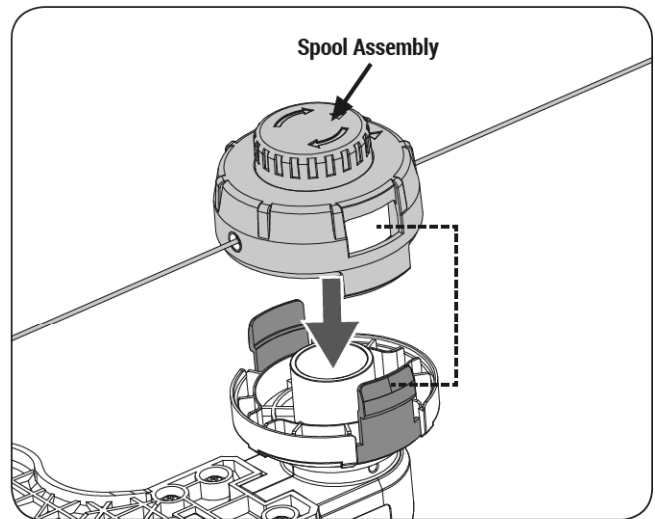
**Figure 21**

7. Install the spool cover. Align the ends of the trimmer line with the holes on the spool cover, thread the trimmer line through, and pull firmly to ensure the trimmer line is no longer caught in the notches of the spool. (See **Figure 22**)



**Figure 22**

8. Align the locking tabs with the slots to install the spool assembly. (See **Figure 23**)



**Figure 23**

### REPLACING THE NYLON TRIMMER LINE



**WARNING**

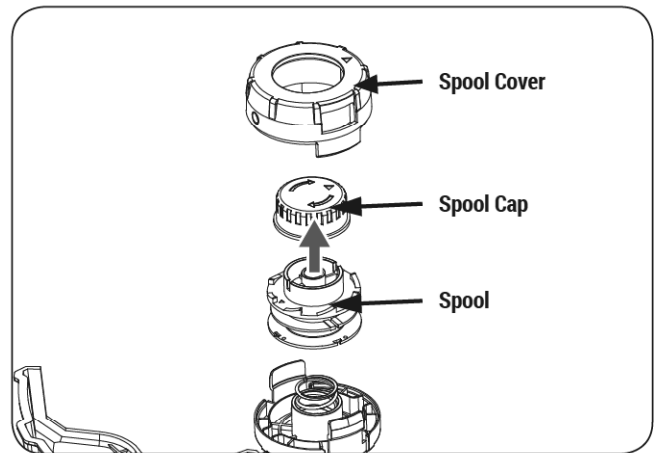
Be careful of the cut-off knife on the trimmer guard, cut-off knife is sharp, please wear gloves before proceeding with the next steps to avoid the risk of injury.



**WARNING**

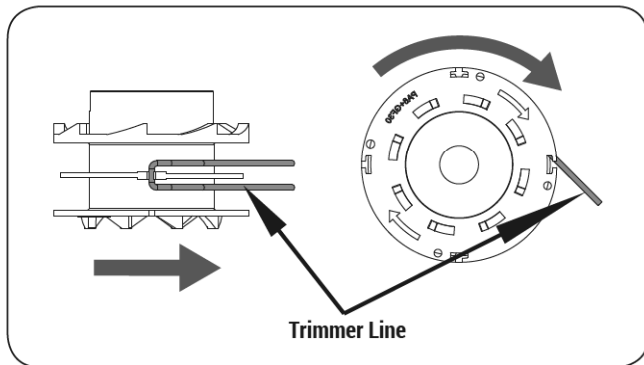
Only replace the line on this appliance with the line material and diameter of line listed on the Specifications table. Other materials, such as wire, rope, or blades can damage the appliance and be forcefully and dangerously ejected from the appliance upon breaking.

1. Remove the Battery Pack.
2. Press both tabs on the trimmer head to release the spool cover, remove the spool cover, spool cap and spool from the trimmer head. (See **Figure 24**)



**Figure 24**

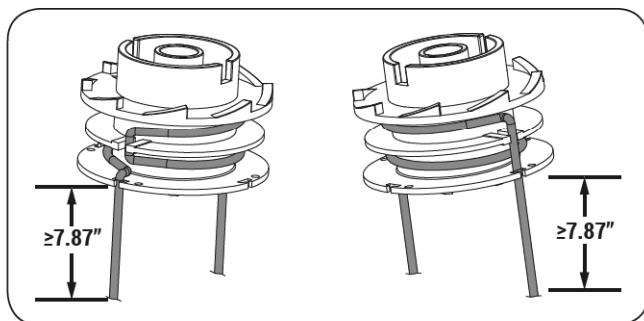
3. Remove the old trimmer line from the spool.
4. Use a soft cloth to clean the interior of the trimmer head.
5. Insert the Nylon trimmer line.
  - a. Fold the Nylon line in half and insert the folded end into the notch of the spool. Then wind the nylon line onto the spool in accordance with the direction indicated on the spool. (See **Figure 25**)



**Figure 25**

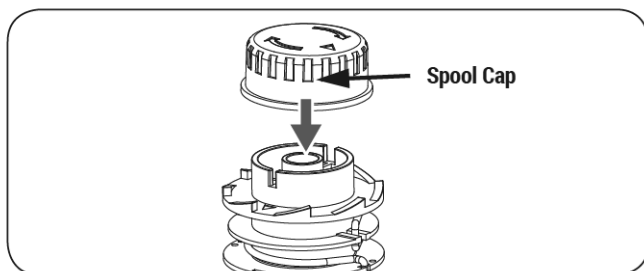
- b. After winding several loops of the Nylon line around the spool, leave a length of not less than 200mm. Then insert the ends of the remaining nylon line into the corresponding notches on opposite ends of the spool. (See **Figure 26**)

**CAUTION** Insert the ends of the line into the notches on opposite sides of the spool, ensuring they are not placed into adjacent notches.



**Figure 26**

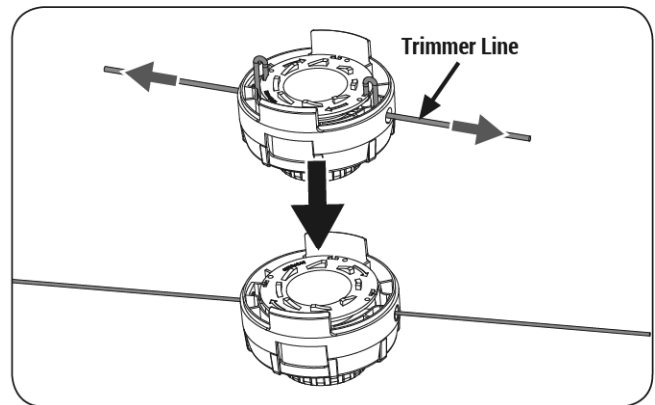
6. Install the spool cap. (See **Figure 27**)



**Figure 27**

7. Install the spool cover. (See **Figure 28**)

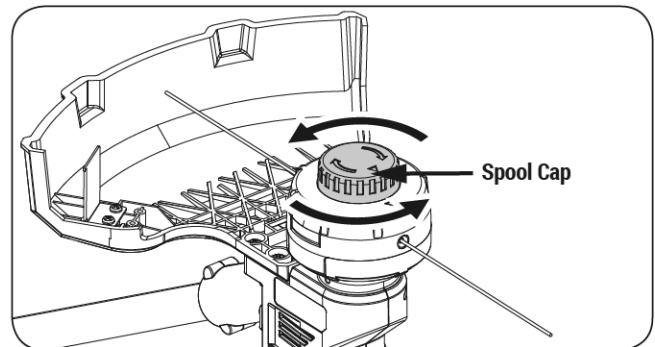
Align the ends of the trimmer line with the holes on the spool cover, thread the trimmer line through, and pull firmly to ensure the trimmer line is no longer caught in the notches of the spool.



**Figure 28**

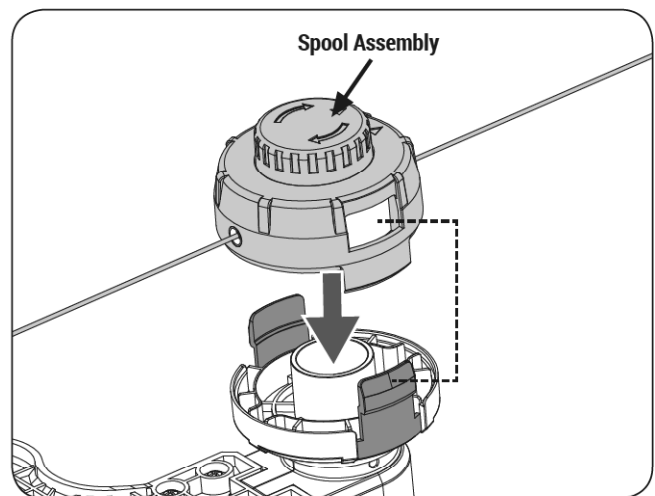
8. Adjust the length of Nylon line.

If the Nylon line left outside is too long, rotate the spool cap in the opposite direction as indicated by the arrow on top of the cap, the Nylon line will retract. (See **Figure 29**)



**Figure 29**

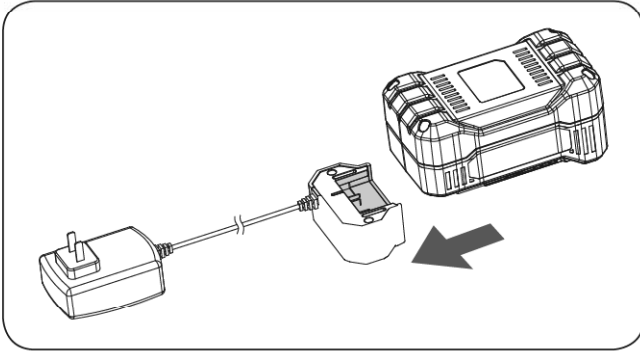
9. Align the locking tabs with the slots to install the spool assembly. (See **Figure 30**)



**Figure 30**

**BATTERY CHARGING**

Insert the battery into the charging dock for charging. (See **Figure 31**)



**Figure 31**

**NOTE**

*If you need fast charging, please purchase the single-port charger LC8022 or dual-port charger LC8050, which is sold separately.*

---

## TRANSPORT AND STORAGE

---

The following steps should be taken to prepare your string trimmer for storage.

Keep all equipment safe during transportation to prevent damage and accidents. Turn power to unit off and remove the battery from the equipment.

For storage, keep equipment in a lockable area away from children and persons that are not approved. Do not store next to corrosive materials, such as fertilizer.

For storage, keep the product and equipment in a dry and frost-proof area.

Store the battery and charger in a dry and dust-free area away from children and persons that are not approved.

Clean the product.

Tighten bolts and nuts.

Replace or repair damaged components.

Touch up all rusted or damaged paint surfaces. Sand lightly before painting.

Use the correct protective cover on the product to keep it dry. Do not use plastic because it lets condensation collect and causes corrosion on the product.

**NOTE**

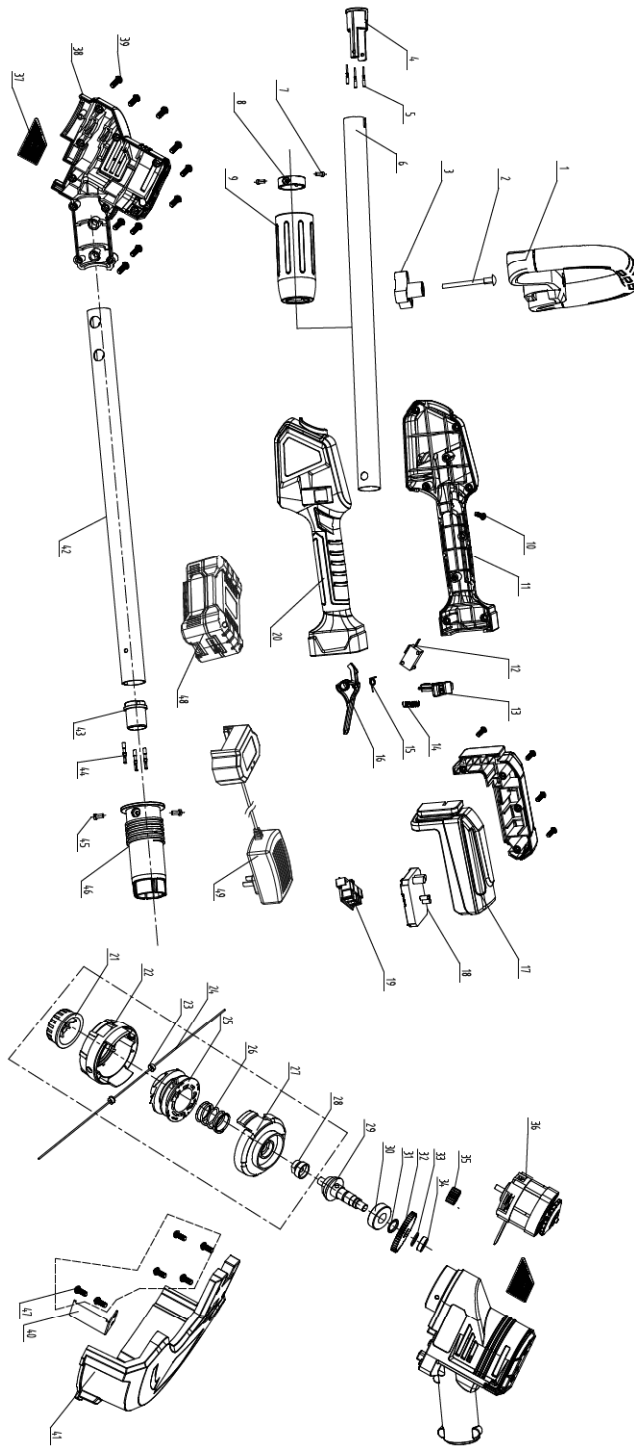
*Clean the trimmer thoroughly as described in Maintenance section.*

## TROUBLESHOOTING

Problem	Cause	Remedy
<b>The machine does not start.</b>	<ol style="list-style-type: none"> <li>1. The battery is not correctly installed in the machine.</li> <li>2. The battery pack is not charged.</li> <li>3. The battery pack is damaged.</li> <li>4. There is another electrical problem with the machine.</li> <li>5. The switch is defective.</li> <li>6. The battery is not inserted all the way in the trimmer.</li> <li>7. The grass winds around the trimmer head.</li> </ol>	<ol style="list-style-type: none"> <li>1. Remove and re-install the battery, making sure that it is fully inserted and latched.</li> <li>2. Remove the battery pack from the machine and charge it.</li> <li>3. Replace the battery pack.</li> <li>4. Contact an Authorized Service Dealer.</li> <li>5. Replace the switch.</li> <li>6. Insert the battery until it clicks.</li> <li>7. Clean the trimmer head of any grass.</li> </ol>
<b>The machine does not reach full power.</b>	<ol style="list-style-type: none"> <li>1. The battery pack charge capacity is too low.</li> <li>2. There may be a potential for clogging.</li> <li>3. Cutting tall grass at ground level.</li> </ol>	<ol style="list-style-type: none"> <li>1. Remove the battery pack from the machine and fully charge it.</li> <li>2. Clean the trimmer head of any grass.</li> <li>3. Perform multiple passes, cutting from the top down.</li> </ol>
<b>The battery pack loses charge quickly.</b>	The battery pack is over or under the appropriate temperature range.	Move the battery pack to a place where it is dry and the temperature is between 6°C (43°F) and 50°C (122°F).
<b>The battery charger is not working.</b>	<ol style="list-style-type: none"> <li>1. The battery charger is over or under the appropriate temperature range.</li> <li>2. The outlet that the battery charger is plugged into does not have power.</li> </ol>	<ol style="list-style-type: none"> <li>1. Unplug the battery charger and move it to a place where it is dry and the temperature is between 6°C (43°F) and 50°C (122°F).</li> <li>2. Contact your licensed electrician to repair the outlet.</li> </ol>
<b>The LED indicator light on the battery charger blinks red.</b>	The battery charger and/or battery pack is over or under the appropriate temperature range.	Unplug the battery charger and move the battery charger and battery pack to a place where it is dry and the temperature is between 6°C (43°F) and 50°C (122°F).

Problem	Cause	Remedy
<p>The LED indicator light on the battery charger is blinking red and green alternately.</p>	<ol style="list-style-type: none"> <li>1. There is an error in the communication between the battery pack and the charger.</li> <li>2. The battery pack is weak.</li> </ol>	<ol style="list-style-type: none"> <li>1. Remove the battery pack from the battery charger, unplug the battery charger from the outlet, and wait 10 seconds. Plug the battery charger into the outlet again and place the battery pack on the battery charger. If the LED indicator light on the battery charger is still blinking red/green alternately, repeat this procedure again. If the LED indicator light on the battery charger is still blinking red/green alternately after 2 attempts, properly dispose of the battery pack at a battery recycling facility.</li> <li>2. Properly dispose of the battery pack at a battery recycling facility.</li> </ol>
<p>It is difficult to remove the battery pack from the tool.</p>	<p>The battery pack/tool is new or there is corrosion in the battery terminals and/or the terminals on the tool.</p>	<p>Clean the terminals on the battery and the tool. Then apply dielectric grease to the battery terminals; do not use any other type of lubricant as it can damage the terminals.</p>
<p>The machine does not run continuously.</p>	<ol style="list-style-type: none"> <li>1. There is moisture on the leads of the battery pack.</li> <li>2. The battery is not fully installed into the tool.</li> </ol>	<ol style="list-style-type: none"> <li>1. Allow the battery pack to dry or wipe it dry.</li> <li>2. Remove and then replace the battery into the tool making sure that it is fully installed and latched.</li> </ol>
<p>Nylon line will not advance.</p>	<ol style="list-style-type: none"> <li>1. Line is welded to itself.</li> <li>2. Not enough line on spool.</li> <li>3. Line is tangled on spool.</li> <li>4. Line is worn too short.</li> </ol>	<ol style="list-style-type: none"> <li>1. Lubricate with silicone spray.</li> <li>2. Install more Nylon line.</li> <li>3. Remove line from spool and rewind.</li> <li>4. Simply tap the trimmer head on the ground to feed out the cutting line.</li> </ol>
<p>The Nylon line does not cut well.</p>	<p>The cut-off knife becomes dull.</p>	<p>Replace the cut-off knife to a new one.</p>
<p>Grass winds around the trimmer head and motor housing.</p>	<p>Cutting tall grass at ground level.</p>	<p>Perform multiple passes, cutting from the top down.</p>

# PARTS DIAGRAM



**NOTE**

There are no Part#49 Charger and Part#48 Battery (1pc) in Model No. T4016S0.



## PARTS LIST

No.	Description	Qty
1	Auxiliary Handle	2
2	Long Bolt	2
3	Unlock Knob	1
4	Fixed Bushing	1
5	Pin B	3
6	Upper Shaft	1
7	Rivet 4x7	2
8	Plug	1
9	Shaft Collar	1
10	Cross Recessed Tapping Screw	13
11	Right Handle	1
12	Start-Control Switch	1
13	Safety Switch	1
14	Small Spring 0.6*5.5*26	1
15	Lockout Torsional Spring	1
16	Switch Trigger	1
17	Battery Connector	1
18	Brushless Controller	1
19	Male Terminal Assembly	1
20	Left Handle	1
21	Spool Cap	1
22	Spool Cover	1
23	Line Bushing	2
24	Nylon Line	1
25	Winding Reel	1

No.	Description	Qty
26	Trimmer Spring	1
27	Lower Cover	1
28	Lower Cover Bushing	1
29	Output Shaft	1
30	Bearing 6001	1
31	Ring $\Phi$ 12	1
32	Gear	1
33	Ring $\Phi$ 9	1
34	Bearing 688Z	1
35	Motor Gear	1
36	Motor	1
37	Wire Mesh	2
38	Trimmer Cover Left + Right	1
39	Screw ST3.9*14	8
40	Cut-off Knife	1
41	Guard	1
42	Lower Shaft	1
43	Bushing	1
44	Pin A	3
45	Rivet $\Phi$ 4*7	2
46	Thread Sleeve	1
47	Screw ST3.9*12	6
48	Battery	1
49	Battery Charger	1

**NOTE**

There are no Part#49 Charger and Part#48 Battery (1pc) in Model No. T4016S0.







**GO FULL BOAR™**