



Save This Manual for Future Reference

80V Brushless 20 in. Cordless Battery Walk Behind Push Mower

Operator's Manual



MODEL NUMBER

M2025P

SERIAL NUMBER

PURCHASE DATE

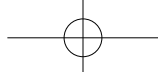
Both model number and serial number may be found on the main label. You should record both of them in a safe place for future use.



FOR YOUR SAFETY

READ AND UNDERSTAND THE ENTIRE MANUAL BEFORE OPERATING MACHINE

GO FULL BOAR™



Your new FULL BOAR® battery walk-behind lawn mower offers professional quality construction, and is easy and safe to operate. With proper use and care, it is designed to give you many years of dependable service.

Introducing our FULL BOAR® Battery-Powered Lawnmower – the epitome of efficiency and environmental friendliness! With zero emissions and the power to tackle any lawn with ease, this mower is a game-changer in lawn care. Experience the freedom of cordless convenience as you effortlessly navigate through your yard.

Discover the FULL BOAR Advantage

At FULL BOAR, we understand that land ownership definitely has its privileges, but it also comes with a great deal of responsibility. When duty calls and you need to respond, will you have what it takes to tame the great outdoors?

When looking for outdoor power equipment (OPE) to get the job done right, at the right price, FULL BOAR delivers the perfect combination of performance and practicality. FULL BOAR has a solution that's right for you.

MAX Performance, MAX Value, MAX Support

- ✓ Backed by decades of proven manufacturing expertise
- ✓ Enhanced design features come standard
- ✓ Engineered for the best user experience
- ✓ Quality metal parts are used instead of plastic
- ✓ A robust warranty supports all products
- ✓ Budget-friendly prices make it practical



Up for the job? FULL BOAR is.

TABLE OF CONTENTS

Introduction	1
Specifications	4
Symbols	5
Safety	6
Contents Supplied	10
Assembly	11

Know Your Machine	13
Operation	15
Maintenance	19
Transport & Storage	21
Troubleshooting	22
Parts Diagram	24

! WARNING Carefully read through this entire operator's manual before using your new unit. Pay attention to all cautions and warnings.

This battery walk-behind lawn mower is intended to be used by residential homeowners. It is designed primarily for cutting grass on well-maintained lawns on residential properties. It is not designed for cutting brush or for agricultural uses. It starts easy and cuts cleanly. The efficiency of the cutting system leaves your lawn looking spotless and clean.

! WARNING CALIFORNIA PROPOSITION 65 WARNING
 Cancer and Reproductive Harm. www.P65Warnings.ca.gov.

ENVIRONMENTAL

Waste electrical products should not be disposed of with household waste. Please recycle where facilities exist. Check with your local authority or retailer for recycling advice. The battery contains material which is hazardous to you and the environment. It must be removed and disposed of separately at a facility that accepts lithium-ion batteries.

MODEL AND SERIAL NUMBERS

Record the model and serial number as well as date and place of purchase for future reference. Have this information available when ordering parts or optional accessories and when making technical or warranty inquiries.

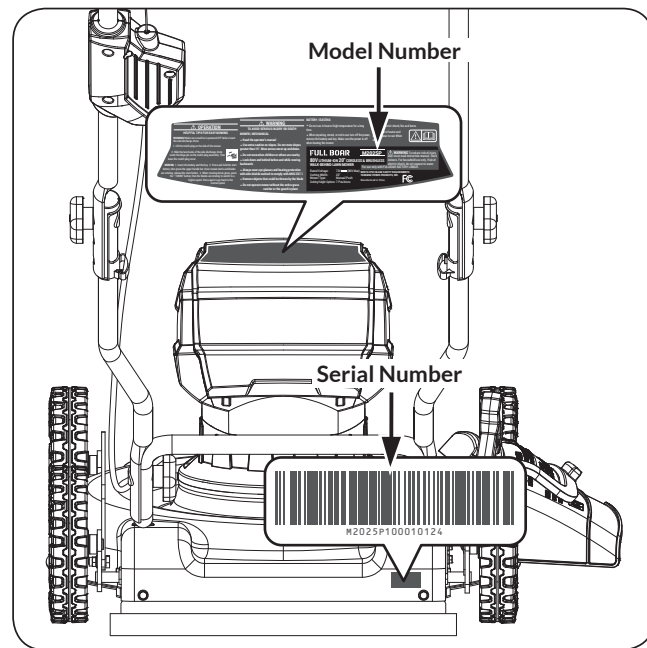
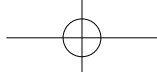


Figure 1

DISCLAIMER

Manufacturer reserves the right to discontinue, change, and improve its products at any time without notice or obligation to the purchaser. The descriptions and specifications contained in this manual were in effect at printing. Equipment described within this manual may be optional. Some illustrations may not be applicable to your unit.



SUPPORT

Have questions about your FULLBOAR equipment?
Call us at (888) 533-2999, email us at Support@gofullboar.com, or contact us via your favorite social media site.

SPECIFICATIONS

Model #	M2025P1	M2025P0
Voltage	80 V	
Battery Included	Battery Model No. LB8025	NO
Battery Amp Hours	2.5 A	
Number of Batteries Included	1	0
Charger Included	Charger Model No. LC8022	NO
Mower Type	Manual Push	
Cutting Options	Mulch, Side Discharge	
Cutting Width	500 mm / 20"	
Max. Cutting Height	3.1"	
Mini. Cutting Height	1.3"	
Cutting Hieght Options	7 positions	
Deck Material	16 Gauge	
Deck Type	Stamped	
Front Wheel Size	7"	
Rear Wheel Size	7"	
Rear Wheel Height	Low Wheel	
Double Ball Bearing Wheels	Yes	
Recommended Terrain	Flat, Sloped	
Size of Yard	1/4 - 1/2 Acre	
Number of Blades	1	
Number of Handlebar Positions	3	
Weight (lbs)	45.2 lbs	
Product Dimension (LxWxH)	58.2" x 25" x 39.1"	

 **NOTE**

The machine specification varies with different models. Some illustration may not be applicable to your unit. Everything is subject to the actual item.

SYMBOLS

The rating plate on your machine may show symbols. These represent important information about the product or instructions on its use.



DANGER
WARNING
CAUTION



Read these instructions carefully.



Wear approved hearing protection.



Wear eye protection with side shields marked to comply with ANSI Z87.1.



WARNING marking concerning Risk of Fire. Do not cover Charger ventilation ducts. Charge on fireproof surface only.



WARNING marking concerning Risk of Electric Shock. Properly connect Charger's power cord to appropriate outlet.



Caution: Lithium battery-powered lawn mower. Do not expose to rain. Keep battery and electrical components dry to prevent damage. Failure to use in dry conditions and to observe safe practices can result in electric shock.



To reduce the risk of injury, keep hands and feet away from all pinch points, especially the cutting blades. Do not operate unless discharge cover or grass bagger is in its proper place. If damaged, replace immediately.



Risk of fire and burns. Do not expose battery, battery compartment, or electronic components to rain, water, or liquids. Close cover during use. Do not operate on wet ground.



Before performing any maintenance or cleaning the lawn mower, make sure the mower blades come to a complete stop and the batteries and start key are removed to avoid accidental starting and possible serious personal injury.



Before leaving the mower, or not mowing, make sure the mower blades come to a complete stop and the batteries and start key are removed to avoid accidental starting and possible serious personal injury.



Prohibit taking the battery out when machine is running.



Before storage, make sure the batteries and key are removed to avoid accidental starting and possible serious personal injury.



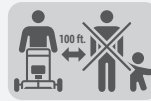
Keep hands and feet away from moving parts. Moving parts can crush or cut.



Use extra caution on slopes. The machine is heavy and can speed up when going downhill. Be prepared to maintain control of the machine. To avoid loss of control, operate across slopes, not up and down. When turning, turn uphill, not down. Do not operate on slopes greater than 15°.



Do not operate when children or others are around.



Do not allow the directional discharge chute to point in the direction of bystanders or pets.



Objects can be ejected by the blade. Thrown objects can result in personal injury or property damage.



Before and while walking backwards, look behind and down for small children, animals or other risks that can cause you to fall.

SAFETY

The definitions below give the level of severity for each signal word.

⚠ DANGER *This symbol points out important safety instructions. This machine was built to be operated according to the safe operation practices in this manual. As with any type of power equipment, carelessness or error on the part of the operator can result in serious injury. This machine is capable of amputating fingers, hands, toes and feet and throwing foreign objects. Failure to observe the safety instructions could result in serious injury or death.*

⚠ WARNING *This symbol points out safety instructions. Read and follow all instructions before attempting to operate this machine. Failure to comply with these instructions may result in personal injury.*

⚠ CAUTION *This symbol indicates a hazard, which, if not avoided, may result in minor or moderate injury.*

📌 NOTE *This information makes the product easier to use.*

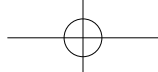
GENERAL SAFETY RULES

UNDERSTAND YOUR MACHINE

1. Read this manual and labels affixed to the machine to understand its limitations and potential hazards before attempting to assemble this machine. Read, understand, and follow all instructions on the machine and in the manuals before operation.
2. Basic safety precautions should always be followed when using electric lawn mowers, in order to reduce the risk of fire, electric shock, and personal injury.
3. Be thoroughly familiar with the controls and their proper operation. Know how to stop the machine and disengage the controls quickly.
4. Keep the manual in a safe place for future and regular reference.
5. If the unit is to be used by someone other than original purchaser or loaned, rented, or sold, always provide this manual and any needed safety training before operation. The user can prevent and is responsible for accidents or injuries that may occur to themselves, other people, and property.
6. This machine is a precision piece of power equipment, not a plaything. Therefore, exercise extreme caution at all times. This machine has been designed to perform one job: to mow grass. Do not use it for any other purpose.
7. Do not force the machine. Use the correct machine for your application. The correct machine will do the job more efficiently and safely at the rate it was designed.

PERSONAL SAFETY

1. Do not permit children to operate this machine at any time. Only responsible individuals who are familiar with these rules of safe operation should be allowed to use this machine.
2. To help avoid blade contact or a thrown object injury, stay in operator zone behind handles and keep children, pets, and other people not using the unit away from the work area. Be alert and shut off unit if anyone enters work area. Keep children under the watchful care of a responsible adult.
3. Thoroughly inspect the area where the equipment is to be used. Remove all stones, sticks, wire, bones, toys and other foreign objects, which could be tripped over or picked up and thrown by the blade. Thrown objects can cause serious personal injury.
4. Plan your mowing pattern to avoid discharge of material toward roads, sidewalks, bystanders and the like. Also, avoid discharging material against a wall or obstruction, which may cause discharged material to ricochet back toward the operator; this may cause personal injury.
5. Do not operate the machine while under the influence of drugs, alcohol, or any medication that could affect your ability to use it properly.
6. Wear sturdy, rough-soled work shoes and close-fitting slacks and shirts. Shirts and pants that cover the arms and legs and steel-toed shoes are recommended. Never operate this machine in bare feet, sandals, slippery or lightweight (e.g. canvas) shoes.
7. Protect eyes, face, and head from objects that may be thrown from the



unit. Always wear safety goggles or safety glasses with side shields when operating and while performing an adjustment or repair.

8. Always use approved ear protection while you operate the product. Noise for a long period can cause noise-induced hearing loss.
9. Always keep hands and feet away from all moving parts and under the cutting deck. Contact with moving parts and/or blade can amputate fingers, hands, toes and feet.
10. A missing or damaged discharge cover can cause blade contact or thrown object injuries. Do not use a damaged product. Obey the maintenance schedule. Only do the maintenance work that you find an instruction about in this manual.

BATTERY SAFETY

1. Use only approved replacement batteries, other batteries may cause injury or damage to the mower.
2. Do not crush, drop, or damage battery pack. Do not use a battery pack or charger that has been dropped or received a sharp blow. A damaged battery is subject to explosion. Properly dispose of a dropped or damaged battery immediately.
3. Batteries can explode in the presence of a source of ignition, such as a pilot light. To reduce the charge battery in a damp or wet location. Following this rule will reduce the risk of electric shock.
4. For best results, your battery should be charged in a location where the temperature is more than 43°F but less than 122°F. To reduce the risk of serious personal injury, do not store outside or in vehicles.
5. Under extreme usage or temperature conditions, battery leakage may occur. If liquid comes in them with clean water for at least 10 minutes, then seek immediate medical attention. Following this rule will reduce the risk of serious personal injury.
6. When battery pack is not in use, keep it away from other metal objects like: paper clips, coins, keys, nails, screws, or other small metal objects that can make a connection from one terminal to another. Shorting the Battery Pack terminals together may cause burns or a fire.
7. Always remove battery from your tool when you are assembling parts, making adjustments, cleaning, or when not in use. Removing the battery pack will prevent accidental starting that could cause serious personal injury.
8. Always remove battery before storing the device. When battery becomes fully charged, unplug the charger from the power supply and remove the battery pack from the charger
9. Keep battery pack dry, clean, and free from oil and grease. Always use a clean cloth when cleaning.
10. When transporting or serving unit, always remove the battery.
11. Under abusive conditions, liquid may be ejected from the Battery

Pack; avoid contact. If contact accidentally occurs, flush with water. If liquid contacts eyes, additionally seek medical help. Liquid ejected from the battery pack may cause irritation or burns.

CHARGE SAFETY

1. Do not expose a battery pack or power tool to fire or excessive temperature. Exposure to fire or temperature above 212°F may cause explosion. The battery Charger gets hot during use. The Charger's heat can build up to unsafe levels and create a fire hazard if it does not receive adequate ventilation, due to an electrical fault, or if it is used in a hot environment. Do not place the Charger on a flammable surface. Do not obstruct any vents on the Charger. Especially avoid placing the charger on carpets and rugs; they are not only flammable, but they also obstruct vents under the charger. Place the Charger on a stable, solid, nonflammable surface (such as a stable metal workbench or concrete floor) at least 1 foot away from all flammable objects, such as drapes or walls. Keep a fire extinguisher and a smoke detector in the area. Frequently monitor the Charger and Battery Pack while charging.
2. Charge the mower battery in a dry area that is protected from the weather. Do not expose the charger to rain. Do not charge the battery in a wet location. Operate the battery charger in temperatures between 43°F and 122°F. In order to reduce the risk of electric shock, use only the charger that is provided by the manufacturer to charge the battery.
3. Follow all charging instructions and do not charge the battery pack or power tool outside of the temperature range specified in the instructions. Charging improperly or at temperatures outside of the specified range may damage the battery and increase the risk of fire.
4. Have servicing performed by a qualified repair person using only identical replacement parts. This will ensure that the safety of the product is maintained.
5. Do not abuse the charger cord. Never carry the charger by the cord. Do not disconnect the charger from the outlet by pulling the charger cord.
6. Do not use a damaged charger. Replace the charger cords or the charger immediately.
7. Keep the mower and the charger away from water, heat sources (radiators, heaters, stoves, etc.).
8. Make sure the battery is secured in the charger.
9. The battery will become slightly warm to the touch while charging. This is normal and does not indicate a problem.
10. Do not place the charger and battery pack in an area of extreme heat or cold. They will work best at normal room temperature.
11. When batteries become fully charged, unplug the charger from the power supply and remove the battery.
12. Charge indoors only.
13. Charger plugs must match the outlet. Never modify the plug in any

way. Unmodified plugs and matching outlets will reduce risk of electric shock.

14. Store idle chargers out of the reach of children and do not allow persons unfamiliar with the charger or these instructions to operate the Charger.
15. Maintain chargers. Check for breakage of parts and any other condition that may affect the Charger's operation. If damaged, have the Charger repaired before use.
16. Inspect before every use; do not use if parts are loose or damaged.
17. Use as intended only.
18. Maintain labels on the Charger. These carry important safety information. If unreadable or missing, contact our service for a replacement.
19. This product is not a toy. Keep it out of reach of children.

20. People with pacemakers should consult their physician(s) before use. Electromagnetic fields in close proximity to heart pacemaker could cause pacemaker interference or pacemaker failure. In addition, people with pacemakers should properly maintain and inspect to avoid electrical shock.

PRODUCT LIABILITY

As referred to in the product liability laws, we are not liable for damages that our product causes if:

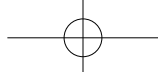
- the product is incorrectly repaired.
- the product is repaired with parts that are not from the manufacturer or not approved by the manufacturer.
- the product has an accessory that is not from the manufacturer or not approved by the manufacturer.
- the product is not repaired at an approved service center or by an approved authority.

SPECIFIC SAFETY RULES

OPERATION SAFETY

1. This machine has been designed to perform one job: to mow grass. Do not use it for any other purpose.
2. Operate the product only in daylight or in good artificial light. Walk, never run.
3. Stop the blade when crossing gravel drives, walks or roads.
4. A missing or damaged discharge cover can cause blade contact or thrown object injuries.
5. Many injuries occur as a result of the mower being pulled over the foot during a fall caused by slipping or tripping. Do not hold on to the mower if you are falling: release the handle immediately.
6. Never pull the mower back toward you while you are walking. If you must back the mower away from a wall or obstruction, first look down and behind to avoid tripping and then follow these steps:
 - a. Step back from mower to fully extend your arms forward.
 - b. Be sure you are well balanced with sure footing.
 - c. Pull the mower back slowly, no more than half way toward you.
 - d. Repeat these steps as needed.
7. Do not touch parts that are hot from operation. Allow parts to cool before attempting to maintain, adjust, or service. Serious burns may result.
8. Stay alert, watch what you are doing, and use common sense when operating the machine.

9. Do not overreach. Do not operate the machine while barefoot or when wearing sandals or similar lightweight footwear. Wear protective footwear that will protect your feet and improve your footing on slippery surfaces. Keep proper footing and balance at all times. This enables better control of the machine in unexpected situations.
10. The blade control handle is a safety device. Never attempt to bypass its operation. Doing so makes the safety device inoperative and may result in personal injury through contact with the rotating blade. The blade control handle must operate easily in both directions and automatically return to the disengaged position when released.
11. Never operate the mower on wet grass. Always be sure of your footing. A slip and fall can cause serious personal injury. If you feel you are losing your footing, release the blade control handle immediately and the blade will stop rotating within three seconds.
12. Shut the machine down and wait until the blade comes to a complete stop before removing the grass bagger or unclogging the chute. The cutting blade continues to rotate for a few seconds after the blade control is released. Never place any part of the body in the blade area until you are sure the blade has stopped rotating.
13. Never operate mower without proper trail shield, discharge cover, grass bagger, blade control handle or other safety protective devices in place and working. Never operate mower with damaged safety devices. Failure to do so can result in personal injury.
14. Never attempt to make a wheel or cutting height adjustment while the machine is running.
15. If the equipment should start to vibrate abnormally, stop the motor and remove the battery, Check immediately for the cause. Vibration is generally a warning of trouble.



16. This manual cannot include all situations that can occur when you use the product. Be careful and use your common sense. Do not operate the product or do maintenance to the product if you are not sure about the situation. Contact Customer Support for assistance.

SLOPE OPERATION

1. Slopes are a major factor related to slip and fall accidents, which can result in severe injury. Operation on slopes requires extra caution. The machine is heavy and can speed up when going downhill. Be prepared to maintain control of the machine. If you feel uneasy on a slope, do not mow it. If the slope is greater than 15 degrees, do not mow it.
2. Mow across the face of slopes, never up and down, to avoid loss of control. Exercise extreme caution when changing direction on slopes; watch for holes, ruts, rocks, hidden objects, or bumps which can cause you to slip or trip. Tall grass can hide obstacles.
3. Always be sure of your footing. A slip and fall can cause serious personal injury. If you feel you are losing your balance, release the blade control handle immediately and the blade will stop rotating.
4. Do not mow near drop-offs, ditches or embankments, because you could lose your footing or balance.

WORK AREA SAFETY

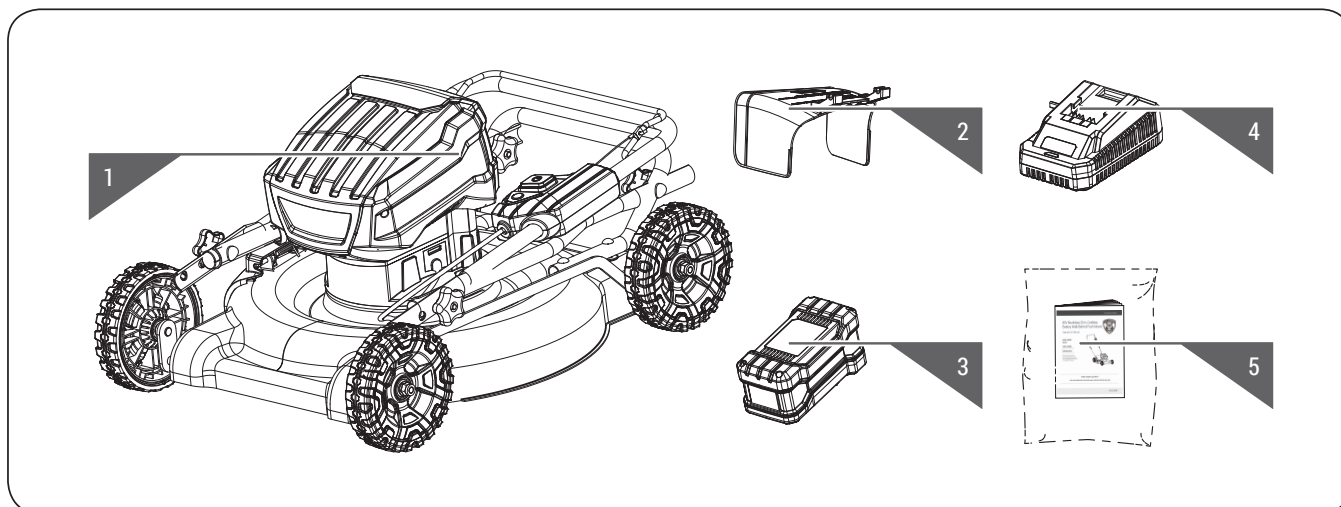
1. Remove branches, twigs, stones and other objects from the lawn before you start to cut.
2. Keep persons, including children, and animals at a safe distance from the work area.
3. Objects that hit against the cutting equipment can be ejected and cause damage to persons and objects.
4. Do not use the product in bad weather, including fog, rain, moist or wet locations, strong winds, intense cold and risk of lightning. Doing work in bad weather can cause fatigue and dangerous conditions, such as slippery surfaces.
5. Examine your work area to make sure that your control of the product cannot be prevented.
6. Be careful of roots, stones, twigs, pits and ditches.
7. High grass can conceal obstacles.
8. Operate the product only in daylight or in good artificial light.
9. Do not operate the product on wet grass.
10. Be careful when you go near hidden corners and objects that can prevent your view.
11. Maintain a high level of caution when you reverse or pull the product in your direction.

MAINTENANCE SAFETY

1. Before cleaning, repairing, or inspecting the product, stop the machine and make certain the blade and all moving parts have stopped. Remove the switch key and batteries to prevent unintended starting.
2. Check the blade and engine mounting bolts at frequent intervals for proper tightness. Also, visually inspect blade for damage (e.g. bent, cracked, worn). Replace blade with the original equipment manufacturer's (O.E.M.) blade only, listed in this manual. Use of parts which do not meet the original equipment specifications may lead to improper performance and compromise safety!
3. Mower blades are sharp and can cut. Wrap the blade or wear gloves, and use extra caution when servicing them.
4. Keep all nuts, bolts, and screws tight to be sure the equipment is in safe working condition.
5. Accessories and changes to the product that are not approved by the manufacturer can cause serious injury or death. Do not alter the product. Always use accessories that are approved by the manufacturer.
6. Deflectors, guards and shields decrease the risk of objects being ejected from the product in the direction of the operator or other persons. Make sure the deflectors, guards and shields are not damaged and that no defects are in view, such as cracks, broken springs or missing hardware. Replace any damaged or missing parts.
7. If the maintenance is not done correctly and regularly, the risk of injury and damage to the product increases.

CONTENTS SUPPLIED

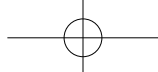
Your Full Boar lawn mower comes partially assembled and contains the following:



NOTE

Before beginning assembly of product, make sure all parts are present. Compare parts with below package contents list. If any part is missing or damaged, do not attempt to assemble the product.

- 1. Main Machine
- 2. Side Discharge Chute
- 3. Battery
- 4. Charger
- 5. Operator's Manual and Engine Manual



ASSEMBLY

This lawn mower was partially assembled at the factory. To assemble your machine follow the below instructions.

HANDLE

1. Unfold the handlebars to the working position. (See **Figure 2, illustration 1**)
2. Tighten the lower star shaped clamping nut knobs and carriage bolts (connecting the lower and intermediate connecting handlebar). (See **Figure 2, illustration 2**)

3. Tighten the star shaped knobs and carriage bolt connecting the upper and intermediate connecting handlebars. (See **Figure 2, illustration 3**)

NOTE *Strictly follow the positions of carriage bolts and star shaped clamping nuts knobs.*

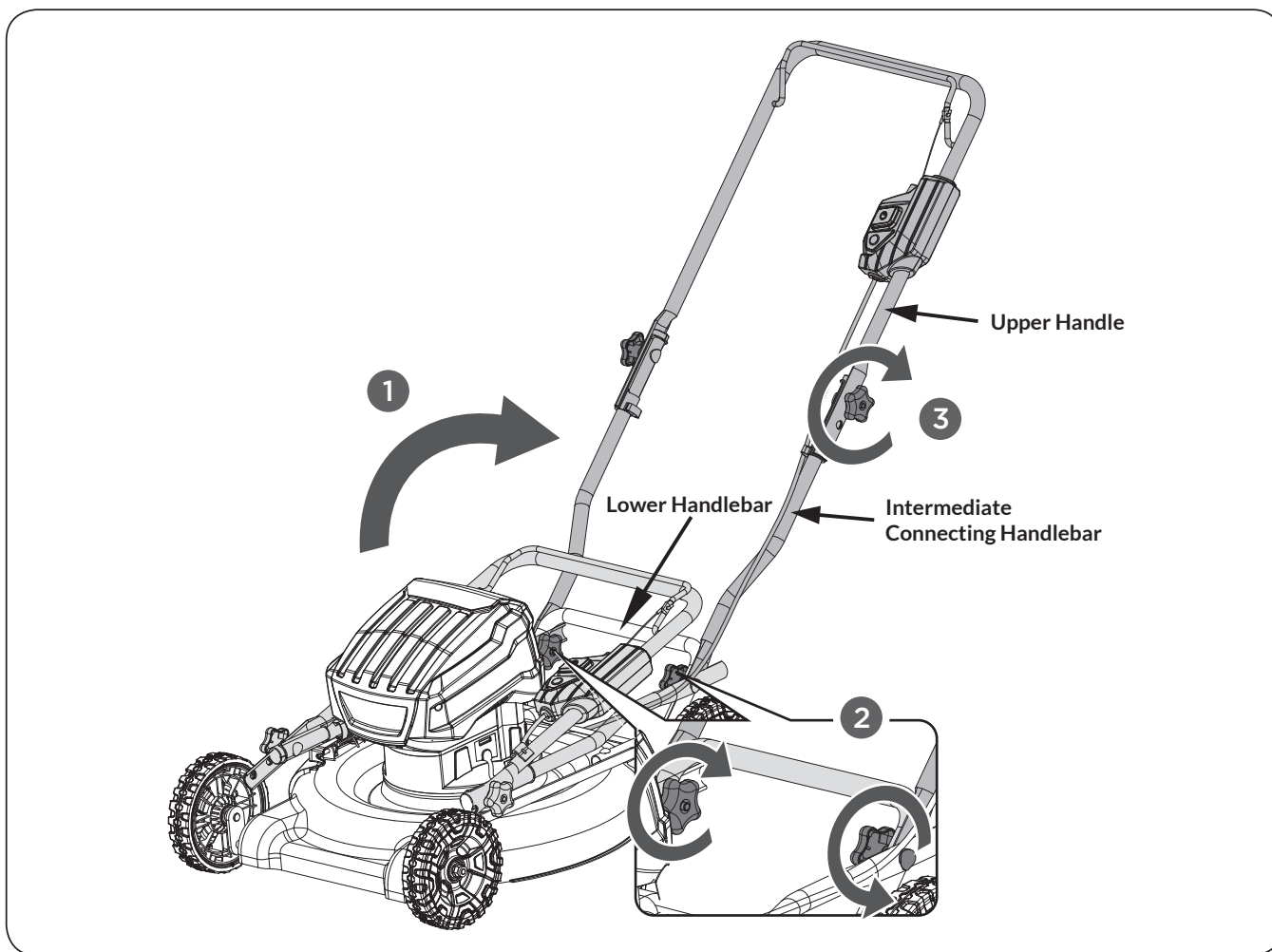


Figure 2

SIDE DISCHARGE CHUTE

1. Lift the mulch cover on the side of the mower. (See **Figure 3, illustration 1**)
2. Slide the two hooks of the side discharge cover under hinge pin on mulch cover assembly. Lower the mulch cover. (See **Figure 3, illustration 2**)

⚠ WARNING Do not remove side mulch cover at any time, even when you are not mulching.

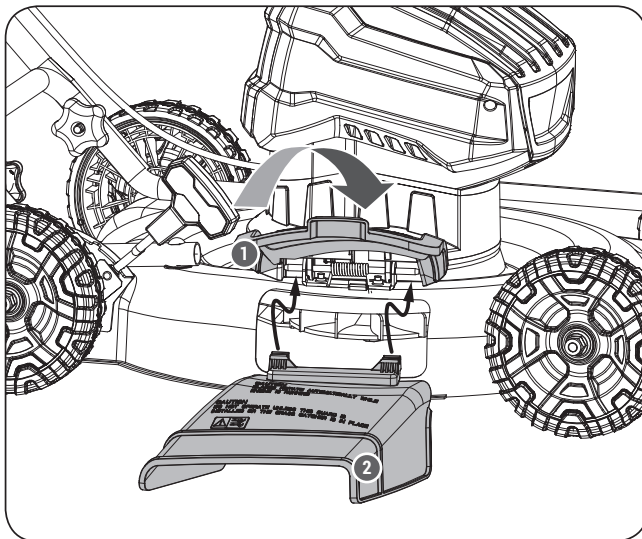


Figure 3

BATTERY

📍 NOTE Charge the battery as described in the charging section under OPERATION

⚠ WARNING If the machine is not going to be used immediately, remove the battery.

1. Lift and hold up the battery door. (See **Figure 4**)

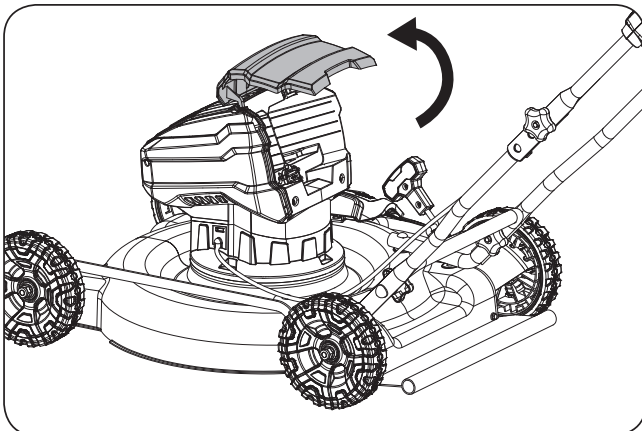


Figure 4

2. Align the battery with the right battery port. Make sure the battery release button snaps in place and the battery is fully seated and secure in the mower before beginning operation. (See **Figure 5**)
3. Insert the key.

⚠ WARNING If the machine is not going to be used immediately, do not insert the key.

4. Close the battery door.

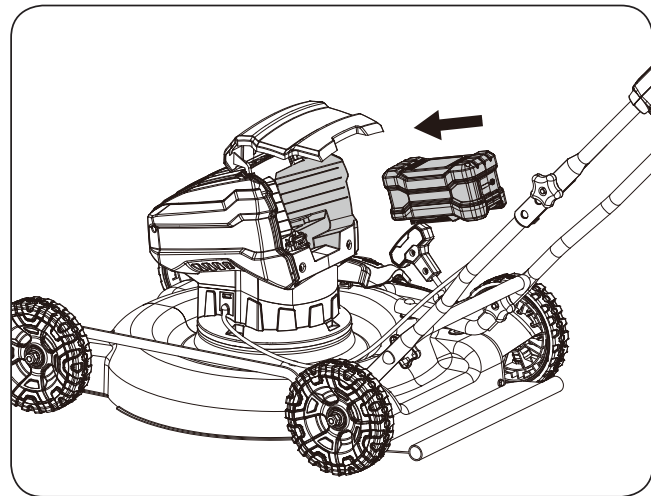


Figure 5

5. To remove the battery, open the battery door, press and hold the battery release button at the bottom of battery pack, until the battery is released. Hold the battery and slide it out. (See **Figure 6**)

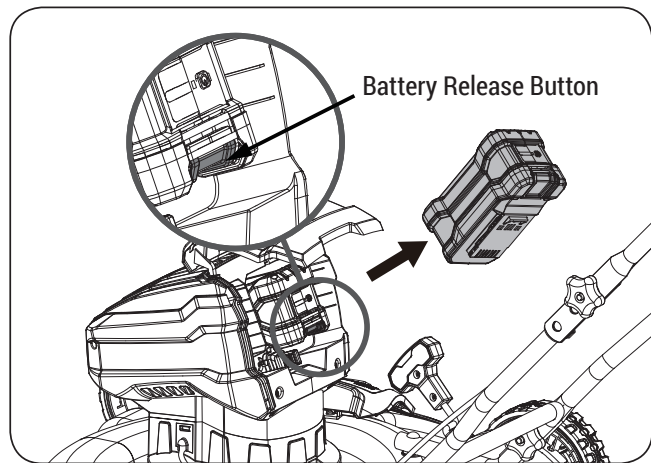
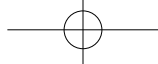
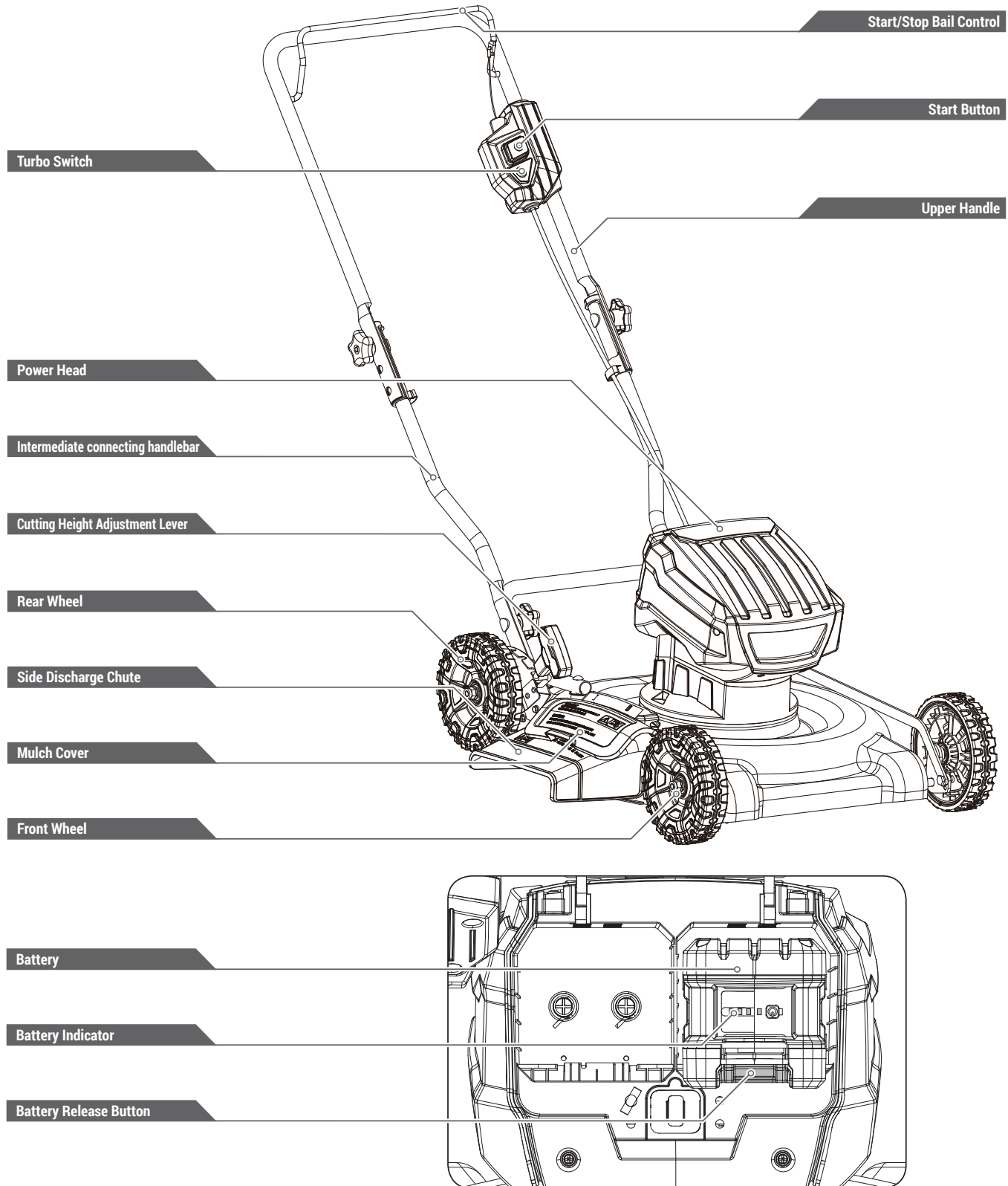


Figure 6



KNOW YOUR MACHINE

FEATURES AND CONTROLS



Start/Stop Bail Lever

- » The start/stop bail lever is attached to the upper handle of the mower. Depress and squeeze it against the upper handle to operate the unit. Release it to stop engine and blade.

! WARNING *This start/stop Bail Lever is a safety device. Never attempt to bypass its operation.*

Cutting Height Adjustment Lever

- » Move this lever to desired position to change the cutting height.

Mulch Cover

- » The mulch cover is used for mulching purposes. Instead of collecting the grass clippings in a grass catcher or using the side discharge chute, some mower models have the option of recirculating the clippings back to the lawn. This is called mulching.

Side Discharge Chute

- » Your mower is shipped as a mulcher. To discharge the grass clippings to the side instead, follow the instructions on page 12 in the Assembly section to attach the side discharge chute.

! WARNING *Keep hands and feet away from the chute area on cutting deck. Refer to warning label on the unit.*

Start Button

- » Press the start button to start the device.

Turbo Switch

- » Turn on the "Turbo" mode when encountering dense grass. While the blade is rotating, press the "Turbo" button once to run the blade at a higher speed. Press again to go back to normal speed.

OPERATION

CUTTING HEIGHT ADJUSTMENT

The cutting height can be adjusted to 7 different positions. Raise wheels for low cut and lower wheels for high cut. Adjust cutting height to suit your requirements. Medium position is best for most lawns.

⚠ WARNING *Adjusting the cutting height may bring you into contact with the moving blade, causing serious injury.*

To change cutting height, push height adjustment lever forward or backward. Move the wheel up or down for your cutting requirements. (See **Figure 7**)

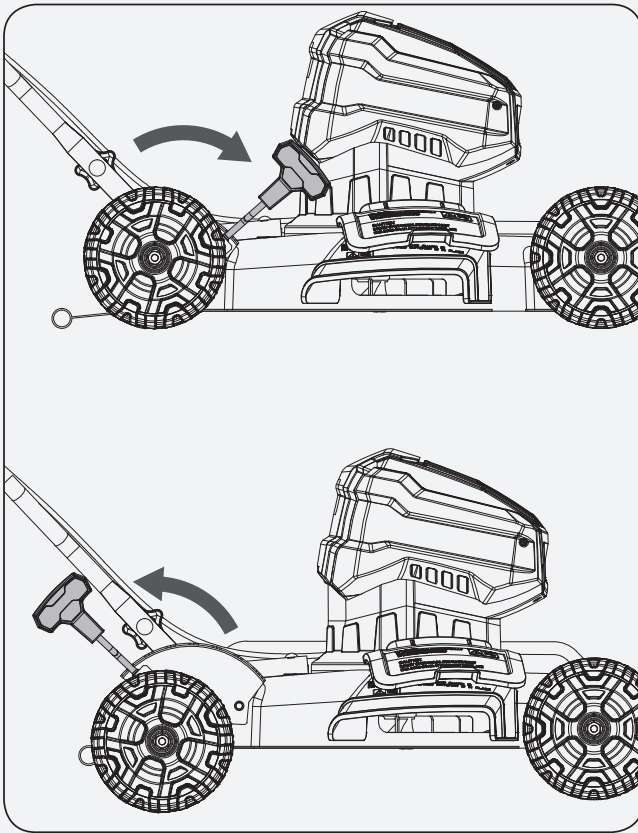


Figure 7

🏷 NOTE *For rough or uneven lawns, move the height adjustment lever to a higher position. This will prevent you from cutting the grass too close to the ground.*

STARTING

⚠ WARNING *Be sure no one other than the operator is standing near the lawn mower while starting operating mower. Keep hands, feet, hair and loose clothing away from any moving parts on lawn mower.*

1. Hold and lift up the battery door. (See **Figure 8**)

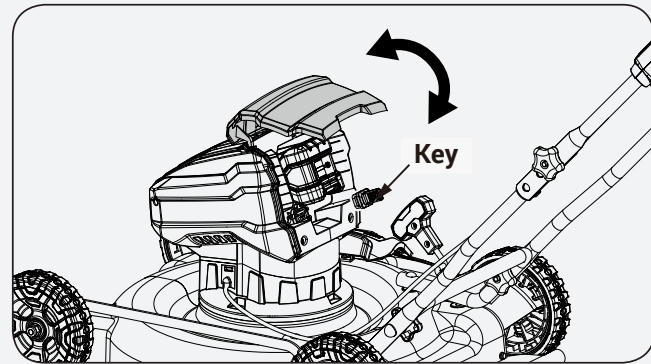


Figure 8

2. Install the battery pack. See the instruction in Assembly section Page 12.
3. Insert the switch key into the slot beside the battery port. (See **Figure 8**)

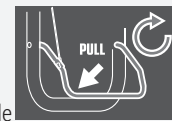
4. Close the battery door.
5. Press and hold the safety start button



6. While continuing to hold the start button



, pull the start/stop bail lever against the handle



release the start button



🏷 NOTE *When encountering dense grass and the cutting blade is rotating, press the "TURBO" button once to rotate the cutting blade to the highest speed, and then press again to release it.*

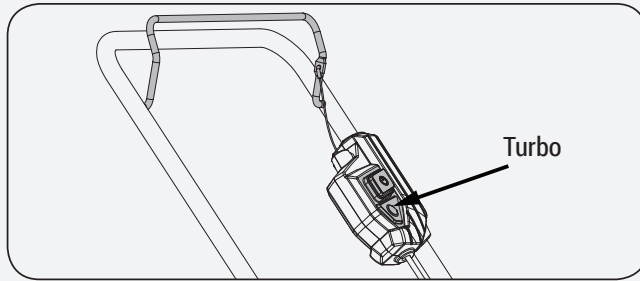
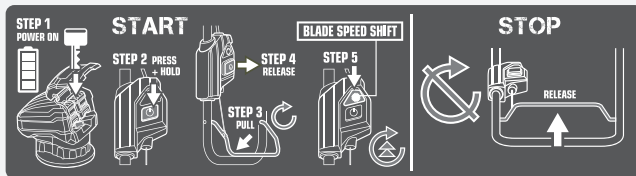


Figure 9



7. To stop the mower, release the start/stop bail lever



BASIC CUTTING PROCEDURE

- Always cut with a sharp blade for the best results. A blade that is not sharp cuts unevenly and lets the grass become yellow on the surface of the cut.
- Do not cut more than 1/3 of the length of the grass. This especially applies during dry periods. Cut first with the cutting height set high. Then examine the result and lower to an applicable height. If the grass is too long, operate slowly and cut two times if necessary.
- For very heavy cutting, decrease the width of the cut by making an overlap of the cut path and cutting slowly.
- Cut in different directions each time to prevent stripes in the lawn.
- The side discharging mode of your product is the best cutting mode. If you try to cut a large quantity of grass and the product does not operate correctly, or has decreased operation time, change the product to side discharging mode for better performance and operation time.

USING AS MULCHER

For mulching grass, remove the side discharge chute from the mower. When you remove the side discharge chute, the mulch cover will close. For effective mulching, do not cut wet grass. Mulching is not recommended for grass higher than 4 inches.

SIDE DISCHARGE MODE

Open the mulch cover and install the side discharge deflector. (See **Figure 10**)

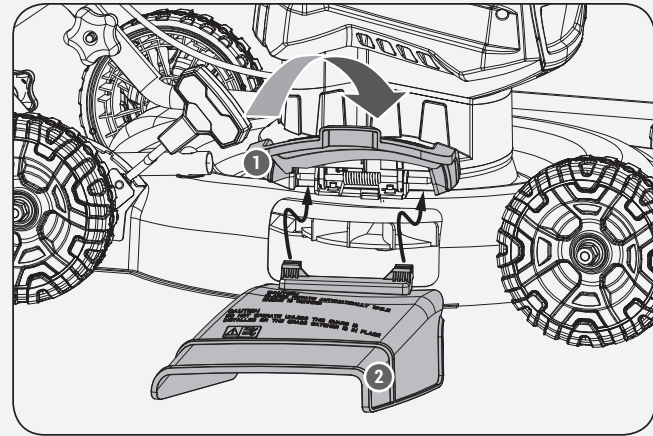


Figure 10

STOPPING THE MACHINE

Release the start/stop bail control lever to stop the blade. (See **Figure 11**)

! WARNING Wait for the blade to stop completely before performing any work on the mower.

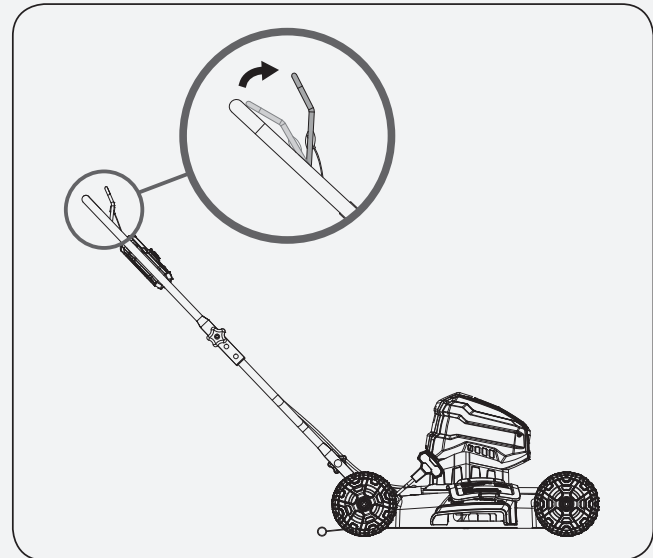


Figure 11

CHARGING THE BATTERY

! WARNING Read the ENTIRE IMPORTANT SAFETY INFORMATION section at the beginning of this manual including all text under subheadings therein before set up charging the battery.

CAUTION

The battery pack is not fully charged when you purchase it. Before using the machine for the first time, place the battery pack in the charger and charge it until the LED display indicates the battery pack is fully charged.

1. Place the Battery Pack and Charger on a dry fireproof surface in a room where the temperature is from 43°F-122°F.

CAUTION

If recharging a newly spent Battery Pack, allow it to cool completely before charging.

2. Examine the Battery Pack. It must be undamaged. Do not charge a cracked, open, or leaking Battery Pack, or charge a non-recommended type of Battery Pack. (Only works with a FULL BOAR Li-Ion 80 V Battery Pack.)
3. The Full Boar Battery Pack's terminals are designed to fit the adapted Full Boar Charger specifically. If the Battery Pack does not fit the Charger properly, do not try to insert it or force it. Look for the appropriate battery charger.
4. Plug the Charger directly into a grounded, 120VAC, 60Hz receptacle. The Indicator will flash green every 5 seconds when the charger is ready to charge a Battery Pack.
5. Slide the Battery Pack into the Charger. The Indicator will blink green while the Battery Pack is charging.

CAUTION

If the Indicator shows the alternating red and green flashing instead, the Battery Pack is not charging properly. Make sure connections are clean and tight, and that Battery Pack and Charger are both at proper charging temperature. If the indicator still blinks red and green alternating, the Battery Pack may be worn out or internally damaged.

To check if any damage.

1. Remove the Battery Pack from the Charger. Unplug the Charger to reset it.
2. After one minute, plug the Charger back into the receptacle. Then, slide the Battery Pack into the Charger.
3. If the indicator flashes red/green again, the Battery Pack is defective, remove it from the Charger. Do not leave a worn out or internally damaged Battery Pack in the Charger.

NOTE

If the Indicator blinks only red the Battery Pack and/or Charger are at an incorrect charging temperature. Charging room temperature: 43°F-122°F. Make sure that both Charger

and Battery Pack are at the correct charging temperature. Allow sufficient time for both of them to cool off or warm up as needed.

6. While charging, the Battery Pack and Charger may become warm to the touch. This is normal and does not indicate a problem.
7. The Indicator will light up constant green when the Battery Pack is charged.
8. Allow the Battery Pack to cool completely before using it.
9. Unplug the Charger when not in use.

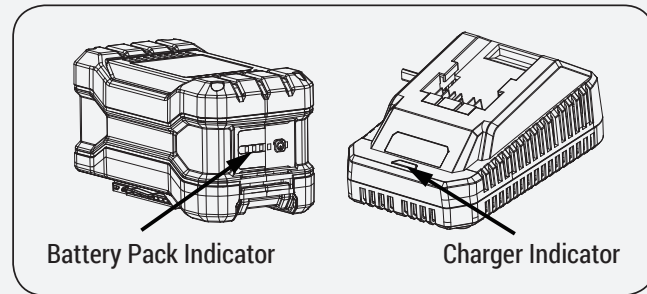


Figure 12

Charger Indicator

Light Indicator Definition	
Indicator Light	Definition
Solid Red	No battery pack is inserted
Green Blinking	Battery pack is charging
Green	Battery pack is charged
Red Blinking	Battery pack and/or battery charger is over or under the appropriate temperature range 43°F-122°F
Red-Green Blinking	Battery pack charging fault. See Troubleshooting page 22 for more information

Specification of Charger		
Charger Model#	LC8022	LC8050
	Included in Model M2025P1, Not included in Model M2025P0	Sold separately
Input Rating	120VAC / 60Hz / 2A MAX	120VAC / 60Hz / 2A MAX
Output Rating	42V / 2.2A	42V / 5A
Compatible Battery Type	LB8025 (Included in Model M2025P1, Not included in Model M2025P0), LB4020 (Sold separately)	
Operating Temperature	43°F-122°F	

Battery Pack Indicator

Light Indicator Definition						
	Voltage range	LED 1	LED 2	LED 3	LED 4	
Discharge Indication	~3.60	ON	OFF	OFF	OFF	Press the switch or turn it on and it will light up. Release the switch for 3 seconds and it will turn off
	3.60~3.75	ON	ON	OFF	OFF	
	3.75~3.90	ON	ON	ON	OFF	
	3.90~	ON	ON	ON	ON	
Charge Indication	~3.60	Blink	Blink	Blink	Blink	Flashing frequency 1HZ, flowing light, Flashing mode (Green light)
	3.60~3.80	ON	Blink	Blink	Blink	
	3.80~4.00	ON	ON	Blink	Blink	
	4.00~Full	ON	ON	ON	Blink	
	Full	ON	ON	ON	ON	
Charging High and Low Temperature Alarm	LED1 flashing, frequency 1HZ					
Battery Pack Abnormal Damage Alarm	LED1, LED2, LED3, and LED4 flash 5 times simultaneously to turn off					
Sleep Function	The protective board should be left in a non-discharging and non-charging state for 3 minutes to enter sleep mode.					

MAINTENANCE

CLEAN THE MOWER

Clean underside of the mower deck after each use to prevent build-up of grass clippings or other debris.

! WARNING Before performing any cleaning on the lawn mower, remove the switch key and battery pack.

! WARNING To reduce the risk of electric shock, do not expose the mower to water. Remove any buildup of grass and leaves on or around the motor cover (do not use water). Wipe the mower clean with a dry cloth occasionally. Do not use water or liquid detergents. Whenever possible, always clean the unit directly after mowing. After mowing, always clean the lawnmower with a hand brush. Remove grass residues carefully out of the cutting area. Remove stuck clipping deposits using a stiff brush. Keep the ventilation slots clean and dust-free. Remove the grass catcher from the machine. Cleaning the Grass Catcher For thorough cleaning, the grass catcher can be cleaned with a hose.

MAINTENANCE SCHEDULE

In the maintenance schedule you can see which parts of your machine require maintenance, and at which intervals it should take place. The intervals are calculated based on average use of the machine, and may differ depending on the rate of your personal use.

! WARNING Before performing any maintenance on the lawn mower, remove the switch key and battery pack.

GENERAL RECOMMENDATIONS

- Always observe safety rules when performing any maintenance.
- The warranty on this lawn mower does not cover items that have been subjected to operator abuse or negligence. To receive full value from warranty, operator must maintain the lawn mower as instructed here.
- All adjustments should be checked at least once each season.
- Periodically check all fasteners and make sure these are tight.

LUBRICATION

1. Lubricate pivot points on the blade and drive controls at least once a season with light oil. These controls must operate freely in both directions. (See **Figure 13**)

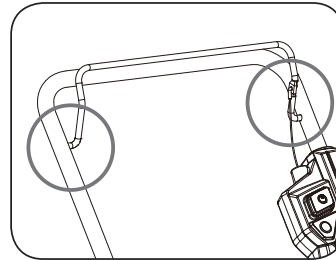


Figure 13

2. The transmission is pre-lubricated and sealed at the factory and does not require lubrication.

BLADE CARE

! WARNING Always stop the machine and remove the battery, make sure that the blade is fully stopped before do work on blade.

! WARNING The blade is sharp; contact with the blade can result in serious personal injury. Wear gloves when servicing the blade.

1. Examine the blade the batteries are removed and blade is fully stopped. If the blade is damaged or cracked, replace it immediately. If the blade edge is dull or nicked, have it sharpened and balanced, or replace it.

! NOTE You will need a torque wrench to install the blade properly.

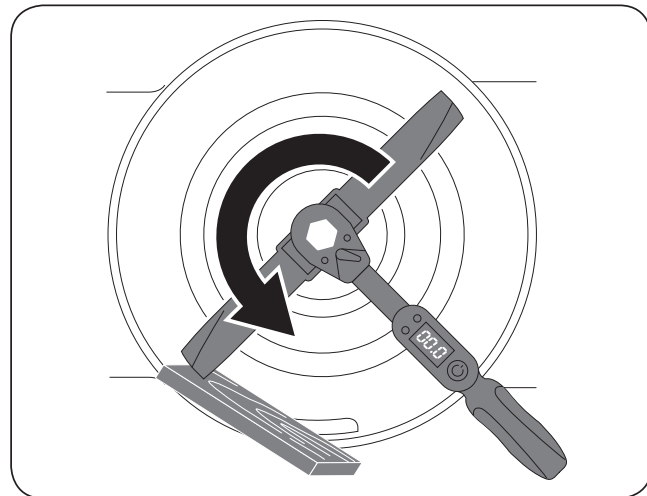


Figure 14

3. Remove the blade, saving all mounting hardware. Examine the blade support and blade bolt to see if there is damage. Examine the motor shaft to make sure that it is not bent. (See **Figure 15**)

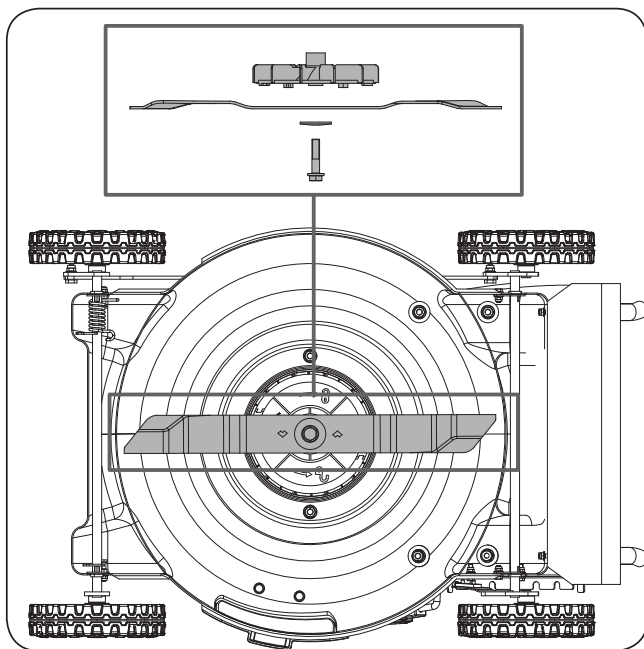


Figure 15

CAUTION Use only a replacement blade approved by the manufacturer of your mower. Using a blade not approved by the manufacturer of your mower is hazardous, could damage your mower and void your warranty.

WARNING Position the curved ends of the blade to point toward the machine housing.

4. Install the new blade. Use a block of wood between the blade and lawn mower housing and tighten the blade bolt, turning clockwise. The recommended tightening torque is 25.8-29.5 ft.-lb. (35-40 Nm). (See Figure 16)

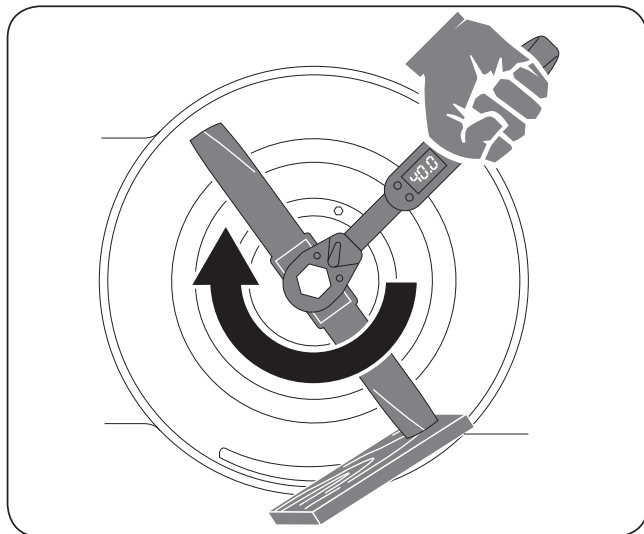


Figure 16

CAUTION To ensure safe operation of your mower, periodically check the blade bolt for correct torque.

NOTE Blade bolt is heat treated. If bolt needs replacing, replace only with approved bolt.

BATTERY CHARGING

Insert the battery into the charging dock for charging. (See Figure 17)

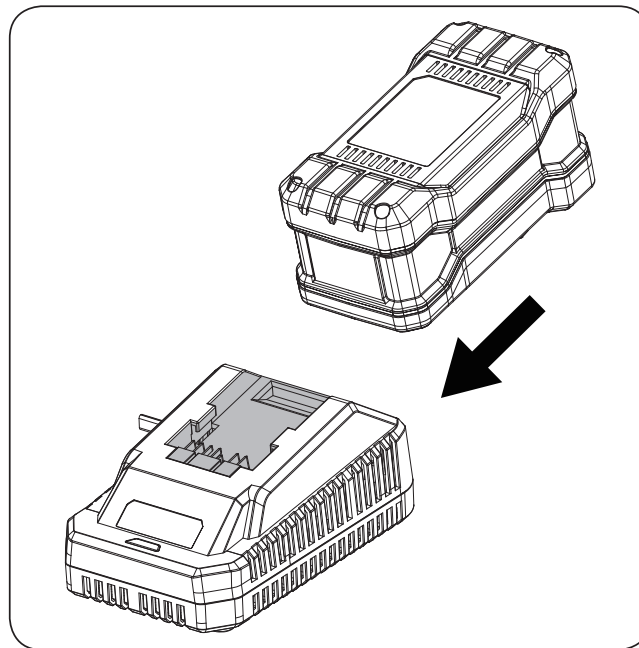


Figure 17

NOTE If you need fast charging, please purchase a dual seat charger Model LC8050, which is sold separately.

TRANSPORT AND STORAGE

⚠ WARNING Before transporting and storage, remove the switch key and battery pack.

The following steps should be taken to prepare your lawn mower for storage.

Keep all equipment safe during transportation to prevent damage and accidents.

For storage, keep equipment in a lockable area away from children and persons that are not approved. Do not store next to corrosive materials, such as fertilizer.

For storage, keep the product and equipment in a dry and frost-proof area.

When loading or moving the product, do not go more than the maximum recommended operation angle of 15 degrees.

Clean the product.

Tighten bolts and nuts.

Replace or repair damaged components.

Touch up all rusted or damaged paint surfaces. Sand lightly before painting.

Use the correct protective cover on the product to keep it dry. Do not use plastic because it lets condensation collect and causes corrosion on the product.

🏷 NOTE Clean and lubricate mower thoroughly as described in Maintenance section.

🏷 NOTE Apply a coat of chassis grease to mower's cutting blade to prevent rusting.

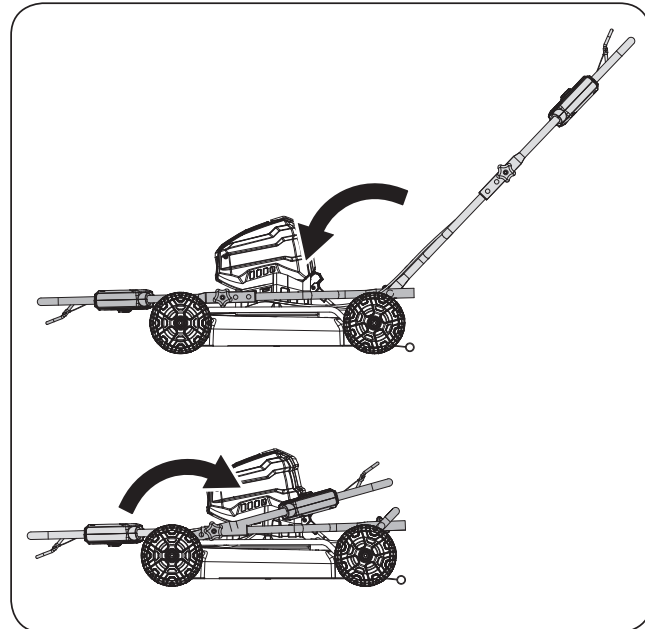
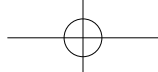


Figure 18

⚠ WARNING Folding or unfolding the handle improperly can damage the cables, causing an unsafe operating condition.

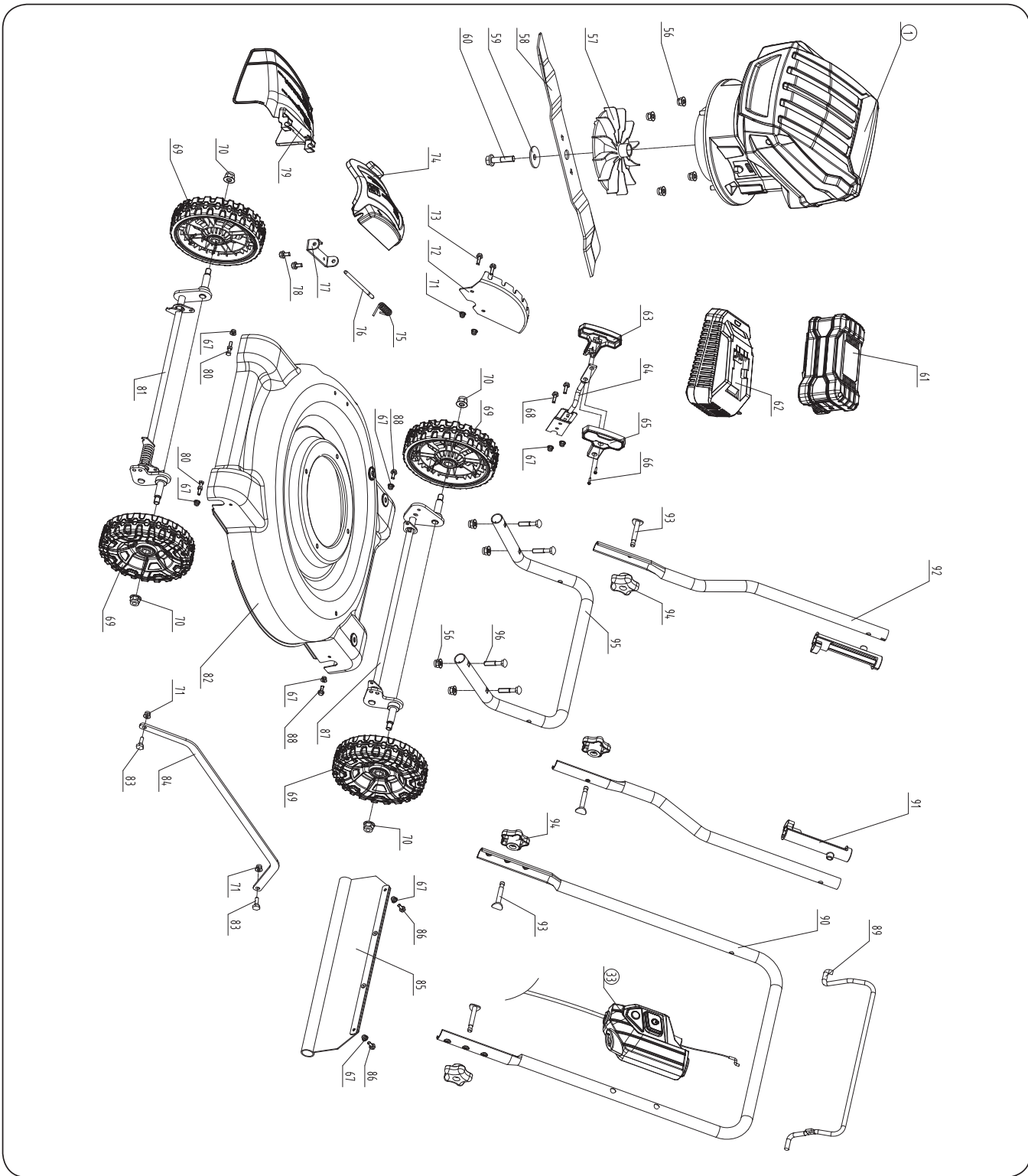
TROUBLESHOOTING

Problem	Cause	Remedy
The machine does not start.	<ol style="list-style-type: none"> 1. The battery is not fully installed in the machine. 2. The battery pack is not charged. 3. The battery pack is damaged. 4. There is another electrical problem with the machine. 5. The switch is defective. 6. Grass jammed on blade. 7. The battery is not inserted all the way in the mower. 	<ol style="list-style-type: none"> 1. Remove and then replace the battery into the machine, making sure that it is fully installed and latched. 2. Remove the battery pack from the machine and charge it. 3. Replace the battery pack. 4. Contact an Authorized Service Dealer. 5. Replace the switch. 6. Remove battery; check under deck for jams. 7. Insert the battery until it clicks.
The machine does not reach full power.	<ol style="list-style-type: none"> 1. The battery pack charge capacity is too low. 2. The air vents are block. 	<ol style="list-style-type: none"> 1. Remove the battery pack from the machine and fully charge the battery pack. 2. Clean the air vents.
The battery pack loses charge quickly.	The battery pack is over or under the appropriate temperature range.	Move the battery pack to a place where it is dry and the temperature is between 6°C (43°F) and 50°C (122°F).
The battery charger is not working.	<ol style="list-style-type: none"> 1. The battery charger is over or under the appropriate temperature range. 2. The outlet that the battery charger is plugged into does not have power. 	<ol style="list-style-type: none"> 1. Unplug the battery charger and move it to a place where it is dry and the temperature is between 6°C (43°F) and 50°C (122°F). 2. Contact your licensed electrician to repair the outlet.
The LED indicator light on the battery charger blinks red.	The battery charger and/or battery pack is over or under the appropriate temperature range.	Unplug the battery charger and move the battery charger and battery pack to a place where it is dry and the temperature is between 6°C (43°F) and 50°C (122°F).
The LED indicator light on the battery charger is blinking red and green alternately.	<ol style="list-style-type: none"> 1. There is an error in the communication between the battery pack and the charger. 2. The battery pack is weak. 	<ol style="list-style-type: none"> 1. Remove the battery pack from the battery charger, unplug the battery charger from the outlet, and wait 10 seconds. Plug the battery charger into the outlet again and place the battery pack on the battery charger. If the LED indicator light on the battery charger is still blinking red/green alternately, repeat this procedure again. If the LED indicator light on the battery charger is still blinking red/green alternately after 2 attempts, properly dispose of the battery pack at a battery recycling facility. 2. Properly dispose of the battery pack at a battery recycling facility.



Problem	Cause	Remedy
It is difficult to remove the battery pack from the tool.	The battery pack/tool is new or there is corrosion in the battery terminals and/or the terminals on the tool.	Clean the terminals on the battery and the tool. Then apply dielectric grease to the battery terminals; do not use any other type of lubricant as it can damage the terminals.
The machine does not run continuously.	<ol style="list-style-type: none">1. There is moisture on the leads of the battery pack.2. The battery is not fully installed into the tool.	<ol style="list-style-type: none">1. Allow the battery pack to dry or wipe it dry.2. Remove and then replace the battery into the tool making sure that it is fully installed and latched.
Excessive vibration	<ol style="list-style-type: none">1. Cutting blade loose or unbalanced.2. Bent cutting blade.	<ol style="list-style-type: none">1. Tighten blade and adapter. Balance blade.2. Replace blade.
Mower will not mulch grass	<ol style="list-style-type: none">1. Wet grass.2. Excessively high grass.3. Dull blade.	<ol style="list-style-type: none">1. Do not mow when grass is wet; wait until dry to cut.2. Mow once at a high cutting height, then mow again at desired height or make a narrower cutting path.3. Sharpen or replace blade.
Uneven cut	<ol style="list-style-type: none">1. Buildup of grass, leaves and debris under mower.2. Dull blade.	<ol style="list-style-type: none">1. Clean underside of mower housing.2. Sharpen or replace blade.
The mower is hard to push.	The grass is too tall, or the cutting height is too low.	Raise the cutting height

PARTS DIAGRAM



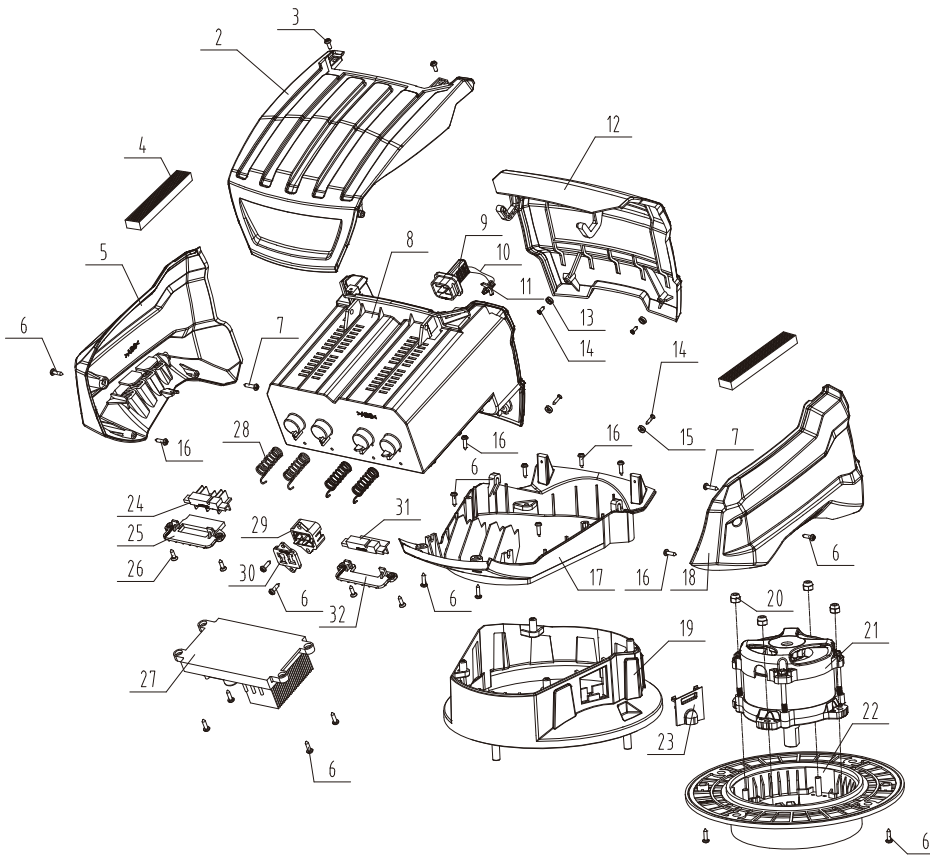
NOTE

There are no Part#62 Charger and Part#61 Battery (1pcs) in Model No. M2025P0.



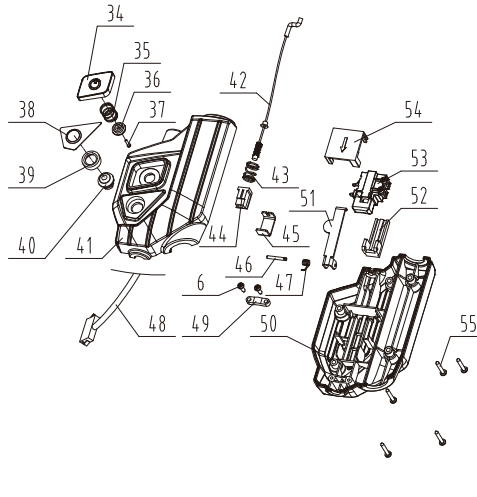
1

1 POWER HEAD



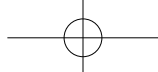
33

33 START CONTROL ASSEMBLY




PARTS LIST

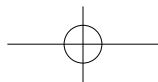
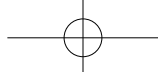
No.	Description	Qty	No.	Description	Qty
1	Power Head Assembly	1	33	Start Control Assembly	1
2	Top Cover	1	34	Start Switch Button	1
3	Screw ST3.5x9.5	2	35	Start Switch Button Compression Spring	1
4	Sponge	2	36	Start Switch Button Indenter	1
5	Side Plate- Right	1	37	Screw ST2.2x13	1
6	Screw ST3.5x13	18	38	Start Switch Sticker	1
7	Screw ST3.5x16	2	39	Compression Sleeve	1
8	Battery Compartment	1	40	Start Switch Solder Weldment	1
9	Key	1	41	Start Control Box- Upper Cover	1
10	Keychain Lanyard	1	42	Switch Cable	1
11	Keychain Buckle	1	43	Switch Retract Spring	1
12	Battery Door	1	44	Cable Stopper	1
13	Magnet (N)	2	45	Switch Pull Plate	1
14	Small Countersunk Self-tapping Screw M3.5x12	4	46	Switch Push-down Plate Rotating Shaft	1
15	Magnet (S)	2	47	Switch Push-down Plate Torsion Spring	1
16	Self-tapping Screws with Cross Pan Head M3.5x12	4	48	Master Wire	1
17	Power Head Jaw	1	49	Wire Fixing Plate	1
18	Side Plate- Left	1	50	Start Control Box- Bottom Cover	1
19	Power Head Seat	1	51	Switch Push-down Plate	1
20	Nut M6	4	52	Sliding Block	1
21	Motor	1	53	Switch	1
22	Motor Assembling Base	1	54	Switch Guard Cover	1
23	Threading Plate	1	55	Screw ST3.5x25	5
24	Battery Socket Solder Weldment	1	56	Nut M8	8
25	Socket Support Plate	1	57	Motor Fan	1
26	Screw ST3.5x13	4	58	19in. Replacement Blade	1
27	Motor Circuit Board Controller	1	59	Spring Washer for Blade	1
28	Battery Compression Spring	4	60	Screw 3/8-24UNF*45	1
29	Switch Socket	1	61	Battery Pack	1
30	Socket Fixing Plate	1	62	Charger	1
31	Battery Compartment Blockage Board	1	63	Lower Handle Box	1
32	Socket Support Plate II	1	64	Height Adjustment Handlebar	1

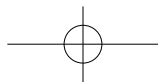
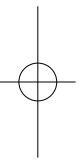
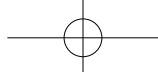


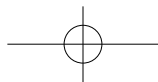
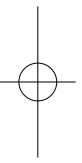
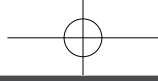
No.	Description	Qty
65	Upper Handle Box	1
66	Cross Recessed Tapping Screw ST2.9x12	2
67	Nut M5	8
68	Screw M5x16	2
69	7in. Wheel Assy.	4
70	Nut M10	4
71	Nut M6	4
72	Height Adjustment Positioning Plate	1
73	Screw M6x16	2
74	Mulching Side Cover	1
75	Torsion Spring	1
76	Mulching Side Cover Rotating Shaft	1
77	Mulching Side Cover Mounting Plate	1
78	Screw M6x12	2
79	Side Discharge Chute	1
80	Groove Bolt	2
81	Front Wheel Axle	1
82	Cutting Deck	1

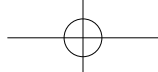
No.	Description	Qty
83	Positioning Bolt	2
84	Height Adjustment Connecting Rod	1
85	Shield-Trailing	1
86	Screw M5x16	2
87	Rear Wheel Axle	1
88	Screw M5x12	2
89	Start/Stop Bail Lever	1
90	Upper Handle	1
91	Insulating Sleeve	2
92	Lower Handle	2
93	Curved round head bolt M8x55	4
94	Wing Knob	4
95	Handle Bracket Pipe	1
96	Half Round Head Square Neck Bolt M8x40	4

 **NOTE** *There are no Part#62 Charger and Part#61 Battery (1pcs) in Model No. M2025P0.*









gofullboar.com



GO FULL BOAR™

