

Installation Instructions

LT13, LT16, LT18

Line Trimmer Racks

for Open Utility Landscape Trailers

BEFORE YOU BEGIN INSTALLING:

1. Read and understand these instructions completely.
2. Verify that you have received all the parts listed in the bill of materials for your model number.

Tools Required:

- (2) 9/16" Wrenches and/or Sockets
- Electric Drill
- (1) 3/8" Drill Bit
- Tape Measure



CAUTION

Always wear safety glasses when using power tools.

INSTALLATION

1. Determine the mounting position for the trimmer rack uprights on the trailer rail. The uprights should be about 36" apart. The handle of the line trimmer should be located in one of the upright channels. *Note: If bent shaft trimmers are used, the uprights need to be mounted closer together than if straight shaft trimmers are used.*
2. After determining the position of the uprights, mark the centers of the two holes in each upright mounting plate on the upper trailer rail.



WARNING

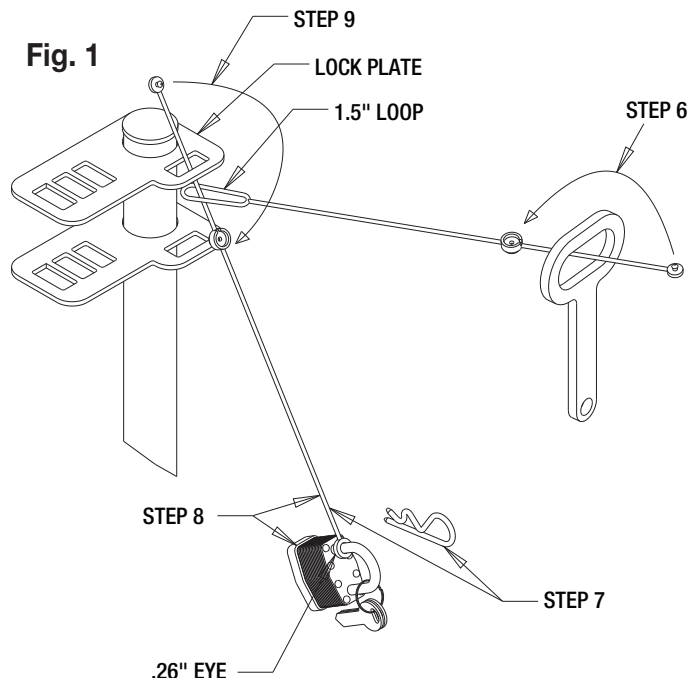
Check for locations of brake lines and electrical wiring etc., before drilling any holes. Any damage to trailer during installation is installer's full responsibility.

3. Use a 3/8" drill bit to drill four holes in your trailer rail as marked.
4. Assemble the uprights to the trailer with four 3/8-16 x 1-1/4" cap screws, eight 3/8" flat washers and four 3/8-16 nylock nuts.

For steps 5-9 refer to Figure 1.

5. Attach a lanyard with the 1.5" loop to the each of the lock pin handles by folding the end of the lanyard over and snapping it together.
6. Attach the hair pin cotters to the lanyards by inserting the pins into the lanyard .26" eye.
7. Attach the locks to the lanyards by inserting the lock bolt into the .26" lanyard eye.

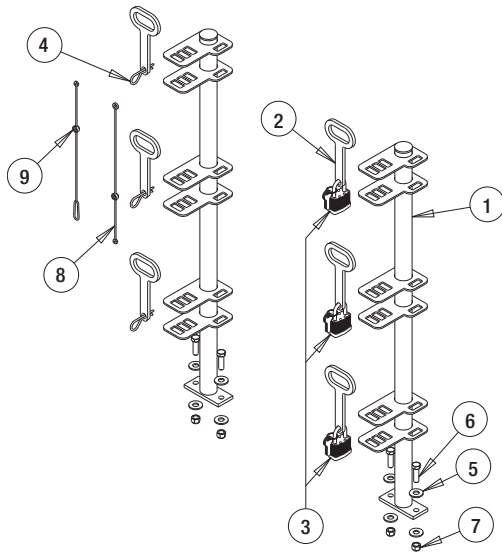
8. Select one upright to be the locking upright and assemble the lock pins and locks as follows:
 - A. Insert the end of the lock lanyard through the 1.5" loop of the lock pin lanyard and through the rectangular hole in the side of the lock plate.
 - B. Snap closed the lock lanyard around both the lock plate and the 1.5" loop of the lock pin lanyard.
9. Assemble the remaining lock pins and the hair pin cotters to the other upright as follows:
 - A. Insert the end of the hair pin lanyard through the 1.5" loop of the lock pin lanyard and through the rectangular hole in the side of the lock plate.
 - B. Snap closed the hair pin lanyard around both the lock plate and the 1.5" loop of the lock pin lanyard.



Warranty

Buyers Products Co. warrants all truck/trailer hardware manufactured or distributed by it, to be free from defects in material and workmanship for a period of one year from date of shipment. Parts must be properly installed and used under normal conditions. Any product which has been altered, including modification, misuse, accident or lack of maintenance will not be considered under warranty. Normal wear is excluded. The sole responsibility of Buyers Products Co. under this warranty is limited to repairing or replacing any part or parts which are returned, prepaid, and are found to be defective by Buyers Products Co. Authorization from Buyers Products Co. must be obtained before returning any part. No charges for transportation or labor performed on Buyers' products will be allowed under this warranty.

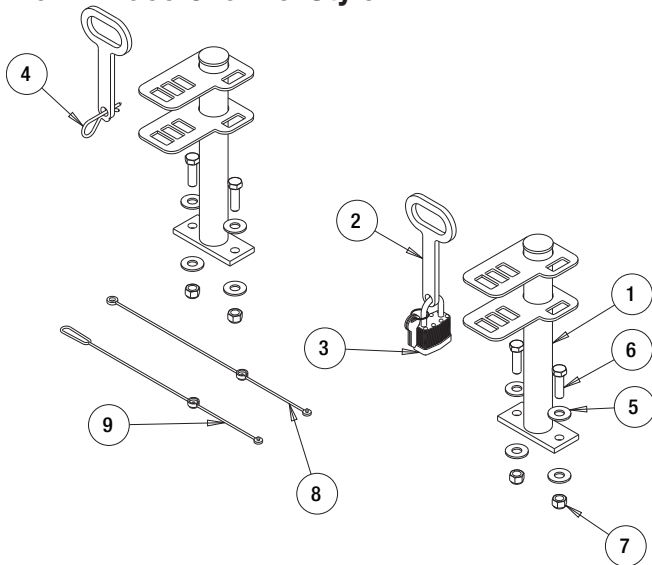
LT13 - 3 Place Channel Style



Bill of Materials

ITEM	PART NO.	QTY.	DESCRIPTION
1	3006287	2	Upright, Trimmer Rack
2	3006160	6	Lock Pin, Trimmer Rack
3	3006320	1	Lock Kit, Three 1-1/2" Locks keyed alike
4	-	3	Pin, Hair Cotter
5	-	8	Washer, Flat 3/8" USS Zinc
6	-	4	Screw, HHC 3/8-16 x 1-1/4 Gr 5 Zinc
7	-	4	Nut, Nylock 3/8-16 x 7/16 Zinc
8	3006439	7	Lanyard, Nylon, 10" w/.26" Eye
9	3006438	7	Lanyard, Nylon, 10" w/1-1/2" Loop

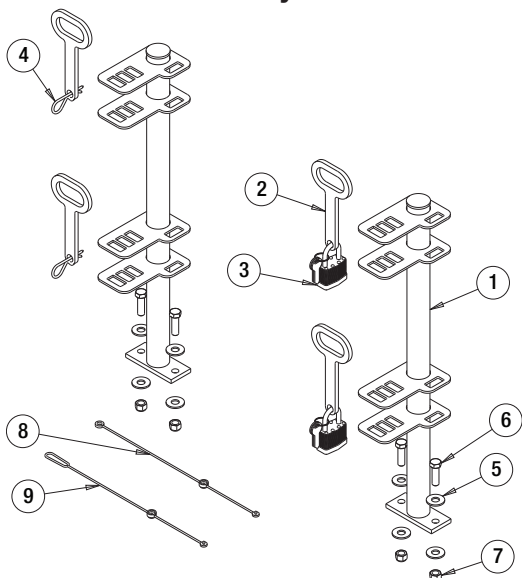
LT16 - 1 Place Channel Style



Bill of Materials

ITEM	PART NO.	QTY.	DESCRIPTION
1	3045162	2	Upright, Trimmer Rack
2	3006160	2	Lock Pin, Trimmer Rack
3	3045164	1	Lock Kit, One 1-1/2" Locks
4	-	1	Pin, Hair Cotter
5	-	8	Washer, Flat 3/8" USS Zinc
6	-	4	Screw, HHC 3/8-16 x 1-1/4 Gr 5 Zinc
7	-	4	Nut, Nylock 3/8-16 x 7/16 Zinc
8	3006439	3	Lanyard, Nylon, 10" w/.26" Eye
9	3006438	3	Lanyard, Nylon, 10" w/1-1/2" Loop

LT18 - 2 Place Channel Style



Bill of Materials

ITEM	PART NO.	QTY.	DESCRIPTION
1	3045146	2	Upright, Trimmer Rack
2	3006160	4	Lock Pin, Trimmer Rack
3	3045148	1	Lock Kit, Two 1-1/2" Locks keyed alike
4	-	2	Pin, Hair Cotter
5	-	8	Washer, Flat 3/8" USS Zinc
6	-	4	Screw, HHC 3/8-16 x 1-1/4 Gr 5 Zinc
7	-	4	Nut, Nylock 3/8-16 x 7/16 Zinc
8	3006439	5	Lanyard, Nylon, 10" w/.26" Eye
9	3006438	5	Lanyard, Nylon, 10" w/1-1/2" Loop