

Installation Instructions

For KabGard™ accessories see pages 3-4

KabGard™

Part No. 85104 (69" x 23.5")

Fits full-size pickup trucks with cab heights of 24" above bed.

Ford:

F-150, 1997-Present
 F250/350 Super Duty Reg. Cab, 1997-99

Chevy/GMC:

1500/2500 Reg. Cab, Ext. Cab & Crew Cab, 1999+

Dodge Ram:

RAM 1500, 2019+
 1500 Reg. Cab, 1997-2001
 1500 Quad Cab, 1997-2000
 1500 Quad Cab, (155" wheel base only) 2001
 2500 Reg. Cab, 1997-2001

Part No. 85204 (71.6" x 26.3")

Fits full-size pickup trucks with cab heights of 26" above bed.

Ford:

F-250 Super Duty Reg. Cab, Super Cab & Crew Cab, 2003-Present
 F-350 Super Duty Reg. Cab, Super Cab & Crew Cab, 2003-Present

Chevy/GMC:

2500HD all cab styles, 2003-present
 3500 all cab styles, 2003-present

Dodge Ram:

1500 Quad Cab, 2001-2018
 2500 Reg. Cab, 2002-present
 3500 Reg. Cab & Quad Cab, 2003-present
 Mega Cab, 2006

IMPORTANT: Prior to installation, check owner's manual or contact your truck manufacturer for all necessary pickup box reinforcement kits. Always install recommended kits prior to window protector installation. Failure to follow this procedure may void truck's warranty. Never exceed recommended maximum combined weight of equipment and cargo, recommended by truck's manufacturer. Place installation instructions and warranty information in vehicle glove box after installation.



CAUTION

- Park your vehicle on flat, horizontal surface. Apply parking brake or use wheel chocks to prevent accidental rolling.
- To keep debris out of your eyes always wear protective eyewear.
- Tighten screws and nuts only when it is recommended by these instructions.
- Check contents of box against part list to ensure all components are included

Tools Required

- 3/4" Open or Socket Wrench (2)
- Electric Drill
- 3/4" Drill Bit

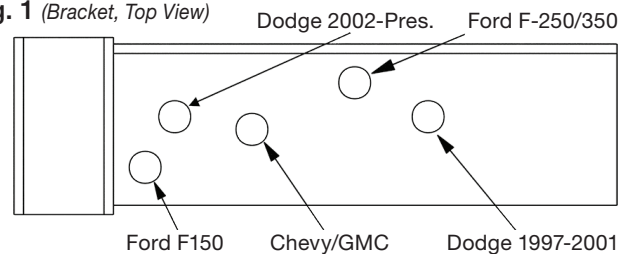


shown with accessories installed

INSTALLATION

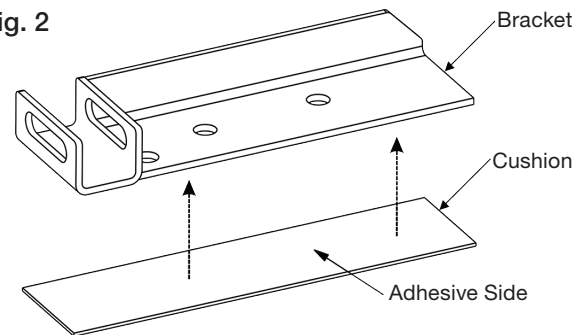
1. Determine which hole on the bracket should be used. Mark the appropriate hole for your vehicle on both brackets. See Fig. 1

Fig. 1 (Bracket, Top View)



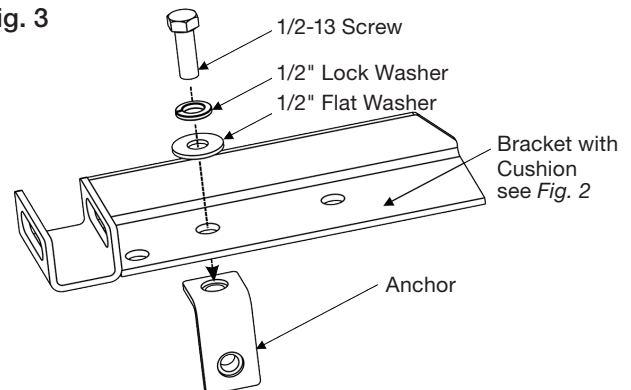
2. Apply adhesive cushions to brackets. Punch holes in adhesive cushions to align with the marked holes in the bracket. See Fig. 2

Fig. 2



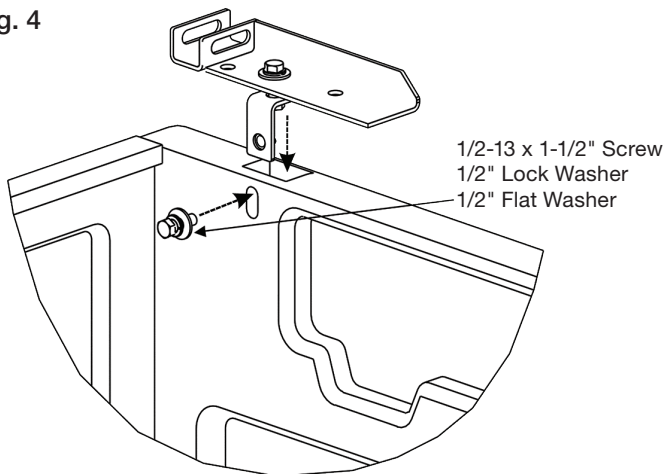
3. Attach anchors to brackets using 1/2-13 x 4" fully threaded screws. Do not tighten screws. Make only 3-5 turns into anchor's short side nut. See Fig. 3

Fig. 3



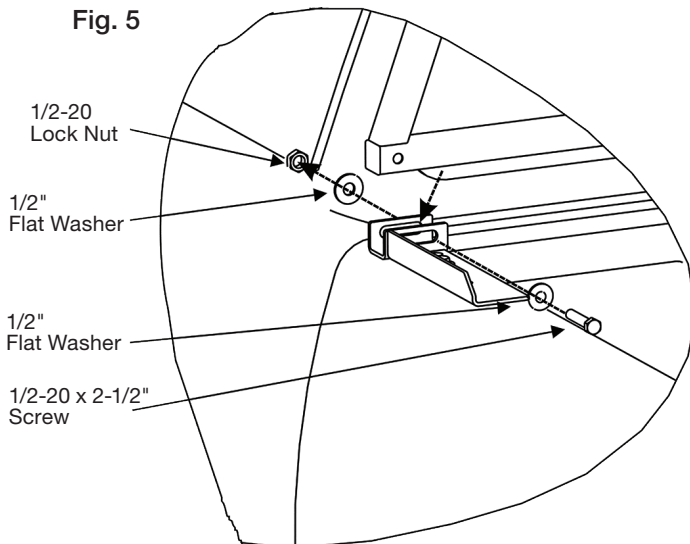
4. If side rail covers are installed, remove protective caps from the front stake pockets or cut openings in the rail covers to expose the front stake pockets. If present, drill holes in bedliner walls to open access to front stake pocket side holes. Many models of bedliners have a small mark on a wall against front stake pocket. Use it to drill necessary holes. Insert anchors into stake pockets. Make sure that the anchors' long sides are facing inside the bed. Align holes in anchors with stake pocket openings and install hardware loosely from inside of the bed. For aluminum body trucks, apply vinyl tape to the steel washers and anchors to protect from premature corrosion. Apply only to surfaces touching the aluminum. See Fig. 4.

Fig. 4

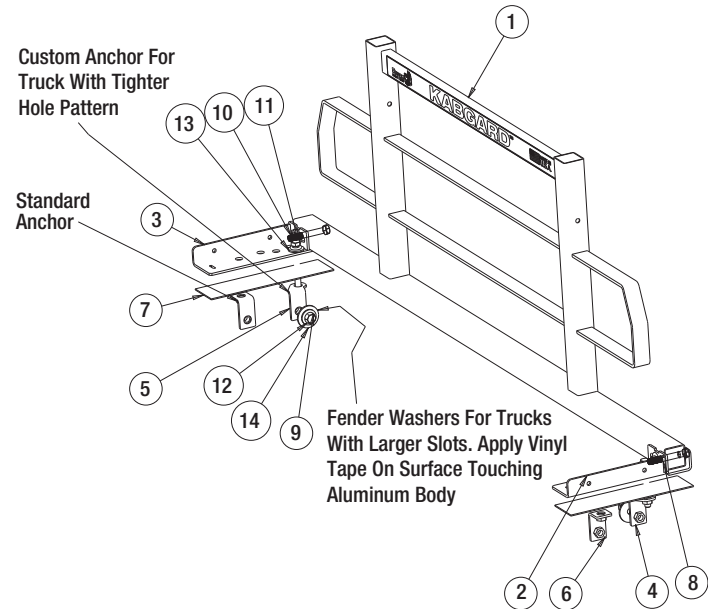


5. Position the Window Protector on the front wall of the truck box. Slide the sides of Window Protector in the "U" shaped guides of the brackets. Align the brackets' slots with holes in the Window Protector and insert 1/2-20 x 2-1/2" screws. Install lock nuts. Position the Window Protector symmetrically on the vehicle. Tighten lock nuts evenly on both sides to 60-70 foot-pounds. Tighten screws on brackets until the lock washers are flattened plus 1 - 1-1/2 turns. Overtightening these screws can result in damage to truck's sheet metal. See Fig. 5

Fig. 5



KabGard with Mount Kit



Bill of Materials

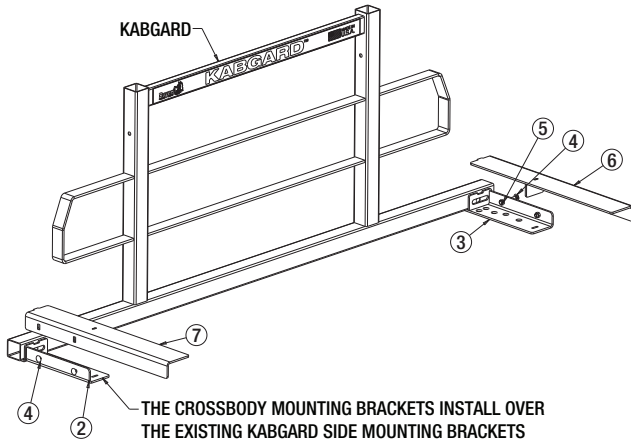
ITEM	PART NO.	QTY.	DESCRIPTION
1	3023311	1	KABGARD, WELDMENT, FORD STYLE
	3024357		KABGARD, WELDMENT, GM STYLE
2	3026704	1	BRACKET PS SIDE, WELD ASSY
3	3026703	1	BRACKET DS SIDE, WELD ASSY
4	3024035	1	ANCHOR ASSY, OFFSET RIGHT
5	3024036	1	ANCHOR ASSY, OFFSET LEFT
6	3002723	2	ANCHOR ASSY
7	3003250	2	CUSHION SELF-ADHESIVE
8	FCS050020350	2	SCREW, HEX HD CAP 1/2-20 X 3.5 GR .5, ZN
9	FCS050013150	2	SCREW, HEX HD CAP 1/2-13 X 1.5 GR .5, ZN
10	0150700	2	NUT, CENTER LOCK JAM 1/2-20 GR A, ZN
11	3026019	2	SCREW, HHC 1/2-13 X 4.00 FULL THREAD GR 5, ZN
12	FWL50088013	4	WASHER, LOCK - 1/2 SPLIT, ZN
13	FWF050138014	8	WASHER, FLAT, 1/2" USS, ZN
14	3024340	2	WASHER, CUSTOM, 1.998 OD X 0.530 ID X 0.131 THI

KabGard™ Accessory Installation

85162 Crossbody Truck Box Mount

To be used in conjunction with truck boxes up to 20" wide.

1. Place bracket on the top of the existing mounting brackets.
2. Slide the bracket into existing slots and align the bolt through 2 existing square holes.
3. Secure the bracket with two bolt and nuts. Deep socket and extension wrench is recommended.

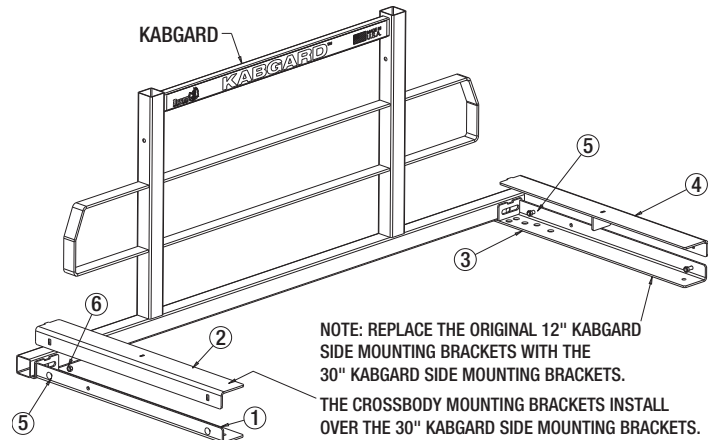


ITEM	PART NO.	QTY.	DESCRIPTION
2	3026703	1	CROSSBODY BRACKET, DRIVERS SIDE
3	3026704	1	KABGARD BRACKET, PASSENGER SIDE
4	3000547	4	BOLT, CARRIAGE, 5/16-18 X 1 GR 5 ZN
5	FNE031018034	4	NUT, NYLOCK 5/16-18 ZN
6	3026698	1	CROSSBODY BRACKET, PASSENGER SIDE
7	3026693	1	KABGARD BRACKET, DRIVERS SIDE

85164 Crossbody Truck Box Mount

To be used in conjunction with truck boxes up to 27" wide.

1. Place bracket on the top of the existing mounting brackets.
2. Slide the bracket into existing slots and align the bolt through 2 existing square holes.
3. Secure the bracket with two bolt and nuts. Deep socket and extension wrench is recommended.

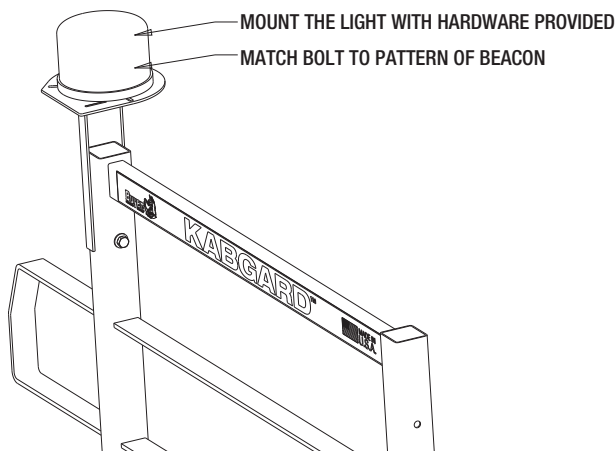


ITEM	PART NO.	QTY.	DESCRIPTION
1	3043811	1	KABGARD BRACKET, DRIVERS SIDE
2	3043807	1	CROSSBODY BRACKET, DRIVERS SIDE
3	3043812	1	KABGARD BRACKET, PASSENGER SIDE
4	3043808	1	CROSSBODY BRACKET, PASSENGER SIDE
5	3000547	4	BOLT, CARRIAGE, 5/16-18 X 1 GR 5 ZN
6	FNE031018034	4	NUT, NYLOCK 5/16-18 ZN

85141 & 85142 Beacon Light Mount(s)

Driver side and passenger side mounts sold separately.

1. Place bracket on the driver/passenger side accordingly.
2. Align the bolt and secure with washer and nut.
3. Secure the beacon by tightening the bolts and nuts firmly. Do not over torque.

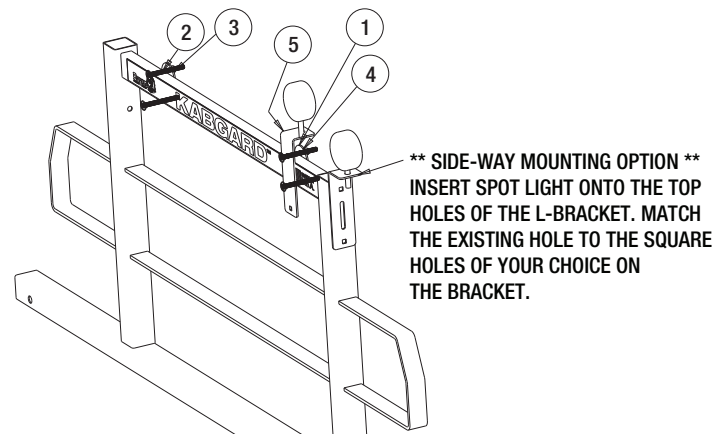


ITEM	PART NO.	QTY.	DESCRIPTION
2	3024834	1	PILLAR, LIGHT MOUNTING, PS
	3024835		PILLAR, LIGHT MOUNTING, DS
3	FCS038016300	1	SCREW, HHC 3/8-16 X 3, GR 5 ZN'
4	FWF038081006	2	WASHER, FLAT 3/8 SAE ZINC
5	FWL038069009	1	WASHER, LOCK RHS-3/8 ZN
6	FNH038016028	1	NUT, 3/8-16 HEX ZP

85166 Spot/Flood Light Mount

These are to be used when mounting with studs.

1. Place bracket on the top of the L-Bracket and secure it with bolt & nut.
2. Align the bolt through 2 existing holes on the bar bracket and through the clamping plate.
3. Secure the bracket with two nuts and bolts provided.
4. Secure the beacon by tightening the bolts and nuts firmly. Do not over torque.



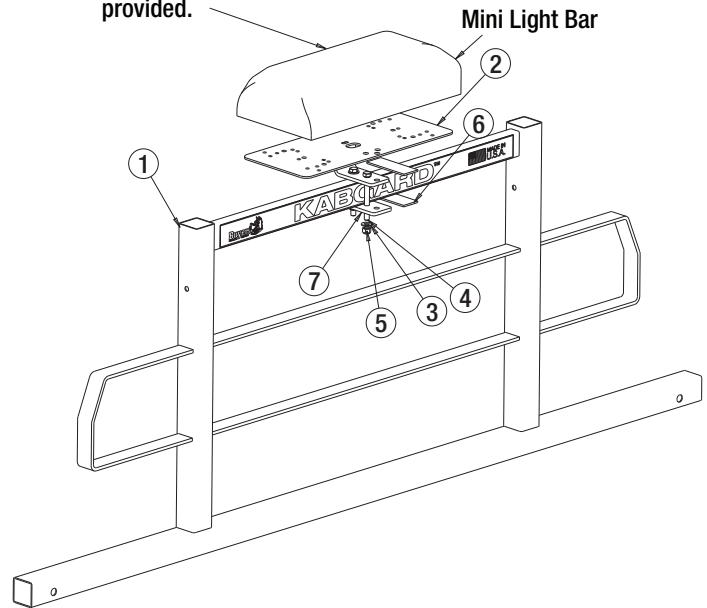
ITEM	PART NO.	QTY.	DESCRIPTION
2	3026710	2	FLAT CLAMP
3	3026711	4	BOLT, CARRIAGE, 5/16-18x3
4	FNE031018034	4	NUT, NYLOCK 5/16-18 ZN
5	FWF031075006	4	WASHER, 5/16 SAE ZINC
6	3027002	2	CLAMPING ANGLE

85152 Mini Light Bar Mount

1. Place mini light bar bracket on top
2. Apply 2 pieces of gasket on the inside of the clamping plate.
3. Align the bolt through 2 existing holes on the mini light bar bracket and through the clamping plate.
4. Secure the bracket by tightening the bolts and nuts firmly. Do not over torque.

ITEM	PART NO.	QTY.	DESCRIPTION
2	3026993	1	MNT KIT, MINILIGHT BAR, FOR KABGARD
3	FCS038016250	2	SCREW, HHC 3/8-16 X 2-1/2 GR 5 ZP
4	FWF038081006	4	WASHER, FLAT 3/8 SAE ZINC
5	FNE038016044	2	NUT, NYLOCK 3/8-16 X 7/16 ZINC
6	3024851	2	GASKET, LIGHT BRACKET
7	3026706	1	CLAMPING PLATE, KABGARD

Mount the light on to the bracket with the hardware provided.



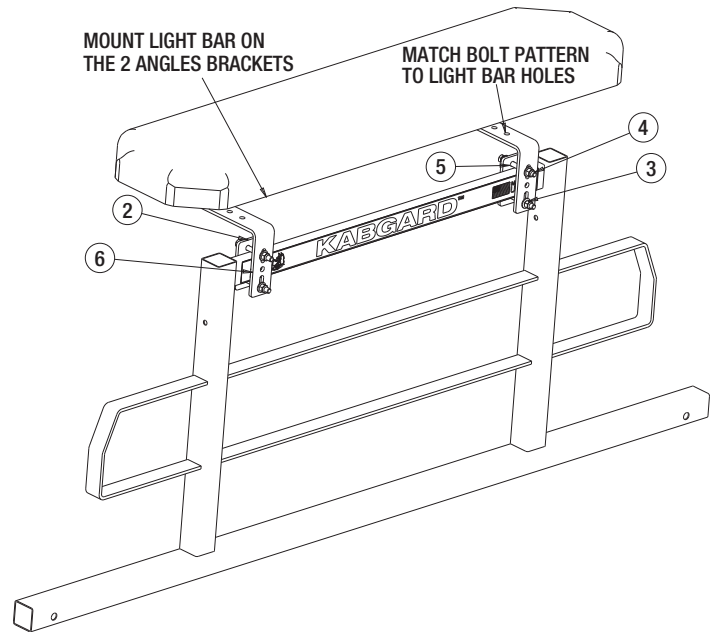
85177 Full-Size Light Bar Mount

1. Place bracket on the top railing facing front/back.
2. Align the bolt through 2 existing holes on the bar bracket and through the clamping plate.
3. Secure the bracket by tightening the bolts and nuts firmly. Do not over torque

ITEM	PART NO.	QTY.	DESCRIPTION
2	3026708	2	WALL, CLAMP
3	FWF038081006	8	WASHER, FLAT 3/8 SAE ZINC
4	FNE038016044	4	NUT, NYLOCK 3/8-16 X 7/16 ZINC
5	FCS038016350	4	SCREW, HHC-3/8-16 X 3.5 GR 5 ZN
6	3026707	2	ANGLE, RAILING, KABGARD

MOUNT LIGHT BAR ON THE 2 ANGLES BRACKETS

MATCH BOLT PATTERN TO LIGHT BAR HOLES



WARRANTY

Buyers Products Co. warrants all truck/trailer hardware manufactured or distributed by it, to be free from defects in material and workmanship for a period of one year from date of shipment. Parts must be properly installed and used under normal conditions. Any product which has been altered, including modification, misuse, accident or lack of maintenance will not be considered under warranty. Normal wear is excluded. The sole responsibility of Buyers Products Co. under this warranty is limited to repairing or replacing any part or parts which are returned, prepaid, and are found to be defective by Buyers Products Co. Authorization from Buyers Products Co. must be obtained before returning any part. No charges for transportation or labor performed on Buyers' products will be allowed under this warranty.