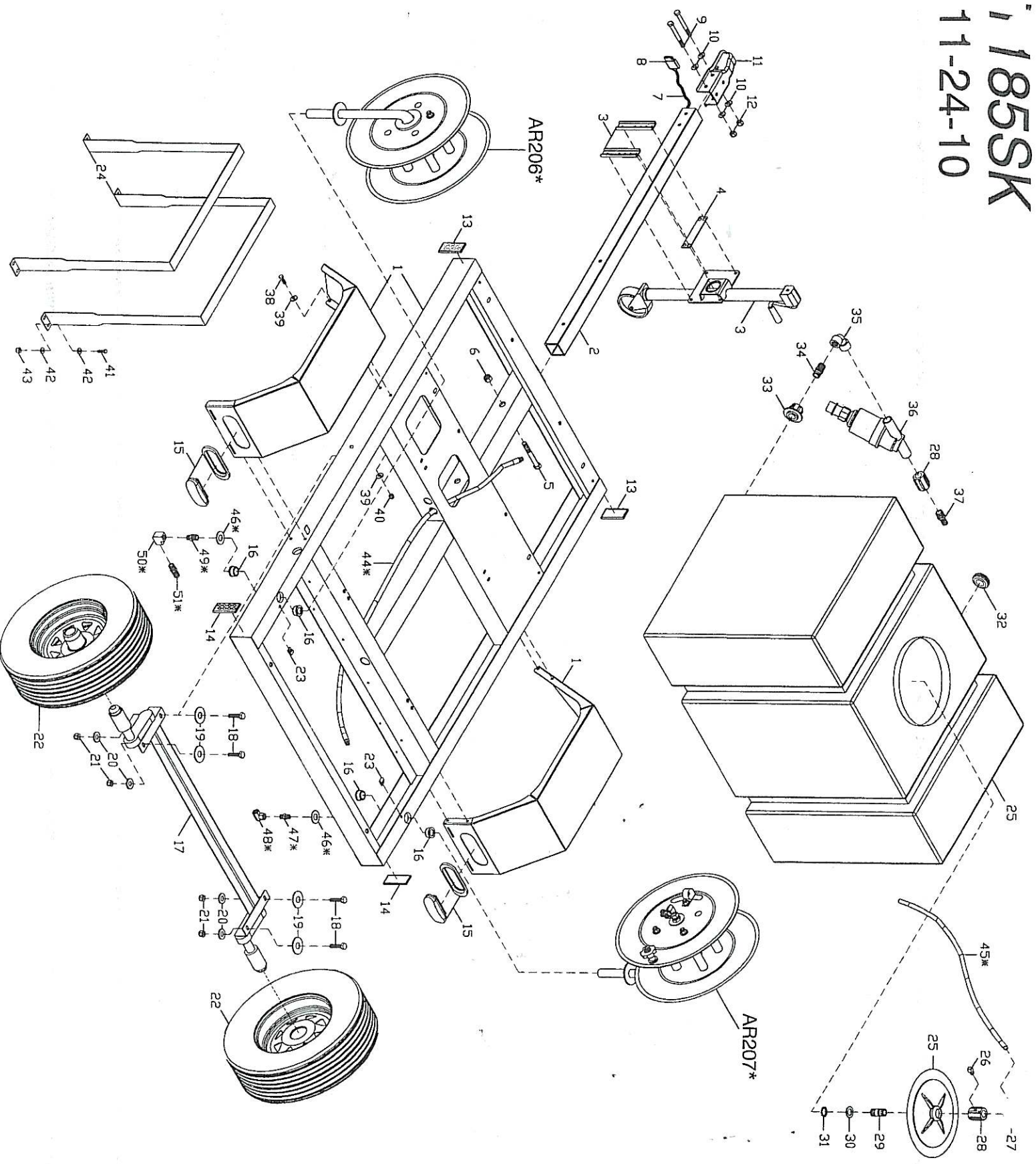


185SK

11-24-10



T185SK PARTS LIST

| | | | | | |
|----|-------|---------------------------------------|-----|--------|---|
| 1 | HS070 | T185 TRAILER FRAME (2007) | 29 | DB342 | NIPPLE 3/4 x 2 1/2 PVC 80 |
| 2 | TH500 | TRAILER TONGUE, REMOVABLE 5 ft | 30 | FWC16 | WASHER 1in ID PLATED |
| 3 | TJ130 | SWING UP JACK - BOLT ON - 8in | 31 | EMN12 | 3/4 CONDUIT LOCKNUT |
| 4 | HTJ00 | SHIM- TRAILER JACK 1.75x 6.50 | 32 | HLB78 | GROMMET, 7/8 INSIDE |
| 5 | FB881 | BOLT 5/8 - 11 x 4 1/2 GRADE 5 | 33 | DSW07 | SPIN WELD FITTING 3/4 FT 1SN |
| 6 | FNR09 | NUT 5/8 - 11 LOCKING | 34 | D2120 | NIPPLE 3/4 POLY |
| 7 | EWL25 | WIRE LOOM 3/8 BLACK | 35 | D5120 | ELL 3/4 POLY |
| 8 | TLW20 | WIRE HARNESS 20' 4 LEAD | 36 | VF125 | FILTER 3/4 Y TYPE 200 MICRON |
| 9 | FB868 | BOLT 1/2 x 4 1/2 PLATED #5 | 37 | D8120 | HOSE BARB 3/4 BRASS |
| 10 | FWC08 | WASHER SAE 1/2 PLATED | 38 | FB616 | BOLT 3/8 x 1 PLATED |
| 11 | TC235 | COUPLER 2 x 3 5000# 2in BALL | 39 | FWC06 | WASHER CUT 3/8 PLATED |
| 12 | FNL08 | NUT LOCK 1/2-13 PLATED | 40 | FNL06 | NUT LOCK 3/8-16 PLATED |
| 13 | TLR83 | REFLECTOR: AMBER | 41 | FB516 | BOLT 5/16 x 1 PLATED |
| 14 | TLR84 | REFLECTOR: RED | 42 | FWC05 | WASHER CUT 5/16 PLATED |
| 15 | TL500 | TAIL LIGHT OVAL STOP/TURN | 43 | FNL05 | NUT LOCK 5/16-18 PLATED |
| 16 | HL050 | DELTRIN BEARING; HOSE REEL 1 x 1 | | | |
| 17 | TAR37 | AXLE: IDLER TORSION 3700# | | | PARTS AND ACCESSORIES INCLUDED ON T185SK* |
| 18 | FB915 | BOLT: 5/8 x 1 3/4 FINE THREAD | | | |
| 19 | FWC17 | WASHER 11/16 ID PLATED SAE | 44* | DH015 | HOSE 3/8 x 9 1/2 Ft 5000 PSI |
| 20 | FWC20 | WASHER 11/16 ID - 1 5/16 OD 3/16 | 45* | DHL12 | HOSE: 3/4 BLACK INLET 200 PSI |
| 21 | FNL09 | NUT LOCK 5/8 - 18, FINE THREAD PLATED | 46* | FWS09 | WASHER 11/16id x 1 1/2od STAINLESS |
| 22 | TTA14 | TIRE & WHEEL 205 - 75 - 14 C 5 LUG | 47* | DB506 | NIPPLE 3/8 STEEL |
| 23 | FJ518 | J NUT 5/1-18 | 48* | DE766 | SWIVEL 3/8 x 90 STEEL |
| 24 | HCS01 | TANK STRAP STNLS STEEL 2 x 76 | 49* | D2086 | NIPPLE 1/2 x 3/8 BRASS |
| 25 | WT175 | WATER TANK 185G (STRAPS NOT INCLUDED) | 50* | D5088 | ELL 1/2 BRASS |
| 26 | DHS90 | INVERTED FLARE 90 DEGREE | 51* | D8128 | HOSE BARB 3/4H x 1/2P BRASS |
| 27 | D5617 | HOSE BARB 3/4MP x 3/4HB 90 | | AR206* | HOSE REEL LP 100FT T185 5/8" GARDEN HOSE |
| 28 | D3120 | COUPLING 3/4 POLY | | AR207* | HOSE REEL HP 100FT T185 TRAILER |