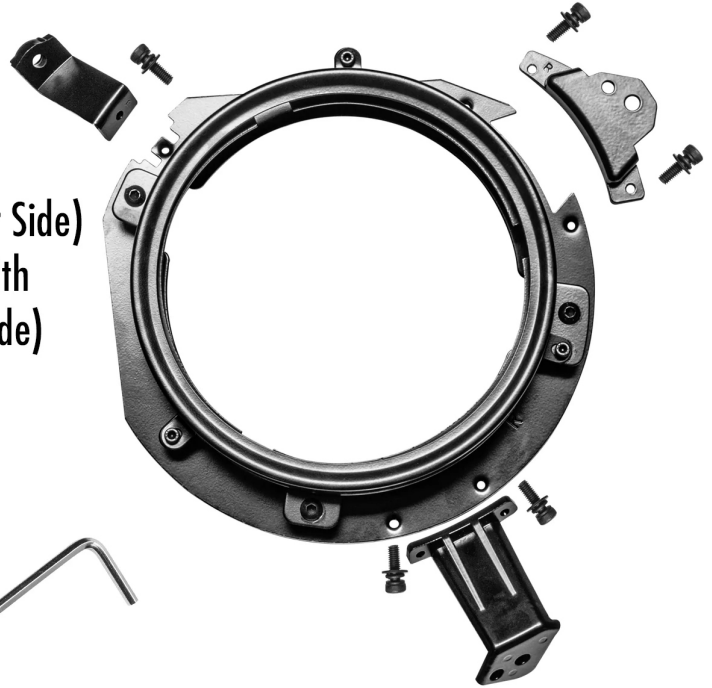


ORACLE LIGHTING

#5843 BRACKET ASSEMBLY

1) BRACKET SHIPS DISASSEMBLED

This is to prevent damage to the parts in transport. You will identify the Left (Driver Side) and Right (Passenger Side) Rings along with the corresponding mounting tabs (3 per side) and machine screws (5 per side).



2) ASSEMBLE THE BRACKETS

Using the included tool assemble the mounting tabs to the ring using the supplied hardware.



3) INSTALL THE BRACKETS

Now watch the video at vimeo.com/315484382 for further instructions.

