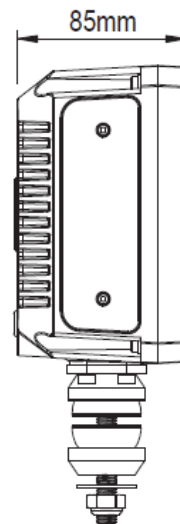
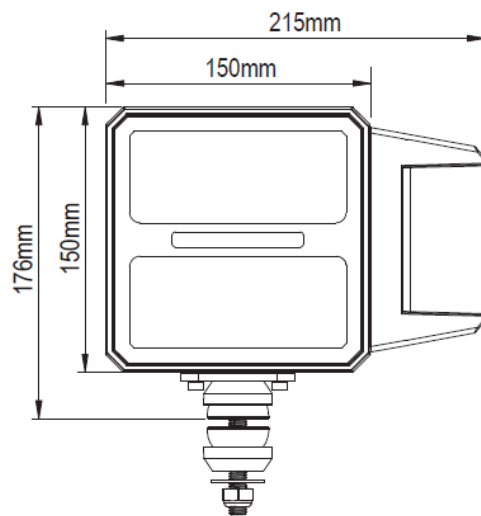
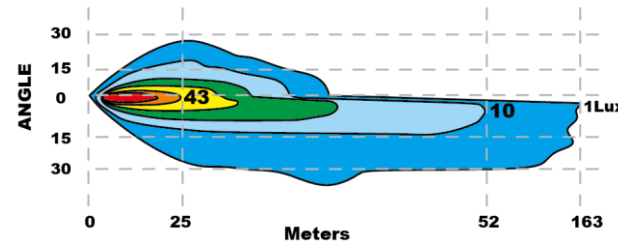


RACLE LIGHTING

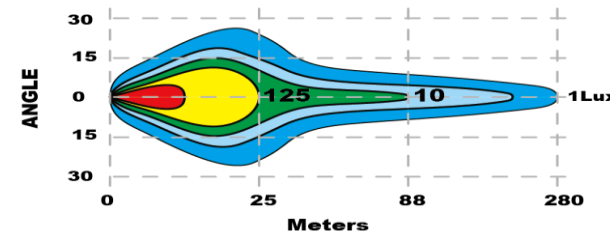
Heated Multifunction LED Plow Headlight PART #2914-001



LOW BEAM



HIGH BEAM



Materials:

- High / Low Beam: LP LED
- Position Light: LUMILEDS LED
- Indicator: ET1 LED
- Color Temperature: 5700K
- Die Cast Aluminum Alloy (ADC12) Heat-Sink
- Lens Material: Tempered glass
- Reflector Material: PC
- Housing: Black powder coated die cast aluminium

Features:

- High Beam/Low Beam/Position Light/Indicator
- Reference No.: 17.5
- Automatic Snow-melt and anti-icing system(patented technology)
- Reflector Facing Technology
- Dual Mount: Bottom/Back Mount
- Multi-directional mounting for indicator: Left / Right /Top Installation
- ECE R112/R7/R6 , R10, DOT, CE, RoHS
- Over / Under Voltage Protection
- Reverse Polarity Protection
- UV Resistant, Shock Resistant-15G
- Waterproof rating: Comply with IP68 and IP69K
- LED Lifespan: 50,000+ Hr
- Warranty: 1 year

Part NO.	Dimensions(mm)	Beam pattern	Power	AMP Draw (12V/24V)	Raw lumens	Effective Lumens	Peak Beam Intensity(cd)	Operating conditions:
2914-001	215*150*85	Low Beam	24W (2pcs*12W)	1.7A/0.8A	1800lm	1500lm	26875cd	DC 9-30V / Environment temperature -40~+60 ° C The heating function will be activated automatically when the light is on and the yellow LED indicates that the heating function is working. When the temperature of the front cover reaches approx. 40°C, the heating function is turned off automatically.
		High Beam	48W (4pcs*12W)	3.8A/1.7A	3600lm	2900lm	78125cd	
		Indicator	12W (4pcs*3W)	0.9A/0.5A	220lm	150lm		
		Position Light	3W (3pcs*1W)	0.1A/0.05A	160lm	130lm		
		Heated Lens	22W	1.9A/0.9A				