



**GOPOWERBIKE**

GoVelo Owner's Manual



WWW.GOPOWERBIKE.COM



## DO NOT RETURN TO STORE!

If you need any help with your new **GoVelo** bike, whether it is missing parts or you need help with assembly, please email us at [Help@gopowerbike.com](mailto:Help@gopowerbike.com). We will be sure to respond!

# Welcome

Thank you for purchasing the **GoVelo** from GoPowerBike.

We take pride in bringing you a quality product that will offer years of enjoyment. Please read and understand this manual fully before assembling and riding your bike.

If you have any questions after reading this manual, please reference the GoPowerBike Help Center or contact us by email.

## We are here to help!

Email: [help@gopowerbike.com](mailto:help@gopowerbike.com)

Website: [www.gopowerbike.com](http://www.gopowerbike.com)



# Table of Contents



|                                   |    |
|-----------------------------------|----|
| Using This Manual                 | 1  |
| General Info                      | 2  |
| Safety Check                      | 3  |
| Getting Started                   | 6  |
| Installing the Handlebar          | 7  |
| Installing the Front Wheel        | 10 |
| Adjusting the Handlebar           | 14 |
| Attaching the Pedals              | 16 |
| Installing the Seat               | 18 |
| Installing the Front Fender       | 20 |
| Installing the Kickstand          | 22 |
| Get To Know Your Ebike            | 23 |
| Removing & Installing the Battery | 25 |
| Charging Your Ebike               | 27 |
| Battery and Charging              | 28 |
| Riding Your Ebike                 | 29 |
| Maintenance                       | 30 |
| Disclaimer & General Warnings     | 31 |
| Limited Warranty                  | 32 |
| Additional Warranty Terms         | 33 |

## Using This Manual

This manual contains details of the product, its equipment, and information on operation, maintenance, and other helpful tips for owners. Read it carefully and familiarize yourself with the ebike before using it to ensure safe use and prevent accidents. This manual contains many warnings and cautions concerning the safe operation and consequences if proper setup, operation, and maintenance are not performed. All information in this manual should be carefully reviewed and if you have any questions you should contact GoPowerbike immediately.

The notes, warnings, and cautions contained within the manual and marked by the triangular Caution Symbol should be given special care. Users should also pay special attention to information marked in this manual beginning with **NOTICE**.



Keep this manual, along with any other documents that were included with your bike, for future reference, however all content in this manual is subject to change or withdrawal without notice. GoPowerbike makes every effort to ensure the accuracy of its documentation and assumes no responsibility or liability if any errors or inaccuracies appear within.

Assembly and first adjustment of your bike from GoPowerbike requires special tools and skills and it is recommended that this should be done by a certified, reputable bike mechanic if possible.

Because it is impossible to anticipate every situation or condition that can occur while riding, this manual makes no representations about the safe use of bikes under all conditions. There are risks associated with the use of any bike that cannot be predicted or avoided and are the sole responsibility of the rider.

## General Info

### Assembly and Fit

Correct assembly and fit are essential elements of ensuring your bicycling safety, performance, and comfort. Even if you have the experience, skill, and tools to complete these essential steps before your first ride, GoPowerbike recommends having a certified, reputable bike mechanic check your work.

**NOTICE:** If you do not have the experience, skill, and tools to complete assembly and fit, GoPowerbike highly recommends having a certified, reputable bike mechanic complete these procedures as well as any future adjustments or tuning.

**NOTICE:** A critical aspect of assembling your bike by GoPowerbike is securing the front wheel and checking the tightness of the rear wheel axle nuts. All bikes by GoPowerbike use a quick release front wheel mounting mechanism and the rear wheel is bolted on. These mechanisms may become loose or unsecured during shipment or over time. The torque and security of all wheel mounting hardware should be inspected upon arrival and on a regular basis. Both wheels need to be properly secured before operating your bike.

### Mandatory Equipment and Use Locations

Before all rides, ensure you have all required and recommended safety equipment and are following all laws pertaining to using an electric bike in your region. For example, these laws may specify the need for mandatory equipment, use of hand signals, and where you can ride.

### Changing Components or Attaching Accessories

The use of non-original components or spare parts can jeopardize the safety of your ebike, invalidate your warranty and, in some cases, cause your ebike to not conform with laws pertaining to your bike.

## Safety Check Before Each Ride

Always check the condition of your bike before you ride, in addition to having regular maintenance performed. If you are unsure of how to conduct a complete check of the condition of your bike before every ride, you should consult a certified, reputable bike mechanic for assistance. See the Pre-Ride Safety Checklist for more information.

## Electrical System

The electrical system on your ebike offers various levels of power assistance and lighting for different operating conditions and user preferences. It is critical that you familiarize yourself with all aspects of your ebike's electrical system and check to see that it is working correctly before every ride. The front and rear brake levers contain safety power cutoff switches, which disable the hub motor's assistance when applied, and both levers should be checked for correct operation. The throttle should provide smooth acceleration when gradually applied. If the throttle, brake lever cutoff switches, pedal assistance, or lighting are functioning abnormally, intermittently, or not working, please discontinue using your ebike immediately and contact the GoPowerbike Product Support team for assistance.

## Quick Release Levers

Quick release levers are located on your ebike to secure the seat post. These provide convenience to the user since they allow the seat post to be adjusted without tools. Since quick release levers can be loosened during transportation, or accidentally between or during rides, it is important that you regularly check to ensure these components are properly secured.

## Accessories, Straps, and Hardware

Ensure all hardware is secured and all approved accessories are properly attached per the specific component manufacturer's instructions. It is good practice to look over all hardware, straps, and accessories before each ride, and if you do discover something wrong or find something you are not sure about, have it checked by a certified, reputable bike mechanic.

## Handlebars, Grips, and Seat Adjustments

Ensure the handlebar and handlebar stem are properly aligned, fitted to the user, and secured to their recommended torque values. Handlebar grips should not move easily on the handlebar end. Loose, worn, or damaged handlebar grips should be replaced before you ride and can be purchased from GoPowerbike. The seat and seat post should be properly aligned, fitted to the user, and the seat post quick release should be properly tightened, fully closed, and secured before riding.

## Battery Charged, Secured, and Unplugged

Ensure the battery is adequately charged and operating properly. Ensure the battery charger is unplugged from the outlet and battery, then stored in a safe location before you ride. Do not operate the electrical system if the battery is removed.



# Fully Assembled GoVelo



## Getting Started

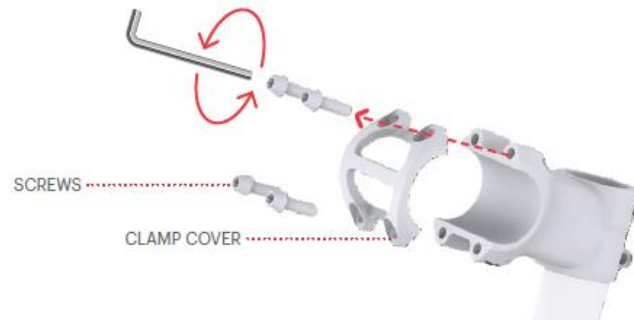
### Starting notes:

- Remove all packaging before beginning assembly.
- The directions given in this manual—right, left, front/forward, and rear/back—are oriented as the rider would see them when seated on the bike. The “right side” of the bike, for example, is the side where the rider’s right hand and foot will be.

## Installing the Handlebar

Step 1: Loosen and remove the 4 screws on the handlebar clamp by turning them counter-clockwise with the hex key.

Step 2: Remove the clamp cover and set aside with the 4 screws

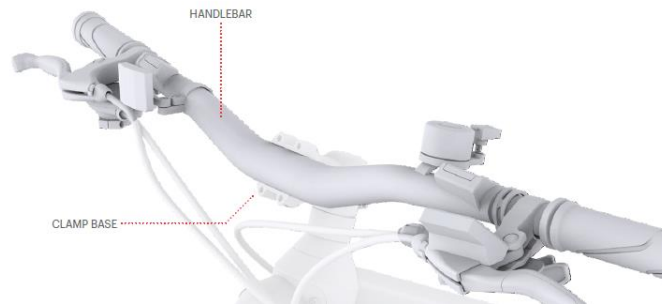


Step 3: Rotate the clamp so that it and the front fork are facing forward.



Step 4: Lift the handlebar onto the clamp base and position it such that it is:

- Nestled into the curved bottom of the clamp
- Oriented with the LCD display on the left-hand side of the handlebar
- Centered and balanced in the clamp



Step 5: Place the clamp cover onto the center of the handlebar such that:

- The 4 holes in the cover are aligned with the four holes in the clamp base
- The cover is snug over the curve of the handlebar

Step 6: Reinsert the four screws into the 4 holes on the front of the clamp cover. While holding the handlebar and clamp cover in position, tighten the screws by rotating them clockwise.



Step 7: Check that the handlebar is secure.



## Installing the Front Wheel

Step 1: Gently balance the bike on the front fork and back wheel. (you may want a friend to help)

Step 2: Check that all packing materials are removed from the wheel and front fork

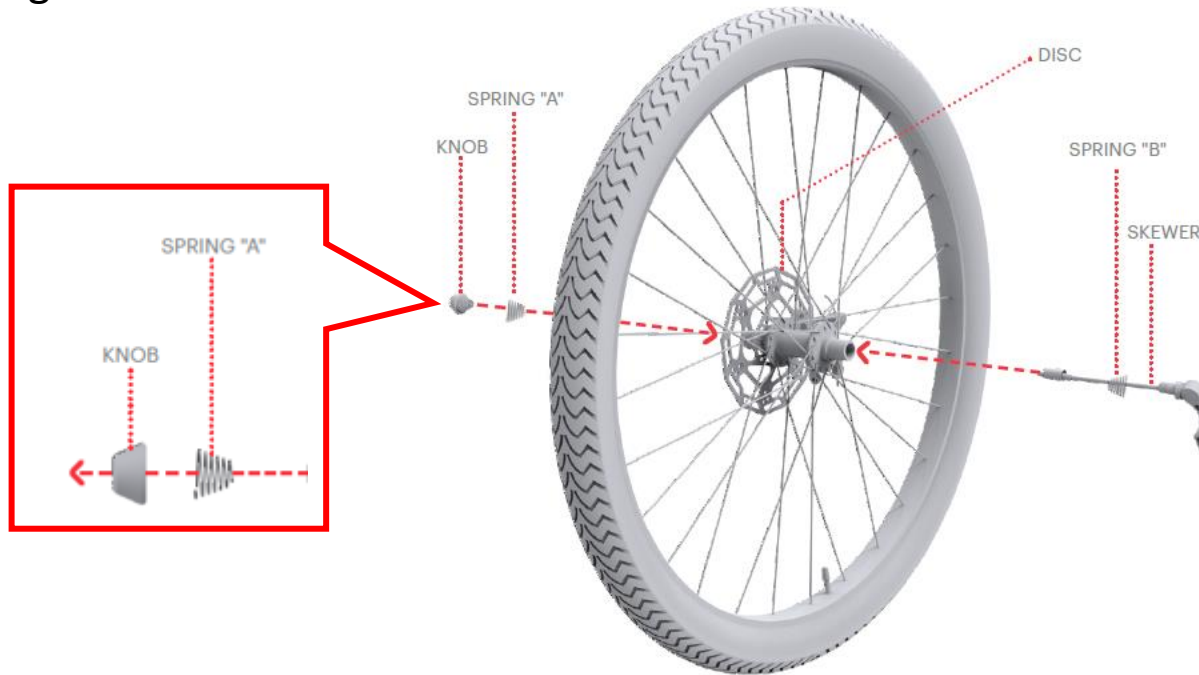
Step 3: Twist the knob on the quick release axle counter-clockwise to loosen and remove it. Remove Spring "A" from the axle and open the latch.



Step 4: Locate the side of the front wheel with the disc. Insert the end of the quick release axle through the hole in the center of the wheel on the side OPPOSITE the disc and push it through to the disc side.

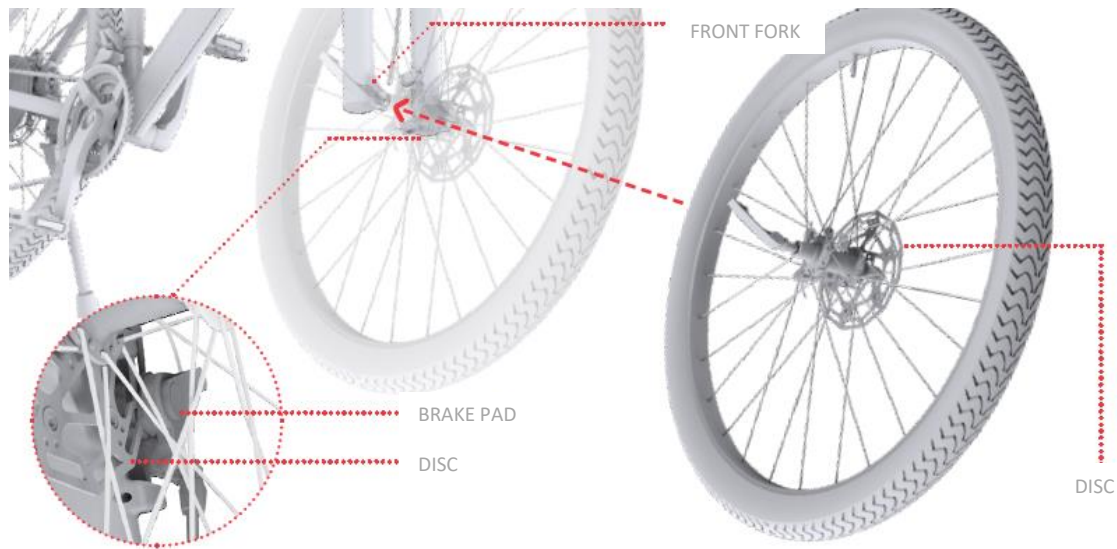
Step 5: Make sure to replace spring "A" in the same direction as it was removed. Slide the spring back onto the end of the axle so that the smaller side of the spring is closer to the wheel. (see picture above)

Step 6: Gently twist the knob clockwise onto the end of the axle but DO NOT fully tighten it.



Step 7: Position the front wheel in between the front fork so that the disc side of the wheel is on the side of the fork with the brake components.

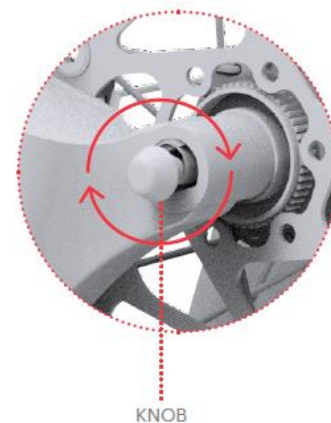
Step 8: Slide the wheel down into place with the disc in between the brake pads and the two springs on the axle situated in the notches at the end of the fork.



Step 9: When the wheel is centered and in place, tighten the knob on the axle by turning it clockwise. Close the latch on the quick release axle.



**NOTICE!** Ensure that the wheel is securely clamped onto the front fork with the axle. If the axle is properly tightened, closing the axle latch should be met with some resistance at the beginning and then require forceful effort to fully close. An unsecured wheel can loosen or fall off, putting the rider at risk for serious injury.





Step 10: Check that the wheel spins freely and is secured in place in the fork.



Troubleshooting: If you cannot open or close the latch on the quick-release axle, loosen the knob little by little until you can do so. Do not over-loosen. You should feel some tension when opening and closing the latch.

## Adjusting the handlebar (after front wheel assembly)

Step 1: Align the handlebar so that it is perpendicular to the front wheel.



Step 2: Tighten the top screw. When you are finished tightening the screw, add the small rubber cap.



Step 3: After the handlebar is properly aligned and the top screw is tightened, tighten the 2 side screws, as indicated in the pictures.



Step 4: Connect the two harness connections.  
Blue to blue-  
Green to green-



**Notice!** Make sure the arrows on both ends are aligned to prevent damage to the pins



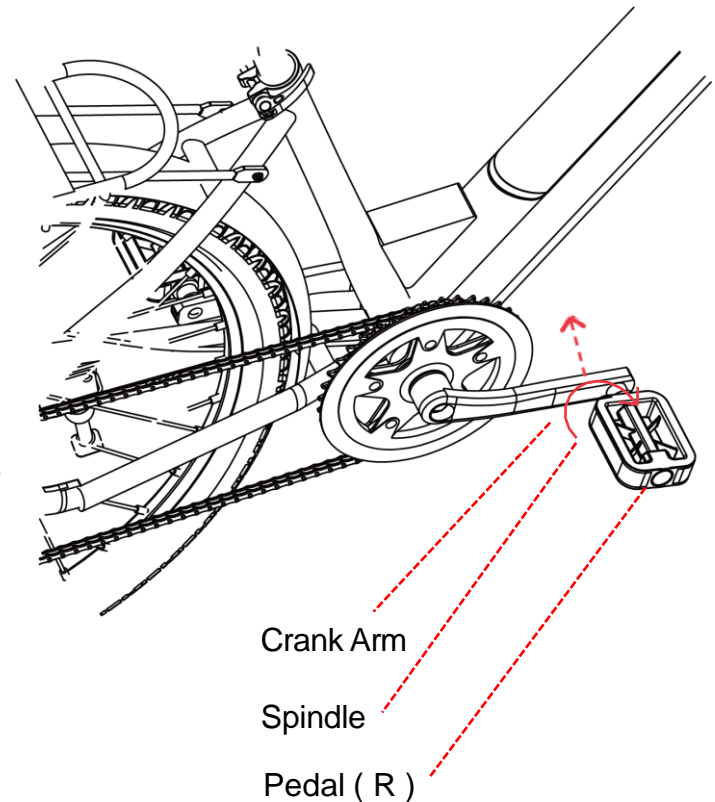
## Attaching the pedals

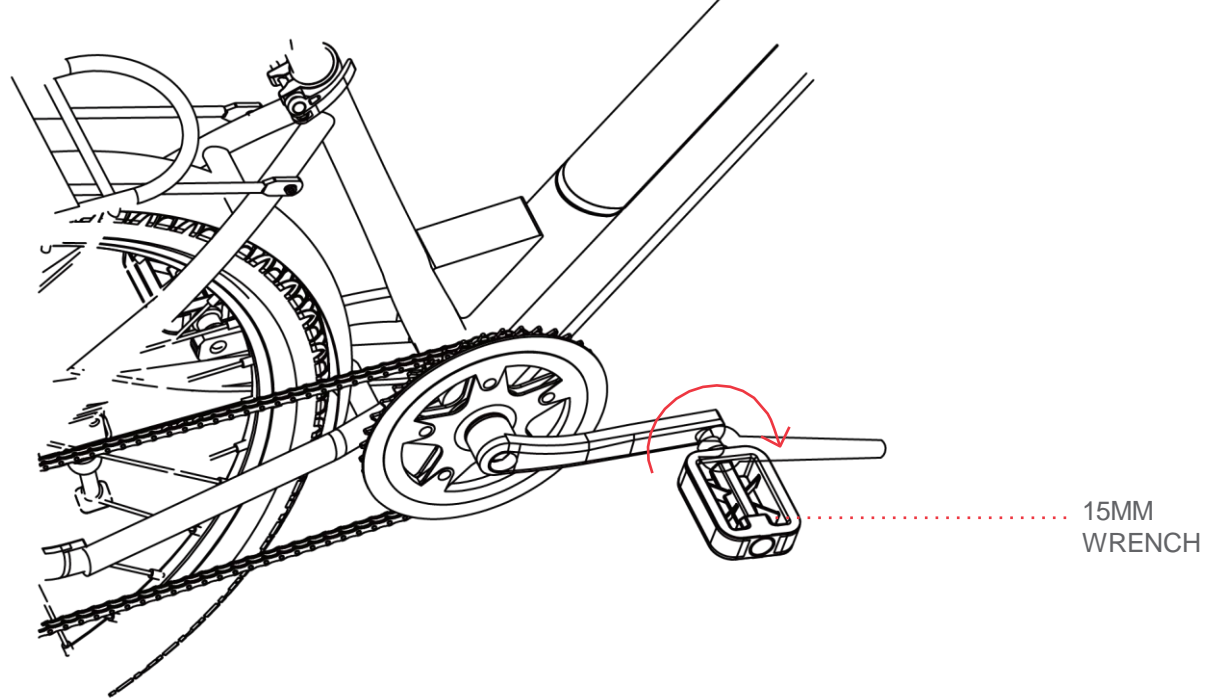
**Note the “R” (right) and “L” (left) markings on the end of spindle of each pedal.**

Step 1: Align the spindle on “R” pedal with the hole at the end of the crank arm on the right side of the bike.

Step 2: Hold the pedal base steady and, taking care that the spindle enters the hole straight on, use your other hand to twist the spindle clockwise into the hole for a few rotations.

**Caution:** if you feel resistance when inserting the pedals into the holes on the crank arm, the spindle could be entering at an angle instead of straight on. Remove the pedal and realign it with the hole before making another attempt.





Step 3: Finish inserting and then tightening the spindle into the crank arm by turning it clockwise with the 15 mm wrench or 15mm wrench tip of the multi-tool.

Step 4: Check that the right pedal is secure.

Step 5: Repeat steps 2 – 5 with the left ("L") pedal.



**NOTICE** - the spindle on the left pedal is reverse threaded and needs to be inserted and tightened with counterclockwise turns.

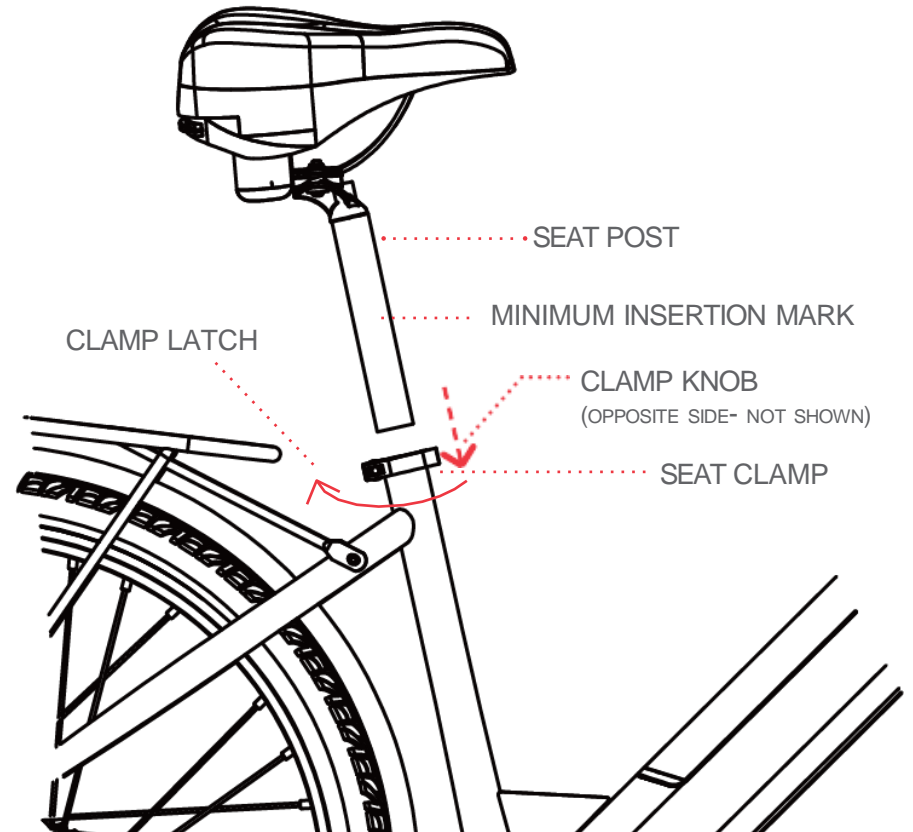
## Installing the Seat

Step 1: Pull open the latch on the seat clamp.

Step 2: Locate the "minimum insertion" mark engraved near the bottom of the seat post.

Step 3: Lower the seat post through the clamp and into the seat tube, until the "minimum insertion" mark is no longer visible above the clamp.

**Notice:** If the clamp opening is too narrow to receive the post, you can widen it by turning the knob counterclockwise while holding the latch steady.

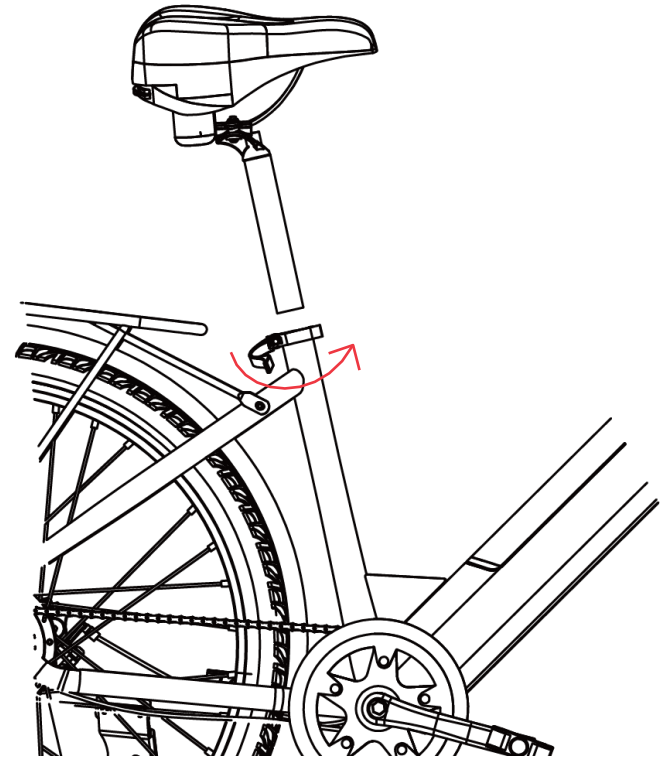


Step 4: To lock the seat in place, close the latch on the seat clamp.

Step 5: Check that the seat is secure: use your hand to put downward pressure on the seat. If the seat post slips further down into the tube, bring it back to position and tighten the clamp by turning the knob clockwise.

**Note:** if you cannot open or close the seat post clamp latch, the knob may be too tight.

Loosen the knob by turning it counterclockwise for 1/2 rotation at a time until you can utilize the latch.



## Installing the Front Fender

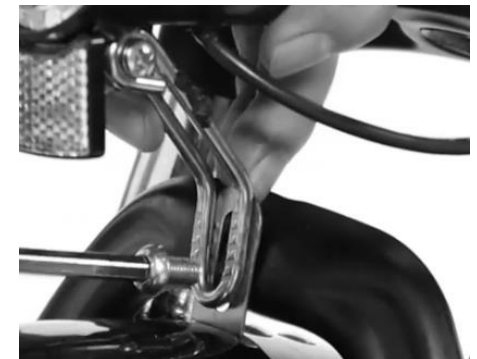
Step 1: Loosen front screw on fork for fender installation.



Step 2: Slide front fender through the front fork and over the tire until the tab on the fender meets the fork.



Step 3: Move headlight into place and use the screw to attach the headlight and fender.





Step 4: Align the fender “U” brace arms to the tabs on the rear side of the front fork

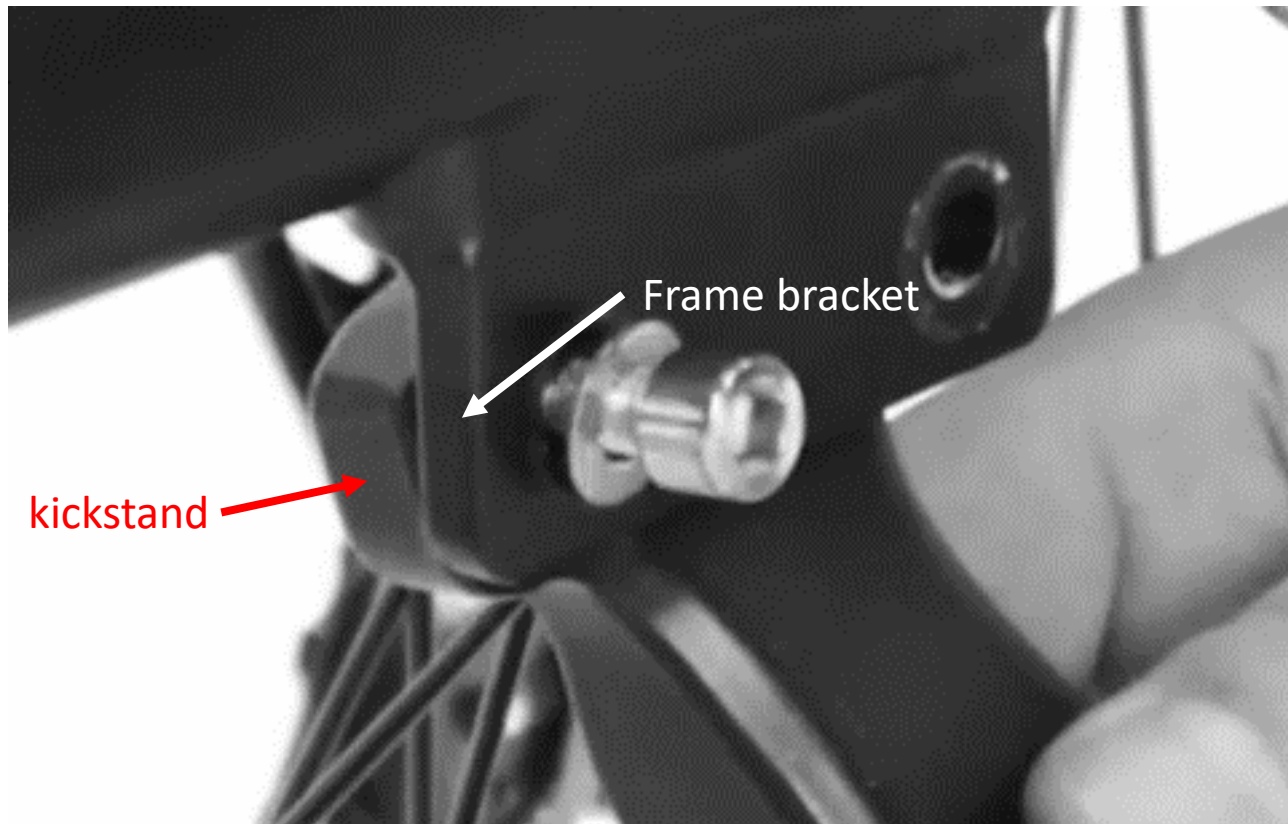
Step 5: Insert screws and tighten them with the hex key.



## Installing the Kickstand

Step 1: Place the kickstand behind the kickstand bracket on the bike.

Step 2: Align the screw holes on the kickstand and frame, insert the kickstand screws and tighten them with the hex key. (Screws go through the frame and then the kickstand)



## Get to Know Your Ebike-Operation

**Power On/Off:** Locate the power button on the left handle. Press it to power on, and to power off, press and hold it for three seconds. The eBike automatically powers off upon ten minutes of inactivity

**Lights On/Off:** After turning on the eBike, press the light button located left of handlebar.

**Cruise Control:** When the desired uniform riding speed is reached, maintain the position of the throttle for eight seconds to start cruising. Releasing the throttle would not affect the cruising speed. Twist the throttle again to accelerate, or pull the brake levers to stop cruising.

**Throttle Mode:** When the power is on, twist the throttle to accelerate and start the ride without pedaling

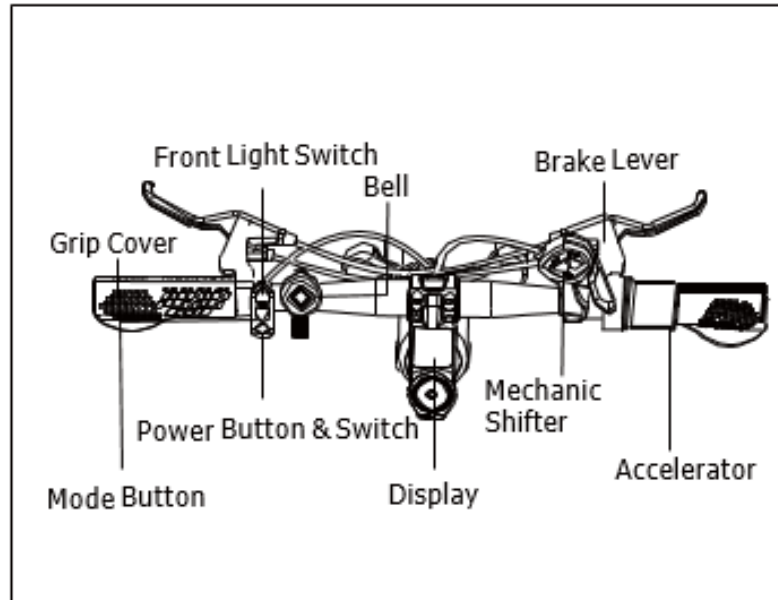
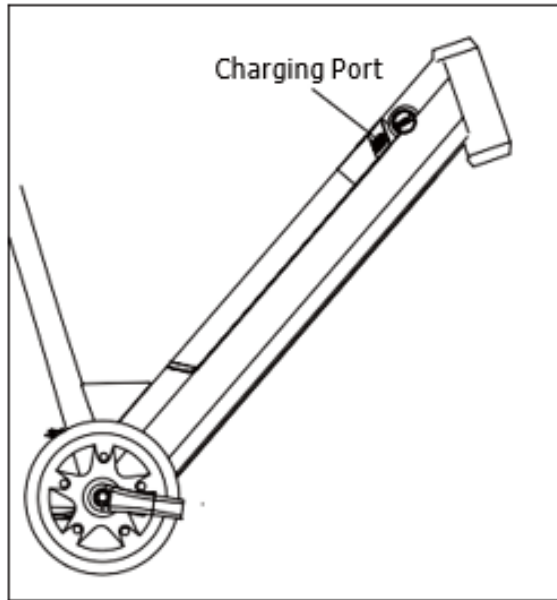
**Pedal Assist Mode:** When the power is on and while you are pedaling, the motor also provides power for an easier and more energy-efficient ride.

**Power Cut-Off Brakes:** When you pull the brake levers, the controller cuts off the motor output. The mechanical disc brakes are also engaged. As long as the brake levers are not completely released, Pedal Assist Mode or Throttle Mode remains disabled.

**Shifting mode (motor speed):** Locate the M button on the left handle. When the power is on, press it to shift the motor speed. Mode E/D/S corresponds to the motor-powered maximum speed of 15 km/h (or 9.32 mph), 25 km/h (or 15.53 mph) and 32 km/h (19.88 mph).

**Display:** The display in the center of the handlebar shows battery level, speed, mode, lights, and failure report.

**Charging:** Connect the DC jack of the original charger to the charging slot of your eBike, and the AC plug to the mains. The charger light turns from red to green when charging is complete. (When the battery does not need charging, do not keep the AC plug connected to the mains and do not keep the charger connected to the battery. Do not charge indoors. When charging outdoors, avoid rain or direct sun on the charger.)



## Removing and Installing the battery

This battery is removable. To remove it, open the battery lock, and the upper part of the battery pops up. Take out the battery in the upward direction. To install the battery, start with the bottom of the battery and slide it down through the battery tube. Make sure the discharge port is connected well with the plug of the connector. Push in the upper part, clip it in to the battery tube, and lock the battery. (For battery replacement upon damage, please contact our official customer service.)

Turn the key so the battery end pops up



Gently lift the battery from the battery compartment by sliding upward.

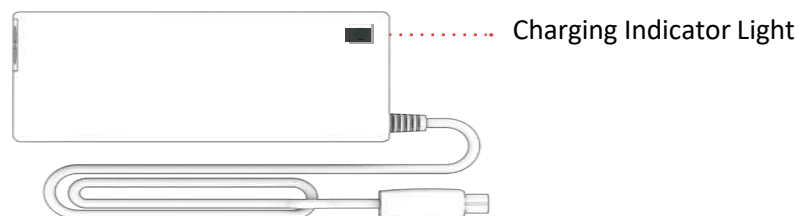


Reinstall battery by sliding the bottom of the battery into the battery compartment and sliding the battery in a downward motion locking it into the battery compartment.

## Charging Your Ebike

Connect the DC jack of the charger to the charging port of your ebike and then the AC plug into the outlet. The charger light turns from red to green when charging is complete.

- ----- Still Charging
- ----- Fully Charged



### **NOTICE - Important charging notes:**

- Only use the included charger.
- Always keep the charging port closed when not actively charging your bike.
- Never turn on your bike while it is charging.
- For best battery health, charge the battery fully during each charging session.
- Never leave your bike charging overnight or for extended periods of time.
- Do not attempt to remove or disassemble the battery.

## Battery and Charging

- Do not connect the positive to negative, or vice versa. Do not damage, disassemble, or short-circuit the battery. Avoid water, other liquid, or other foreign matter inside the battery to prevent short circuit.
- Instructions in this manual must be followed when charging the battery, otherwise the owner shall take sole responsibility for any consequences.
- Charge the battery only at the temperature between 0°C (or 32° F) and 45 ° C (or 113 ° F), and discharge at the temperature between -20°C (or -4°F) and 60°C (or 140°F). The charging current should not exceed 2A. Charge only in a well-ventilated area, away from sun and heat.
- Use the original charger from the package to charge the battery. Connect the charger and battery before plugging the charger into the mains. Do not charge the battery for over 6 hours each time.
- When charging, if the charging indicator appears abnormal, a smell is released, or the charger overheats, stop charging immediately. Service or replace the charger.
- To stop charging, unplug from the mains before disconnecting the charger and battery.
- When the charging indicator turns green, stop charging. Do not leave the charger connected to any AC power source when not charging.
- When not in use, store the battery in a dry and cool place. Keep away from fire, heat and high temperature. Do not put the battery in acid or alkaline liquid. Make sure to charge the battery for two hours each month.
- Before using the charger to charge a different battery, note the battery type and voltage that the charger may apply to.
- It is advisable not to carry the charger with your eBike. If you must, place the charger in a toolbox upon shock absorption treatment.
- Do not disassemble the charger or replace the parts and components in the charger on your own.

**Waste battery is classified as hazardous. Do not disassemble the waste battery on your own. It should be collected and recycled properly.**



## Riding your ebike

- Do not use the eBike before reading this manual carefully and knowing your eBike thoroughly.
- Do not lend your eBike to anyone who do not know how to use it, so as to avoid harm.
- When adjusting the steerer tube and seat tube, do not expose the minimum insertion marks.
- Before riding, check the tire pressure. It is advisable to maintain at 35-45 PSI.
- Before riding, ensure the power, lights, handles, brakes, wheels, reflectors and others are in good condition.
- Before carrying people or objects on your eBike, learn the local laws and regulations, and abide by them.
- Do not exceed the load capacity of 120 kg (or 264.60 lbs.).
- Wear a helmet, and obey traffic rules.
- Obey local traffic rules to keep to the right or left.
- Do not ride on any motorized lane or in any pedestrian crowd.
- It is advisable not to go over 15 km/h (or 9.32 mph) when riding on any non-motorized lane, downhill, or paved road.
- Slow down in rain or snow as required braking distances increase.
- It is advisable not to ride in storms or any extreme weather.
- Avoid impact on the motor.
- Keep the bearings lubricated.
- Do not park your eBike in any lobby, walkway, evacuation stairway, or emergency entrance/exit.
- Do not charge or park your eBike inside any residential building. Keep away from combustibles when charging. Charging should not exceed 6 hours each time.

## Maintenance

- The front and rear wheels should be aligned to the center of the front fork and frame.
- Park away from direct sunlight and rain.
- Do not rinse the eBike. Wipe with a damp cloth to clean.
- Check the motor and brakes frequently. Do not oil the braking system.
- Regularly check all screws and keep them fastened.
- Recommended torque specs: handlebar screw 52.08-69.44 lbf.in, steering stem screw 151.90-173.60 lbf.in, saddle screw 151.90-217.00 lbf.in, and wheel screw 277.70-390.60 lbf.in.
- Regularly check the tension of the chain, which can be adjusted via the chain regulator.
- Frequently check the tires for scratches, cracks or excessive wear. The inner tube and valve should be perpendicular to the wheel hub. Punctured, damaged or excessively worn inner tube and tire must be replaced immediately. Please contact professional technicians.
- It is forbidden to modify key structural parts including the frame, front fork and steerer tube, and any electrical parts. If damaged, replace with identical parts from our factory. Otherwise, the warranty shall be void and the owner shall take sole responsibility for any consequence.

## Disclaimer

1. Our company reserves the right to modify and give final interpretation to the product model, specification, and other information contained in this manual.
2. The product model, specification, and other information contained in this manual is subject to any modification or change without notice.
3. The functions of the specific model referred to in this manual apply to this specific model only.
4. Without the prior written permission of the company, the contents of the manual may not be copied, modified, reprinted, disseminated or published in any form.
5. Please read this manual carefully before using the product, and operate in accordance with the manual. Otherwise, the company shall not be liable for any personal or property damage, including damage to the product, caused by misuse or abuse.
6. For more information, please visit our official website: [www.gopowerbike.com](http://www.gopowerbike.com)

## General Warnings



**Like any sport, bicycling involves risk of damage, injury, and death. By choosing to ride a bike, you assume the responsibility for that risk, so you need to know, and practice the rules of safe and responsible riding and the proper use and maintenance of this bike. Proper use and maintenance of your bike reduces risk of damage, injury, and death.**



**Biking and controlled substances do not mix. Never operate a bike while under the influence of alcohol, drugs, or any substance or condition that could impair motor functions, judgement, or the ability to safely operate a bike or another vehicle.**



**Riders must have the physical condition, reaction time, mental capability to ride safely and manage traffic, road conditions, and sudden situations, as well as respect the laws governing electric bike use where they ride, regardless of age. If you have an impairment or disability such as a visual impairment, hearing impairment, physical impairment, cognitive/language impairment, a seizure disorder, or any other physical condition that could impact your ability to safely operate a vehicle, consult your physician before riding any bike.**

# Limited Warranty

## Warranty Info

Every bike by GoPowerbike is covered under a manufacturer's one-year all-inclusive warranty for the original owner against all manufacturing defects. GoPowerbike warrants this product, including all individual components against defects in material or workmanship as follows:

### GOPOWERBIKE LIMITED 1 YEAR WARRANTY

GoPowerbike bike components including frame, forks, stem, handlebar, headset, seatpost, seat, brakes, lights, bottom bracket, crank set, pedals, rims, wheel hub, freewheel, derailleur, shifter, battery, motor, throttle, controller, wiring harness, display, kickstand, and hardware are warranted to be free from manufacturing defects in materials and/or workmanship for a 1-year period from the date of original purchase.

GoPowerbike lithium ion batteries are warranted to be free from manufacturing defects in materials and/or workmanship for a 1-year period from the date of original purchase. The battery warranty does not include damage from power surges, use of improper charger, improper maintenance or other such misuse, disassembly, normal wear, or water damage.

## Warranty Exclusions

- Liability for material defects does not cover normal wear and tear, which occurs from the manufacturers' intended use of the product. Components such as the battery, motor system, braking system, drivetrain system, seat, grips, and pedals are all subject to intended use-related wear and are not covered under the warranty from normal wear.
- Damage arising from the use of the bike in a competition or other applications outside of normal intended use.
- Damage arising from improper tools, improper assembly, or improper maintenance performed on the bike.
- Damage resulting from adding non-standard equipment, parts, or modifications.

## Additional Warranty Terms

This warranty does not cover any damage or defects resulting from failure to follow instructions in the owner's manual, acts of God, accidents, misuse, neglect, abuse, commercial use, alterations, modification, improper assembly, wear and tear, installation of parts or accessories not originally intended or compatible with the bike as sold, operator error, water damage, extreme riding, stunt riding, or improper follow-up maintenance. This warranty does not include normal wear and tear or consumable parts designed to wear down over time, including tires, tubes, brake pads, cables and housing, spokes, and handlebar grips.

GoPowerbike will not be liable and/or responsible for any damage, failure, or loss caused by any unauthorized service or use of unauthorized parts. In no event shall GoPowerbike be responsible for any direct, indirect, or consequential damages, including without limitation, damages for personal injury, property damage, or economic losses, whether based on contract, warranty, negligence, or product liability in connection with their products. All claims to this warranty must be made through GoPowerbike. Proof of purchase is required with any warranty request.

# **We are here to help!**

If you have questions:  
Contact us directly by email to  
[help@gopowerbike.com](mailto:help@gopowerbike.com)