

# KÄRCHER

## K 2 Power Control

English	2
Français	16
Español	32



## Contents

General notes.....	3
KÄRCHER Home & Garden app.....	3
Customer Service.....	3
Safety instructions.....	4
Owner/User Responsibility.....	7
Intended use .....	7
Accessories and spare parts.....	7
Scope of delivery.....	7
Description of the device.....	8
Safety devices.....	9
Assembly.....	10
Initial startup.....	10
Operation .....	11
Transport .....	13
Storage.....	14
Care and service .....	14
Troubleshooting guide.....	15
Technical data .....	16

---

**READ ALL  
INSTRUCTIONS  
BEFORE USING  
THIS PRODUCT**

---

**SAVE THESE  
INSTRUCTIONS**

---

## General notes



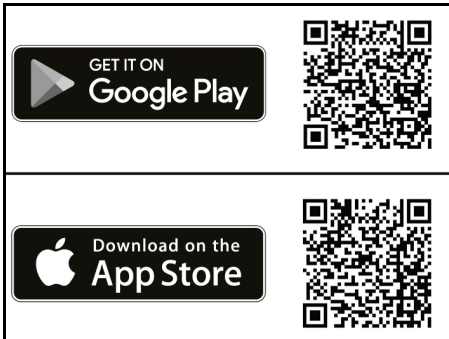
Read and follow these original instructions and the safety instructions chapter before using the device for the first time. Proceed accordingly. Keep the original instructions for future reference or for future owners.

## KÄRCHER Home & Garden app

The KÄRCHER Home & Garden app contains:

- Installation and initial startup information
- Information about the areas of application
- Tips & Tricks
- FAQ with detailed troubleshooting
- Connection to the KÄRCHER Service Centre

The app can be downloaded here:



## Trademarks

- QR-Code® is a registered trademark of DENSO WAVE INCORPORATED.
- Google Play™ and Android™ are trademarks or registered trademarks of Google Inc.
- Apple® and App store® are trademarks or registered trademarks of Apple Inc.

## Customer Service

### Registration

Your device must be registered in order to help with any questions or issues that you have. You can register your device at [www.karcher-register.com](http://www.karcher-register.com) if located in the U.S.A., [www.karcher.ca](http://www.karcher.ca) if located in Canada, or [www.karcher.com/mx](http://www.karcher.com/mx) if located in Mexico.

### Warranty

In the case of a warranty claim, you can contact customer support. Please see the contact information listed below for either the USA, Canada, or Mexico. You MUST provide your proof of purchase in order to file a warranty claim either via email, phone, or fax.

### USA Customer Service

You can contact our Customer Service department by phone at **1-800-537-4129** or via the website at [www.karcher.com/us](http://www.karcher.com/us).

### Canada Customer Service

You can contact our Customer Service department by phone at **1-800-465-4980** or via the website at [www.karcher.com/ca](http://www.karcher.com/ca).

### Mexico Customer Service

You can contact our Customer Service department by phone at **01-800-024-13-13** or via the website at [www.karcher.com/mx](http://www.karcher.com/mx).

## Safety instructions

### Hazard levels

#### **DANGER**

- Indication of an imminent threat of danger that will lead to severe injuries or even death.

#### **WARNING**

- Indication of a potentially dangerous situation that may lead to severe injuries or even death.

#### **CAUTION**

- Indication of a potentially dangerous situation that may lead to minor injuries.

#### **ATTENTION**

- Indication of a potentially dangerous situation that may lead to damage to property.

### IMPORTANT SAFETY INSTRUCTIONS

Observe all basic precautions when using the device, including the following:

#### **DANGER**

- Risk of asphyxiation. Keep packaging film out of the reach of children.
- Operation in explosive atmospheres is prohibited.

#### **WARNING**

##### **Risk of electrocution**

- Inspect power supply cord before using. Do not use if cord is damaged. Immediately have damaged cord replaced by an authorised customer service / electrician.
- Keep all connections dry and off the ground.
- Do not touch plug with wet hands.
- Connect to individual branch circuit only.
- Do not spray electrical apparatus and wiring.

#### **WARNING**

- Do not use the device if a supply cord or important parts of the machine are damaged, e.g. safety devices, high pressure hoses, trigger gun.
- High-pressure hoses, fixtures and couplings are important for the safety of the device. Only use high-pressure hoses, fixtures and couplings recommended by the manufacturer.
- This device is capable of producing high pressure (values see chapter Technical data). To avoid rupture and injury, do not operate this device with components rated less than these values (including but not limited to spray guns, hose and hose connections).
- If connection is made to a potable water system, the system has to be protected against back flow.
- Water that has flowed through a back-flow preventer is considered to be non-potable.

#### **WARNING**

- This device is not intended for use by children and other persons whose physical, sensory, or mental capabilities or lack of experience and knowledge prevents them from using the appliance safely without supervision or instruction by a responsible person.
- Children should be supervised by a responsible person to ensure that they do not play with the device.
- Do not use the device within range of persons unless they wear protective clothing.
- Stay alert, watch what you are doing.

- Do not operate the device when fatigued or under the influence of alcohol, drugs or medication.
- Do not overreach or stand on unstable support. Keep proper footing and balance at all times. This enables better control of the product in unexpected situations.

## **WARNING**

### **Risk of explosion**

- Do not spray flammable liquids.
- Do not use acids, alkaline, solvents or any flammable or toxic liquids in this device. These products can cause physical injuries to the operator and irreversible damage to the device.

## **WARNING**

### **Risk of eye injury – Spray can splash back or propel objects.**

- Always wear properly rated eye protection such as safety goggles or face shield while spraying. (Safety glasses do not provide full protection.)

## **WARNING**

### **Risk of injection or injury to persons – Do not discharge stream at persons**

- High-pressure jets can be dangerous if misused. The jet must not be directed at persons, animals, electrical devices, or the unit itself.
- The high-pressure jet must not be directed at other persons or the user him-/herself to clean clothing or footwear.
- Know how to stop the product and bleed pressures quickly. Be thoroughly familiar with the controls.
- Before servicing or cleaning the device or removing any parts, shut off power, pull out the power plug and relieve pressure.

## **WARNING**

- During use of high pressure cleaners, aerosols may be formed. Inhalation of aerosols can be hazardous to health.
- Depending on the application, shielded nozzles can be used for high pressure cleaning, which will reduce the emission of hydrous aerosols dramatically. However, not all applications allow the use of such a device. If shielded nozzles are not applicable for the protection against aerosols, a respiratory mask of class FFP 2 or equivalent may be needed, depending on the cleaning environment.

## **CAUTION**

### **Gun kicks back**

- Hold with both hands.  
The emitted water jet results in a repulsion power acting on the high pressure gun. Make sure that you have a firm footing and are also holding the high pressure gun and spray lance firmly.

## **ATTENTION**

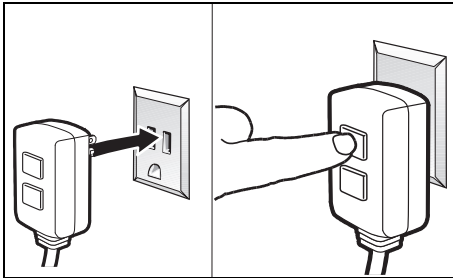
- This device has been designed for use with cleaning detergents recommended by the manufacturer. The use of other cleaning detergents may affect the operation of the device and void the warranty.
- Follow the maintenance instructions specified in the manual.

## GROUND FAULT CIRCUIT INTERRUPTER PROTECTION

This pressure washer is provided with a ground-fault circuit-interrupter (GFCI) built into the plug of the power-supply cord. This device provides additional protection from the risk of electric shock. Should replacement of the ground-fault circuit-interrupter or cord become necessary, use only identical replacement parts.

The Consumer Product Safety Commission recommends that you test all GFCI's once a month. Since the frequency of pressure washer use varies, we recommend that you test the GFCI as part of your start-up procedure each time you use your pressure washer. It might need to be reset before working with the pressure washer. To learn how to perform the GFCI test and how to reset it, visit <http://www.karcher-help.com> and search for GFCI for further instructions.

### DO NOT USE IF GFCI FAILS TEST.



NOTE: The actual appearance of the GFCI may be different from this illustration.

## EXTENSION CORDS

Do not use extension cord with this device.

## SERVICING OF A DOUBLE-INSULATED PRODUCT

In a double-insulated product, two systems of insulation are provided instead of grounding. No grounding means is provided on a double-insulated product, nor should a means for grounding be added to the product. Servicing a double-insulated product requires extreme care and knowledge of the system, and should be done only by qualified service personnel. Replacement parts for a double-insulated product must be identical to the parts they replace.

A double-insulated product is marked with the words "DOUBLE INSULATION" or "DOUBLE INSULATED". The symbol "⊞" may also be marked on the product.

## WATER SUPPLY (cold water only)

### CAUTION

When connecting the water inlet with the water supply mains, local regulations of your water company must be observed. In some areas the unit must not be connected directly to the public drinking water supply. This is to ensure that there is no feedback of chemicals into the water supply. Direct connection via a receiver tank or backflow preventer, for example, is permitted.

- Dirt in the feed water will damage the unit. To avoid this risk, we recommend fitting a water filter.
- Never use the pressure washer to draw in water contaminated with solvents, e.g. paint thinners, gasoline, oil etc.
- Always prevent debris from being drawn into the unit by using a clean water source.

## Owner/User Responsibility

The owner and/or user must have an understanding of the manufacturer's operating instructions and warnings before using this pressure washer. Warning information should be emphasized and understood.

If the operator is not fluent in English, the manufacturer's instructions and warnings shall be read to and discussed with the operator in the operator's native language by the purchaser/owner, making sure that the operator comprehends its contents.

Owner and/or user must study and maintain the manufacturers' instructions for future reference.

## Intended use

### For home use only!

The high-pressure cleaner is designed for cleaning machines, vehicles, structures, tools, facades, terraces, garden tools, etc. with high-pressure water streams.

## Accessories and spare parts

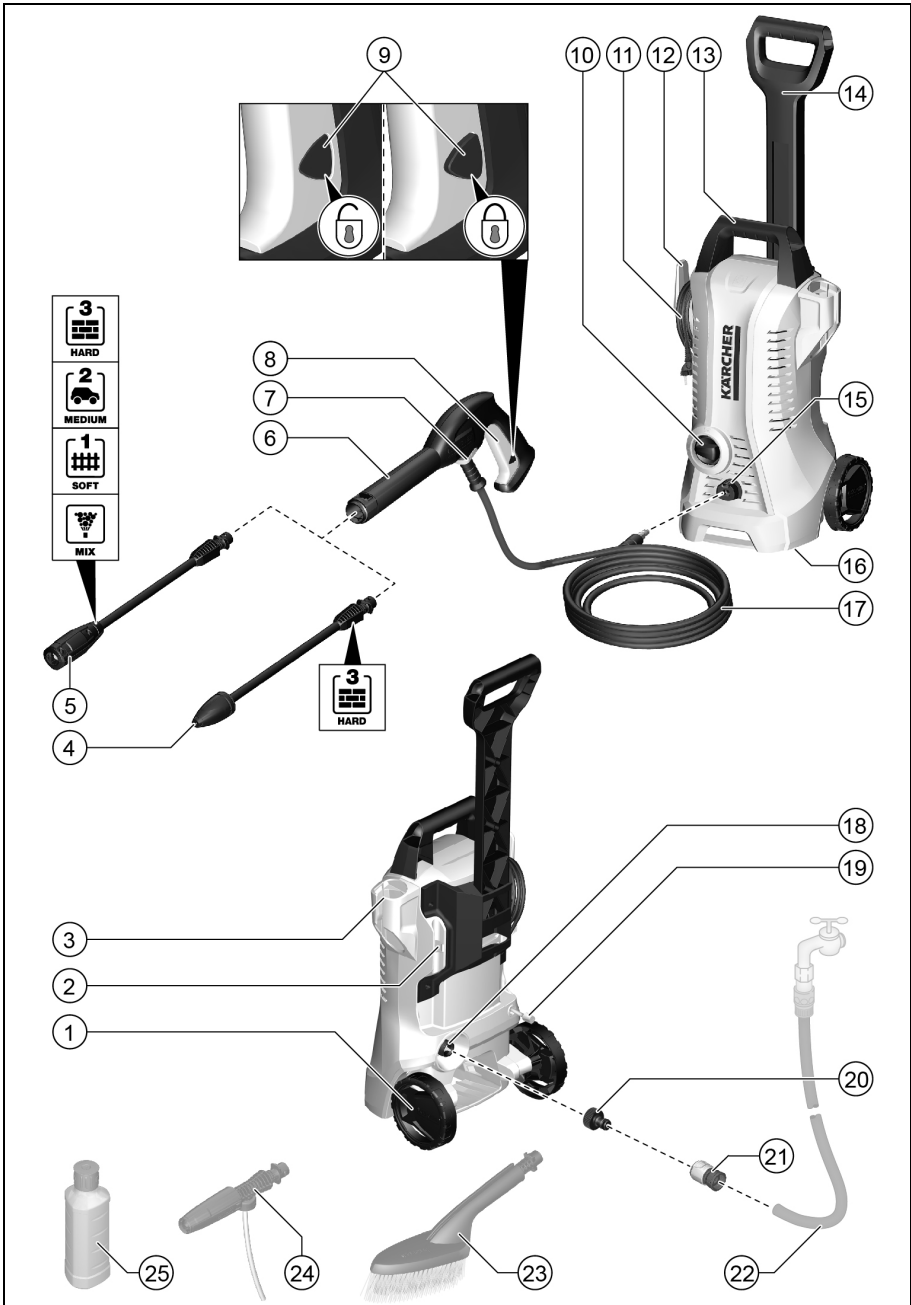
Only use original accessories and original spare parts. They ensure that the appliance will run fault-free and safely. Information on accessories and spare parts can be found at [www.kaercher.com](http://www.kaercher.com).

## Scope of delivery

The scope of delivery for the appliance is shown on the packaging. During unpacking, check the contents for completeness. If any accessories are missing or in the event of any shipping damage, please notify your dealer.

## Description of the device

The maximum amount of equipment is described in these operating instructions. Depending on the model used, there are differences in the scope of delivery (see packaging).





## Safety devices

- ① Transport wheel
- ② Storage for spray lance
- ③ Storage / parking position for high-pressure gun
- ④ Power Control spray lance dirt blaster for stubborn dirt, pressure level: HARD
- ⑤ Click-Vario Power Control spray lance for the most common cleaning tasks, pressure levels: HARD / MEDIUM / SOFT / MIX
- ⑥ Power Control high-pressure gun
- ⑦ Clamp for connecting / disconnecting the high-pressure hose
- ⑧ High-pressure gun lever
- ⑨ High-pressure gun lock
- ⑩ Power switch "0/OFF" / "I/ON"
- ⑪ Mains connection with mains plug
- ⑫ Storage hook for power cord
- ⑬ Carrying handle
- ⑭ Transport handle, telescoping
- ⑮ Quick coupling for high-pressure hose
- ⑯ Type plate
- ⑰ High-pressure hose
- ⑱ Water connection with integrated sieve
- ⑲ Detergent suction hose
- ⑳ Water connection coupling
- ㉑ Garden hose connector
- ㉒ \*\*Garden hose (fabric-reinforced, diameter at least 1/2 inch (13 mm), length at least 7.5 m)
- ㉓ Washing brush
- ㉔ Foam nozzle for powerful detergent foam
- ㉕ Detergent container

\*\* additionally required

## CAUTION

### Missing or modified safety devices

Safety devices are provided for your own protection.

Never modify or bypass safety devices.

### Power switch

The power switch stops you from operating the device unintentionally.

### High-pressure gun safety lock

The safety lock blocks the trigger of the high-pressure gun and prevents the device from starting unintentionally. This safety feature DOES NOT lock spray in the ON position.

### Auto-stop function

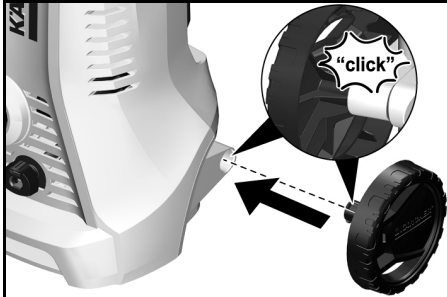
If the trigger of the high-pressure gun is released, the pressure switch turns off the pump and the high-pressure jet stops. If the trigger is pressed, the pump switches on again.

## Assembly

Before initial startup, mount the loose enclosed parts on the device.

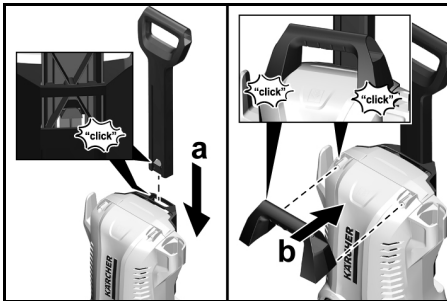
### Mounting the wheels

1. Attach and secure the wheels to the device.



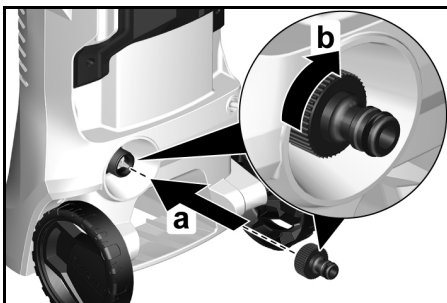
### Mount the handles

1. Attach the transport handle.
2. Attach the carrying handle.



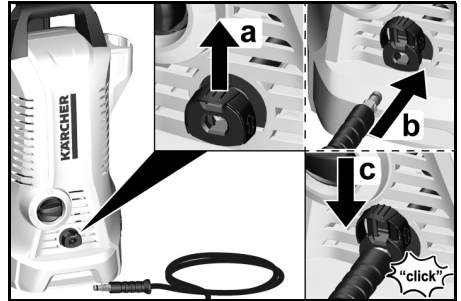
### Mounting the coupling for the water connection

1. Screw the coupling for the water connection onto the water connection of the device.

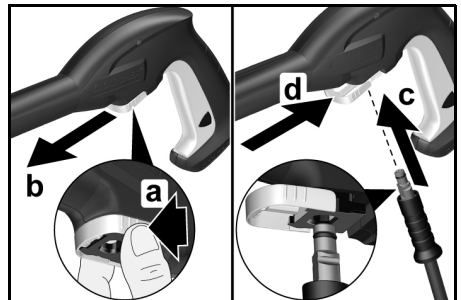


## Initial startup

1. Place the device on a flat and level surface.
2. Insert the high-pressure hose into the quick coupling until it audibly latches into place.



3. Connect the high-pressure hose to the high-pressure gun.  
a Squeeze the clamp.  
b Pull out the clamp.  
c Insert the high-pressure hose.  
d Press the clamp in until it latches into place.



4. Check for a secure connection by pulling on the high-pressure hose.
5. Insert the power plug into a working outlet.

## Water supply

For connected loads, see type plate or chapter *Technical data*.

Observe the instructions of the water supply company.

## ATTENTION

### Damage due to contaminated water

Contaminated water can damage the pump and the accessories.

For protection, KÄRCHER recommends the use of the KÄRCHER water filter (special accessory, order number 4.730-059).

## Connection to the water line

## ATTENTION

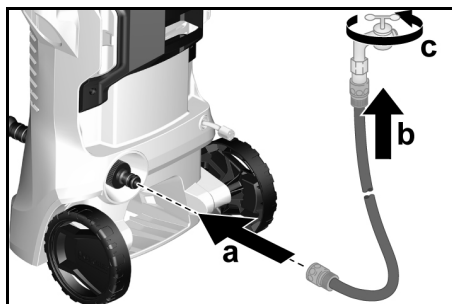
### Hose coupling with Aquastop on the water connection of the device

Damage to the pump

Never use a hose coupling with Aquastop on the water connection of the device.

You can use an Aquastop coupling on the tap.

1. Screw the supplied hose coupling on to the end of your garden hose.
2. Attach the garden hose to the coupling for the water connection.
3. Connect the garden hose to the water line.
4. Open the water tap fully.



## Operation

## ATTENTION

### Dry running of pump





Damage to the device

If the device does not build up any pressure within 2 minutes, switch off the device and proceed according to the instructions in chapter *Troubleshooting guide*.

## Power Control System

### Note

The sensitivity of materials can vary greatly depending on age and condition. The recommendations are therefore not binding.

Display	Pressure level	Recommended for e.g.
	HARD	Stone terraces made of paving stones or washed concrete, asphalt, metal surfaces, garden utensils (wheelbarrow, spade, etc.)
	MEDIUM	Cars / motorcycles, brick surfaces, plastered walls, plastic furniture
	SOFT	Wooden surfaces, bicycle, sandstone surfaces, rattan furniture
	MIX	Operation with detergent

## High-pressure operation

### ATTENTION

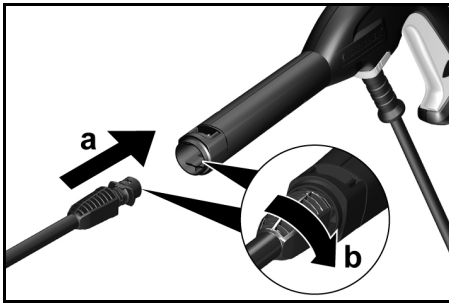
#### Damage to painted or sensitive surfaces

Surfaces are damaged if the spray distance is too close or if an unsuitable spray lance is chosen.

Keep at least 30 cm spray distance when cleaning painted surfaces.

Do not clean car tires, paint or delicate surfaces such as wood with the dirt blaster.

1. Insert a spray lance into the high-pressure gun and lock it into position by turning it 90°.



2. Switch on the device ("I/ON").
3. Unlock the trigger of the high-pressure gun.
4. Press the trigger of the high-pressure gun.  
The device switches on.

## Operation with washing brush

### ATTENTION

#### Paint damage

Damage to surfaces due to contaminated washing brush

Make sure the washing brush is free of dirt or other particles before you use it.

#### Note

When using washing brushes, the device works with low pressure. Therefore, detergents can be added.

1. Insert the washing brush into the high-pressure gun and fasten it by turning it 90°.

## Operation with detergent

### ⚠ DANGER

#### Failure to observe the safety data sheet

Serious damage to health due to improper use of the detergent.

Observe the safety data sheet of the detergent manufacturer, in particular the instructions for personal protective equipment.

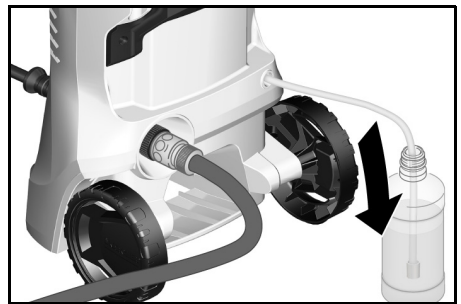
#### Note

Detergents may only be added at low pressure.

#### Note

KÄRCHER detergents ensure fault-free operation. Ask us for a consultation, request our catalog or our detergent information sheets.

1. Pull the desired length of the detergent suction hose out of the casing.
2. Hang the detergent suction hose in a container with detergent solution.



3. Use the Click-Vario Power spray lance.
4. Turn the spray lance to "MIX".  
During operation, the detergent solution is mixed into the water stream.

5. Optionally use the foam nozzle.
  - a Connect the foam nozzle to the detergent tank.
  - b Insert the foam nozzle into the high-pressure gun and secure it in place by turning it 90°.

### Recommended cleaning method

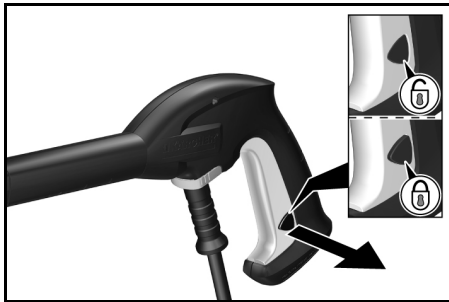
1. Spray the detergent sparingly on the dry surface and let it work for a while (do not let it dry).
2. Rinse off the loosened dirt with the high-pressure jet.

### After operation with detergent

1. Rinse the device with clear water for approx. 30 seconds.

### Interrupting operation

1. Release the trigger of the high-pressure gun.  
When the trigger is released, the device switches off. The high pressure in the system is maintained.
2. Lock the trigger of the high-pressure gun.



3. Set the high-pressure gun with the spray lance in the parking position.
4. For work breaks longer than 5 minutes, switch off the device "0/OFF".

## Ending operation

### ⚠ CAUTION

#### Pressure in the system

Injuries due to uncontrolled water escaping under high-pressure. Only disconnect the high-pressure hose from the high-pressure gun or the device if there is no pressure in the system.

1. Release the trigger of the high-pressure gun.
2. Close the water tap.
3. Press the trigger of the high-pressure gun for 30 seconds.  
The pressure still remaining in the system is released.
4. Release the trigger of the high-pressure gun.
5. Lock the trigger of the high-pressure gun.
6. Disconnect the device from the water supply.
7. Switch off the device "0/OFF".
8. Pull the GFCI plug out of the outlet.

## Transport

### ⚠ CAUTION

#### Failure to observe the weight

Risk of injury and damage  
Be aware of the weight of the device during transportation.

#### Carrying the device

1. Lift the device by the carrying handle, and carry it.

#### Pulling the device

1. Pull out the transport handle.
2. Pull the device by the transport handle.

#### Transporting the device in a vehicle

3. Secure the device against shifting and tipping.

## Storage

### ⚠ CAUTION

**Failure to observe the weight**

Risk of injury and damage

Be aware of the weight of the device during storage.

#### Storing the device

1. Place the device on a level surface.
2. Disconnect the spray lance from the high-pressure gun.
3. Disconnect the high-pressure gun from the high-pressure hose.
4. Disconnect the high-pressure hose from the device.
5. Store the high-pressure hose on the device.
6. Store the power-supply cord and accessories on the device.

Observe the additional notes before storing the device for a long period of time, see chapter *Care and service*.

#### Frost protection

### ATTENTION

**Danger of frost**

Incompletely emptied devices can be destroyed by frost.

Completely empty the device and accessories.

**Do not store outdoors!**

To avoid damage:

The following requirements must be satisfied:

- The device is disconnected from the water supply.
  - The high-pressure hose is removed.
1. Switch the device on "I/ON".
  2. Wait for a maximum of 1 minute until no more water escapes from the high-pressure connection.
  3. Switch off the device.
  4. Store the device together with all accessories in a frost-save room.

## Care and service

### ⚠ DANGER

**Danger of electric shock**

Injuries due to touching live parts

Switch off the device.

Remove the GFCI plug.

The device is maintenance-free, so it is not necessary to carry out regular maintenance work.

#### Clean the sieve in the water connection

### ATTENTION

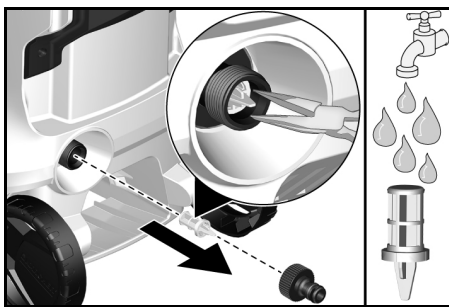
**Damaged sieve in the water connection**

Damage to the device due to water contamination

Check the sieve for damage before inserting it in the water connection.

If necessary, clean the sieve in the water connection.

1. Remove the coupling from the water connection.
2. Pull out the sieve with flat pliers.
3. Clean the sieve under running water.

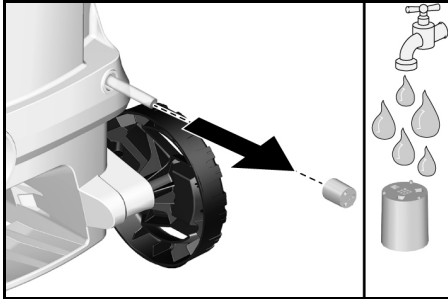


4. Insert the sieve into the water connection.

## Clean the detergent filter

Clean the detergent filter before prolonged storage.

1. Remove the filter from the detergent suction hose.
2. Clean the filter under running water.



## Troubleshooting guide

Malfunctions often have simple causes that you can remedy yourself using the following overview. When in doubt, or in the case of malfunctions not mentioned here, please contact your authorized Customer Service.

### **⚠ DANGER**

#### **Risk of electric shock**

Injuries due to touching live parts

Switch off the device.

Remove the GFCI plug.

#### **Device not running**

1. Press the trigger of the high-pressure gun.  
The device switches on.
2. Check if the voltage specified on the type plate matches the voltage of the power source.
3. Check the power-supply cord for damage.

#### **Device does not reach required pressure**

The water supply is too low

1. Open the water tap completely.
2. Check the water inlet for sufficient flow rate.

The sieve in the water connection is contaminated.

1. Pull out the sieve in the water connection with flat pliers.
2. Clean the sieve under running water.

There is air in the device.

1. Vent the device:
  - a Switch on the device for a maximum of 2 minutes without the spray lance connected.
  - b Press the trigger of high-pressure gun and wait until water comes out of the high-pressure gun without bubbles.
  - c Connect the spray lance.

#### **Strong pressure fluctuations**

1. Clean the high-pressure nozzle:
  - a Remove contamination from the nozzle drill with a needle.
  - b Rinse the high-pressure nozzle with water from the front.
2. Check the water supply volume.

#### **Device leaking**

1. A slight leakage in the device is due to technical reasons. In case of severe leakage, contact an authorized Customer Service center.

#### **Detergent is not sucked in**

1. Use the Click-Vario Power spray lance and turn it to "MIX".
2. Clean the filter on the detergent suction hose.
3. Check the detergent suction hose for kink points.

## Technical data

### Electrical connection

Voltage	V	120
Phase	~	1
Frequency	Hz	60
Power rating	kW	1,5

### Water connection

Feed pressure (max.)	MPa	1,2
	psi	175
Input temperature (max.)	°C	40
	°F	104
Input amount (min.)	l/min	8

### Device performance data

Operating pressure	MPa	10
Max. pressure	MPa	11,7
	psi	1700
Water flow rate	l/min	4,7
Maximum flow rate	l/min	5,5
	gpm	1.45
Detergent flow rate	l/min	0,3
Hand-arm vibration value	m/s <sup>2</sup>	1,8
Uncertainty K	m/s <sup>2</sup>	0,7
Sound pressure level L <sub>pA</sub>	dB(A)	77
Uncertainty K <sub>pA</sub>	dB(A)	3

### Dimensions and weights

Typical operating weight	kg	6,1
Length	mm	246
Width	mm	280
Height	mm	586

Subject to technical modifications.

## Contenu

Remarques générales.....	17
KÄRCHER Home & Garden App .....	17
Service à la clientèle .....	17
Consignes de sécurité.....	18
Responsabilité du propriétaire/ utilisateur .....	21
Utilisation conforme.....	21
Accessoires et pièces de rechange ...	21
Etendue de livraison.....	21
Description de l'appareil.....	22
Dispositifs de sécurité .....	23
Montage .....	24
Mise en service .....	24
Fonctionnement .....	25
Transport.....	28
Stockage .....	28
Entretien et maintenance .....	29
Dépannage en cas de pannes .....	30
Caractéristiques techniques.....	31

-----  
**LIRE TOUTES LES  
INSTRUCTIONS  
AVANT L'UTILISATION  
DE CETTE MACHINE**  
-----

**CONSERVER CES  
INSTRUCTIONS**  
-----



## Remarques générales



Veillez lire ce manuel d'instructions original avant la première utilisation de votre appareil et agissez conformément. Conservez le manuel d'instructions original pour une utilisation ultérieure ou pour le propriétaire suivant.

## KÄRCHER Home & Garden App

KÄRCHER Home & Garden App contient :

- des informations sur le montage et la mise en service
- des informations sur les domaines d'application
- des trucs et astuces
- une FAQ avec détection des pannes détaillée
- la connexion avec le centre de service KÄRCHER

L'application peut être téléchargée ici :



### Marque déposée

- QR-Code<sup>®</sup> est une marque déposée de DENSO WAVE INCORPORATED.
- Google Play<sup>™</sup> et Android<sup>™</sup> sont des marques ou des marques déposées de Google Inc.
- Apple<sup>®</sup> et App store<sup>®</sup> sont des marques ou des marques déposées de Apple Inc.

## Service à la clientèle

### Enregistrement

Pour obtenir une réponse à toute question ou de l'aide pour tout problème, votre appareil doit être enregistré.

Vous pouvez enregistrer votre appareil sur [www.karcher-register.com](http://www.karcher-register.com) s'il est situé aux États-Unis, sur [www.karcher.ca](http://www.karcher.ca) s'il est situé au Canada, ou sur [www.karcher.com/mx](http://www.karcher.com/mx) s'il est situé au Mexique.

### Garantie

Dans le cas d'une réclamation sous garantie, vous pouvez contacter le service à la clientèle. Veuillez utiliser les coordonnées ci-dessous pour les États-Unis, le Canada ou le Mexique. Vous DEVEZ fournir votre preuve d'achat pour déposer une réclamation sous garantie par courriel, téléphone ou fax.

### Service à la clientèle — États-Unis

Vous pouvez contacter notre service à la clientèle par téléphone, au **1-800-537-4129**, ou par l'intermédiaire du site web, sous [www.karcher.com/us](http://www.karcher.com/us).

### Service à la clientèle — Canada

Vous pouvez contacter notre service à la clientèle par téléphone, au **1-800-465-4980**, ou par l'intermédiaire du site web, sous [www.karcher.com/ca](http://www.karcher.com/ca).

### Service à la clientèle — Mexique

Vous pouvez contacter notre service à la clientèle par téléphone, au **01-800-024-13-13**, ou par l'intermédiaire du site web, sous [www.karcher.com/mx](http://www.karcher.com/mx).

## Consignes de sécurité

### Niveaux de danger

#### DANGER

- Indique un danger immédiat qui peut entraîner de graves blessures corporelles ou la mort.

#### AVERTISSEMENT

- Indique une situation potentiellement dangereuse qui peut entraîner de graves blessures corporelles ou la mort.

#### PRÉCAUTION

- Indique une situation potentiellement dangereuse qui peut entraîner des blessures légères.

#### ATTENTION

- Indique une situation potentiellement dangereuse qui peut entraîner des dommages matériels.

### CONSIGNES DE SECURITE IMPORTANTES

Veuillez observer les mesures de prudence fondamentales, y compris les suivantes lors de l'utilisation de l'appareil:

#### DANGER

- Risque d'asphyxie. Tenez le film d'emballage hors de portée des enfants.
- Tout fonctionnement dans des atmosphères explosives est interdit.

#### AVERTISSEMENT

##### Risque d'électrocution

- Inspecter le cordon avant utilisation. Ne pas utiliser l'appareil si le cordon est endommagé. Un câble d'alimentation endommagé doit immédiatement être remplacé par le service après-vente ou un électricien agréé. Ne pas mettre en service un appareil avec un câble d'alimentation électrique endommagé.

- Maintenir tous les raccordements secs et éloignés du sol.
- Ne pas toucher la fiche avec les mains mouillées.
- Ne brancher que sur des circuits électriques individuels.
- Il est dangereux de trop arroser le matériel et les câbles électriques.

#### AVERTISSEMENT

- N'utilisez pas l'appareil si un cordon d'alimentation ou des pièces importantes de la machine sont endommagés, par ex dispositifs de sécurité, flexibles haute pression, pistolet à gâchette.
- Les flexibles haute pression, les armatures et les raccords sont importants pour la sécurité de l'appareil. N'utiliser que des flexibles haute pression, des armatures et des raccords recommandés par le fabricant.
- Cet appareil est capable de produire une haute pression (voir le chapitre Caractéristiques techniques pour connaître les valeurs). Pour éviter toute casse ou blessure, ne pas utiliser cet appareil avec des composants calibrés pour des pressions inférieures à ces valeurs (comprenant notamment les pistolets, flexibles et raccords de flexible).
- Si cet appareil est raccordé à un réseau d'eau potable, ce dernier doit être protégé contre les retours.
- L'eau qui a traversé les clapets anti-retour est considérée comme non potable.

#### AVERTISSEMENT

- Cet appareil n'est pas destiné à être utilisé par des enfants et d'autres personnes dont les capacités physiques, sensorielles ou mentales ou le manque d'expérience et de connaissances les empêchent d'utiliser.

liser l'appareil en toute sécurité sans la supervision ou les instructions d'une personne responsable.

- Les enfants doivent être surveillés par une personne responsable pour s'assurer qu'ils ne jouent pas avec l'appareil.
- N'utilisez pas l'appareil à portée de personnes à moins qu'elles ne portent des vêtements de protection.
- Rester alerte, se concentrer sur ce que vous faites.
- Ne pas exploiter l'appareil si vous êtes fatigué(e) ou sous l'influence de drogues, de l'alcool ou de médicaments.
- Ne vous penchez pas trop ou ne vous tenez pas debout sur un support instable. Gardez une bonne assise et un bon équilibre à tout moment. Cela permet un meilleur contrôle du produit dans des situations inattendues.

## **⚠ AVERTISSEMENT**

### **Risque d'explosion**

- Ne pas pulvériser de liquides inflammables.
- Ne pas utiliser d'acides, d'alcalins, de solvants ni de liquides ou de matières inflammables ou toxiques dans cet appareil. Ces produits peuvent entraîner des blessures physiques pour l'opérateur et des dommages irréversibles pour l'appareil.

## **⚠ AVERTISSEMENT**

### **Risque de blessure aux yeux – Le spray peut éclabousser ou propulser des objets.**

- Portez toujours une protection oculaire correctement calibrée comme des lunettes de sécurité ou un écran facial pendant la pulvérisation. (Les lunettes de protection n'offrent pas une protection complète.)

## **⚠ AVERTISSEMENT**

### **Risque d'injection ou de blessure de personnes – Ne pas diriger le jet de pulvérisation vers des personnes.**

- Les jets haute pression peuvent être dangereux s'ils sont mal utilisés. Ne pas diriger le jet vers des personnes, des animaux, des équipements électriques ni l'unité.
- Ne jamais diriger le jet haute pression sur soi-même ni sur d'autres personnes dans le but de nettoyer les vêtements ou les chaussures.
- Sachez comment arrêter le produit et purger rapidement les pressions. Maîtrisez parfaitement les commandes.
- Mettre hors tension et hors pression et retirer la fiche secteur avant l'entretien, le nettoyage de l'appareil ou le retrait de pièces.

## **⚠ AVERTISSEMENT**

- Lors de l'utilisation de nettoyeurs haute pression, des aérosols peuvent se former. L'inhalation d'aérosols peut être dangereuse pour la santé.
- Selon l'application, des buses blindées peuvent être utilisées pour le nettoyage à haute pression, ce qui réduira considérablement l'émission d'aérosols hydratés. Cependant, toutes les applications ne permettent pas l'utilisation d'un tel appareil. Si les buses blindées ne sont pas applicables pour la protection contre les aérosols, un masque respiratoire de classe FFP 2 ou équivalent peut être nécessaire, en fonction de l'environnement de nettoyage.

## **⚠ PRÉCAUTION**

### **Le pistolet rebondit**

- Le tenir fermement des deux mains. Le jet d'eau sortant de la buse haute pression provoque une force de recul sur la poignée pistolet. Veiller à adopter une position stable et à tenir la poignée et la lance fermement.

## **ATTENTION**

- Cet appareil a été conçu pour être utilisé avec les détergents préconisés par le fabricant. L'utilisation d'autres détergents peut affecter le fonctionnement de l'appareil et annuler la garantie.
- Respecter les consignes d'entretien figurant dans le manuel.

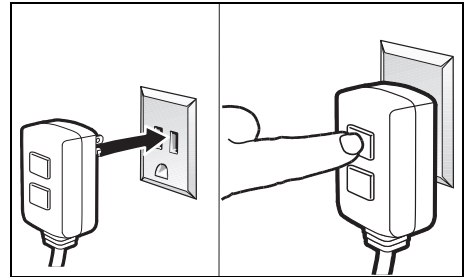
## **DISJONCTEUR COUPE-CIRCUIT DE COURANT DE DEFAULT**

Cet appareil est fourni avec un disjoncteur différentiel de fuite à la terre (GFCI) intégré dans la fiche du cordon d'alimentation pour votre protection. Cet appareil offre une protection supplémentaire contre le risque de choc électrique. Si le remplacement du disjoncteur de fuite à la terre ou du cordon s'avérait nécessaire, n'utilisez que des pièces de rechange identiques.

La Commission de la sécurité des produits de consommation vous recommande de tester tous les GFCI une fois par mois. Étant donné que la fréquence d'utilisation du nettoyeur haute pression varie, nous vous recommandons de tester le GFCI comme partie intégrante de votre procédure de démarrage à chaque fois que vous utilisez votre nettoyeur haute pression. Il peut être nécessaire de le réinitialiser avant de travailler avec le nettoyeur haute pression. Pour savoir comment effectuer le test GFCI et comment le

réinitialiser, visitez <http://www.karcher-help.com> et recherchez GFCI pour plus d'instructions.

**Ne pas mettre l'appareil en service si le test ci-dessus échoue.**



Remarque: L'apparence effective du disjoncteur différentiel peut différer de l'illustration.

## **RALLONGE**

N'utilisez pas de rallonge avec cet appareil.

## **ENTRETIEN DES APPAREILS A DOUBLE ISOLATION**

Dans un appareil à double isolation, deux isolations distinctes remplacent la mise à la terre. L'appareil à double isolation n'est pourvu d'aucun dispositif de mise à la terre et un tel dispositif ne doit pas être ajouté. L'entretien d'un appareil à double isolation demande beaucoup de soins ainsi qu'une bonne connaissance du système et ne devrait être effectué que par un technicien d'entretien qualifié. Les pièces de rechange d'un appareil à double isolation doivent être identiques aux pièces originales.

Un produit à double isolation est marqué des mots « DOUBLE INSULATION » ou « DOUBLE INSULATED ». Le symbole "□" peut également être marqué sur le produit.

## ALIMENTATION EN EAU (eau froide uniquement)

### PRÉCAUTION

Lors du raccordement de l'arrivée d'eau au réseau d'alimentation en eau, respecter les réglementations locales du fournisseur d'eau. Dans certaines zones, l'unité ne peut pas être raccordée directement à l'alimentation en eau potable publique. Ce, afin de garantir l'absence de retour de produits chimiques dans l'alimentation en eau. Il est, par exemple, autorisé de raccorder l'eau à un bac de collecte ou un dispositif empêchant les reflux.

- Des impuretés dans l'eau d'alimentation endommagent l'unité. Afin d'empêcher ce risque, nous recommandons le montage d'un filtre à eau.
- Ne jamais utiliser le nettoyeur sous pression pour aspirer de l'eau contaminée par des solvants tels que des diluants pour peinture, de l'essence, de l'huile, etc.
- Empêcher les débris d'être aspirés dans l'unité en utilisant de l'eau de source propre.

## Responsabilité du propriétaire/utilisateur

Le propriétaire et/ou l'utilisateur doivent comprendre les instructions de fonctionnement et les avertissements du fabricant avant d'utiliser le nettoyeur sous pression.

Les informations d'avertissement doivent être soulignées et comprises. Si l'opérateur ne parle pas l'anglais couramment, le client/propriétaire doit lire les instructions et avertissements du fabricant, en discuter avec l'opérateur dans sa langue maternelle et s'assurer que celui-ci en comprend le contenu. Le propriétaire et/ou l'utilisateur doivent étudier et conserver les instructions du fabricant en vue d'une utilisation future.

## Utilisation conforme

### ***Pour usage domestique uniquement !***

Le nettoyeur haute pression est prévu pour le nettoyage de machines, véhicules, bâtiments, outils, façades, terrasses, appareils de jardin, etc. avec le jet d'eau haute pression.

## Accessoires et pièces de rechange

Utiliser exclusivement des accessoires et pièces de rechange originaux. Ceux-ci garantissent le fonctionnement sûr et sans défaut de votre appareil.

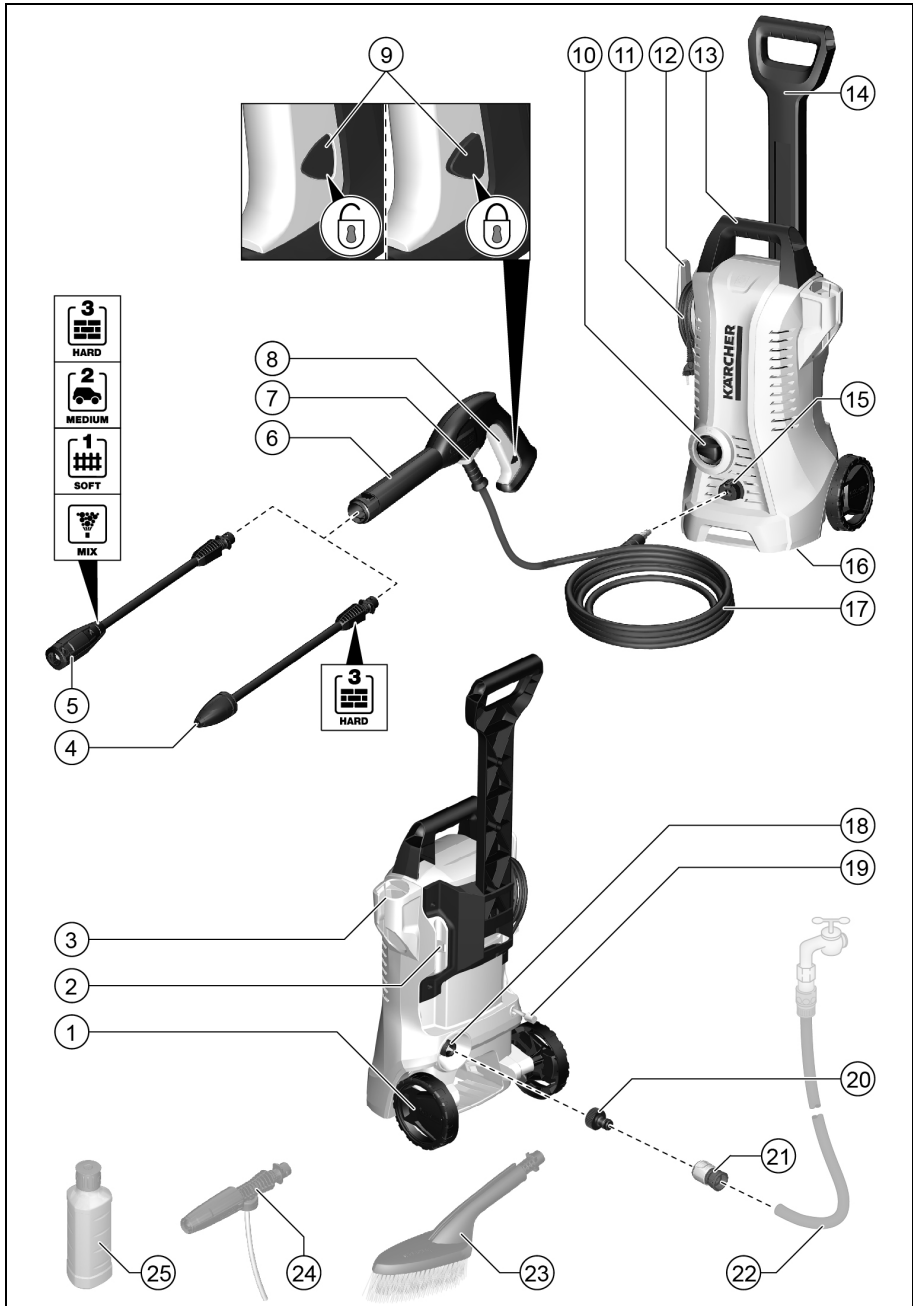
Des informations sur les accessoires et pièces de rechange sont disponibles sur le site Internet [www.kaercher.com](http://www.kaercher.com).

## Etendue de livraison

L'étendue de livraison de l'appareil est illustrée sur l'emballage. Lors du déballage, vérifiez que le contenu de la livraison est complet. Si un accessoire manque ou en cas de dommage dû au transport, veuillez informer votre distributeur.

## Description de l'appareil

Le présent manuel d'utilisation décrit l'équipement complet. L'étendue de livraison varie selon les modèles (voir l'emballage).



## Dispositifs de sécurité

- ① Roue de transport
  - ② Rangement des lances
  - ③ Rangement / position de stationnement du pistolet haute pression
  - ④ Lance Rotabuse Power Control pour encrassement tenace, niveau de pression : HARD
  - ⑤ Lance Power Control Click Vario Power pour les tâches de nettoyage les plus courantes, niveaux de pression : HARD / MEDIUM / SOFT / MIX
  - ⑥ Pistolet haute pression Power Control
  - ⑦ Attache pour raccorder/débrancher le flexible haute pression
  - ⑧ Levier du pistolet haute pression
  - ⑨ Verrouillage du pistolet haute pression
  - ⑩ Interrupteur principal « 0/OFF »/« I/ON »
  - ⑪ Câble d'alimentation électrique avec fiche secteur
  - ⑫ Crochet de rangement pour câble d'alimentation électrique
  - ⑬ Poignée de transport
  - ⑭ Poignée de transport, extensible
  - ⑮ Coupleur rapide pour flexible haute pression
  - ⑯ Plaque signalétique
  - ⑰ Flexible haute pression
  - ⑱ Raccord d'alimentation en eau avec tamis intégré
  - ⑲ Tuyau d'aspiration du détergent
  - ⑳ Raccord pour le raccord d'alimentation en eau
  - ㉑ Raccord pour tuyau d'arrosage
  - ㉒ \*\* Tuyau d'arrosage (renforcé, diamètre d'au moins 1/2 pouce (13 mm), longueur d'au moins 7,5 m)
  - ㉓ Brosse de lavage
  - ㉔ Buse à mousse pour une mousse détergente puissante
  - ㉕ Réservoir de détergent
- \*\* également nécessaire

## ⚠ PRÉCAUTION

### Dispositifs de sécurité manquants ou modifiés

Les dispositifs de sécurité servent à vous protéger.

Ne modifiez, ni ne contournez jamais les dispositifs de sécurité.

### Interrupteur principal

L'interrupteur principal évite un fonctionnement involontaire de l'appareil.

### Verrouillage du pistolet haute pression

La fermeture de sécurité de la poignée pistolet empêche l'enclenchement accidentel du jet. Ce dispositif de sécurité NE verrouille PAS le jet en position MARCHÉ.

### Fonction Auto-Stop

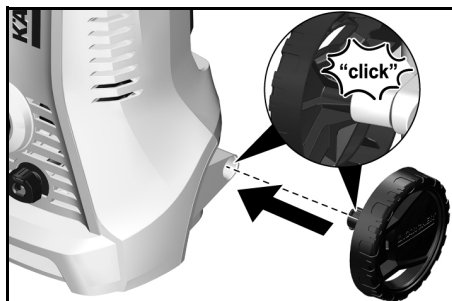
Lorsque le levier sur le pistolet haute pression est relâché, le pressostat désactive la pompe et arrête le jet haute pression. La pompe est réactivée lorsque le levier est actionné.

## Montage

Monter les pièces détachées fournies sur l'appareil avant sa mise en service.

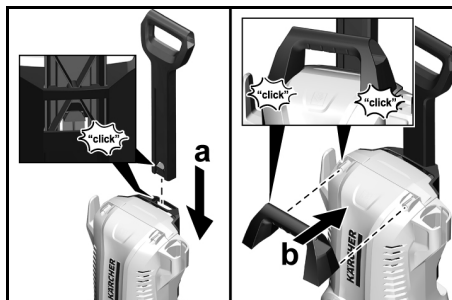
### Montage des roues

1. Fixer et bloquer les roues sur l'appareil.



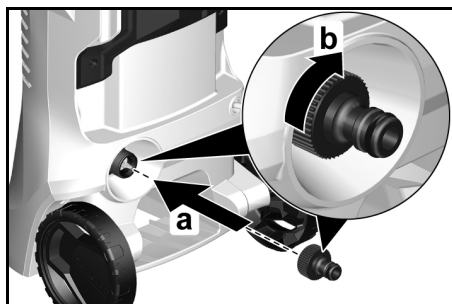
### Monter les poignées

1. Placer la poignée de transport.
2. Placer la poignée de transport.



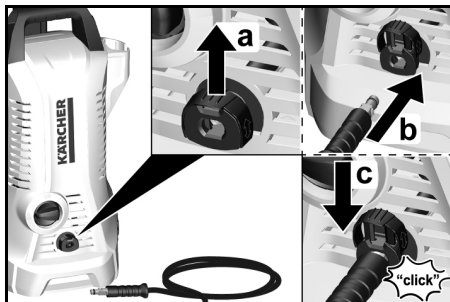
### Montage de l'accouplement du raccord d'alimentation en eau

1. Visser l'accouplement du raccord d'alimentation en eau sur le raccord d'alimentation en eau de l'appareil.

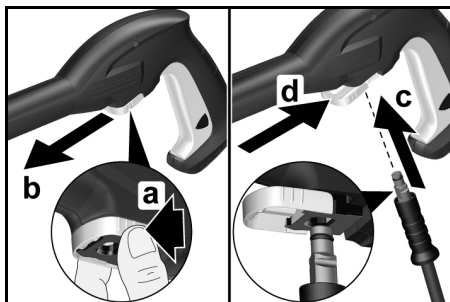


## Mise en service

1. Placer l'appareil sur une surface plane.
2. Brancher le flexible haute pression sur le coupleur rapide jusqu'à ce qu'il s'enclenche de manière audible.



3. Relier le flexible haute pression au pistolet haute pression.
  - a Serrer l'attache.
  - b Retirer l'attache.
  - c Enfiler le flexible haute pression.
  - d Presser l'attache jusqu'à ce qu'elle s'enclenche.



4. Vérifier si la connexion est correcte en tirant sur le flexible haute pression.
5. Brancher la fiche secteur dans une prise de courant.

### Alimentation en eau

La puissance raccordée est indiquée sur la plaque signalétique ou dans le chapitre des *Caractéristiques techniques*.



Respecter les directives de l'entreprise de distribution d'eau.

## ATTENTION

### Dommages dus à de l'eau impure

Les impuretés contenues dans l'eau peuvent endommager la pompe et les accessoires.

Pour les protéger, KÄRCHER recommande d'utiliser le filtre à eau KÄRCHER (accessoire spécial, référence 4.730-059).

### Raccordement à une conduite d'eau

## ATTENTION

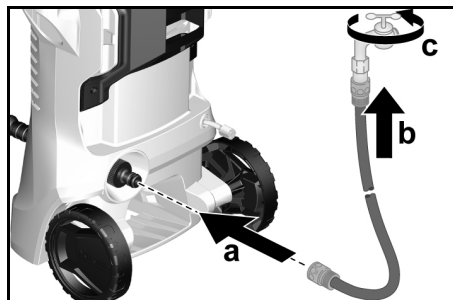
### Coupleur rapide du flexible avec Aquastop sur le raccord d'alimentation en eau de l'appareil

Détérioration de la pompe

Ne jamais utiliser le coupleur rapide du flexible avec Aquastop sur le raccord d'alimentation en eau de l'appareil.

Vous pouvez utiliser un raccord Aquastop sur le robinet d'eau.

1. Vissez le raccord de tuyau fourni sur l'extrémité de votre tuyau d'arrosage.
2. Enficher le tuyau d'arrosage sur l'accouplement du raccord d'alimentation en eau.
3. Raccorder le tuyau d'arrosage à la conduite d'eau.
4. Ouvrir complètement le robinet d'eau.



## Fonctionnement

## ATTENTION

### Marche à sec de la pompe





Endommagement de l'appareil

Si l'appareil n'établit pas la pression dans un délai de 2 minutes, le mettre hors tension et procéder selon les indications fournies dans le chapitre *Dépannage en cas de pannes*.

### Système Pressure Control

#### Remarque

La sensibilité des matériaux peut varier considérablement en fonction de l'âge et de l'état. Les recommandations ne sont donc pas contraignantes.

Affichage	Niveau de pression	Recommandé pour p.ex.
	HARD	Terrasses en pierre en pavés ou béton désactivé, asphalte, surfaces métalliques, ustensiles de jardin (brouette, bêche, etc.)
	MEDIUM	Voitures / motos, surfaces en briques, murs enduits, meubles en matière synthétique
	SOFT	Surfaces en bois, vélo, surfaces en grès, meubles en rotin
	MIX	Fonctionnement avec détergent

## Fonctionnement avec la haute pression

### ATTENTION

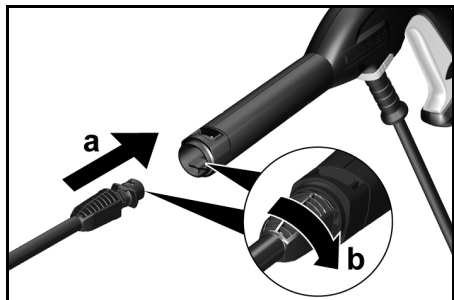
#### Détérioration de surfaces peintes ou sensibles

Des surfaces sont endommagées lorsque la distance par rapport au jet est trop faible ou lorsque le choix de la lance est inapproprié.

Respecter au moins un écartement du jet de 30 cm lors du nettoyage de surfaces peintes.

Ne pas nettoyer des pneus de voiture, de la peinture ou des surfaces sensibles telles que le bois avec la Rotabuse.

1. Enficher une lance dans le pistolet haute pression et la fixer par une rotation de 90°.



2. Mettre l'appareil sous tension (« I / ON »).
3. Déverrouiller le levier du pistolet haute pression.
4. Appuyer sur le levier du pistolet haute pression.  
L'appareil démarre.

## Fonctionnement avec brosse de lavage

### ATTENTION

#### Dommages de peinture

Endommagement de surfaces dus à une brosse de lavage encrassée  
S'assurer que la brosse de lavage ne contient pas de particules de saletés ou autres avant de l'utiliser.

#### Remarque

L'appareil fonctionne à basse pression lorsque des brosses de lavage sont utilisées. Il est donc possible de mélanger des détergents.

1. Enficher la brosse de lavage dans le pistolet haute pression et la fixer par une rotation de 90°.

## Fonctionnement avec détergent

### ⚠ DANGER

#### Non-observation de la fiche de données de sécurité

Graves dommages pour la santé dus à une utilisation inappropriée du détergent

Respecter la fiche de données de sécurité du fabricant du détergent, en particulier les remarques sur l'équipement de protection individuelle.

#### Remarque

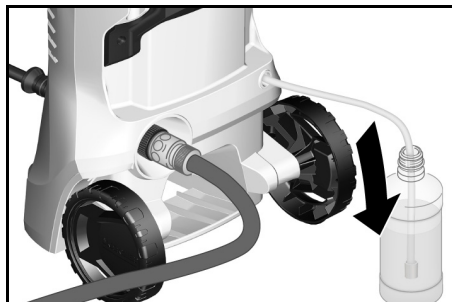
Le détergent doit être uniquement mélangé à basse pression.

#### Remarque

Les détergents KÄRCHER garantissent un fonctionnement sans défaut. Veuillez demander conseil ou commander notre catalogue ou nos fiches d'informations sur les détergents.

1. Sortir le tuyau d'aspiration du détergent de la longueur souhaitée hors du boîtier.

2. suspendre le tuyau d'aspiration du détergent dans un réservoir avec une solution de nettoyage.



3. Utiliser la lance Click Vario Power.
4. Tourner la lance en position « MIX ». En cours de fonctionnement, la solution de nettoyage est mélangée au jet d'eau.
5. Utiliser la buse à mousse en option.
  - a Raccorder la buse à mousse au réservoir de détergent.
  - b Fixer la buse à mousse dans le pistolet haute pression et la fixer par une rotation de 90°.

### Méthode de nettoyage conseillée

1. Vaporiser avec parcimonie le détergent sur la surface sèche et laisser agir (mais pas sécher).
2. Rincer les salissures détachées avec le jet haute pression.

### Après le fonctionnement avec détergent

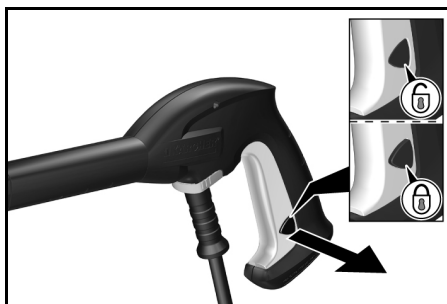
1. Rincer l'appareil à l'eau claire pendant 30 secondes.

### Interrompre le fonctionnement

1. Relâcher le levier du pistolet haute pression.

L'appareil se met hors tension lorsque le levier est relâché. La haute pression demeure dans le système.

2. Verrouiller le levier du pistolet haute pression.



3. Placer le pistolet haute pression et la lance dans la position de stationnement.
4. Mettre l'appareil hors tension « 0/OFF » dans le cas de pauses de travail excédant 5 minutes.

### Terminer l'utilisation

#### ⚠ PRÉCAUTION

#### Pression dans le système

Blessures dues à de l'eau éjectée à haute pression de manière incontrôlée. Ne séparer le flexible haute pression du pistolet haute pression ou de l'appareil que lorsque le système est hors pression.

1. Relâcher le levier du pistolet haute pression.
2. Fermer le robinet d'eau.
3. Appuyer sur le levier du pistolet haute pression pendant 30 secondes.

La pression résiduelle dans le système est évacuée.
4. Relâcher le levier du pistolet haute pression.
5. Verrouiller le levier du pistolet haute pression.
6. Couper l'appareil de l'alimentation en eau.
7. Mettre l'appareil hors pression « 0/OFF ».
8. Retirer la fiche secteur de la prise de courant.

## Transport

### PRÉCAUTION

#### Non-observation du poids

Risque de blessure et d'endommagement

Observer le poids de l'appareil pour le transport.

#### Porter l'appareil

1. Soulever et porter l'appareil par la poignée de transport.

#### Tirer l'appareil

1. Sortir la poignée de transport.
2. Tirer l'appareil par la poignée de transport.

#### Transport de l'appareil dans un véhicule

1. Empêcher l'appareil de glisser et de se renverser.

## Stockage

### PRÉCAUTION

#### Non-observation du poids

Risque de blessure et d'endommagement

Tenir compte du poids de l'appareil pour le stockage.

#### Rangement de l'appareil

1. Placer l'appareil sur une surface plane.
2. Séparer la lance du pistolet haute pression.
3. Séparer le pistolet haute pression du flexible haute pression.
4. Séparer le flexible haute pression de l'appareil.
5. Ranger le flexible haute pression de l'appareil.
6. Ranger le câble d'alimentation électrique et les accessoires sur l'appareil.

Avant le stockage de longue durée, tenir compte des remarques complémentaires, voir chapitre *Entretien et maintenance*.

#### Protection antigel

### ATTENTION

#### Risque de gel

Un appareil pas entièrement vidé peut être endommagé par le gel.

Vider entièrement l'appareil et les accessoires.

#### Ne pas stocker à l'extérieur !

Pour éviter des dommages

Les conditions suivantes doivent être remplies :

- L'appareil est coupé de l'alimentation en eau.
  - Le flexible haute pression est retiré.
1. Mettre l'appareil sous tension « I/ ON ».

2. Attendre maximum 1 minute jusqu'à ce que de l'eau ne sorte plus du raccord haute pression.
3. Éteindre l'appareil.
4. Stockez l'appareil avec tous les accessoires dans une pièce à l'abri du gel à l'intérieur.

## Entretien et maintenance

### **⚠ DANGER**

#### Risque d'électrocution

Blessures dues au contact avec des pièces sous tension

Mettre l'appareil hors tension.

Débrancher la fiche secteur.

L'appareil est exempt de maintenance, c.-à-d. qu'il est inutile d'effectuer des travaux de maintenance réguliers.

### Nettoyer le filtre dans le raccord d'alimentation en eau

## ATTENTION

#### Tamis endommagé dans le raccord d'alimentation en eau

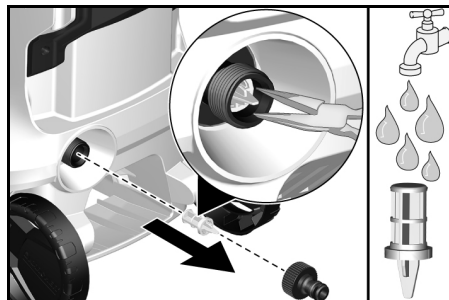
Endommagement de l'appareil dû à de l'eau encrassée

Contrôler si le tamis n'est pas endommagé avant de le placer dans le raccord d'alimentation en eau.

Si nécessaire, nettoyer le tamis dans le raccord d'alimentation en eau.

1. Retirer l'accouplement du raccord d'alimentation en eau.

2. Sortir le tamis à l'aide d'une pince plate.
3. Nettoyer le tamis à l'eau courante.

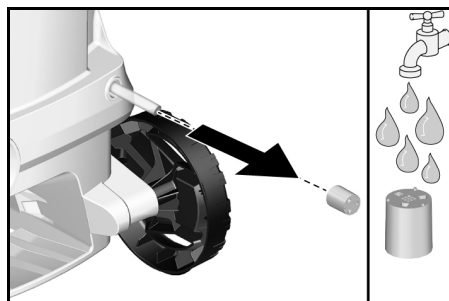


4. Mettre le tamis en place dans le raccord d'alimentation en eau.

### Nettoyer le filtre du détergent

Nettoyer le filtre pour détergent avant tout stockage de longue durée.

1. Retirer le filtre du tuyau d'aspiration du détergent.
2. Nettoyer le filtre à l'eau courante.



## **Dépannage en cas de pannes**

Les pannes ont souvent des causes simples qui peuvent être éliminées soi-même à l'aide de l'aperçu suivant. En cas de doute, ou en absence de mention des pannes, veuillez vous adresser au service après-vente autorisé.

### **⚠ DANGER**

#### **Risque d'électrocution**

Blessures dues au contact avec des pièces sous tension

Mettre l'appareil hors tension.

Débrancher la fiche secteur.

#### **L'appareil ne fonctionne pas**

1. Appuyer sur le levier du pistolet haute pression.  
L'appareil démarre.
2. Vérifier si la tension indiquée sur la plaque signalétique correspond à la tension de la source de courant.
3. Vérifier si le câble d'alimentation électrique n'est pas endommagé.

#### **L'appareil ne se met pas sous pression**

L'alimentation en eau est trop faible

1. Ouvrir complètement le robinet d'eau.
2. S'assurer qu'un débit suffisant est appliqué sur l'arrivée d'eau.

Le tamis dans le raccord d'alimentation en eau est encrassé.

1. Sortir le tamis dans le raccord d'alimentation en eau à l'aide d'une pince plate.
2. Nettoyer le tamis à l'eau courante.

De l'air se trouve dans l'appareil.

1. Purger l'appareil :

- a Mettre l'appareil sous tension pendant maximum 2 minutes sans raccorder la lance.
- b Appuyer sur le pistolet haute pression et attendre que l'eau sorte du pistolet haute pression sans faire de bulles.
- c Raccorder la lance.

#### **Fortes variations de pression**

1. Nettoyer la buse haute pression :
  - a Retirer les salissures de l'orifice de la buse au moyen d'une épingle.
  - b Rincer la buse haute pression par l'avant avec de l'eau.
2. Contrôler le débit d'alimentation de l'eau.

#### **L'appareil n'est pas étanche.**

1. Une faible fuite de l'appareil est purement technique. En cas de forte fuite, commissionner le Service après-vente autorisé.

#### **Le détergent n'est pas aspiré**

1. Utiliser la lance Click Vario Power et la tourner en position « MIX ».
2. Nettoyer le filtre sur le tuyau d'aspiration du détergent.
3. Vérifier si le tuyau d'aspiration du détergent n'est pas plié.

## Caractéristiques techniques

### Raccordement électrique

Tension	V	120
Phase	~	1
Fréquence	Hz	60
Puissance nominale	kW	1,5

### Raccord d'alimentation en eau

Pression d'alimentation (max.)	MPa psi	1,2 175
Température d'alimentation (max.)	°C °F	40 104
Débit d'alimentation (min.)	l/min	8

### Caractéristiques de puissance de l'appareil

Pression de service	MPa	10
Pression max.	MPa psi	11,7 1700
Débit, eau	l/min	4,7
Débit maximal	l/min gpm	5,5 1.45
Débit, détergent	l/min	0,3
Valeur de vibrations main-bras	m/s <sup>2</sup>	1,8
Incertitude K	m/s <sup>2</sup>	0,7
Niveau de pression acoustique L <sub>pA</sub>	dB(A)	77
Incertitude K <sub>pA</sub>	dB(A)	3

### Dimensions et poids

Poids opérationnel typique	kg	6,1
Longueur	mm	246
Largeur	mm	280
Hauteur	mm	586

Sous réserve de modifications techniques.

## Índice de contenidos

Avisos generales.....	32
KÄRCHER Home & Garden App .....	32
Atención al cliente .....	33
Instrucciones de seguridad .....	33
Responsabilidad del propietario/ usuario .....	37
Uso previsto .....	37
Accesorios y recambios .....	37
Volumen de suministro.....	37
Descripción del equipo.....	38
Dispositivos de seguridad .....	39
Montaje .....	40
Puesta en funcionamiento .....	40
Funcionamiento .....	41
Transporte.....	44
Almacenamiento .....	44
Conservación y mantenimiento.....	45
Ayuda en caso de avería .....	46
Datos técnicos .....	47

-----



**LEA TODAS LAS  
INSTRUCCIONES  
ANTES DE UTILIZAR  
ESTA MÁQUINA**

-----

**GUARDAR ESTAS  
INSTRUCCIONES**

-----

## Avisos generales

  Antes de utilizar por primera vez el equipo, lea este manual de instrucciones y sígalo. Conserve el manual de instrucciones para su uso posterior o para propietarios posteriores.

## KÄRCHER Home & Garden App

La aplicación KÄRCHER Home & Garden App contiene:

- Información sobre el montaje y la puesta en funcionamiento
- Información sobre los campos de aplicación
- Consejos y trucos
- Preguntas frecuentes con ayuda detallada en caso de fallos
- Conexión al centro de servicio KÄRCHER

La aplicación se puede descargar aquí:



### Marcas registradas

- El código QR<sup>®</sup> es una marca registrada de DENSO WAVE INCORPORATED.
- Google Play<sup>™</sup> y Android<sup>™</sup> son marcas o marcas registradas de Google Inc.
- Apple<sup>®</sup> y App Store<sup>®</sup> son marcas o marcas registradas de Apple Inc.



## Atención al cliente

### Registro

Debe registrar su dispositivo para poder recibir ayuda con cualquier pregunta o problema que tenga. Puede registrar su dispositivo en **www.karcher-register.com** si se encuentra en los EE. UU., **www.karcher/ca** si se encuentra en Canadá, o **www.karcher.com/mx** si se encuentra en México.

### Garantía

Si tiene una reclamación de garantía, puede contactar al servicio de atención al cliente. Consulte la información de contacto que se indica a continuación para EE.UU., Canadá o México. DEBE proporcionar su comprobante de compra para presentar una reclamación de garantía por correo electrónico, teléfono o fax.

### Servicio al cliente en EE.UU.

Puede comunicarse con nuestro departamento de Atención al Cliente por teléfono al **1-800-537-4129** o en la página web **www.karcher.com/us**.

### Atención al cliente en Canadá

Puede comunicarse con nuestro departamento de Atención al Cliente por teléfono al **1-800-465-4980** o en la página web **www.karcher.com/ca**.

### Servicio al cliente en México

Puede comunicarse con nuestro departamento de Atención al Cliente por teléfono al **01-800-024-13-13** o en la página web **www.karcher.com/mx**.

## Instrucciones de seguridad

### Niveles de peligro

### PELIGRO

- Aviso de un peligro inminente que produce lesiones corporales graves o la muerte.

### ADVERTENCIA

- Aviso de una posible situación peligrosa que puede producir lesiones corporales graves o la muerte.

### PRECAUCIÓN

- Aviso de una posible situación peligrosa que puede producir lesiones corporales leves.

### CUIDADO

- Aviso de una posible situación peligrosa que puede producir daños materiales.

### INTRUCCIONES DE SEGURIDAD IMPORTANTES

Al utilizar el equipo, deben tenerse en cuenta todas las precauciones básicas de seguridad, entre las que se incluyen las siguientes:

### PELIGRO

- Riesgo de asfixia. Mantenga la película del embalaje fuera del alcance de los niños.
- El servicio en atmósferas explosivas está prohibido.

### ADVERTENCIA

#### Riesgo de electrocute

- Inspeccionar el cable antes de usarlo. No utilizar el cable si presenta daños. Si el cable de alimentación está dañado solicitar al servicio de postventa / electricista autorizado que lo cambie inmediatamente. No operar el equipo con un cable de alimentación dañado.

- Mantener todas las conexiones secas y alejadas del suelo.
- No manipular el conector con las manos mojadas.
- Conectar el equipo únicamente a un circuito derivado individual.

## **ADVERTENCIA**

- No utilice el dispositivo si un cable de alimentación o partes importantes de la máquina están dañadas, p. dispositivos de seguridad, mangueras de alta presión, pistola de gatillo.
- Las mangueras de alta presión, fijaciones y acoplamientos son importantes para la seguridad del equipo. Utilizar solo las mangueras de alta presión, fijaciones y acoplamientos recomendados por el fabricante.
- Este equipo es capaz de generar alta presión (consultar los valores en el capítulo Datos técnicos). Para evitar roturas y lesiones, no utilizar este equipo con componentes cuyos valores se encuentren por debajo de estos (incluido pero no limitado a pistolas pulverizadoras, mangueras y conexiones de mangueras).
- Si la conexión se realiza a un sistema de agua potable, el sistema debe protegerse contra el reflujo.
- El agua que ha fluído a través de las válvulas anti retorno se considera no potable.

## **ADVERTENCIA**

- Este dispositivo no está diseñado para que lo usen niños y otras personas cuyas capacidades físicas, sensoriales o mentales o la falta de experiencia y conocimiento les impidan usar el aparato de manera segura sin la supervisión o instrucción de una persona responsable.

- Los niños deben ser supervisados por una persona responsable para asegurarse de que no jueguen con el dispositivo.
- No utilice el dispositivo dentro del alcance de las personas a menos que usen ropa protectora.
- Evite cualquier despiste, no pierda la concentración.
- No use el dispositivo si está cansado o bajo la influencia de las drogas, el alcohol o cualquier medicación.
- No se exceda ni se pare sobre un soporte inestable. Mantenga la postura y el equilibrio en todo momento. Esto permite un mejor control del producto en situaciones inesperadas.

## **ADVERTENCIA**

### **Riesgo de explosión**

- No pulverizar líquidos inflamables.
- No utilizar ácido, sustancias alcalinas, disolventes o cualquier otro material o líquido tóxico o inflamable en este equipo. Estos productos pueden causar lesiones físicas al operario y daños irreversibles en el equipo.

## **ADVERTENCIA**

### **Riesgo de lesiones oculares: el aerosol puede salpicar o impulsar objetos.**

- Siempre use protección para los ojos con la calificación adecuada, como gafas de seguridad o careta, mientras rocía. (Las gafas de seguridad no brindan una protección completa).

## **⚠ ADVERTENCIA**

**Riesgo de inyección o lesiones: Alta presión. Manténgase alejado de la boquilla.**

- Los chorros de alta presión pueden ser peligrosos si no se usan adecuadamente. No dirigir el chorro hacia personas, animales, dispositivos eléctricos o hacia la unidad.
- No dirigir el chorro de alta presión hacia uno mismo o hacia otros para limpiar ropa o calzado.
- Es necesario saber cómo detener el producto y descargar la presión rápidamente. Es necesario familiarizarse completamente con los controles.
- Antes realizar reparaciones, limpiar el equipo o retirar cualquier pieza, se debe apagar la alimentación, extraer el conector y descargar la presión.

## **⚠ ADVERTENCIA**

- Durante el uso de limpiadores de alta presión, se pueden formar aerosoles. La inhalación de aerosoles puede ser peligrosa para la salud.
- Dependiendo de la aplicación, se pueden usar boquillas protegidas para la limpieza a alta presión, lo que reducirá drásticamente la emisión de aerosoles hidratados. Sin embargo, no todas las aplicaciones permiten el uso de dicho dispositivo. Si las boquillas protegidas no son aplicables para la protección contra aerosoles, es posible que se necesite una máscara respiratoria de clase FFP 2 o equivalente, según el entorno de limpieza.

## **⚠ PRECAUCIÓN**

**La pistola ejerce fuerza hacia atrás**

- Por lo que se debe sostener con ambas manos.  
Mediante el chorro de agua que sale de la boquilla de alta presión, se ejerce una fuerza de retroceso sobre la pistola pulverizador. Mantener el equipo estable, sujetar bien la pistola pulverizador y el tubo pulverizador.

## **CUIDADO**

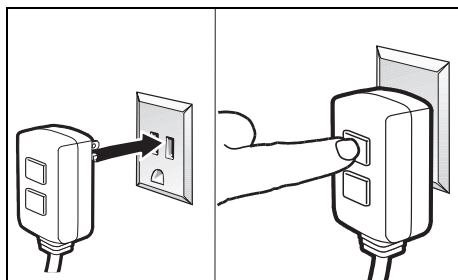
- Este equipo ha sido diseñado para su uso con los detergentes de limpieza recomendados por el fabricante. La utilización de otros detergentes podrá afectar al funcionamiento del equipo y anular la garantía.
- Seguir las instrucciones de mantenimiento especificadas en el manual.

## PROTECCIÓN DEL INTERRUPTOR DE CIRCUITO POR FALLA A TIERRA

Este equipo se suministra con un interruptor de circuito por falla a tierra (GFCI) montado en el conector del cable de alimentación para tu protección. Este dispositivo proporciona protección adicional contra el riesgo de descarga eléctrica. En caso de que sea necesario reemplazar el interruptor de circuito de falla a tierra o el cable, use solo piezas de repuesto idénticas.

La Comisión de Seguridad de Productos para el Consumidor recomienda que pruebe todos los GFCI una vez al mes. Dado que la frecuencia de uso de la limpiadora de alta presión varía, recomendamos que pruebe el GFCI como parte de su procedimiento de arranque cada que use su limpiadora de presión. Es posible que deba reiniciarse antes de trabajar con la limpiadora de alta presión. Para aprender cómo realizar la prueba GFCI y cómo restablecerla, visite <http://www.karcher-help.com> y busque GFCI para obtener más instrucciones.

**No usar si el test anterior da error.**



Nota: El aspecto actual del interruptor de circuito de avería por puesta a tierra puede ser distinto al de la ilustración.

## CABLE DE EXTENSIÓN

No se debe usar el cable de extensión para esta máquina.

## MANTENIMIENTO DE LOS EQUIPOS DOTADOS DE DOBLE AISLAMIENTO

Un aparato dotado de doble aislamiento incorpora dos sistemas de aislamiento en lugar de la puesta a tierra. Es decir, los equipos dotados de doble aislamiento no incorporan ningún conductor ni dispositivo de puesta a tierra ni hay que acoplar adicionalmente a los mismos una puesta a tierra. Los trabajos de mantenimiento de un equipo dotado de un sistema de doble aislamiento requieren unos conocimientos particularmente amplios y completos de dicho dispositivo y del aparato en cuestión, debiendo ser ejecutados exclusivamente por personal especializado del Servicio Técnico Postventa Oficial. En caso de tener que sustituir piezas o componentes defectuosos del sistema de doble aislamiento, las piezas de repuesto deberán ser idénticas a las piezas defectuosas que deben sustituir.

Los artefactos con doble aislamiento están marcados "DOUBLE INSULATION" o "DOUBLE INSULATED". También podría tener el símbolo "□".

## ALIMENTACIÓN DE AGUA (solo agua fría)

### PRECAUCIÓN

Al conectar la entrada de agua a la red de alimentación de agua se debe tener en cuenta la normativa local de la compañía de agua. En algunas zonas, la unidad no puede conectarse directamente a la alimentación pública de agua potable. Esto es para garantizar que no haya retroalimentación de sustancias químicas en la alimentación de agua. Sin embargo, se permite una conexión directa mediante un tanque receptor o un desconector, por ejemplo. La suciedad en el agua de alimentación deteriora la unidad. Para evitar este riesgo, recomendamos utilizar un filtro de agua.

- No utilizar nunca la limpiadora a presión para extraer agua contaminada con disolventes; p. ej. diluyentes de pintura, gasolina, aceite, etc.
- Evitar siempre que los residuos entren en la unidad utilizando una fuente de agua limpia.

## Responsabilidad del propietario/usuario

El propietario y/o el usuario deben haber comprendido las instrucciones de funcionamiento y las advertencias del fabricante antes de utilizar la limpiadora a presión.

Deben resaltarse y comprenderse los avisos de advertencia.

Si el operario no sabe inglés, el comprador/propietario deberá leer y comentar las instrucciones y las advertencias del fabricante con el operario en la lengua materna de este, asegurándose de que comprende todo el contenido.

El propietario y/o el usuario deberá analizar y guardar las instrucciones del fabricante para poder consultarlas en un futuro.

## Uso previsto

### ***¡Solo para uso doméstico!***

La limpiadora de alta presión está diseñada para la limpieza de máquinas, vehículos, edificios, herramientas, fachadas, terrazas, equipos para el jardín, etc. con un chorro de agua de alta presión.

## Accesorios y recambios

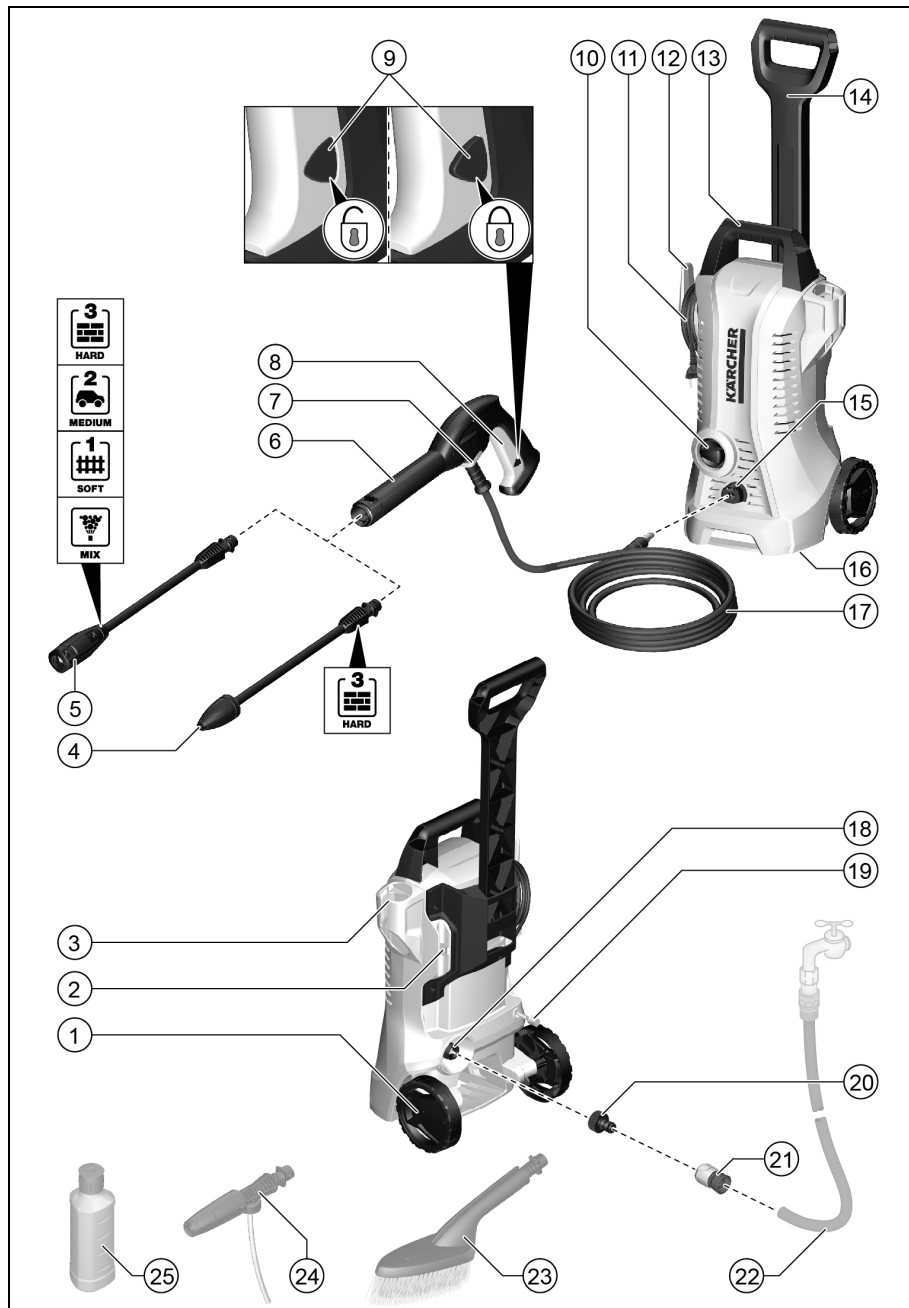
Utilice únicamente accesorios y recambios originales, estos garantizan un servicio seguro y fiable del equipo. Encontrará información sobre los accesorios y recambios en [www.kaercher.com](http://www.kaercher.com).

## Volumen de suministro

El volumen de suministro del equipo se muestra en el embalaje. Compruebe la integridad del volumen de suministro durante el desembalaje. Póngase en contacto con su distribuidor si faltan accesorios o en caso de daños de transporte.

## Descripción del equipo

En este manual de instrucciones se describe el equipamiento máximo. Existen diferencias en el alcance del suministro según el modelo (véase el embalaje).



## Dispositivos de seguridad

### PRECAUCIÓN

#### Dispositivo de seguridad faltantes o modificados

Los dispositivos de seguridad velan por su seguridad.

Nunca modifique ni manipule los dispositivos de seguridad.

#### Interruptor del equipo

El interruptor del equipo impide el funcionamiento involuntario del equipo.

#### Cierre de la pistola de alta presión

El cierre de seguridad de la pistola pulverizador evita la activación accidental del spray. Esta función de seguridad NO bloquea el spray en la posición de ENCENDIDO.

#### Función de parada automática

Cuando se suelta la palanca de la pistola de alta presión, el interruptor de presión desconecta la bomba y se para el chorro de alta presión. Al presionar la palanca, vuelve a conectarse la bomba.

- ① Rueda de transporte
- ② Almacenaje para tubos pulverizadores
- ③ Almacenaje/posición de estacionamiento para la pistola de alta presión
- ④ Tubo pulverizador Power Control con boquilla turbo: para contaminación incrustada, nivel de presión: HARD
- ⑤ Tubo pulverizador Power Control Click-Vario Power para tareas de limpieza más habituales, niveles de presión: HARD/MEDIUM/SOFT/MIX
- ⑥ Pistola de alta presión Power Control
- ⑦ Abrazadera para conectar/desconectar la manguera de alta presión
- ⑧ Palanca de pistola de alta presión
- ⑨ Cierre de la pistola de alta presión
- ⑩ Interruptor del equipo «0/OFF»/«I/ON»
- ⑪ Cable de conexión de red con conector de red
- ⑫ Gancho de almacenaje para cable de conexión de red
- ⑬ Asa de transporte
- ⑭ Asa de transporte, extraíble
- ⑮ Acoplamiento de acción rápida para manguera de alta presión
- ⑯ Placa de características
- ⑰ Manguera de alta presión
- ⑱ Conexión de agua con tamiz integrado
- ⑲ Manguera de aspiración de detergente
- ⑳ Acoplamiento de la conexión de agua
- ㉑ Conector para manguera de riego
- ㉒ \*\*Manguera de riego (reforzada con tela, diámetro de al menos 1/2 pulgadas (13 mm), longitud de al menos 7,5 m)
- ㉓ Cepillo de lavado, adecuado para trabajar con detergente
- ㉔ Boquilla de espuma
- ㉕ Recipiente de detergente

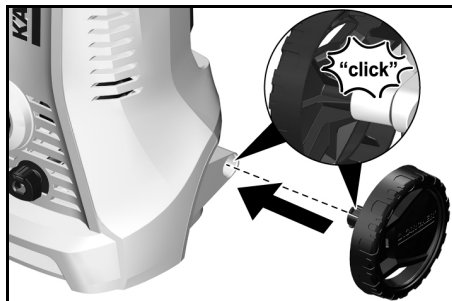
\*\* necesaria de manera adicional

## Montaje

Antes de la puesta en funcionamiento, monte en el equipo las piezas que se suministran sueltas.

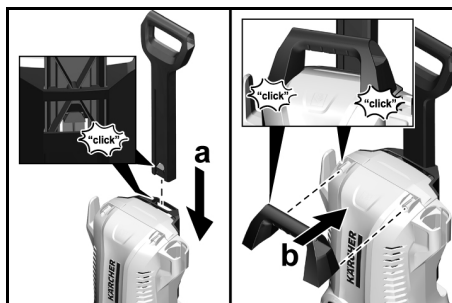
### Montaje de las ruedas

1. Fije y asegure las ruedas en el equipo.



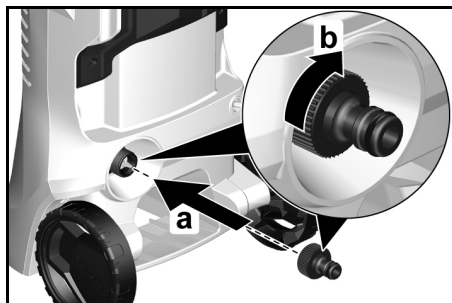
### Montaje de las empuñaduras

1. Coloque el asa de transporte.
2. Coloque el asa de transporte.



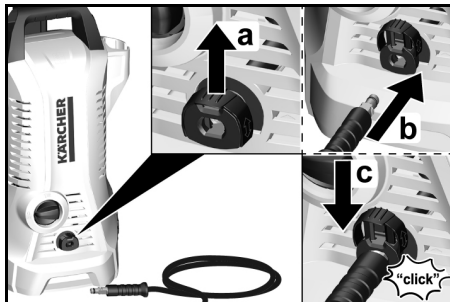
### Montaje del acoplamiento de la conexión de agua

1. Enrosque el acoplamiento de la conexión de agua en dicha conexión del equipo.

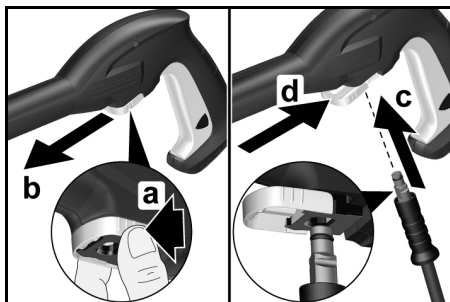


## Puesta en funcionamiento

1. Coloque el equipo sobre una superficie plana.
2. Conectar la manguera de alta presión en el acoplamiento de acción rápida hasta que encaje de forma audible.



3. Conecte la manguera de alta presión a la pistola de alta presión.  
a Apriete la abrazadera.  
b Extraiga la abrazadera.  
c Inserte la manguera de alta presión.  
d Presionar la abrazadera hasta encajarla.



4. Comprobar que las conexiones son seguras tirando de la manguera de alta presión.
5. Conectar el conector de red en un enchufe.



## Alimentación de agua

Para consultar los valores de conexión, véase la placa de características o el apartado *Datos técnicos*.

Respete las normas de la empresa de suministro de agua.

## CUIDADO

### Daños por agua sucia

La suciedad en el agua puede dañar la bomba y los accesorios.

Para protegerlos, KÄRCHER recomienda usar su filtro de agua (accesorio especial, referencia de pedido 4.730-059).

## Conexión al conducto de agua

## CUIDADO

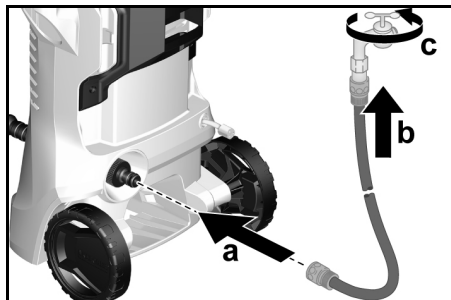
### Acoplamiento de mangueras con Aquastop en la conexión de agua del equipo

Daños en la bomba

Nunca use un acoplamiento de mangueras con Aquastop en la conexión de agua del equipo.

Puede usar un acoplamiento Aquastop en el grifo de agua.

1. Atornille el acoplamiento de manguera suministrado en el extremo de su manguera de riego.
2. Inserte la manguera de riego en el acoplamiento de la conexión de agua.
3. Conecte la manguera de riego al conducto de agua.
4. Abra el grifo de agua por completo.



## Funcionamiento

## CUIDADO

### Marcha en vacío de la bomba


Daños en el equipo

Si el equipo no genera ninguna presión en un intervalo de 2 minutos, desconéctelo y proceda conforme a las instrucciones del apartado *Ayuda en caso de avería*.

## Power Control System

### Nota

La sensibilidad de los materiales puede variar mucho según la antigüedad y el estado. Por lo tanto, las recomendaciones no tienen carácter vinculante.

Indicación	Nivel de presión	Recomendado, p. ej., para
	HARD	Terrazas de baldosas hechas de adoquines u hormigón lavado, asfalto, superficies de metal, utensilios de jardín (carretilla, pala, etc.)
	MEDIUM	Automóviles/motocicletas, superficies de ladrillo, paredes enlucidas, muebles de plástico
	SOFT	Superficies de madera, bicicletas, superficies de piedra arenisca, muebles de mimbre
	MIX	Funcionamiento con detergente

## Funcionamiento con alta presión

### CUIDADO

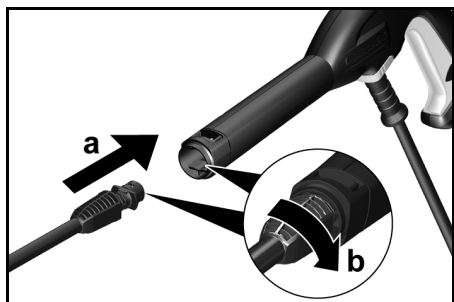
#### Daños en superficies pintadas o delicadas

Las superficies resultan dañadas si no se mantiene la suficiente distancia con la boquilla de pulverizado o si se selecciona un tubo pulverizador inadecuado.

Mantenga una distancia con la boquilla de pulverizado de al menos 30 cm al limpiar superficies pintadas.

No utilice la boquilla turbo para limpiar llantas de vehículos, pinturas ni superficies delicadas, como la madera.

1. Insertar un tubo pulverizador en la pistola de alta presión y fijarlo girándolo 90°.



2. Conectar el equipo («I/ON»).
3. Desbloquear la palanca de la pistola de alta presión.
4. Presionar la palanca de la pistola de alta presión.  
El equipo se conecta.

## Funcionamiento con cepillo de lavado

### CUIDADO

#### Daños en la pintura

Daños en superficies por un cepillo de lavado sucio

Asegúrese de que el cepillo de lavado esté libre de suciedad y partículas antes de utilizarlo.

#### Nota

Al usar cepillos de lavado, el equipo funciona a baja presión. Como consecuencia, es posible añadir un detergente.

1. Introduzca el cepillo de lavado en la pistola de alta presión y fíjelo con un giro 90°.

## Funcionamiento con detergente

### ⚠ PELIGRO

#### Inobservancia de la hoja de datos de seguridad

Problemas de salud graves por un uso inadecuado del detergente  
Observe la hoja de datos de seguridad del fabricante de detergentes, especialmente las indicaciones sobre equipos de protección personal.

#### Nota

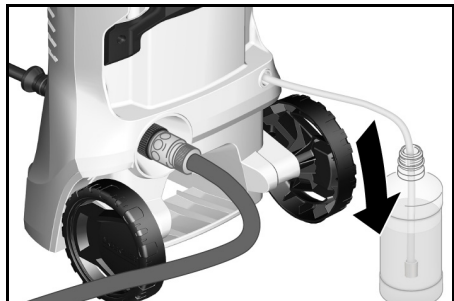
El detergente solo se puede añadir al utilizar baja presión.

#### Nota

Los detergentes KÄRCHER garantizan un funcionamiento sin averías. Solicite el asesoramiento oportuno o pida nuestro catálogo o nuestra hoja informativa sobre detergentes.

1. Extraiga la manguera de aspiración de detergente de la carcasa hasta alcanzar la longitud deseada.

2. Cuelgue la manguera de aspiración de detergente en un recipiente con solución de detergente.



3. Use el tubo pulverizador Click-Vario Power.
4. Gire el tubo pulverizador a la posición "MIX".  
Durante el funcionamiento, se añade la solución de detergente al chorro de agua.
5. Use la boquilla de espuma de manera opcional.
  - a Conectar la boquilla de espuma con la botella de detergente.
  - b Inserte la boquilla de espuma en la pistola de alta presión y fíjela con un giro 90°.

### Métodos de limpieza recomendados

1. Pulverizar poco detergente sobre la superficie seca y dejar que actúe (no secar).
2. Lavar la suciedad desprendida con el chorro de alta presión.

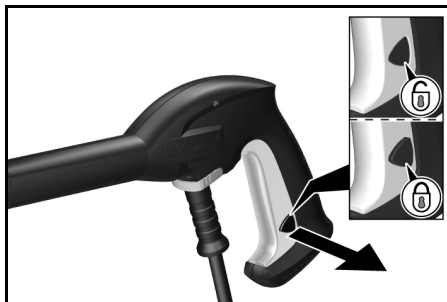
### Tras el funcionamiento con detergente

1. Enjuague el equipo con agua limpia durante unos 30 segundos.

### Interrupción del servicio

1. Suelte la palanca de la pistola de alta presión.  
Al soltar la palanca, el equipo se desconecta. Se mantiene la alta presión en el sistema.

2. Bloquee la palanca de la pistola de alta presión.



3. Coloque la pistola de alta presión con el tubo pulverizador en la posición de estacionamiento.
4. Desconecte el equipo con «0/OFF» durante las pausas de trabajo de más de 5 minutos.

### Finalización del funcionamiento

## ⚠ PRECAUCIÓN

### Presión en el sistema

Lesiones por la salida incontrolada de agua a alta presión

Desconecte la manguera de alta presión de la pistola de alta presión o del equipo únicamente cuando no haya ninguna presión en el sistema.

1. Suelte la palanca de la pistola de alta presión.
2. Cierre el grifo de agua.
3. Presione la palanca de la pistola de alta presión durante 30 segundos.  
Se elimina toda la presión que queda en el sistema.
4. Suelte la palanca de la pistola de alta presión.
5. Bloquee la palanca de la pistola de alta presión.
6. Desconecte el equipo de la alimentación de agua.
7. Desconecte el equipo con «0/OFF».
8. Desconectar el conector de red del enchufe.

## Transporte

### PRECAUCIÓN

#### Inobservancia del peso

Peligro de lesiones y daños

Tenga en cuenta el peso del equipo durante el transporte.

#### Trasporte del equipo

1. Levante y transporte el equipo agarrándolo por el asa de transporte.

#### Arrastre del equipo

1. Extraiga el asa de transporte hasta que encaje de forma audible.
2. Tire del equipo utilizando el asa de transporte.

#### Transporte del equipo en vehículo

1. Asegure el equipo para evitar que se desplace o vuelque.

## Almacenamiento

### PRECAUCIÓN

#### Inobservancia del peso

Peligro de lesiones y daños

Tenga en cuenta el peso del equipo para su almacenamiento.

#### Almacenaje del equipo

1. Deposite el equipo sobre una superficie plana.
2. Desconecte el tubo pulverizador de la pistola de alta presión.
3. Desconectar la pistola de alta presión de la manguera de alta presión.
4. Desconectar la manguera de alta presión del equipo.
5. Guardar la manguera de alta presión en el equipo.
6. Guardar el cable de conexión de red y el accesorio en el equipo.

Tener en cuenta las instrucciones adicionales si se va a almacenar el equipo durante un periodo de tiempo prolongado; véase el capítulo *Conservación y mantenimiento*.

## Anticongelante

### CUIDADO

#### Riesgo de helada

Los aparatos que no estén totalmente vacíos pueden destruirse con las heladas. Vacíe el aparato y los accesorios por completo.

#### ¡No almacene al aire libre!

Para evitar daños

Debe cumplirse lo siguiente:

- El equipo está desconectado de la alimentación de agua.
  - Se ha retirado la manguera de alta presión.
1. Conecte el equipo con «I/ON».
  2. Espere 1 minuto como máximo hasta que ya no salga agua de la conexión de alta presión.
  3. Desconecte el equipo.
  4. Guarde el dispositivo junto con todos los accesorios en una habitación cubierta protegida contra heladas.

## Conservación y mantenimiento

### **⚠ PELIGRO**

#### **Peligro de choques eléctricos**

Lesiones al tocar piezas que conducen corriente

Desconecte el equipo.

Desconecte el conector de red.

El equipo no requiere mantenimiento, es decir, no es necesario llevar a cabo trabajos de mantenimiento de forma periódica.

### Limpeza del tamiz de la conexión de agua

### **CUIDADO**

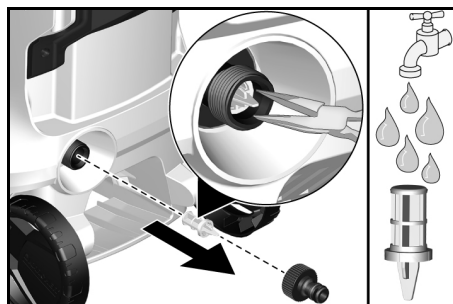
#### **Tamiz de la conexión de agua dañado**

Daños en el equipo debido a agua sucia

Antes de colocarlo en la conexión de agua, compruebe si el tamiz presenta daños.

En caso necesario, limpie el tamiz de la conexión de agua.

1. Retire el acoplamiento de la conexión de agua.
2. Extraiga el tamiz con un alicate de boca plana.
3. Limpie el tamiz con agua corriente.

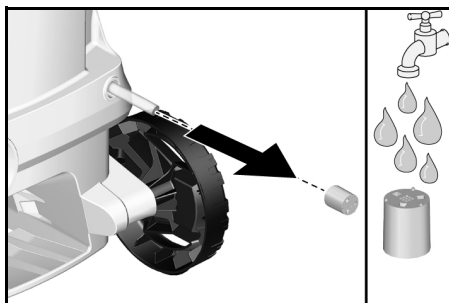


4. Coloque el tamiz en la conexión de agua.

### Limpeza del filtro de detergente

Limpe el filtro de detergente si lo va almacenar durante un tiempo prolongado.

1. Retire el filtro de la manguera de aspiración de detergente.
2. Limpie el filtro con agua corriente.



## Ayuda en caso de avería

A menudo, las causas de las averías son simples y pueden solucionarse con ayuda del siguiente resumen. En caso de duda o averías no mencionadas aquí, póngase en contacto con el servicio de posventa.

### PELIGRO

#### **Peligro de choques eléctricos**

Lesiones al tocar piezas que conducen corriente

Desconecte el equipo.

Desconecte el conector de red.

#### **El equipo no funciona**

1. Presione la palanca de la pistola de alta presión.

El equipo se conecta.

2. Compruebe si la tensión indicada en la placa de características coincide con la tensión de la fuente de corriente.

3. Compruebe si el cable de conexión de red presenta daños.

#### **El equipo no genera presión**

Entrada de agua insuficiente

1. Abra el grifo de agua por completo.

2. Compruebe que la entrada de agua cuenta con el volumen transportado suficiente.

El tamiz de la conexión de agua está sucio.

1. Extraer el tamiz de la conexión de agua con un alicate de boca plana.

2. Limpie el tamiz con agua corriente.

Hay aire en el equipo.

1. Purgue el equipo:

a Conectar el equipo sin tubo pulverizador conectado durante un máximo de 2 minutos.

b Presionar la pistola de alta presión y esperar hasta que el agua salga sin burbujas de la conexión de alta presión.

c Conectar el tubo pulverizador.

#### **Fuertes variaciones de presión**

1. Limpie la boquilla de alta presión:

a Elimine la suciedad del taladro de boquilla con ayuda de una aguja.

b Enjuague la boquilla de alta presión con agua desde la parte frontal.

2. Compruebe el volumen de entrada de agua.

#### **Equipo no estanco**

1. Desde un punto de vista técnico, el equipo puede presentar una pequeña falta de estanqueidad. En caso de que la falta de estanqueidad sea más grave, informe al servicio de posventa.

#### **No se aspira el detergente**

1. Use el tubo pulverizador Click-Vario Power y gírelo a la posición "MIX".

2. Limpiar el filtro de la manguera de aspiración de detergente.

3. Comprobar si la manguera de aspiración de detergente presenta puntos de flexión.

## Datos técnicos

### Conexión eléctrica

Tensión	V	120
Fase	~	1
Frecuencia	Hz	60
Potencia nominal	kW	1,5

### Conexión de agua

Presión de entrada (máx.)	MPa	1,2
	psi	175
Temperatura de entrada (máx.)	°C	40
	°F	104
Volumen de entrada (mín.)	l/min	8

### Datos de potencia del equipo

Presión de servicio	MPa	10
Presión máx.	MPa	11,7
	psi	1700
Volumen transportado, agua	l/min	4,7
Volumen transportado máximo	l/min	5,5
	gpm	1.45
Volumen transportado, detergente	l/min	0,3
Nivel de vibraciones mano-brazo	m/s <sup>2</sup>	1,8
Inseguridad K	m/s <sup>2</sup>	0,7
Nivel de presión acústica		
L <sub>pA</sub>	dB(A)	77
Inseguridad K <sub>pA</sub>	dB(A)	3

### Peso y dimensiones

Peso de servicio típico	kg	6,1
Longitud	mm	246
Anchura	mm	280
Altura	mm	586

Reservado el derecho a realizar modificaciones.



[www.kaercher.com/dealersearch](http://www.kaercher.com/dealersearch)

**Alfred Kärcher SE & Co. KG**  
Alfred-Kärcher-Str. 28-40  
71364 Winnenden (Germany)

