

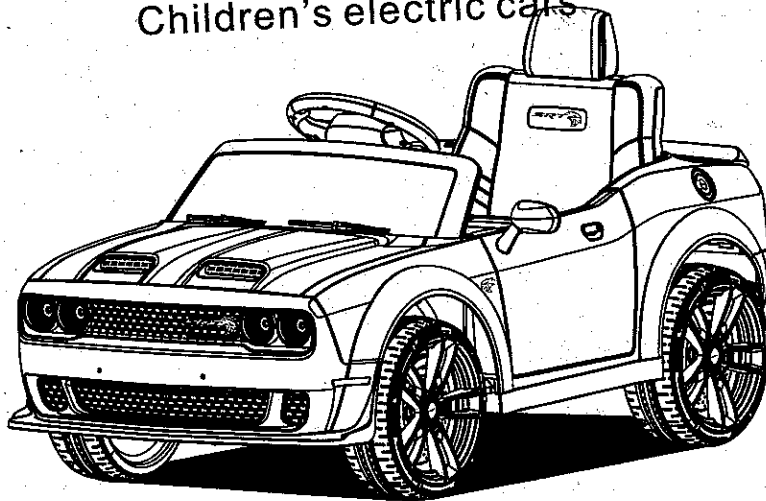


Model: 0955-BL

Dodge Challenger
Ride On
Official Licensed Product

INSTALLATION AND OPERATING INSTRUCTIONS

Children's electric cars



WARNING:

Assembled by an adult.
This toy is unsuitable for children under 3 years due to its maximum speed.

Photos are for reference ONLY.

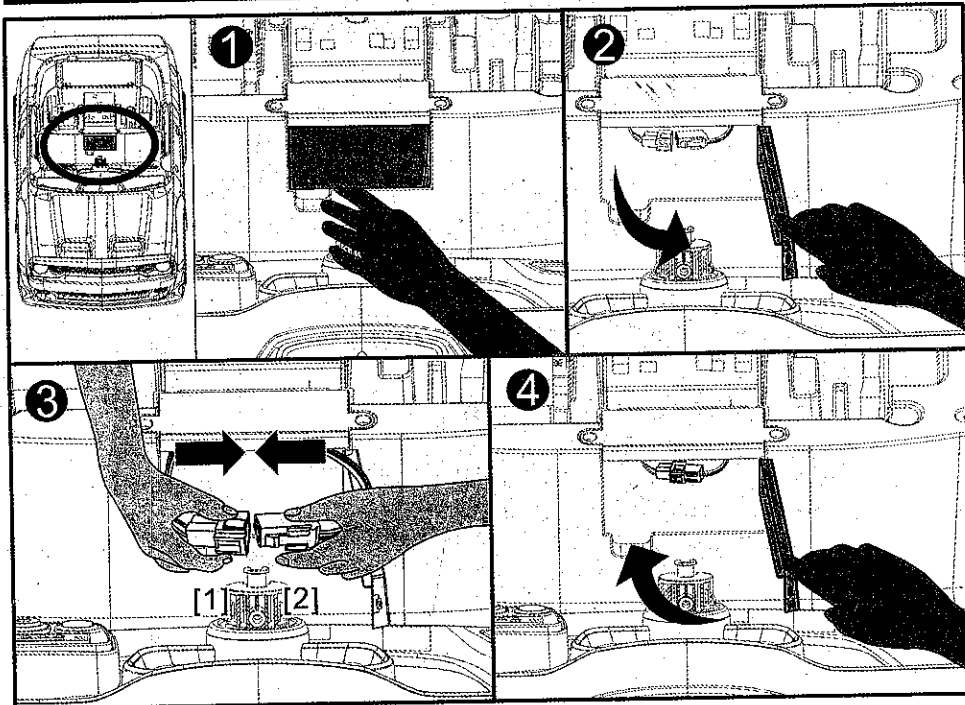
INSTALLATION INSTRUCTION

The illustrations in this instruction are used for easier understanding of the operation method of the product and the product structure. Please note there may be differences between the pictures and the physical item.

In order to improve the quality, we may change part of the structure and appearance of the product without an advance notice.

! Please read the instructions carefully before use, it will tell you the right operation method and installation steps. Incorrect operation may damage the product, or even hurt your child. Please keep this instruction ready and easy to find.

Preparation before installation: Power-on



- 1 & 2: Please find and open the charging hole cover as shown in figure.
3. Connect the terminal [1] and [2].
4. Close the charging hole cover.

1 Safety

⚠ WARNING!

The owner's manual contains assembly, use and maintenance instructions. The vehicle must be assembled by an adult who has read and understood the instructions in this manual. Keep the packaging away from children and dispose of all packaging before use.

Note: For best performance use on flat, hard surfaces.

The following safety hazards may result in serious injury or death to the user of the vehicle:

- This product contains small parts that are for adult assembly only. Keep small children away when assembling. Remove and dispose of all protective material and poly bags before assembly. Be sure to remove all packaging materials and parts from underneath the vehicle body.
 - Battery posts, terminals and related accessories contain lead and lead compounds (acids) chemicals known to the state of California to cause cancer, reproductive harm, and are toxic and corrosive. Never open the battery.
 - Body parts such as hands, legs, hair and clothing can get caught in moving parts. Never place a body part near a moving part or wear loose clothing while using the vehicle. Always wear shoes when using the vehicle.
 - This toy does not have brakes or any braking capability. Do not leave a child unattended while using this toy or allow use of this toy in any location that requires braking capability, as this could result in a roll away or loss of control, which may cause serious injury or death.
 - Use of this vehicle near streets, motor vehicles, steps, bodies of water, sloped surfaces, hills, wet areas, flammable vapors, in alleys, at night, or in the dark could result in an unexpected accident.
 - Using the vehicle in unsafe conditions such as snow, rain, loose dirt, mud, sand or fine gravel may result in unexpected action such as tip over and skidding, and damage to the electrical system and battery.
 - Do not use the vehicle in an unsafe manner. Unsafe manner include but are not limited to:
 - a. Pulling the vehicle with another vehicle or similar device
 - b. Allowing more than one rider
 - c. Pushing the user from the back
 - d. Traveling at an unsafe speed
 - The remote control is not a toy. It is for the adult use only, and should not be used by a child. A close adult supervision is always required. Reception range may change significantly with weather, battery, and other environmental conditions.
- Always use common sense and safe practices when using the vehicle.

BATTERY WARNINGS

⚠ WARNING!

The following safety hazards may result in serious injury or death to the user of the vehicle:



- Use of a battery or charger other than the supplied 12V rechargeable battery and charger may cause a fire or explosion. Only use the supplied 12V rechargeable battery and charger with the vehicle.

- Using the 12V rechargeable battery and charger for any other product may result in overheating, fire or explosion. Never use the 12V rechargeable battery and charger with another product.



- Explosive gases are created during charging. Charge the battery in a well ventilated area. Do not charge the battery near heat or flammable materials.

- Contact between the positive and negative terminals may result in fire or explosion. Avoid direct contact between the terminals. Picking up the battery by the wires or charger can cause damage to the battery and may result in a fire. Always pick up the battery by the case or handles.



- Liquids on the battery may cause fire or electric shock. Always keep all liquids away from the battery and keep the battery dry.

- Contact or exposure to battery leakage (lead acid) may cause serious injury. If contact or exposure occurs immediately call your physician. If the chemical is on the skin or in the eyes, flush with cool water for 15 minutes. If the chemical was swallowed, immediately give the person water or milk. Do not give water or milk if the patient is vomiting or has a decreased level of alertness. Do not induce vomiting.



- Battery posts, terminals and related accessories contain lead and lead compounds (acid), chemicals known to the State of California to cause cancer, reproductive harm and are toxic and corrosive. Never open the battery.



- Tampering or modifying the electric circuit system may cause a shock, fire or explosion and permanently damage the system. Exposed wiring, circuitry in the charger may cause electric shock. Always keep the charger housing closed.

USER REQUIREMENTS AND WARNINGS

Age	37-96 months
Max Weight	(30kgs)

Before using the vehicle the child should understand the vehicle controls and safety issues. They must also demonstrate the capability to handle the vehicle and operate its controls. It is the responsibility of the adult to educate the child and supervise the vehicles use. Read the following safety warnings to any child using the vehicle before riding.

⚠ WARNING!

- Never leave child unattended. Always supervise the child.
- Always sit in the seat when using the vehicle.
- Keep your hands, hair and clothes away from moving parts.
- Always wear shoes when using the vehicle.
- Only one rider is allowed on the vehicle at a time.
- Children under 3 years of age cannot use the vehicle.
- Only drive on level ground.
- Do not go near swimming pools or other bodies of water, drop-offs or up and down steep inclines.
- Do not drive the vehicle into loose dirt, mud, sand or fine gravel.
- Do not drive the vehicle on streets or near cars.
- Protective equipment should be worn. Not to be used in traffic.

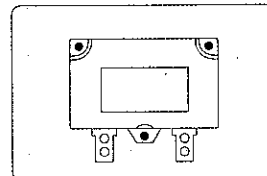
CARE WARNINGS

⚠ WARNING!

- Park the vehicle indoors or cover it with a tarp to protect it from wet weather.
- Do not leave the vehicle in the sun for long periods of time or fading may occur. Store in shade or cover with tarp.
- Do not wash the vehicle with a hose.
- Do not wash the vehicle with soap and water.
- Pay attention while driving the vehicle, avoid falls or collisions causing injury to the user or third parties.
- Please check the component parts before using, and make regularly examine the transformers or battery chargers for in the event of any damage on the cord, plug, enclosure and other parts, the vehicle shall not be used until the damage has been repaired, to avoid an accident.

Instructions of the recoverable fuse

Resettable fuse: when the current exceeds a certain rating, the recoverable fuse will automatically cut off the power supply 5-60 seconds, then the current will be resupplied.



⚠ WARNING

RISK OF FIRE. Do not bypass fuse. This may overload and damage the electrical system. Replace only with original size and type.

RE-CHARGE INTERVAL AND TIME Important!

- Damage to the battery may occur if it is allowed to drain completely. Do not allow the battery to drain completely.
- Check the battery and charger (supply cord, connector) for wear and damage before charging. Do not charge the battery if damage has occurred.
- On average you will need to charge the battery between 8 and 12 hours.
- Do not charge the battery for more than 20 hours. Failure to charge the battery as directed could cause permanent damage to the battery and void the warranty.
- Only an adult who has read and understood the safety warnings should handle, charge and recharge the battery.

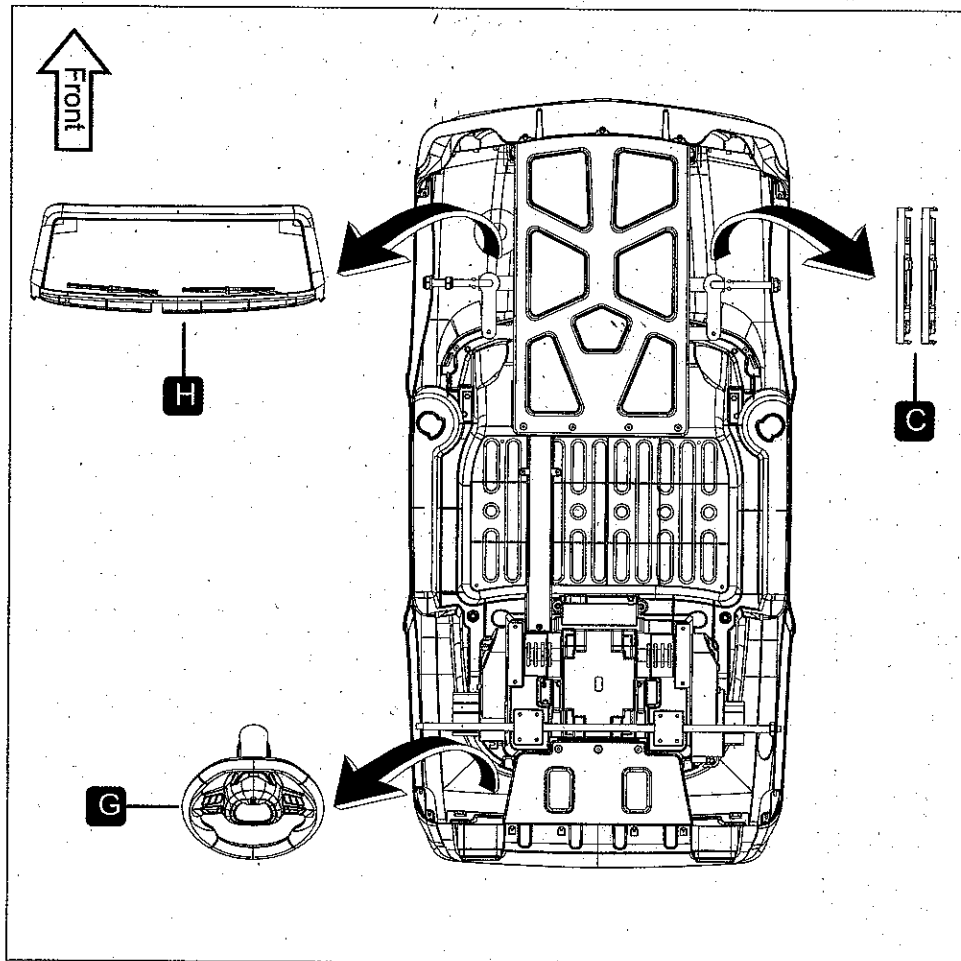
Specification

Name	specification
Battery	12V 4.5AH(6-FM-4.5(AH) * 1 / 12V 7AH(6-FM-7(AH) * 1
Motor	Motor: DC 12V Steering motor: DC 12V
Suitable age	37-96 months
Max weight	30KG
Body size	1105*655*545MM
Speed	2~3.6KM/h
Hours of use	charging 8-12 hours, using 1 to 2 hours
Charger	Input: 100V~240V AC Output: DC 12V500MA~DC 12V1000MA
Mainmaterial	PP(polypropylene) and iron

*The above parameters contain optional features, specific parameters please refer to our samples.

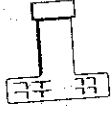
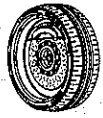
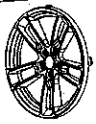
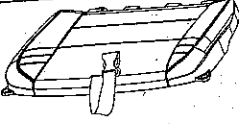

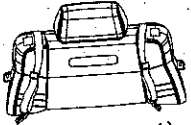
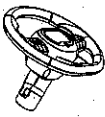

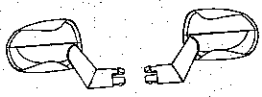
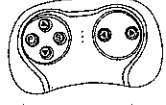
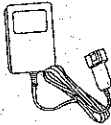

Preparation work:

Put the car upside down on a soft cloth or smooth plane firstly (Can't be directly placed on the surface of the cement, etc., which will scratch the surface of the plastic), then take off the cardboard, foam, nylon cable ties.



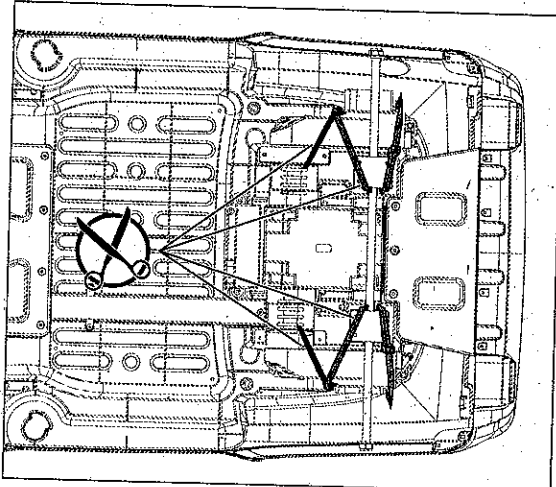
Take the H (windshield) and C (wheel cover) out of the front, and take the G (steering wheel) out of the rear.

Parts List

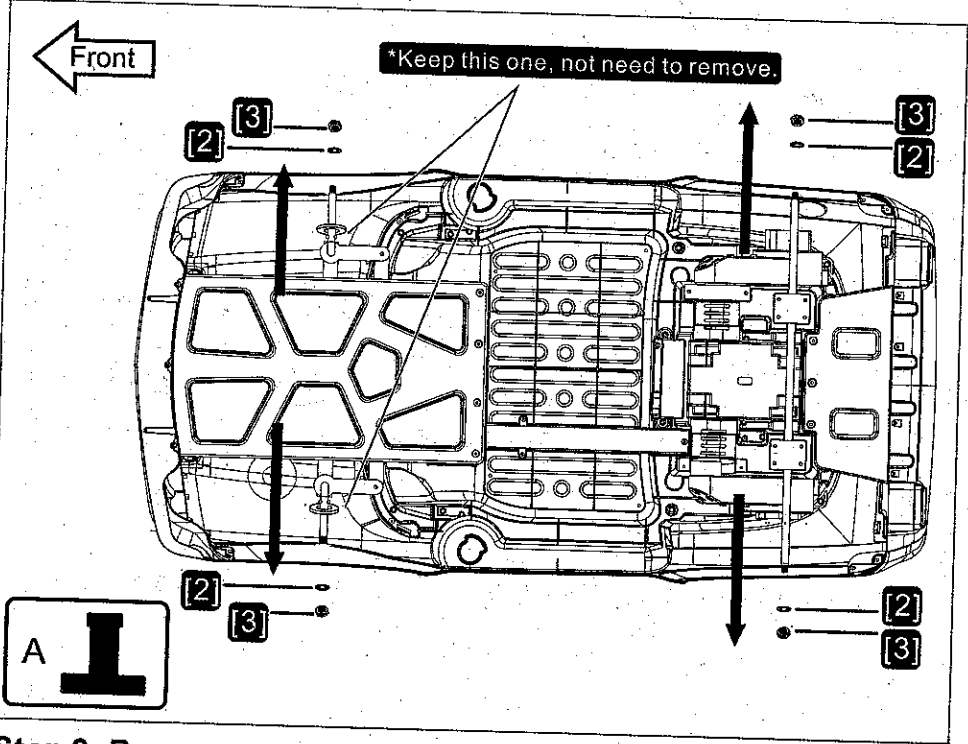
NO.	QTY	PICTURE	NO.	QTY	PICTURE
①	2	 A(M8 spanner)	②	4	 B(Wheel)
③	4	 C(Wheel Cover)	④	1	 D(seat)
⑤	4	 E(self-tapping screw)	⑥	1	 F(Backrest)
⑦	1	 G(Steering wheel)	⑧	1	 H(Wind deflector)
⑨	1 set	 I(Rearview mirror)	⑩	1 (optional)	 J (Remote control)
⑪	1	 K(Charger)	⑫	1	 L(Instruction Book)

*Photos are for reference ONLY.

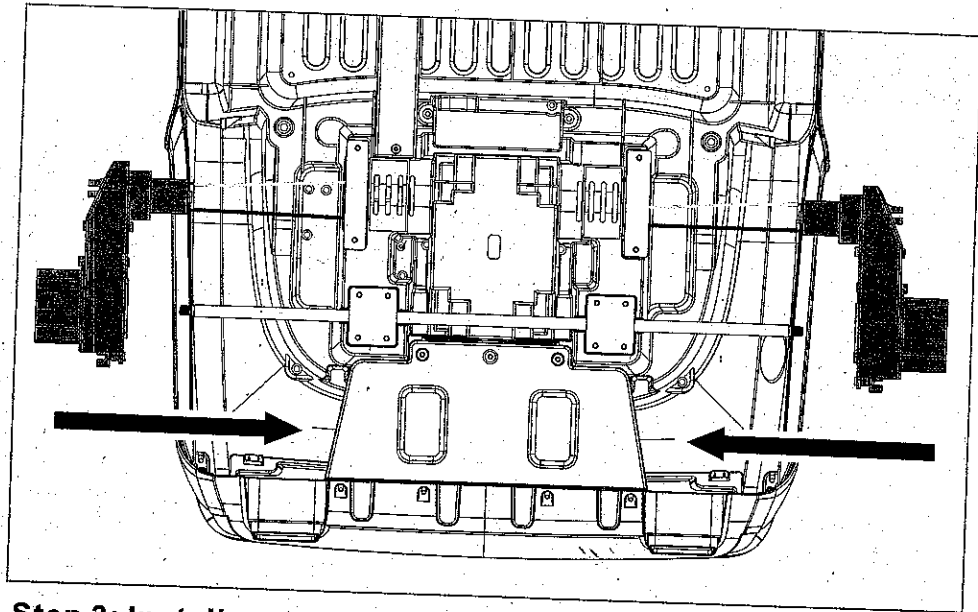
Installation Steps



Step 1: Cut off the motor tie
Use scissors to cut the 4 tie straps from the motor.

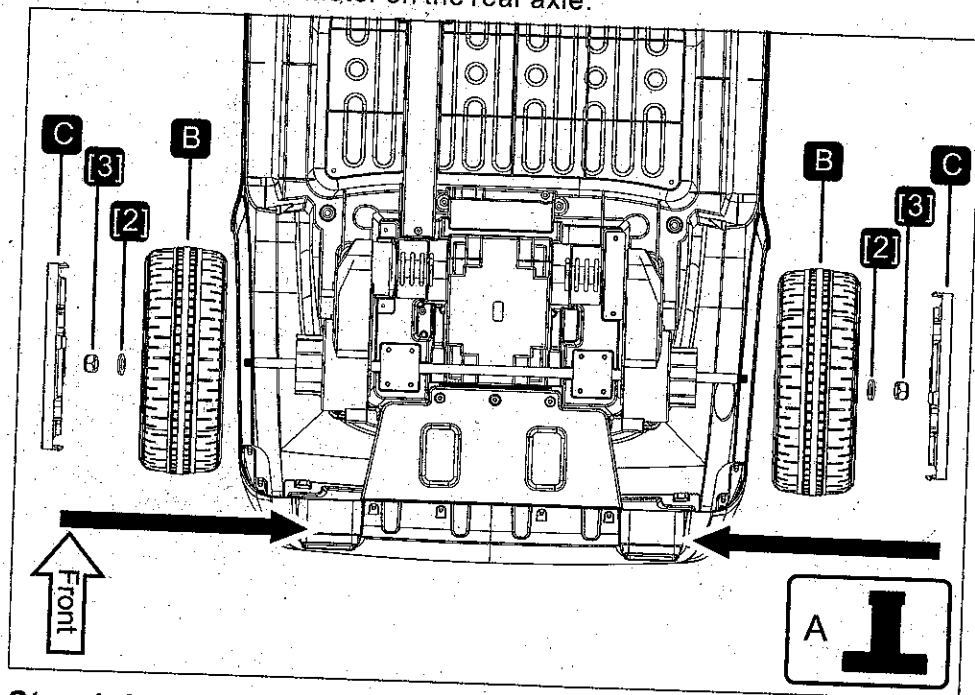


Step 2: Remove nut and washer
Remove [3] (M8 nut) and remove [2] (washer with A (M8 spanner)).



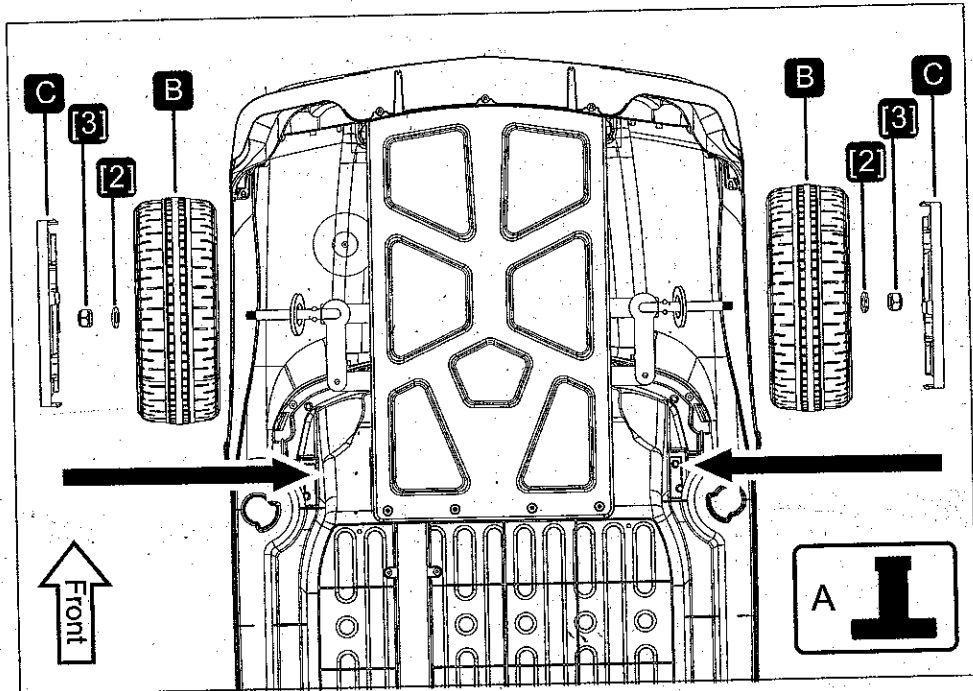
Step 3: Install motor

Install the rear wheel motor on the rear axle.



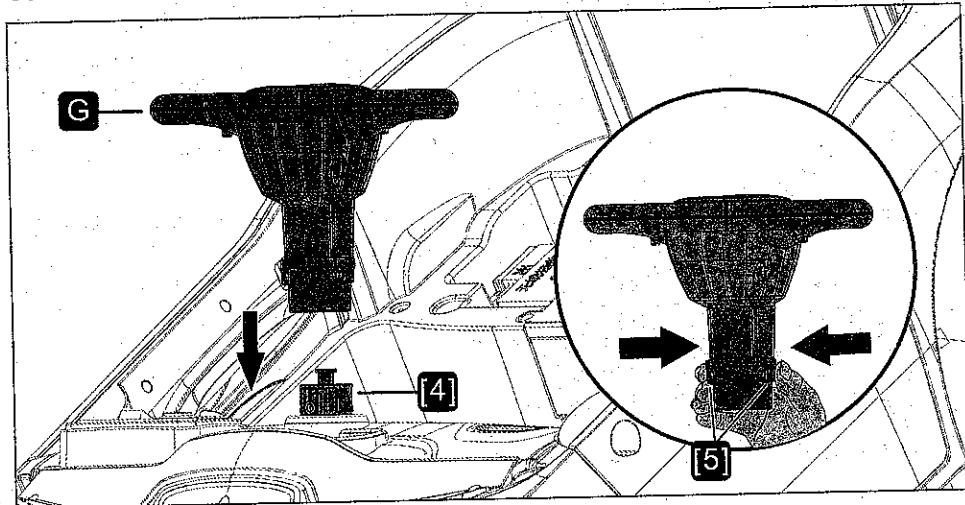
Step 4: Install the rear wheel and wheel cover

- 9** Slide part B (wheel) on the rear axle, then replace [2] washer and [3] nut to secure the wheel. Snap part C (wheel cover) onto B (wheel).



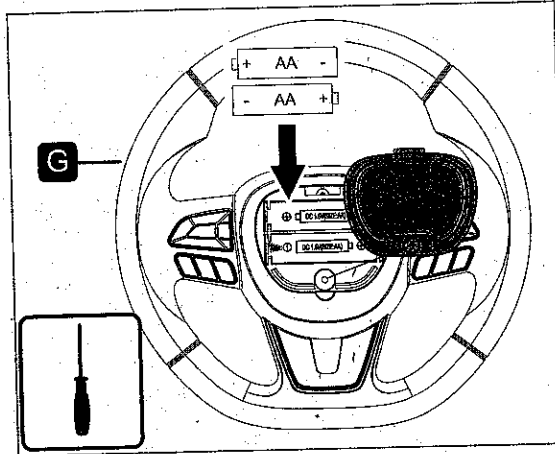
Step 5: Install the front wheel and wheel cover

Slide part B(wheel) on the front axle, then replace [2] washer and [3] nut to secure the wheel. Snap part C (wheel cover) onto B(wheel).



Step 6: Install the steering wheel

Align the correct position and press G (steering wheel) on [4](steering yoke) as shown in figure. P.S if need to take off the steering wheel, please tighten [5], then pull out the steering wheel.

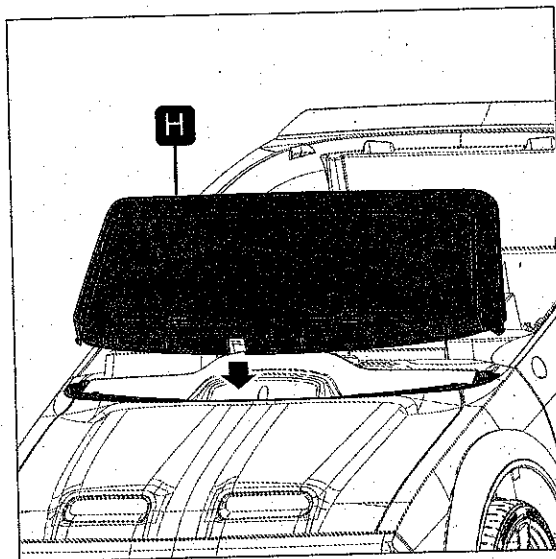


Step 7: Install steering wheel battery

Firstly use a screwdriver to unscrew the steering wheel cover in counterclockwise, then install 2 AA batteries as shown, finally cover the cover and tighten the screws in clockwise.

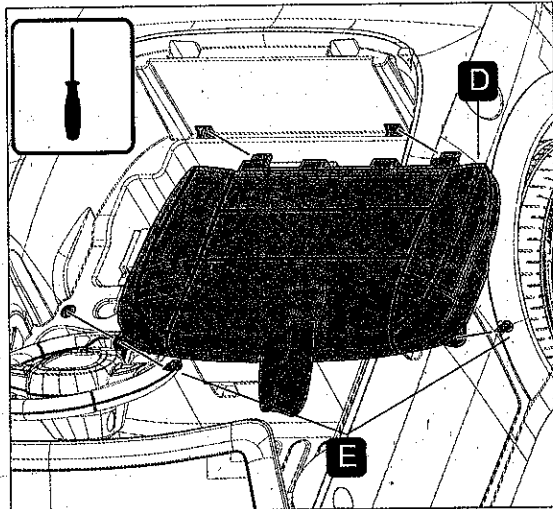
⚠ WARNING!

1. All batteries should be inserted in the correct polarity.
2. Non-rechargeable battery cannot be recharged
3. Take out and properly deal with the dead battery. To avoid injury, please keep kids away from the battery.
4. The direct contact between the positive and negative terminals may result in fire or explosion. Avoid direct connect between the terminals.
5. Do not mix old and new batteries. DO not mix alkaline, standard(carbon-zinc), or rechargeable(nickel-cadmium) batteries.
6. Only an adult who has read and understood the safety warnings can recharge the battery.



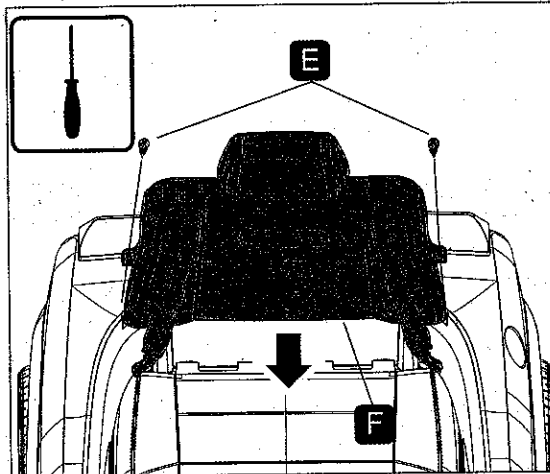
Step 8: Install the wind deflector

Install the H(wind deflector) to the car body as show in figure.



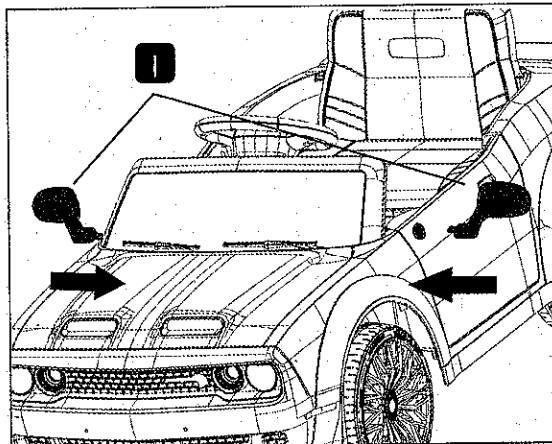
Step 9: Install seat

Align the seat with the body, secure it with 2 E (self-tapping screws).



Step 10: Install the backrest

Install the backrest on the body as shown, and then secure it with 2 E (self tapping screws).

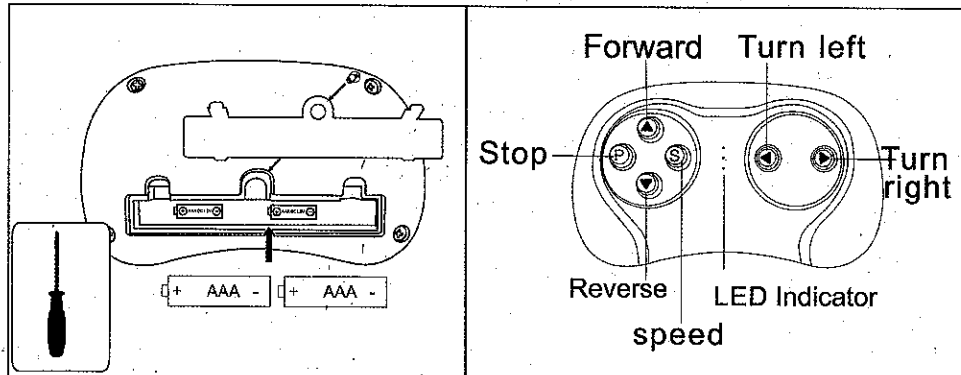


Step 11: Install the rear view mirror

Install the I (rear view mirror) to the car body as show in figure.

Direction for use

1. The installation and replacement of the batteries in the remote control:



Use a screwdriver to remove the battery cover of the remote control, insert two AAA 1.5V dry batteries in correct polarity. Close the battery cover and fix it with the screw. (Battery replacement also according to the above steps)

⚠ WARNING!

The remote control is not a toy. It is for the adult use only, and should not be used by a child. A close adult supervision is always required. Reception range may change significantly with weather, battery, and other environmental conditions.

2. Matching the frequency of car and remote control

1. Turn off the Power Switch on the car.
2. Remove the battery cover on the Remote Control and put in 2 AAA battery, the three LED indicators will flash.
3. Turn on the Power Switch on the car, when the LED indicators stop flashing and 2 of them are on, matching successes.
4. Once the matching is made, there is no need to match code again only if the battery is replaced.
5. The Remote Control will enter a sleep mode if not used for a long time and the LED indicators will be off. Press any buttons to wake up the Remote Control, and it can be used normally.

Button Description: ▲: forward ▼: reverse ◀: turn left ▶: turn right
S: Speed "P" stop button: Press this button, the vehicle will stop immediately and indicator flash, vehicle has no move function either by controller or manual control from the vehicle. Press the button again, indicator change to solid light, vehicle back to operation mode.

Remote control operating instruction

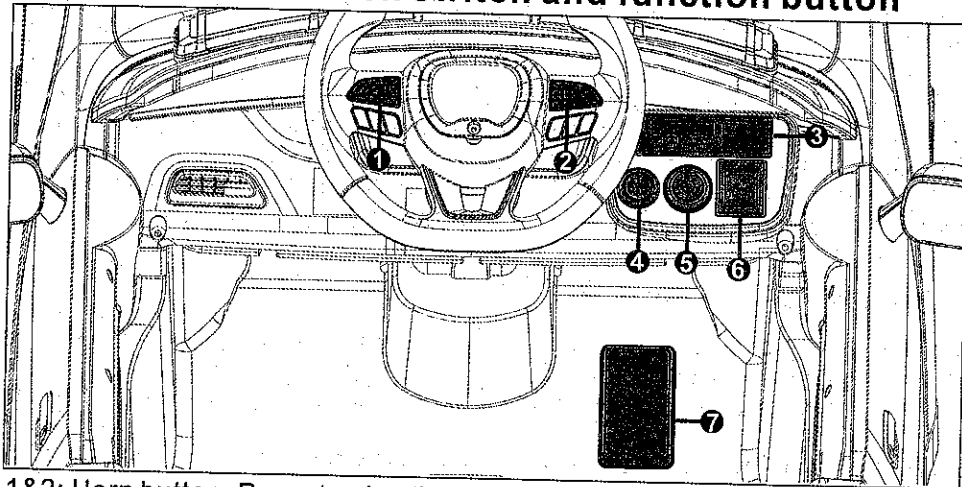
Remote control is priority (when the car is in Remote control, the remote control personnel can control the car forward and backward, high/Low speed, steering and other functions, the driver CAN NOT operate the car).

Press the ▲ forward button, the car goes forward. Press ▼ reverse button, the car goes reverse. "P" stop button: Press this button, the vehicle will stop immediately and indicator flash, vehicle has no move function either by controller or manual control from the vehicle. Press the button again, indicator change to solid light, vehicle back to operation mode. Press the turn left button car turn left, Press the turn right button car turn right; (Note: The remote control turning button needs pressing more than once while turning, otherwise it will automatically return to the straight line.) The S button is speed button, one light on is low speed, two lights on for intermediate speed, three lights on for high speed.

⚠ WARNING!

1. All batteries should be inserted in the correct polarity.
2. Non-rechargeable battery cannot be recharged
3. Take out and properly deal with the dead battery. To avoid injury, please keep kids away from the battery.
4. The direct contact between the positive and negative terminals may result in fire or explosion. Avoid direct connect between the terminals.
5. Do not mix old and new batteries. DO not mix alkaline, standard (carbon-zinc), or rechargeable (nickel-cadmium) batteries.
6. Only an adult who has read and understood the safety warnings can recharge the battery.

3. Instruction of each switch and function button



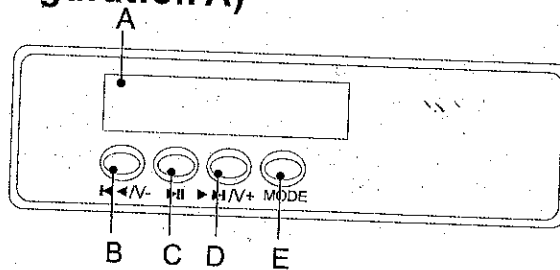
- 1&2: Horn button: Press to play the horn sound.
3. Mp3 multifunctional player.
4. Light switch: Power on, by default, the light is on, press the button to turn off the light.

5. Power switch: Press to Turn on or turn off the power.
6. Forward/Reverse switch: Press the button for controlling the Vehicle to move forward / Reverse.
7. Foot pedal switch: Step on the foot pedal switch, the car will move forward; Loosen the pedal, the car will stop.

4. Operation guide for Manual control (forward, backward):

After the driver is seated, press the power switch, the car will send out a starting sound (2-5seconds). Put the Forward/Backward switch into the position of "forward" (Press forward), step on the foot switch the car will move forward, loosen the pedal the car will stop. Put the Forward/Backward switch into the position of "Backward", step on the foot switch the car will move backward, loosen the pedal the car will stop.

5-1. Instruction for MP3 multifunction player (Configuration A)

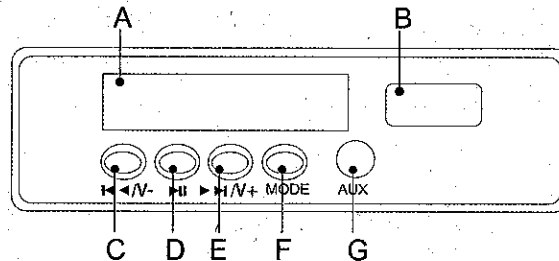


- A: Voltage display screen: The value on the display be used to determine whether the battery needs to be charged.
- B: ◀/V- Short press to play the previous song, long press to decrease volume.
- C: ▶|| Short press to play / pause music.
- D: ▶/V+ Short press to play to the next song, long press to increase volume.
- E: MODE: Press to toggle between FM radio, Bluetooth.
- F: FM Radio: Long press the ▶|| to find new radio station. Short press the ▶/V+ to play the next radio station. Short press the ◀/V- to play the previous radio station.

Wireless connection:

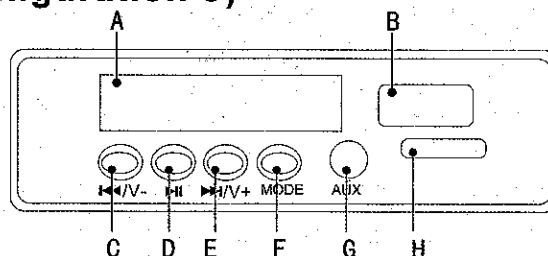
- Step 1: Place your desired audio device near the media player and press the car's power button.
- step 2: Press " Mode" on the media player and wait until you hear a prompt tone.
- Step 3: On your desired audio device, locate the Bluetooth settings and select the device named "2001-B".
- Step 4: When the device states a prompt tone select the desired song.

5-2. Instruction for MP3 multifunction player (Configuration B)



- A. Voltage display screen: The value on the display be used to determine whether the battery needs to be charged.
 - B. Adaptor port: Insert flash driver will play the music inside. Only MP3 mode is supported.
 - C. ◀◀/V- button: Last channel/volume down: short press to play the last channel, long press to lower the volume.
 - D. ▶▶ button: Short press this button is pause. Note: in FM mode, long press this button will search radio station.
 - E. ▶▶/V+ button, Next channel / Volume up: short press to play the next channel, long press to increase the volume.
 - F. Mode switch button: Can switch between different play modes.
 - G. AUX connector: connect with other removable device to play audio file valid.
- I-1. FM function (configuration A): press the MODE key to enter the FM mode, long press ▶▶ to search the channel (it needs around 1 minute), after that it will automatically lock the radio channel, and it has the memory function, the channel info. will not lose even turn off the power. (please repo at this operating steps if you want to research the channel). Short press ▶▶ is pause, ▶▶/V+ will play next channel, ◀◀/V- will play last channel.
- I-2. FM function (configuration B): press the MODE key to enter the FM mode, short press ▶▶ to search the channel (it needs around 1 minute),

5-3. Instruction for MP3 multifunction player (Configuration C)



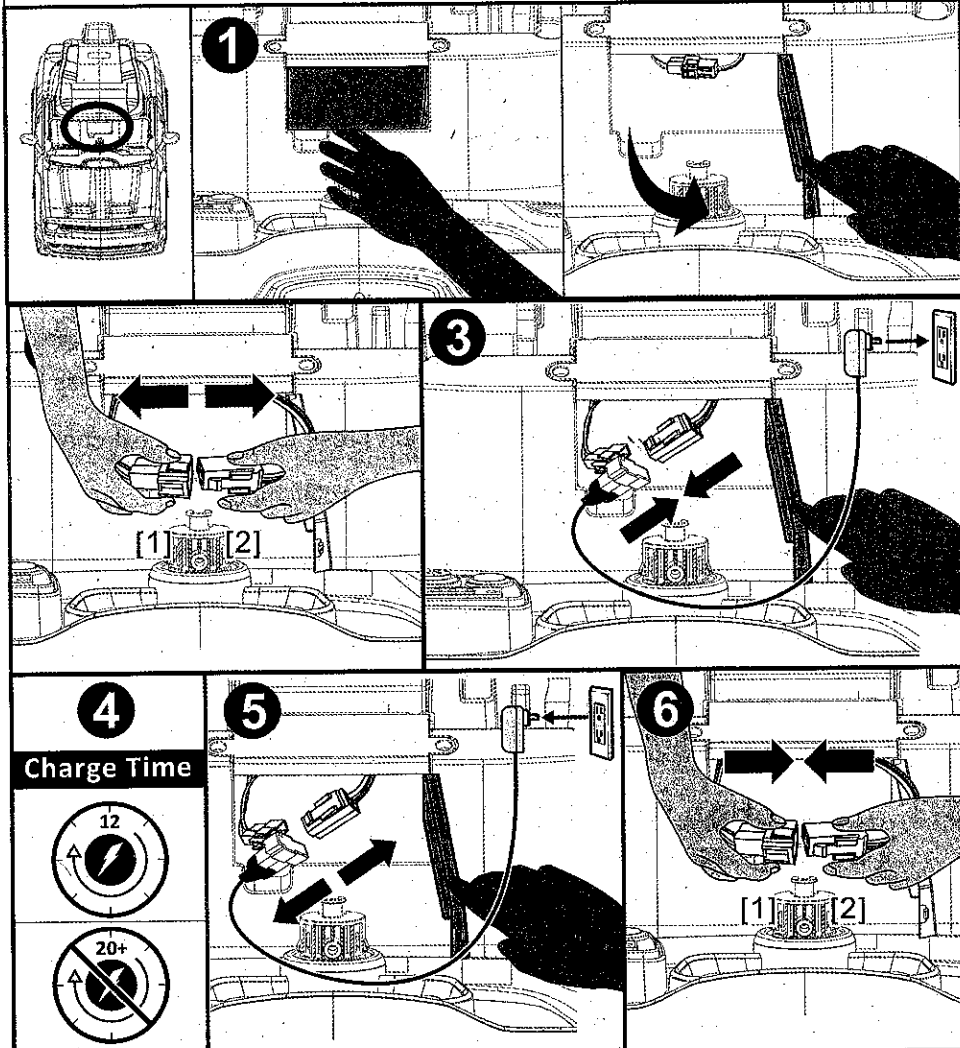
- H. Card slot: Plug card into the card slot, the car will read and play the audio file in card. (Only support MP3 format)

Other functions are same with Configuration B

6. Charging instructions.

WARNING!

Please plug wall charger directly into a wall outlet. Do not use an extension cord.



When the battery is low, please charge it immediately.

1. Please find and open the Charging hole cover as shown in figure. 2. Press the [2] hook to disconnect the power supply terminal. 3. Connect the charger terminal to the power supply terminal. 4. It can be fully charged within 12 hours (note: Charge it for no more than 20 hours). 5. Firstly please unplug the charger plug out of the socket, then unplug the charger terminal. 6. Connect the power supply terminal, and close the Charging hole cover. (note: this toy cannot be operated, under charging and should be charged by adults)

Troubleshooting

Fault type	Reason analysis	Trouble elimination methods
The motor does not rotate	<ol style="list-style-type: none"> 1. Is the fuse overloaded? (under the seat) 2. The pedal switch connector is good? 3. The welding of motor electric terminal is good? 4. The connector of the motor wire is good. 5. Remove the motor's plug-in, change to connect battery directly, then check if it rotate or not. 	<ol style="list-style-type: none"> 1. Yes, the fuse cuts off the power automatically by 5-60 seconds, then restart; No, check next reason analysis 2.No, repair foot switch ; Yes, check next reason analysis 3. No, weld the terminal wire ; Yes, check next reason analysis 4.No, plug in the plug-in ; Yes, check next reason analysis 5.Still no rotation, change the motor; If rotates, it means driving circuit board needs professional maintenance, please contact with agent
Only move frontwards, or only move backwards	<ol style="list-style-type: none"> 1. Check the frontward/backward switch, check the connector is good or not by multimeter 2. Check the drive line cycle of frontward/bckwards is workable or not? 	<ol style="list-style-type: none"> 1.No, change the frontward/backward switch; Yes, check next reason analysis 2.No, connect the line; Yes, it means driving circuit board needs professional maintenance, please contact with agent
slow speed	<ol style="list-style-type: none"> 1. Check the battery voltage is ok or not. 2. Connect the motor (including the driving gearbox) to the battery, then check the speed can be accelerated or not. 	<ol style="list-style-type: none"> 1.No, charger the battery ; Yes it's ok, check next reason analysis 2. No, check next reason analysis ; Yes, it means driving circuit board needs professional maintenance, please contact with agent
The battery can not be recharged	<ol style="list-style-type: none"> 1. The battery connector fall off or loosened. 2. The charger has a slight heat when it is charged 	<ol style="list-style-type: none"> 1. Yes, reconnect it, No, check next reason analysis 2.No, the charger is broken, replace it
When car is moving, the sound and light are useless	<ol style="list-style-type: none"> 1. check the sound/light switch is ok or not. 2. check the electric wire connection (from battery to headstock) is good or not? 	<ol style="list-style-type: none"> 1.No, replace the switch; Yes, check next reason analysis 2. No, reconnect; Yes, check next reason analysis
When wheel running, the car does not move	<ol style="list-style-type: none"> 1. check the driving wheel can be rotated or not? 2. Check the gearbox, if any gear is damaged? 	<ol style="list-style-type: none"> 1. Yes, lay the wheel to the ground; No, checks the next reason analysis 2. Yes, replace the gear box; No, checks the next reason analysis
Car is unstable, moving on and off	<ol style="list-style-type: none"> 1. Does the driver exceed the maximum load weight? 2. Does the driver ride on the rugged road? 3. Check the wheel can rotate freely? 	<ol style="list-style-type: none"> 1. Yes, should follow the instruction, the car unsuitable for exceed maxweight; No, check the next reason analysis 2. Yes, should follow the instruction, ride on the flat cement road ; No, check the next reason analysis No, Troubleshooting wheel and axle

Assembly Help/Tech Support/Missing Parts

BEST RIDE ON CARS

11937 Denton Dr

Suite # 101

Dallas, TX 75234

Ph:1-888-411-1786



Dodge and related logos, vehicle model names and trade dress are trademarks of FCA US LLC and used under license by Chuzhou Bettyma Baby Carrier Co.,Ltd.
©2022 FCA US LLC.