

# 125LB PUSH SPREADER



## Instruction & Assembly

**SAVE THESE INSTRUCTIONS FOR FUTURE REFERENCE**

# Table of Contents

General Warnings and Rules .....	3
Hazard Signal Word Definitions.....	4
Controls and Features Identification.....	5
Component & Hardware.....	6,7
Assembly Instructions .....	8, 9,10,11,12
Operation Instructions .....	13,14,15
Spreading Instructions.....	16
Maintenance and Storage & Specification.....	17
Parts Drawing & Parts List.....	18,19,20
Limited Warranty .....	21

## **GENERAL WARNINGS**

### **READ and UNDERSTAND this manual completely before using Push Spreader.**

Operator must read and understand all safety and warning information, operating instructions, maintenance and storage instructions before operating this equipment. Failure to properly operate and maintain the push spreader could result in serious injury to the operator or bystanders.

### **Operation Warnings**

- Do not at any time carry passengers sit or stand on the spreader.
- Do not allow children to play on, stand upon or climb in the spreader.
- Always inspect the spreader before using to assure it is in good working condition.
- Replace or repair damaged or worn parts immediately.
- Always check and tighten hardware and assembled parts before operation.
- Do not exceed equipment maximum load capacity of 125lb.
- Avoid large holes and ditches when transporting loads.
- Be careful when operating on steep grades (hill) the spreader may tip over.
- Do not push close to creeks, ditches and public highways.
- Do not use spreader on windy days when spreading grass seed or herbicides.
- Always use caution when loading and unloading spreader.
- Never tow the spreader with a motorized vehicle.

### **Crush and Cut Hazards**

- Always keep hands and feet clear from moving parts while operating the equipment.
- Always clear and keep work area clean when operating.
- Always wear safety gear, eye protection, gloves and work boots when operating the spreader.

### **WARNING**

The warnings, cautions, and instructions outlined in this instruction manual cannot cover all possible conditions or situations that may occur. It must be understood by the operator that common sense and caution are factors which cannot be built into this product and must be supplied by the operator.

### **PROP 65 WARNING**

This product can expose you to chemicals including lead and lead compounds which are known to the State of California to cause cancer and birth defects or other reproductive harm. For more information, go to [www.P65Warnings.ca.gov](http://www.P65Warnings.ca.gov)

### **Assembly Is Required**

This product requires assembly before use. See "Assembly" section for instructions. Because of the weight and size of the push spreader, it is recommended that another adult be present to assist with the assembly. **INSPECT ALL COMPONENTS** closely upon receipt to make sure no components are missing or damaged.

# Hazard Signal Word Definitions

	<p>This is the safety alert symbol. It is used to alert you to potential personal injury hazards. Obey all safety messages that follow this symbol to avoid possible injury or death.</p>
	<p><b>DANGER</b> indicates an imminently hazardous situation which, if not avoided, will result in death or serious injury.</p>
	<p><b>WARNING</b> indicates a potentially hazardous situation which, if not avoided, could result in death or serious injury.</p>
	<p><b>CAUTION</b> indicates a potentially hazardous situation which, if not avoided, may result in minor or moderate injury.</p>
	<p><b>CAUTION</b> used without the safety alert symbol indicates a potentially hazardous situation which, if not avoided, may result in property damage.</p>

## ABOUT YOUR PUSH SPREADER

This push spreader is designed to spread a wide range of materials (Fertilizer, Grass Seed and Ice Melt). Materials such as Powders, Manure, Top Soil, Gravel, and Mulch have the wrong physical characteristics and should not be used with this spreader. Never exceed the rated load capacity of 125lbs when operating the spreader.

Your spreader needs to be pushed at three miles per hour, which is a brisk walking speed. Slower or faster speeds will change the spread patterns. Wet spreading material will also change the spread pattern and flow rate. Clean your spreader thoroughly after each use. Wash between the shut off plate and bottom of the hopper.

Technical specifications on the push spreader are provided in the “Specifications” section of this manual.

## Controls and Features Identification

Read this owner's manual before operating the equipment. Familiarize yourself with the location and function of the controls and features. Save this manual for future reference.



- 1) **Handle** – Pushes and moves the spreader easily.
- 2) **Flow Control** – Controls the flow of material being spread.
- 3) **Hopper** – Do not exceed rated load capacity 125lb.
- 4) **Tires / Wheel** – Do not exceed recommended rated.
- 5) **Impeller** - Evenly distributes material.
- 6) **Support Leg** – Stabilizes load and spreader.



## CAUTION

Read and follow all instructions for assembly and operation. Failure to properly assemble this equipment could result in serious injury to the user or bystanders, or cause equipment damage.

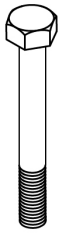
### PUSH SPREADER COMPONENT PARTS AND ASSEMBLE.

Take all parts out of the shipping crate and inspect components to ensure there are no missing pieces before starting to assemble the push spreader follow steps 1 through 5.

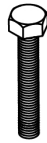
#### TOOLS REQUIRED

- Pliers
- 8mm Wrenches
- 10mm Wrenches
- 13mm Wrench
- 14mm Wrench

## Component Parts



Hex Bolt M8x75  
1pc



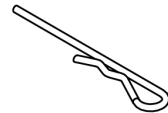
Hex Bolt M6x40  
6pcs



Hex Bolt M6x35  
2pcs



Hex Bolt M6x20  
4pcs



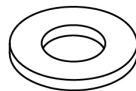
R Pin Ø3  
1pc



Lock Nut M8  
3pcs



Lock Nut M6  
12pcs



Flat Washer Ø16  
6pcs



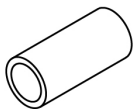
Flat Washer Ø8  
2pcs



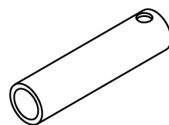
Flat Washer Ø6  
6pcs



Lock Washer Ø6  
6pcs



Bushing  
2pcs



Bushing  
2pcs



Drive Pin  
1pc



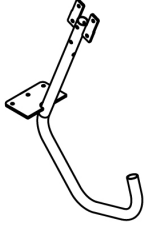
Spacer  
1pc



Cotter Pin Ø5x35  
2pcs

# Component Parts

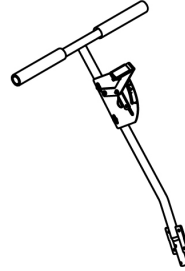
Support Leg  
1pc



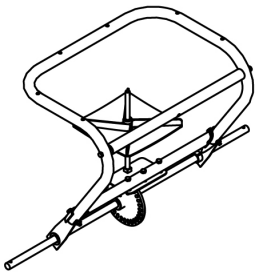
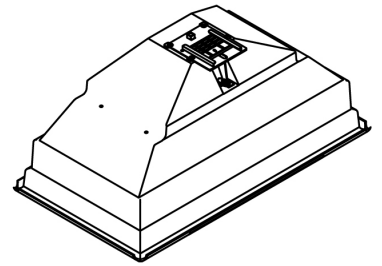
Linkage Bar  
1pc



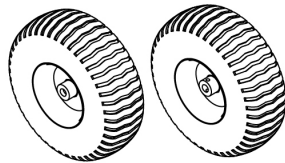
Handle Assembly  
1pc



Hopper  
1pc



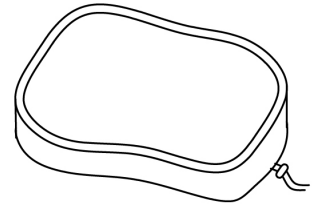
Frame Assembly  
1pc



Wheel  
2pcs



Screen  
1pc

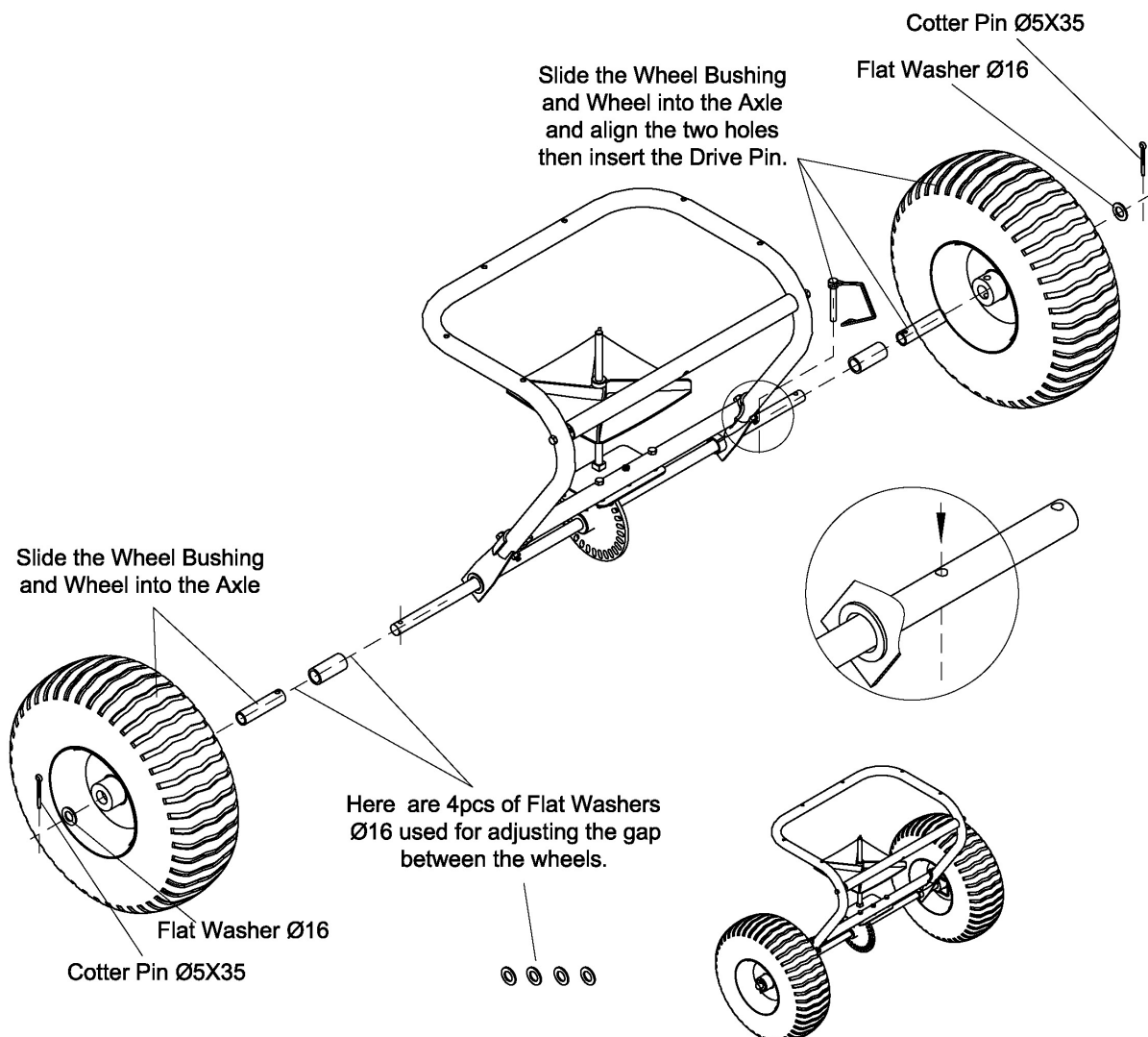


Rain Cover  
1pc

# Assembly Instructions

## STEP 1: Installing the Wheels

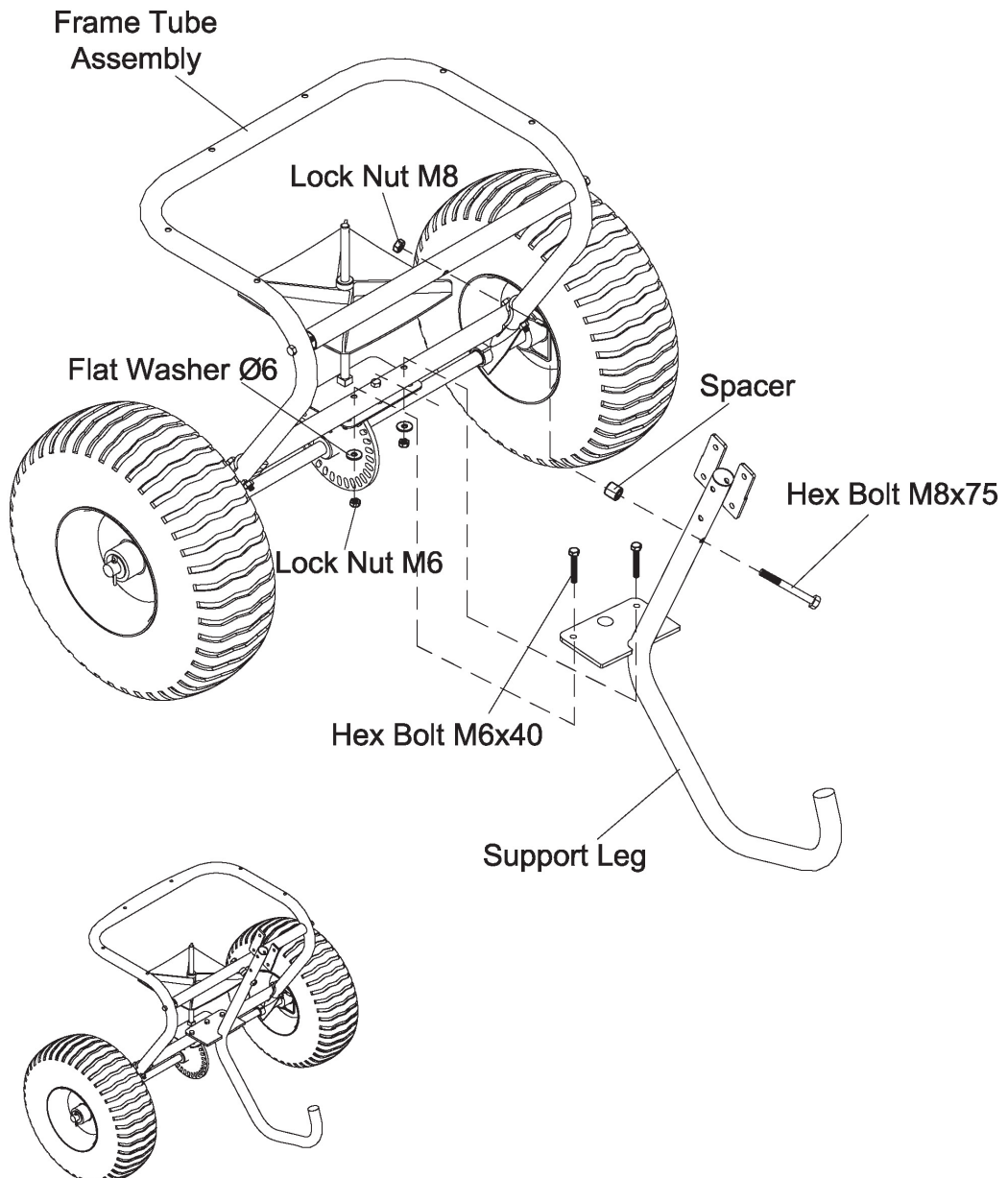
1. Flip the Frame Assembly upside down and slide the axle bushing and the wheel spacer onto the left side of the axle.
2. Push the left wheel onto the axle.
3. Slip the flat washer  $\text{\O}16$  onto the axle, then insert the cotter pin  $\text{\O}5 \times 35$  through the hole in the axle.
4. Before bending the cotter pin, verify there is no side-to-side movement between the wheel and frame. If the wheel moves side-to-side, use the additional 4 pieces of flat washer  $\text{\O}16$  to remove the side-to-side play.
5. Secure the wheel by bending the cotter pin  $\text{\O}5 \times 35$ .
6. Slide the axle bushing and the wheel spacer onto the right side of the axle.
7. Install the wheel and the spacer into the axle, swivel the two holes until they line up, insert the drive pin through sleeve and lock.
8. Slip the flat washer  $\text{\O}16$  onto the end of the axle, then insert the cotter pin  $\text{\O}5 \times 35$  through the hole in the axle. Secure the wheel by bending the cotter pin  $\text{\O}5 \times 35$ .





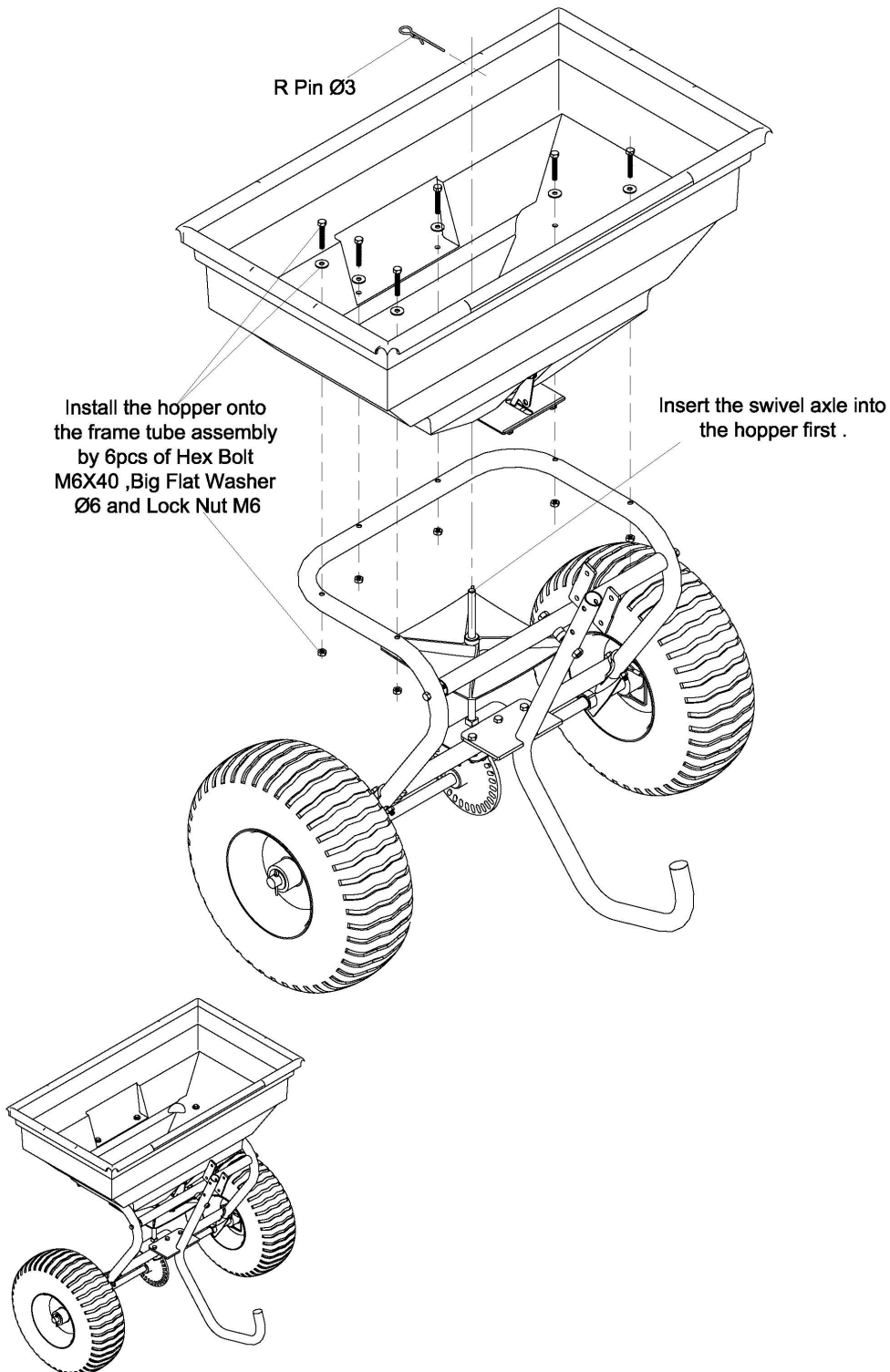
## STEP 2: Assembling the Support Leg

1. Remove the two partially installed Hex Bolt M8x75, Flat Washer and Lock Nut M8 from the middle of the frame as shown in diagram.
2. Flip the Frame Assembly over onto the wheels.
3. Position the support leg so that the J-shaped end is pointing away from the wheel assembly.
4. Position the middle flat plate of the Leg Support on top of the middle cross beam of the Frame Assembly.
5. Insert the hex bolt M8x75 through the hole at the top of the support leg. Slide the spacer onto the hex bolt, then insert the hex bolt into the hole on the upper cross bar of the mounting tube. Fasten with lock nut M8.
6. Insert the two Hex Bolt M6x40 back into the holes in the lower cross beam. Then replace the Flat Washer  $\text{\O}6$  and fasten with the two removed Lock Nut M6.



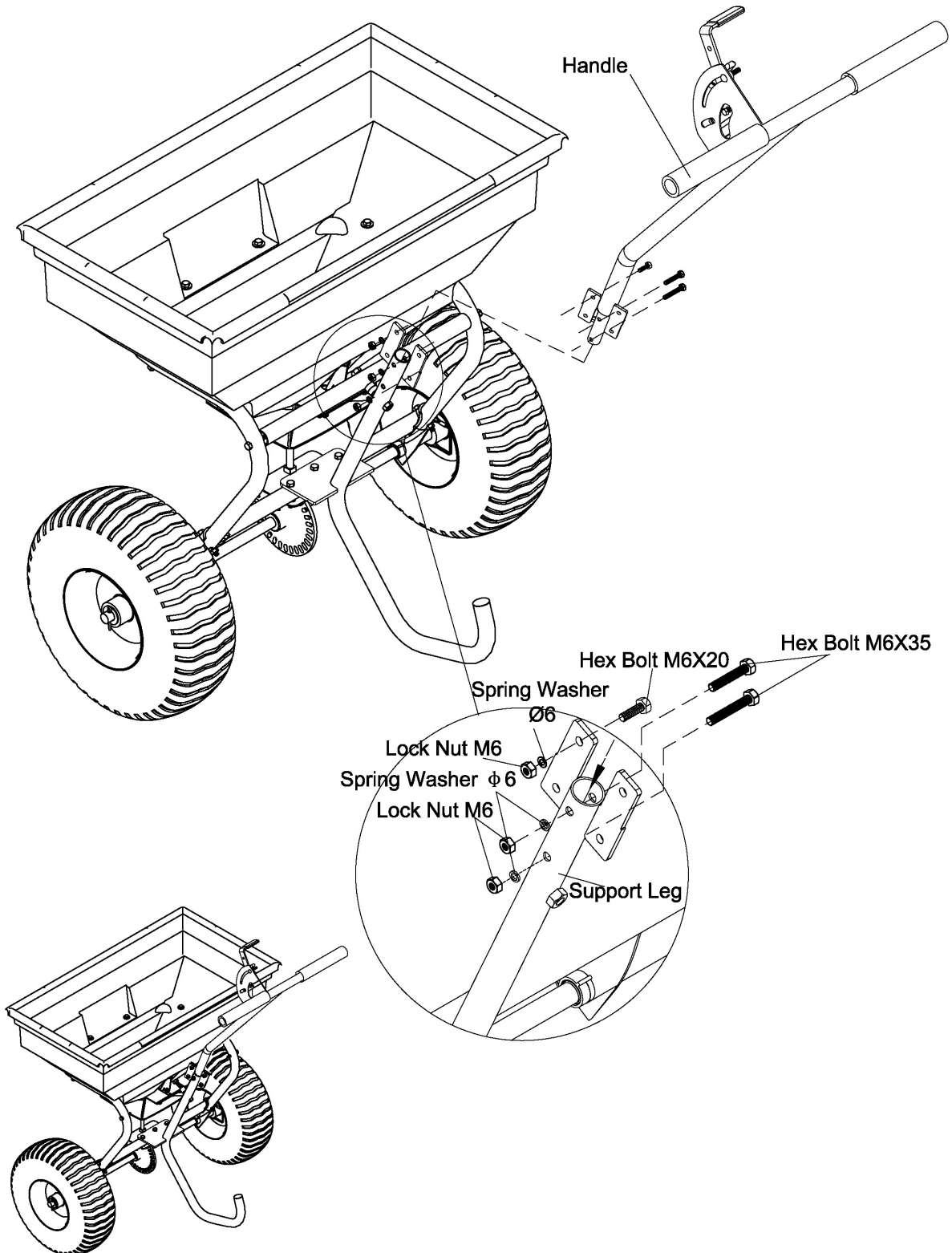
### STEP 3: Installing the Hopper

1. Lower the hopper into the Frame Assembly, carefully line up the hole in the bottom of the hopper with the spindle in the mounting plate of the axle.
2. Using six hex bolt M6 x 40 and six flat washers Ø6, install the hopper to the mounting assembly by passing the bolts through the hopper and mounting tube. Secure with lock nuts M6. Make sure the gear and pinion gear work smoothly. Then tighten all the hardware on the shaft support plate and the hopper. If not, adjust again until the gear and pinion gear swivel smoothly.
3. Insert the R pin Ø3 through the top of the spindle.



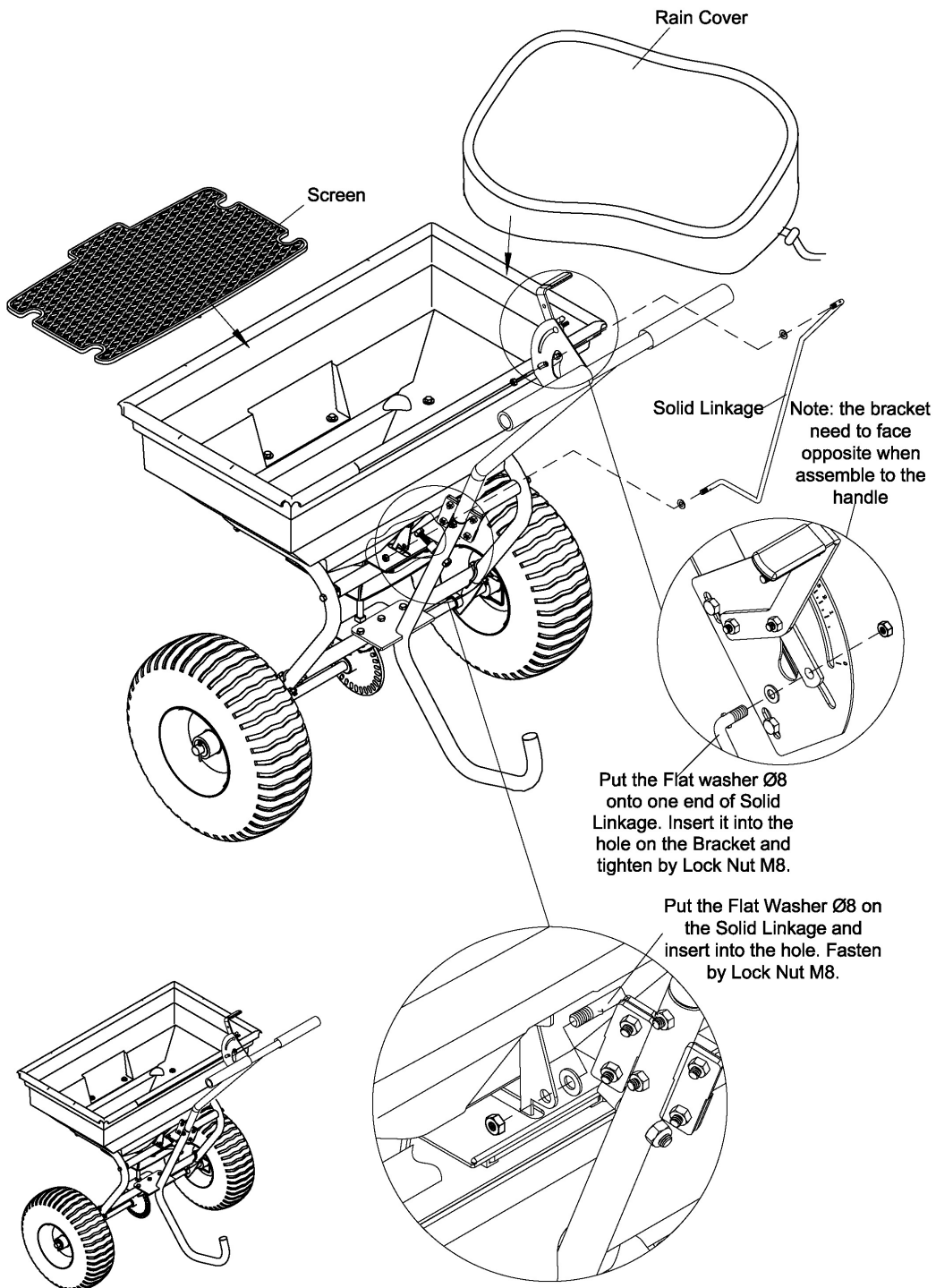
## STEP 4: Connecting Handle to the Support Leg

1. Slide the bottom of the handle tube into the top of the support leg and align the two holes as shown in the diagram below with the Adjustment Handle facing the Hopper.
2. Insert two hex bolts M6x35 into the two holes on the support leg and tighten with spring washers  $\text{\O}6$  and lock nuts M6. Then insert four hex bolts M6x20 into the holes on the plate and tighten with spring washers  $\text{\O}6$  and Lock Nuts M6.



## STEP 5: Connecting the Solid Linkage

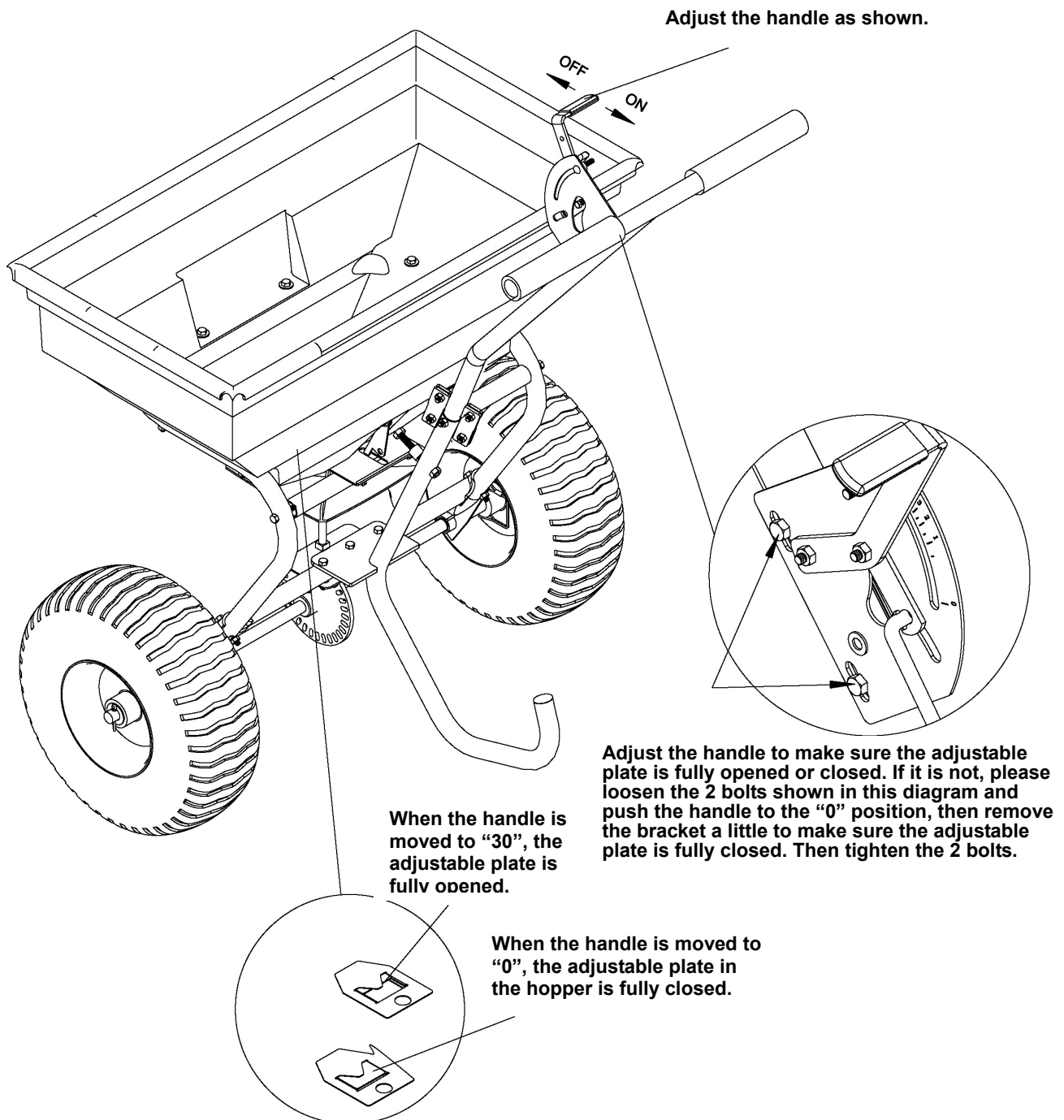
1. Align the Linkage Bar on the right side of the Handle Assembly as shown in the diagram with the 90-degree end at the bottom near the hopper.
2. Insert the bottom end of the Linkage Bar into the metal hole at the base of the Hopper.
3. Put one flat washer Ø8 on the other side of Linkage Bar and tighten with one Lock Nut M8.
4. Insert the other end into the control lever bracket as shown in the diagram.
5. Put one flat washer Ø8 on the other side of Linkage Bar and tighten with one Lock Nut M8.
6. Put the hopper screen into the hopper and install rain cover.



# Operation Instructions

## ADJUSTING THE FLOW

1. The handle adjusts the spreader setting. When the handle is moved to "30", the adjustable plate is fully open, when at "0", it is fully closed.
2. Loosen the wing nut on the Bracket and move the adjustment lever handle up or down depending on the amount of material required. Pushing the handle down will release more material and pulling the handle up will stop the flow entirely.
3. Tighten the wing nut when the desired position is reached.



# Operation Instructions

## WARNING

Before using the push spreader, review the instructions below and safety information before operating. Failure to follow these instructions may result in property damage or injury to the operator or bystanders.

### USING YOUR SPREADER

1. Inspect your spreader before each use. Make sure the wheels turn easily, and the gearbox moves when the spreader is pushed. The hopper should be clean and free from cracks.
2. Spreader is designed to spread a range of materials (Fertilizer, Grass Seed and Ice Melt). Materials such as Powder, Manure, Top Soil, Gravel, and Mulch have the wrong physical characteristics and should not be used with your spreader
3. Do not use the spreader on windy days when spreading grass seed or herbicides.
4. Determine approximate square footage of the area to be covered and estimate amount of material required. Please refer to fertilizer manufacturer's recommendation. Break up any lumpy fertilizer as you fill the hopper.
5. Before filling the hopper, make sure that the flow control lever is in the "0" position and the flow control plate is closed.
6. Set the adjustable stop with the flow control lever always in the "0" position. Every time you are ready to stop or turn back, close the flow control plate to stop dispersing the material and continue one more stride. This reduces waste and avoids damaging the lawn by oversaturating it with the product.
7. Follow the fertilizer manufacturer's recommended coverage rate for each product
8. To maintain the same coverage when walking at a different speed, adjust the flow rate. Reduce the flow setting for slower speeds and increase the flow setting for higher speeds.
9. Keep the impeller plate horizontal when operating the spreader. Tilting the spreader will result in uneven coverage.
10. Make sure the R Pin is installed in the hopper before starting the spreader.
11. Always start walking prior to opening the closure plate.
12. Always close the flow control plate before turning or stopping the spreader.
13. If spreading material is accidentally deposited too heavily in a small area, soak the area thoroughly with a garden hose or sprinkler to prevent burning the lawn.
14. To ensure consistent coverage, make sure each broadcast pattern slightly overlaps the previous broadcast pattern.
15. When broadcasting spreading material, make sure the broadcast pattern does not hit evergreen trees, flowers or shrubs.
16. Do not over-apply spreading material. Follow the recommended coverage rate for each product. Over application will lead to lawn damage and contamination.

# Operation Instructions



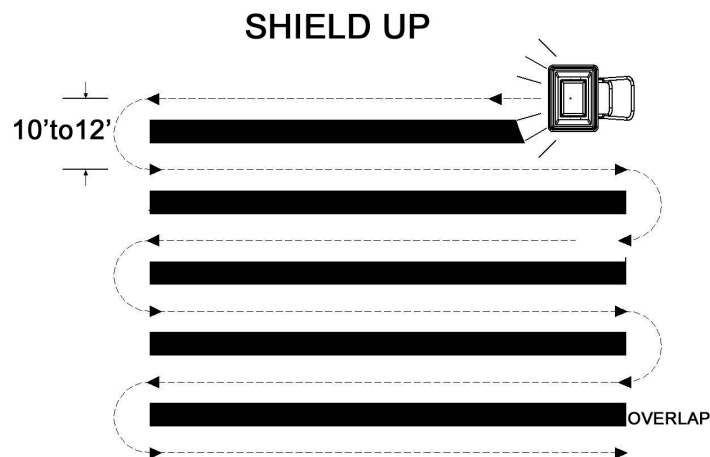
## CAUTION

The spreader settings are guidelines only. The spreader should be calibrated prior to application to ensure accuracy.

The spreader settings are based on a walking speed of 3 MPH. Walking faster or slower will alter the spread application rate. Exact rates depend upon the spreader itself and the accuracy of the person operating it.

## CONSISTENT COVERAGE

To ensure consistent coverage, make sure each broadcast pattern slightly overlaps the previous broadcast pattern as shown in figure below. The approximate broadcast widths for different materials are shown in the application chart.



## WARNING

Do not over apply spreading material. Follow the recommended coverage rate for each product. Over application will lead to damage and contamination. If spreading material accidentally hits or deposits to heavily, soak the area thoroughly with a garden hose or sprinkler to prevent burning.

# SPREADING INSTRUCTIONS

## CALCULATING AMOUNT OF MATERIAL NEEDED

To calculate the amount of fertilizer you will need to cover your lawn, divide the coverage amount listed on the label by the weight of the fertilizer bag. For example, a 10LB. bag of fertilizer with coverage of 10,000 square feet will distribute 1LB. of fertilizer every 1,000 square feet at full rate or 1/2LB. of fertilizer every 1,000 square feet at half rate. For pre-calculated rates see **Chart A** (Example: 25LB. bag with 15,000 sq. ft. coverage = 1.7LB./1,000 sq. ft.). Use **Chart B** to find the closest spreader setting (Example: 1.7LB./1000 sq. ft. = Spreader Setting of 8).

**Chart A - Square Foot Coverage per Bag\***

Weight of Bag (LBS.)	LBS/1,000 SQ FT		
	5,000 SQ FT COVERAGE	10,000 SQ FT COVERAGE	15,000 SQ FT COVERAGE
5	1.0 LB.	0.5 LB.	0.3 LB.
10	2.0 LB.	1.0 LB.	0.7 LB.
15	3.0 LB.	1.5 LB.	1.0 LB.
20	4.0 LB.	2.0 LB.	1.3 LB.
25	5.0 LB.	2.5 LB.	1.7 LB.
30	6.0 LB.	3.0 LB.	2.0 LB.
35	7.0 LB.	3.5 LB.	2.3 LB.
40	8.0 LB.	4.0 LB.	2.7 LB.
45	9.0 LB.	4.5 LB.	3.0 LB.
50	10.0 LB.	5.0 LB.	3.3 LB.
55	11.0 LB.	5.5 LB.	3.7 LB.

\*These are only estimates. Actual amounts may vary.

**Chart B - Spreader Settings/Spread Widths**

MULTI-USAGES	LBS/1,000 SQ FT	SPREADER SETTING	● SMALL PARTICLE SPREAD	● MEDIUM PARTICLE SPREAD	● LARGE PARTICLE SPREAD
FERTILIZER  GRASS SEEDS  ICEMELT	1	5	5-6 FT.	6-9 FT.	9-12 FT.
	2	8	5-6 FT.	6-9 FT.	9-12 FT.
	3	10	5-6 FT.	6-9 FT.	9-12 FT.
	4	13	5-6 FT.	6-9 FT.	9-12 FT.
	5	15	5-6 FT.	6-9 FT.	9-12 FT.
	6	18	5-6 FT.	6-9 FT.	9-12 FT.
	7	20	5-6 FT.	6-9 FT.	9-12 FT.
	8	23	5-6 FT.	6-9 FT.	9-12 FT.
	9	25	5-6 FT.	6-9 FT.	9-12 FT.
	10	28	5-6 FT.	6-9 FT.	9-12 FT.
	11	30	5-6 FT.	6-9 FT.	9-12 FT.

**NOTE: DO NOT USE SALT.** Using salt in this spreader will damage the mechanism and shorten the life of the machine.



# Maintenance and Storage



## WARNING

Improper maintenance and storage of the push spreader may void your warranty.

### MAINTENANCE

- After each use clean material out of hopper.
- Rinse/dry inside and outside of the spreader after each use.
- Before operating make sure the tires have the RECOMMENDED TIRE PRESSURE.
- Periodically check all fasteners for tightness.
- Annually clean and lightly lubricate parts.
- Use a glossy enamel spray paint to touch up scratched or worn painted metal surfaces.
- Never exceed load capacity rating of 125lbs it will damage the spreader.

### IMPORTANT:

If a part needs replacement, only use parts that meet the manufacturer's specifications. Replacement parts that do not meet specifications may result in a safety hazard or poor operations.

### STORAGE

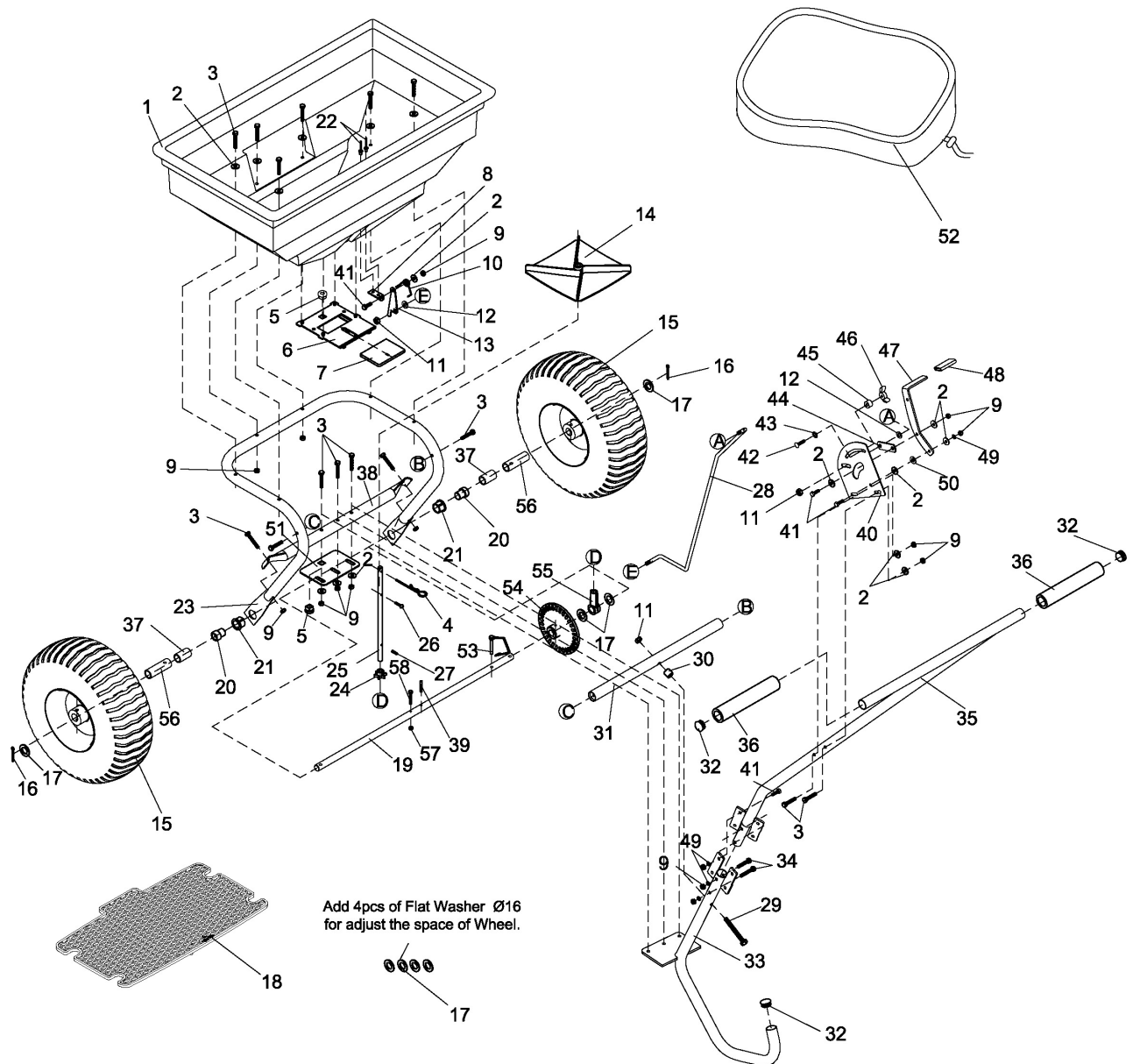
- Never allow material to remain in the hopper for extended periods of time.
- Before storing make sure the spreader is clean and dry for years of trouble-free service.
- Store indoors or protected area during severe weather and winter months.

# Specifications

Load Capacity .....	125lb
Spreader Type .....	Broadcast
Hopper Material .....	Polypropylene
Hopper Dimensions .....	29.5" x 16.5"x13.4"
Overall Dimensions .....	43.3"x31.5"x33.5"
Wheel size .....	14"

The manufacturer reserves the right to make improvements in design and/or changes in specifications at any time without incurring any obligation to install them on units previously sold.

# Parts Drawing



## Parts List

Ref#	Drawing No.	Description	Qty
1	N512-00020	Hopper	1
2	9302-06000-DG	Big Flat Washer Ø6	16
3	9101-06040-DG	Hex Bolt M6x40	15
4	N512-00026-DG	R Pin Ø3	1
5	N512-00009	Bearing	2
6	N512-00021	Fixed Adjustable Plate	1
7	N512-00022	Active Adjustable Plate	1
8	N512-00023-DG	Base for Spring	1
9	9206-06000-DG	Hex Lock Nut M6	22
10	N512-00025-DG	Spring	1
11	9206-08000-DG	Hex Lock Nut M8	3
12	9301-08000-002	Flat Washer Ø8	2
13	N512-00024-DG	Fixed Plate for Connecting Rod	1
14	N514-00004	Impeller	1
15	N560-80000	Wheel	2
16	9404-05035-DG	Cotter Pin Ø5x35	2
17	9301-16000-DG	Flat Washer Ø16	8
18	N575-00003	Screen	1
19	N514-00001-DG	Axle	1
20	N570-00018	Inner Axle Bushing	2
21	N570-00011	Outer Axle Bushing	2
22	9504-05008-DG	Rivet Ø5x8	2
23	N512-00001	Frame Tube Assembly	1
24	N512-00007	Pinion Gear	1
25	N514-00005-DG	Swivel Axle	1
26	9110-04020-DG	Screw M4x20	1
27	9402-03016-DG	Spring Pin Ø3x16	1
28	N575-00009-DG	Solid Linkage	1
29	9101-08075-DG	Hex Bolt M8x75	1
30	N575-00004-DG	Spacer	1
31	N575-20000	Fixed Crossover Tube	1
32	T680-00003	Plastic Cap	3
33	N576-01000	Support Tube	1
34	9101-06035-DG	Hex Bolt M6x35	2
35	N575-50000	Handle	1

## Parts List

Ref#	Drawing No.	Description	Qty
36	N570-00009	Handle Cover	2
37	N514-00002-DG	Axle Bushing	2
38	N512-00002	Crossover Tube	1
39	9402-04025-DG	Spring Pin Ø4x30	1
40	N575-00006-DG	Bracket	1
41	9101-06020-DG	Hex Bolt M6x20	7
42	9114-06025-DG	Carriage Bolt M6x25	1
43	9315-08000-DG	Teeth Lock Washer Ø8	1
44	N512-00027-DG	Connecting Plate	1
45	N510-00016	Spacer	1
46	N510-00019	Wing Nut M6	1
47	N760-00012	Adjusting Handle	1
48	N512-00014	Handle Cover	1
49	9306-06000-DG	Spring Washer Ø6	7
50	C130-00004	Nylon Washer	1
51	N512-00008-DG	Shaft Support Plate	1
52	N514-00007	Rain Cover	1
53	T680-30000	Drive Pin	1
54	N512-00018	Gear (Driver)	1
55	N512-00019	Shaft Support Cap	1
56	N514-00003-DG	Wheel Bushing	2
57	9206-05000-DG	Hex Lock Nut M5	1
58	9101-05040-DG8.8	Hex Bolt M5x40	1

# Limited Warranty

## **Warranty**

For one year from the date of purchase YTL International will replace for the original purchaser, or repair the spreader. The warranty will not apply to any unit which was not assembled correctly, misused, overloaded or which has been used or operated contrary to our instructions, or which has been repaired or altered by anyone other than an authorized representative.

## **Warranty Exclusions**

This warranty does not cover cosmetic defects such as paint, decals or wear items such as tires. This warranty will not cover failures or problems due to acts of God, or events or forces beyond the control of the manufacturer.

## **Normal Wear Exclusion**

The spreader needs periodic service to perform well. This warranty does not cover repair when normal use has exhausted the life of a part or the equipment as a whole.

## **Installation, Use and Maintenance Exclusion**

This warranty will not apply to parts and/or labor if the spreader has been misused, neglected, involved in an accident, abused, loaded beyond its limits, modified or assembled incorrectly. Normal maintenance is not covered under this warranty.

## **Limits of Implied Warranty and Consequential Damage Exclusion**

YTL International disclaims any obligation to cover any loss of time, use of this product, freight, or any incidental or consequential claim by anyone from using this spreader. THIS WARRANTY IS IN LIEU OF ALL OTHER WARRANTIES, EXPRESS OR IMPLIED, INCLUDING WARRANTIES OF MERCHANTABILITY OR FITNESS FOR A PARTICULAR PURPOSE.

An exchange unit will be subject to the original warranty. The length of the warranty governing the exchanged unit will have the date as the purchase date of the original unit. This warranty gives you certain legal rights which may change from state to state. Your state may also have other rights you may be entitled to that are not listed within this warranty.

## **Contact Information**

YTL International Inc.  
17517 Fabrica Way, Suite H  
Cerritos, CA 90703  
Phone: (888) 723-6534  
Email: [parts@ytlinternational.com](mailto:parts@ytlinternational.com)  
Website: [www.ytlinternational.com](http://www.ytlinternational.com)