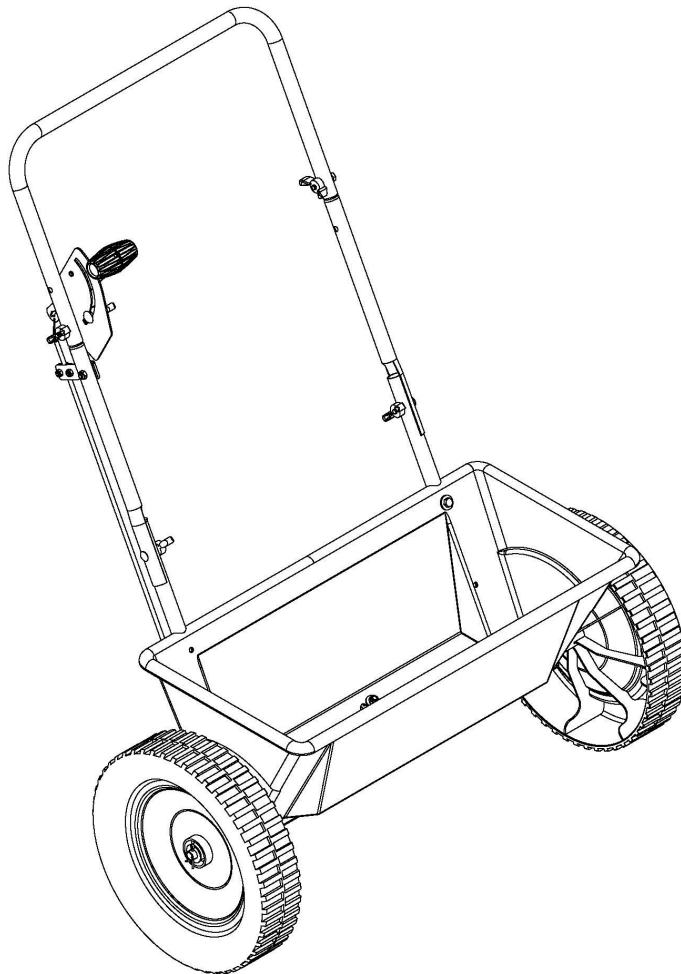


60 LB PUSH DROP SPREADER



Instruction & Assembly

SAVE THESE INSTRUCTIONS FOR FUTURE REFERENCE

Table of Contents

General Warnings and Rules	3
Hazard Signal Word Definitions	4
Controls and Features Identification	5
Component Parts.....	6
Assembly Instructions.....	7, 8, 9
Adjust Method.....	10
Operation Instructions.....	11, 12
Spreading Instructions	13
Maintenance and Storage.....	14
Specification	14
Parts Drawing & Parts List.....	15,16
Limited Warranty.....	17

GENERAL WARNINGS

READ and UNDERSTAND this manual completely before using Drop Spreader.

Operator must read and understand all safety and warning information, operating instructions, maintenance and storage instructions before operating this equipment. Failure to properly operate and maintain the drop spreader could result in serious injury to the operator or bystanders.

Operation Warnings

- Do not at any time carry passengers sit or stand on the spreader.
- Do not allow children to play on, stand upon or climb in the spreader.
- Always inspect the spreader before using to assure it is in good working condition.
- Replace or repair damaged or worn parts immediately.
- Always check and tighten hardware and assembled parts before operation.
- Do not exceed equipment maximum load capacity of 60lb.
- Avoid large holes and ditches when operating the spreader.
- Always push the spreader do not pull the spreader.
- Be careful when operating on steep grades (hill) the spreader may tip over.
- Do not push close to creeks, ditches and public highways.
- Do not use spreader on windy days when spreading grass seed or herbicides.
- Always use caution when loading and unloading spreader.
- Never tow the spreader with a motorized vehicle.

Crush and Cut Hazards

- Always keep hands and feet clear from moving parts while operating the equipment.
- Always clear and keep work area clean and free from debris when operating.
- Always wear safety gear, eye protection, gloves and work boots when operating the spreader.

WARNING

The warnings, cautions, and instructions outlined in this instruction manual cannot cover all possible conditions or situations that may occur. It must be understood by the operator that common sense and caution are factors which cannot be built into this product and must be supplied by the operator.






PROP 65 WARNING

This product can expose you to chemicals including lead and lead compounds which are known to the State of California to cause cancer and birth defects or other reproductive harm. For more information, go to www.P65Warnings.ca.gov

Assembly Is Required

This product requires assembly before use. See “Assembly” section for instructions. Because of the weight and/or size of the drop spreader, it is recommended that another adult be present to assist with the assembly. **INSPECT ALL COMPONENTS** closely upon receipt to make sure no components are missing or damaged.

Hazard Signal Word Definitions

	<p>This is the safety alert symbol. It is used to alert you to potential personal injury hazards. Obey all safety messages that follow this symbol to avoid possible injury or death.</p>
	<p>DANGER indicates an imminently hazardous situation which, if not avoided, will result in death or serious injury.</p>
	<p>WARNING indicates a potentially hazardous situation which, if not avoided, could result in death or serious injury.</p>
	<p>CAUTION indicates a potentially hazardous situation which, if not avoided, may result in minor or moderate injury.</p>
	<p>CAUTION used without the safety alert symbol indicates a potentially hazardous situation which, if not avoided, may result in property damage.</p>

ABOUT YOUR DROP SPREADER

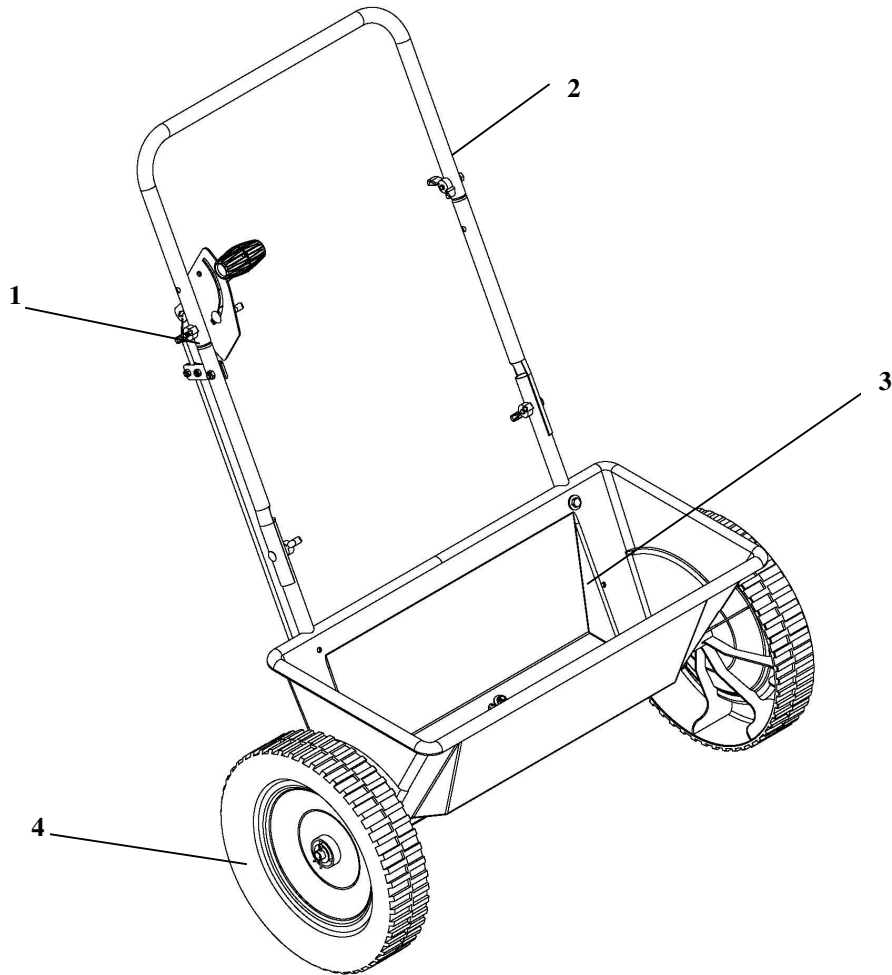
This drop spreader is designed to spreader a wide range of materials (Pesticides, Pelletized Lime, Fertilizer, and Grass Seed). Materials such as Powders, Manure, Top Soil, Gravel, and Mulch have the wrong physical characteristics and should not be used with this spreader. It is an easy and convenient way to feed or fertilize grass that is adjacent to vegetable gardens, sidewalks, or plant beds. Drop spreaders are great at keeping material waste to a minimum with even coverage. Never exceed the rated load capacity of 60lbs when operating the spreader.

Your drop spreader needs to be pushed at three miles per hour, which is a brisk walking speed. Slower or faster speeds will change the spread coverage. Wet spreading material will also change the flow rate. Clean your spreader thoroughly after each use. Wash between the moving parts at bottom of the hopper.

Technical specifications on the drop spreader are provided in the “Specifications” section of this manual.

Controls and Features Identification

Read this owner's manual before operating the equipment. Familiarize yourself with the location and function of the controls and features. Save this manual for future reference.



- 1) **Flow Control Handle** – Controls the flow of material being spread.
- 2) **U-Handle** – Maneuvers the drop spreader.
- 3) **Hopper** – Do not exceed rated load capacity 60lb.
- 4) **Non-Flat Tires / Wheels** – Heavy duty plastic.



CAUTION

Read and follow all instructions for assembly and operation. Failure to properly assemble this equipment could result in serious injury to the user or bystanders, or cause equipment damage.












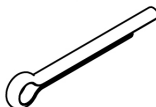


DROP SPREADER COMPONENT PARTS AND ASSEMBLY

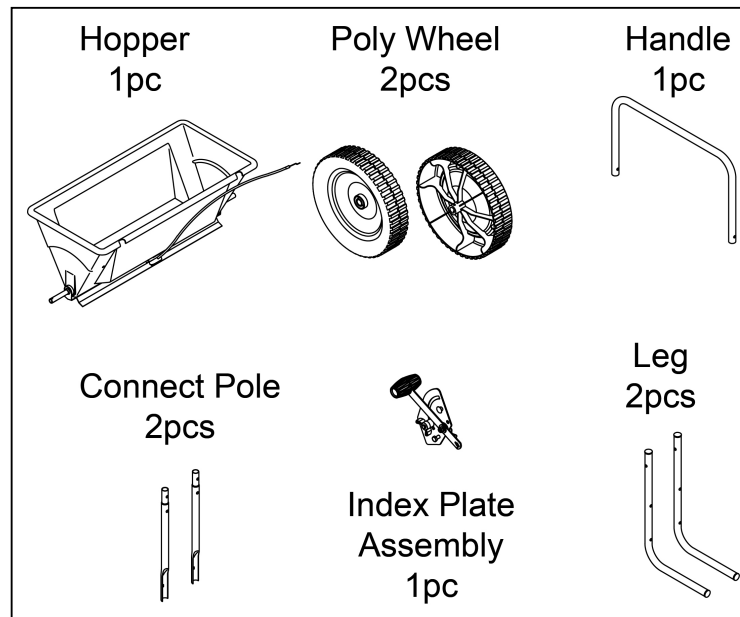
Take all parts out of the shipping crate and inspect components to ensure there are no missing pieces before starting to assemble the drop spreader follow steps 1 through 3.

TOOLS REQUIRED

- 10mm Wrench
- Pliers

Component Parts

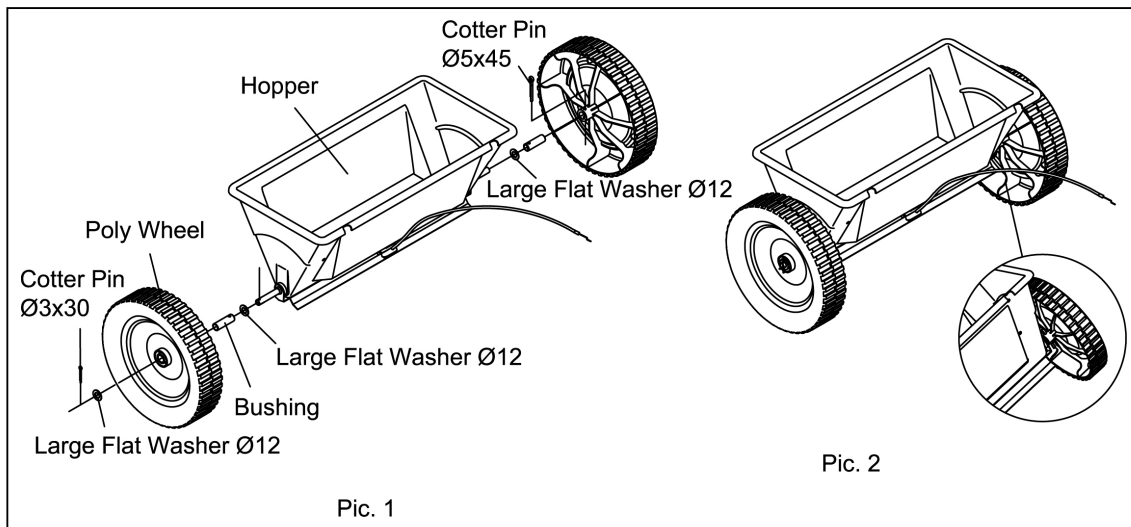
Hex Bolt M6x30 7pcs 	Hex Bolt M6x30 4pcs 	Screw M5x10 2pcs 	Carriage Bolt M6x35 2pcs 	Lock Nut M5 2pcs 	Lock Nut M6 3pcs 	Wire Crip Bottom Plate 1pc 
Wing Nut M6 10pcs 	Large Flat Washer Ø12 3pcs 	Flat Washer Ø6 4pcs 	Cotter Pin Ø3x30 1pc 	Cotter Pin Ø5x45 1pc 	Wire Crip Plate 1pc 	Bushing 2pcs 



Assembly Instructions

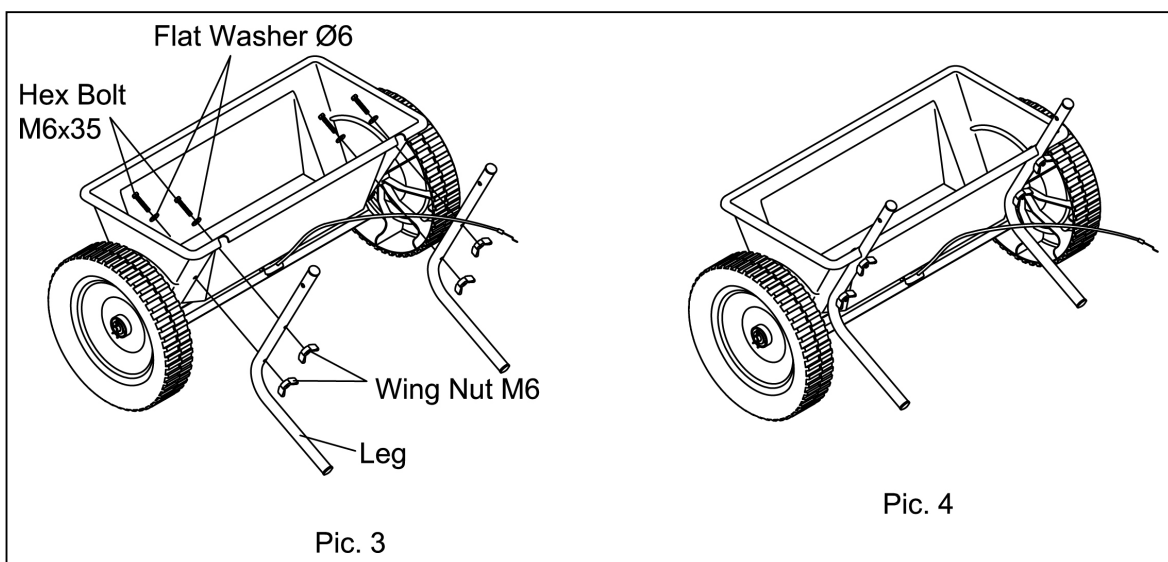
STEP 1: Attach Wheels to Hopper Assembly

1. As seen in Pic. 1, place a Large Flat Washer $\text{\O}12$ over each hopper axle. Add a metal Bushing to each axle. Then attach each Poly Wheel with the smooth side facing out.
2. Locate the axle side with a hole in the axle on the outside of the wheel. Insert the Cotter Pin $\text{\O}3\times30$ into this hole and bend the ends to lock in place.
3. Turn the opposite wheel until the hole on the inside of the wheel aligns with the bushing, the wheel and the axle.
4. Insert Cotter Pin $\text{\O}5\times45$ through that hole and bend the ends to lock in place.



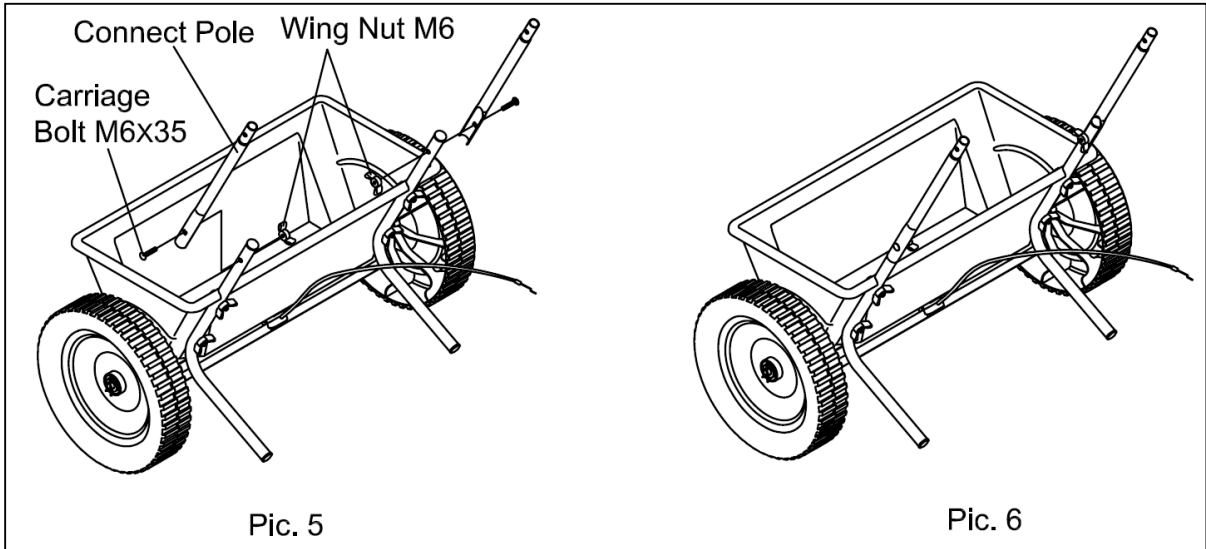
STEP 2: Attach Support Legs to Hopper Assembly

1. As seen in Pic. 3, place one leg against the back of the hopper with the end without holes facing down. Align the holes and insert two Hex Bolt M6x35 with a Flat Washer $\text{\O}6$ from the inside of the hopper. Then tighten with two Wing Nut M6.
2. Repeat these steps to secure the second leg. See Pic.4.



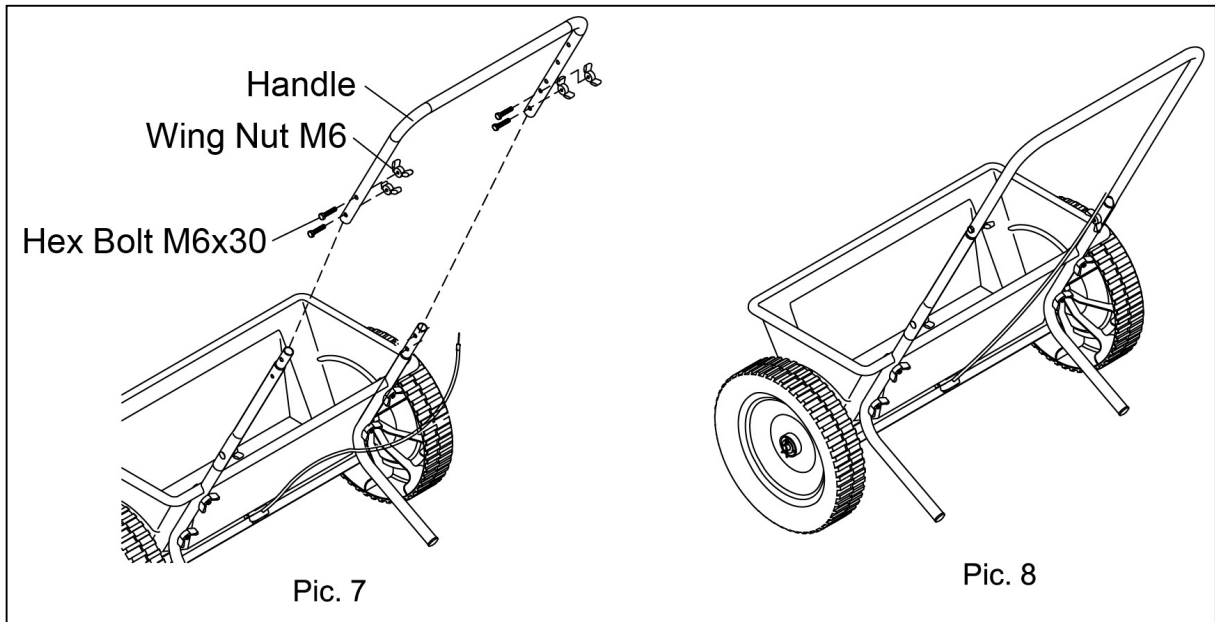
STEP 3: Attach Connect Poles to Support Legs

1. As seen in Pic.5, place the flat end of a Connect Pole on the outside of a Leg.
2. Then insert a Carriage Bolt M6X35 and tighten with a Wing Nut M6.
3. Repeat these steps to secure the second Connect Pole. See Pic.6.



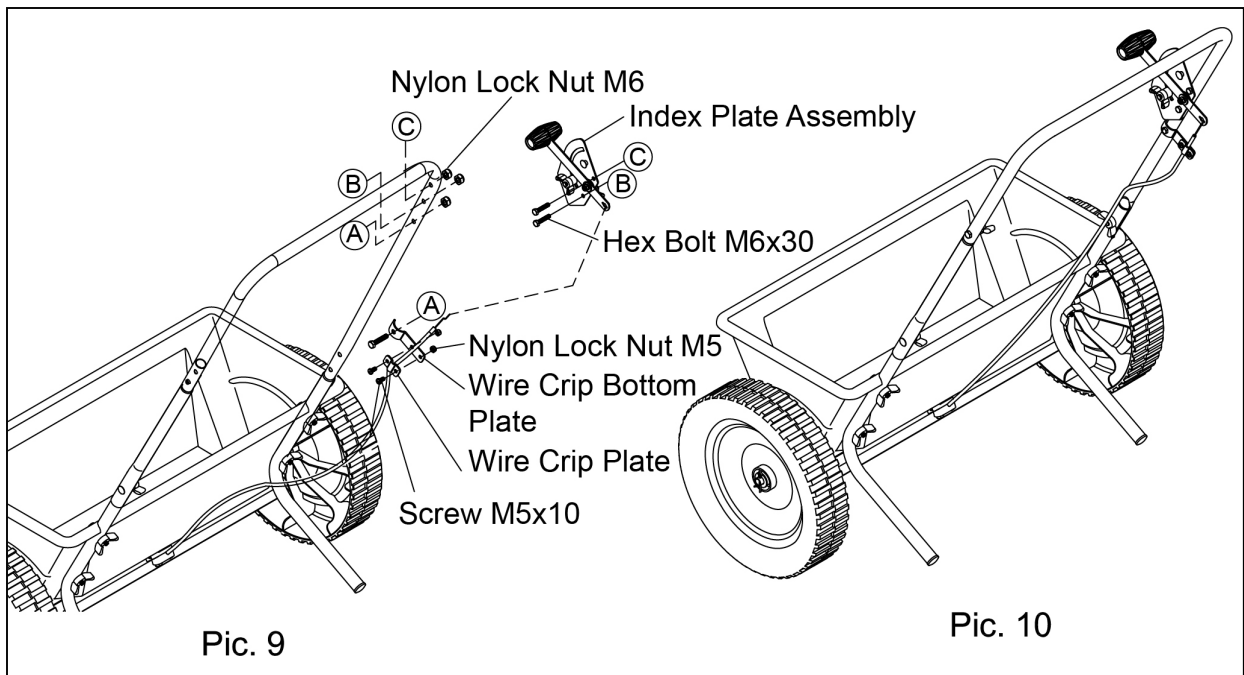
STEP 4: Attach U-Handle to Connect Poles

1. As per Pic.7, slide the Handle over the top of the two Connect Poles.
2. Insert 4 Hex Bolt M6X30 through the two lowest holes in the outside of the Handle and tighten with 4 Wing Nut M6.

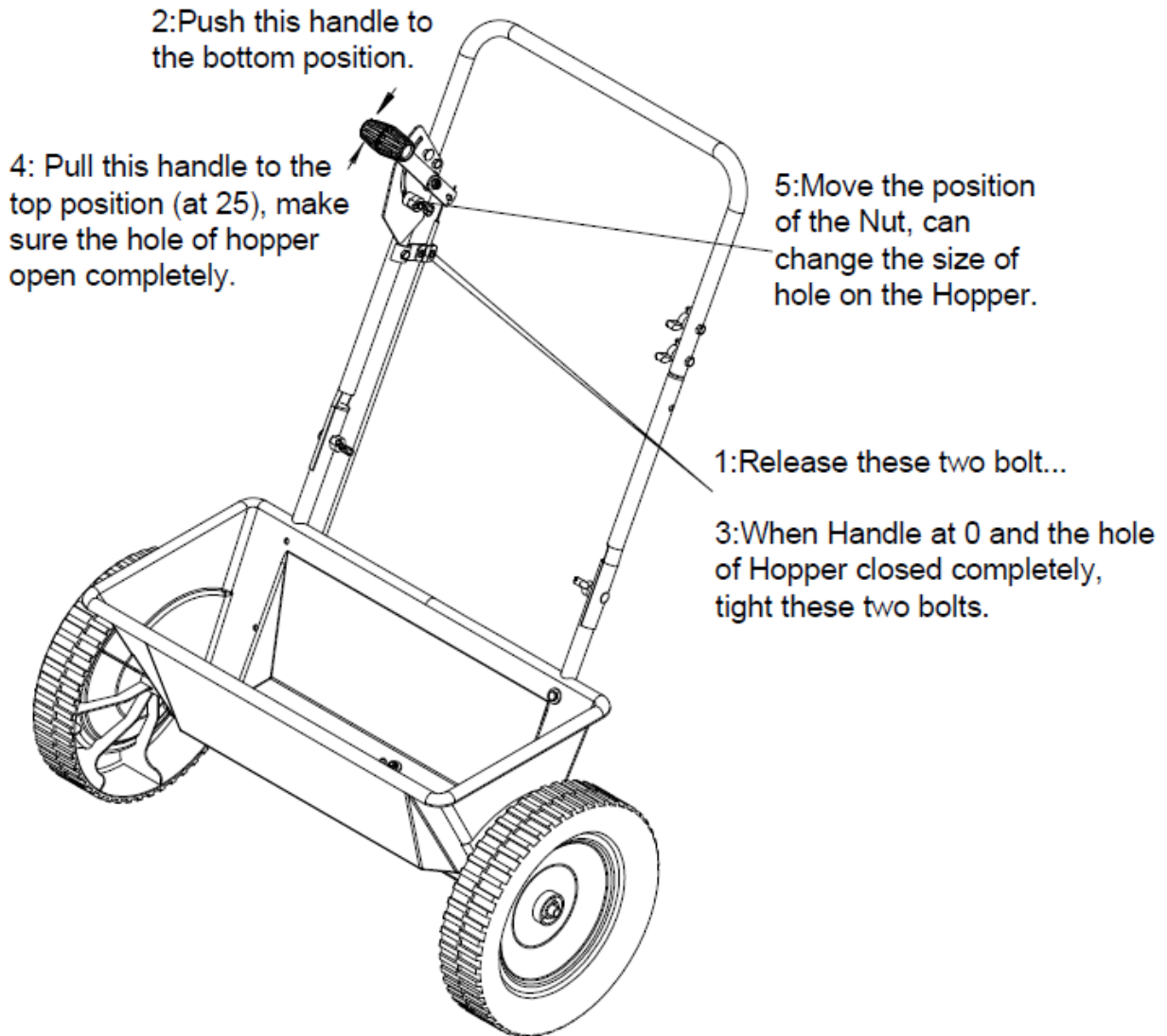


STEP 5: Attach Index Plate Assembly to U-Handle

1. Place the rounded end of the Wire Crip Bottom Plate over the 3rd hole from the bottom on the right side of the Handle.
2. Then insert Hex bolt M6x30 and fasten with Lock Nut M6.
3. Place the Control Wire through the small end of the Wire Crip Bottom Plate and secure wire and secure wire in place just below the metal crimp at the end of the wire with Screw M5x10 and Nylon Lock Nut M5.
4. Fasten Attach Index Plate Assembly on the inner side of the top right handle with 2 Hex Bolt M6x30 and Nylon Lock Nut M6.
5. Thread the bent end of the control wire through the bottom of the control arm on the Attach Index Plate Assembly.



ADJUSTING METHOD



Operation Instructions

WARNING

Before using the drop spreader, review the instructions below and safety information before operating. Failure to follow these instructions may result in property damage or injury to the operator or bystanders.

USING YOUR SPREADER

1. Inspect your spreader before each use. Make sure the wheels turn easily when the spreader is pushed. The hopper should be clean and free from cracks.
2. Spreader is designed to spread a range of materials (Pesticides, Pelletized Lime, Fertilizer, and Grass Seed). Materials such as Powder, Manure, Top Soil, Gravel, and Mulch have the wrong physical characteristics and should not be used with your spreader.
3. Do not use spreader on windy days when spreading grass seed or herbicides.
4. Determine approximate square footage of the area to be covered and estimate amount of material required. Please refer to fertilizer manufacturer's recommendation. Break up any lumpy fertilizer as you fill the hopper.
5. Before filling the hopper, make sure the flow control handle is in the "0" position and the flow control is closed.
6. Every time you are ready to stop or turn back, close the flow control to stop dispersing the material and continue one more stride. This reduces waste and avoids damaging the lawn with oversaturated product coverage.
7. Follow fertilizer manufacturer's recommended coverage rate for each product.
8. To maintain the same coverage when walking at a different speed, adjust the flow rate. Reduce the flow setting for slower speeds and increase the flow setting for higher speeds.
9. Keep spreader horizontal when operating. Tilting the spreader will result in uneven coverage.
10. Always start walking prior to opening the flow control rate.
11. Always close the flow control before turning or stopping the spreader.
12. If spreading material is accidentally deposited too heavily in a small area, soak the area thoroughly with a garden hose or sprinkler to prevent burning of the lawn.
13. Apply two header strips at each end of area to be treated and then proceed lengthwise between the header strips.
14. To ensure consistent coverage, make sure each drop pattern slightly overlaps the previous drop pattern.
15. When dropping material, make sure the material does not hit evergreen trees, flowers or shrubs.
16. Do not over apply spreading material. Follow the recommended coverage rate for each product. Over application will lead to lawn damage and contamination.

Operation Instructions

ADJUSTING FLOW CONTROL

1. For proper material flow settings refer to the spreading instructions section.
2. Move the bolt on flow control assembly to the proper setting and tighten.
3. Pushing the spreader forward at a brisk walking speed to ensure consistent coverage of material.
4. To stop or turning, move the flow control handle to the closed position before stopping or turning.



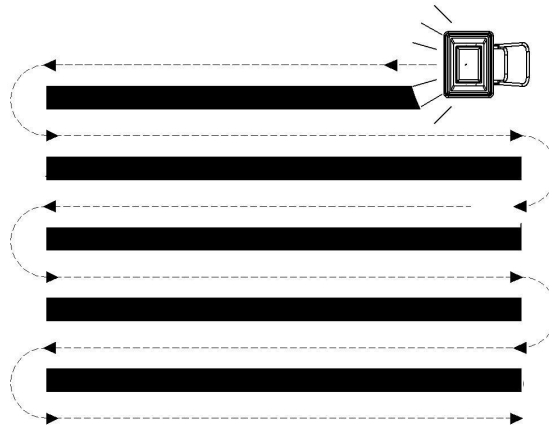
CAUTION

The spreader settings are guidelines only. The spreader should be calibrated prior to application to ensure accuracy.

The spreader settings are based on a walking speed of 3 MPH. Walking faster or slower will alter the spread application rate. Exact rates depend upon the spreader itself and the accuracy of the person operating it.

CONSISTENT COVERAGE

To ensure consistent coverage, make sure each drop pattern slightly overlaps the previous pattern as shown in the figure below.



WARNING

Do not over apply material. Follow the recommended coverage rate for each product. Over application will lead to damage and contamination. If spreading material accidentally hits or deposits to heavily, soak the area thoroughly with a garden hose or sprinkler to prevent burning.

Spreading Instructions

CALCULATING AMOUNT OF MATERIAL NEEDED

To calculate the amount of fertilizer you will need to cover your lawn, divide the coverage amount listed on the label by the weight of the fertilizer bag. For example, a 10LB. bag of fertilizer with coverage of 10,000 square feet will distribute 1LB. of fertilizer every 1,000 square feet at full rate or 1/2LB. of fertilizer every 1,000 square feet at half rate. For pre-calculated rates see **Chart A** (Example: 25LB. bag with 15,000 sq. ft. coverage = 1.7LB./1,000 sq. ft.). Use **Chart B** to find the closest spreader setting (Example: 1.7LB./1000 sq. ft. = Spreader Setting of 5).

Chart A - Square Foot Coverage per Bag*

Weight of Bag (LBS.)	LBS/1,000 SQ FT		
	5,000 SQ FT COVERAGE	10,000 SQ FT COVERAGE	15,000 SQ FT COVERAGE
5	1.0 LB.	0.5 LB.	0.3 LB.
10	2.0 LB.	1.0 LB.	0.7 LB.
15	3.0 LB.	1.5 LB.	1.0 LB.
20	4.0 LB.	2.0 LB.	1.3 LB.
25	5.0 LB.	2.5 LB.	1.7 LB.
30	6.0 LB.	3.0 LB.	2.0 LB.
35	7.0 LB.	3.5 LB.	2.3 LB.
40	8.0 LB.	4.0 LB.	2.7 LB.
45	9.0 LB.	4.5 LB.	3.0 LB.
50	10.0 LB.	5.0 LB.	3.3 LB.

*These are only estimates, actual amounts may vary.

Chart B – Drop Spreader Settings*

MULTI-USAGES	LBS/1,000 SQ FT	SPREADER SETTING	CAUTION
	1	10	
FERTILIZER	2	12	<p><i>The spreader settings are guidelines only. The spreader should be calibrated prior to application to ensure accuracy.</i></p> <p><i>The spreader settings are based on a walking speed of 3 MPH. Walking faster or slower will alter the spread application rate. Exact rates depend upon the spreader itself and the accuracy of the person operating it.</i></p>
	3	14	
	4	15	
	5	17	
GRASS SEEDS	6	18	
PESTICIDES	7	20	
	8	21	
	9	23	
	10	25	

*These are only estimates, actual spreader settings may vary depending on material.

Maintenance and Storage



WARNING

Improper maintenance and storage of the drop spreader may void your warranty.

MAINTENANCE

- After each use clean material out of hopper.
- Rinse/dry inside and outside of the spreader after each use.
- Periodically check all fasteners for tightness.
- Annually clean and lightly lubricate moving parts or as needed.
- Use a glossy enamel spray paint to touch up scratched or worn painted metal surfaces.
- Never exceed load capacity rating of 60lbs it will damage the spreader.

IMPORTANT:

If a part needs replacement, only use parts that meet the manufacturer's specifications. Replacement parts that do not meet specifications may result in a safety hazard or poor operations.

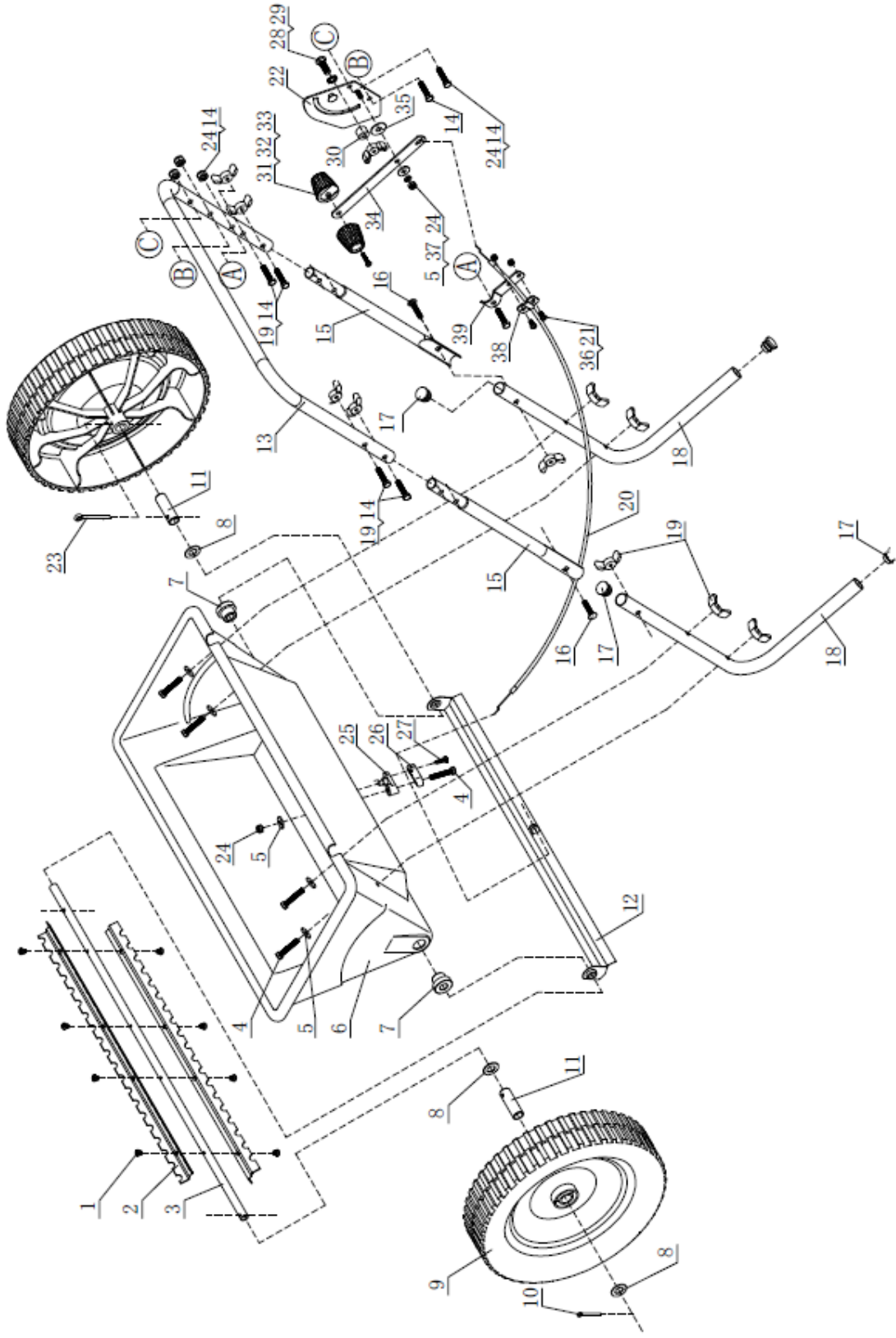
STORAGE

- Never allow material to remain in the hopper for extended periods of time. Return unused product to its original container.
- Before storing make sure the spreader is clean and dry for years of trouble-free service.
- Store indoors or protected area during severe weather and winter months.

Specifications

Load Capacity	60lb (27.2kg)
Spreader Type	Drop
Hopper Material	Polypropylene
Hopper Dimensions	23.6" x 11.6" x 9" (59.9x11.6x22.9cm)
Handle Length.....	34.25" (87cm)
Wheel Size.....	12" (30.5cm)

Parts Drawing & Parts List



Parts Drawing & Parts List

Ref#	Drawing No.	Description	Qty
1	9110-05006-DG	Screw M5x6	8
2	N990-00001-DX	Scratch Board	2
3	N990-00002-DX	Wheel Axle	1
4	9101-06035-DG	Hex Bolt M6X35	5
5	9302-06000-DG	Big Flat Washer Ø6	6
6	N990-00003	Hopper	1
7	N990-00010	Axle Bushing	2
8	9301-12000-DG	Flat Washer Ø12	3
9	N990-00009	Poly Wheel	2
10	9404-03030-DG	Cotter Pin Ø3X30	1
11	N990-00004-DG	Bushing	2
12	N990-40000-DG	Rotating Door Assembly	1
13	N991-00004	Handle	1
14	GB5781/M6*30/DG	Hex Bolt M6X30	7
15	N991-00002	Connect Pole	2
16	9114-06035-DG	Carriage Bolt M6X35	2
17	N990-00011	End Cap	4
18	N990-00008	Support Leg	2
19	N510-00019	Wing Nut	11
20	N991-02000	Adjustable Wire	1
21	9110-05010-DG	Screw M5X10	2
22	N580-10000-DG	Index Plate Assembly	1
23	9404-05045-DG	Cotter Pin Ø5X45	1
24	9206-06000-DG	Nylon Lock Nut M6	5
25	N990-30001	Wire Lock -1	1
26	N990-30002	Wire Lock -2	1
27	9118-05020-DG	Screw M5x20	1
28	9114-06025-DG	Carriage Bolt M6X25	1
29	9315-08000-DG	Outer Teeth Washer Ø8	1
30	N510-00016	Spacer	1
31	N570-00014	Adjustable Handle A	1
32	N570-00015	Adjustable Handle B	1
33	9118-04018-DG	Screw M4x18	1
34	N580-00005-DG	Adjustable Handle Rod	1
35	C130-00004	Nylon Washer	1
36	9206-05000-DG	Nylon Lock Nut M5	2
37	9306-06000-DG	Lock Washer Ø6	1
38	N580-00009-DG	Wire Crip plate	1
39	N580-00008-DG	Wire Crip Bottom Plate	1

Limited Warranty

Warranty

For one year from the date of purchase YTL International will replace for the original purchaser, or repair the spreader. The warranty will not apply to any unit which was not assembled correctly, misused, overloaded or which has been used or operated contrary to our instructions, or which has been repaired or altered by anyone other than an authorized representative.

Warranty Exclusions

This warranty does not cover cosmetic defects such as paint, decals or wear items such as tires. This warranty will not cover failures or problems due to acts of God, or events or forces beyond the control of the manufacturer.

Normal Wear Exclusion

The spreader needs periodic service to perform well. This warranty does not cover repair when normal use has exhausted the life of a part or the equipment as a whole.

Installation, Use and Maintenance Exclusion

This warranty will not apply to parts and/or labor if the spreader has been misused, neglected, involved in an accident, abused, loaded beyond its limits, modified or assembled incorrectly. Normal maintenance is not covered under this warranty.

Limits of Implied Warranty and Consequential Damage Exclusion

YTL International disclaims any obligation to cover any loss of time, use of this product, freight, or any incidental or consequential claim by anyone from using this spreader. THIS WARRANTY IS IN LIEU OF ALL OTHER WARRANTIES, EXPRESS OR IMPLIED, INCLUDING WARRANTIES OF MERCHANTABILITY OR FITNESS FOR A PARTICULAR.

An exchange unit will be subject to the original warranty. The length of the warranty governing the exchanged unit will have the date as the purchase date of the original unit. This warranty gives you certain legal rights which may change from state to state. Your state may also have other rights you may be entitled to that are not listed within this warranty.

Contact Information

YTL International Inc.
17517 Fabrica Way, Suite H
Cerritos, CA 90703
Phone: (888) 723-6534
Email: parts@ytlinternational.com
Website: www.ytlinternational.com