

# 50 LB PUSH SPREADER



## Instruction & Assembly

**SAVE THESE INSTRUCTIONS FOR FUTURE REFERENCE**

# Table of Contents

General Warnings and Rules.....	3
Hazard Signal Word Definitions.....	4
Controls and Features Identification.....	5
Component & Hardware.....	6
Assembly Instructions .....	7, 8,9,10,11
Operation Instructions .....	12
Maintenance and Storage & Specification .....	13
Parts Drawing & Parts List .....	14,15,16
Limited Warranty .....	17

## **GENERAL WARNINGS**

### **READ and UNDERSTAND this manual completely before using Push Spreader.**

Operator must read and understand all safety and warning information, operating instructions, maintenance and storage instructions before operating this equipment. Failure to properly operate and maintain the push spreader could result in serious injury to the operator or bystanders.

#### **Operation Warnings**

- Do not at any time carry passengers sit or stand on the spreader.
- Do not allow children to play on, stand upon or climb in the spreader.
- Always inspect the spreader before using to assure it is in good working condition.
- Replace or repair damaged or worn parts immediately.
- Always check and tighten hardware and assembled parts before operation.
- Do not exceed equipment maximum load capacity of 50lb.
- Avoid large holes and ditches when transporting loads.
- Be careful when operating on steep grades (hill) the spreader may tip over.
- Do not push close to creeks, ditches and public highways.
- Do not use spreader on windy days when spreading grass seed or herbicides.
- Always use caution when loading and unloading spreader.
- Never tow the spreader with a motorized vehicle.

#### **Crush and Cut Hazards**

- Always keep hands and feet clear from moving parts while operating the equipment.
- Always clear and keep work area clean when operating.
- Always wear safety gear, eye protection, gloves and work boots when operating the spreader.

#### **WARNING**

The warnings, cautions, and instructions outlined in this instruction manual cannot cover all possible conditions or situations that may occur. It must be understood by the operator that common sense and caution are factors which cannot be built into this product and must be supplied by the operator.






#### **PROP 65 WARNING**

This product can expose you to chemicals including lead and lead compounds which are known to the State of California to cause cancer and birth defects or other reproductive harm. For more information, go to [www.P65Warnings.ca.gov](http://www.P65Warnings.ca.gov)

#### **Assembly Is Required**

This product requires assembly before use. See “Assembly” section for instructions. Because of the weight and size of the push spreader, it is recommended that another adult be present to assist with the assembly. **INSPECT ALL COMPONENTS** closely upon receipt to make sure no components are missing or damaged.

# Hazard Signal Word Definitions

	<p>This is the safety alert symbol. It is used to alert you to potential personal injury hazards. Obey all safety messages that follow this symbol to avoid possible injury or death.</p>
	<p><b>DANGER</b> indicates an imminently hazardous situation which, if not avoided, will result in death or serious injury.</p>
	<p><b>WARNING</b> indicates a potentially hazardous situation which, if not avoided, could result in death or serious injury.</p>
	<p><b>CAUTION</b> indicates a potentially hazardous situation which, if not avoided, may result in minor or moderate injury.</p>
	<p><b>CAUTION</b> used without the safety alert symbol indicates a potentially hazardous situation which, if not avoided, may result in property damage.</p>

## ABOUT YOUR PUSH SPREADER

This push spreader is designed to spread a wide range of materials (Fertilizer, Grass Seed and Ice Melt). Materials such as Powders, Manure, Top Soil, Gravel, and Mulch have the wrong physical characteristics and should not be used with this spreader. Never exceed the rated load capacity of 50lbs when operating the spreader.

Your spreader needs to be pushed at three miles per hour, which is a brisk walking speed. Slower or faster speeds will change the spread patterns. Wet spreading material will also change the spread pattern and flow rate. Clean your spreader thoroughly after each use. Wash between the shut off plate and bottom of the hopper.

Technical specifications on the push spreader are provided in the "Specifications" section of this manual.

## Controls and Features Identification

Read this owner's manual before operating the equipment. Familiarize yourself with the location and function of the controls and features. Save this manual for future reference.



- 1) **Handle** – Pushes and moves the spreader easily.
- 2) **Flow Control** – Controls the flow of material being spread.
- 3) **Hopper** – Do not exceed rated load capacity 50lb.
- 4) **Tires / Wheel** – Do not exceed recommended rated.
- 5) **Impeller** - Evenly distributes material.
- 6) **Support Leg** – Stabilizes load and spreader.



## CAUTION

Read and follow all instructions for assembly and operation. Failure to properly assemble this equipment could result in serious injury to the user or bystanders, or cause equipment damage.

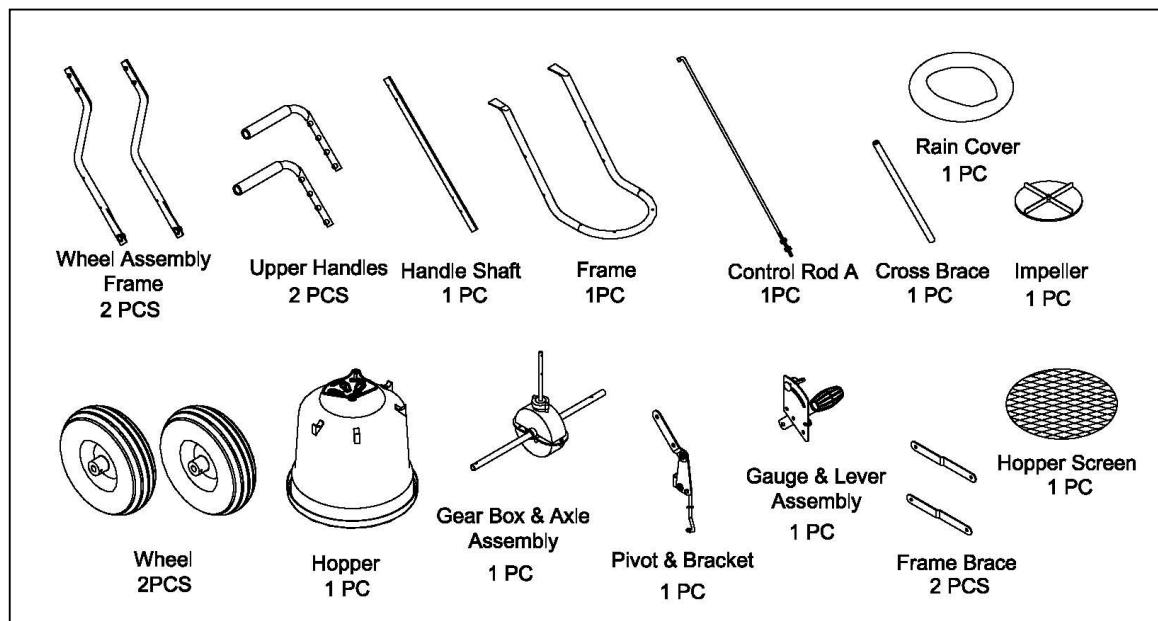
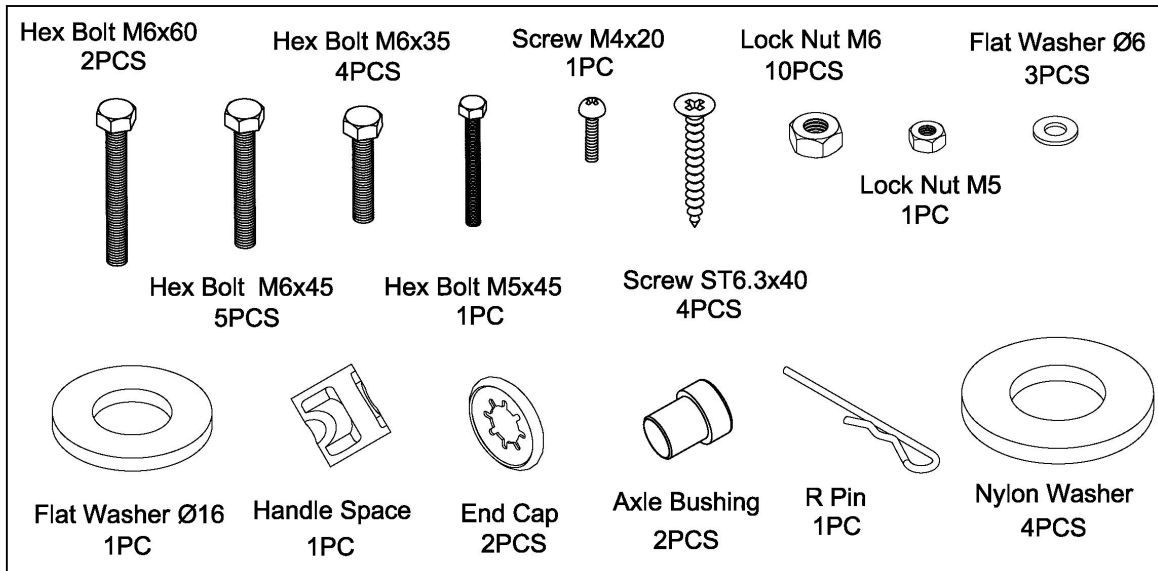
### PUSH SPREADER COMPONENT PARTS AND ASSEMBLE.

Take all parts out of the shipping crate and inspect components to ensure there are no missing pieces before starting to assemble the push spreader.

#### TOOLS REQUIRED

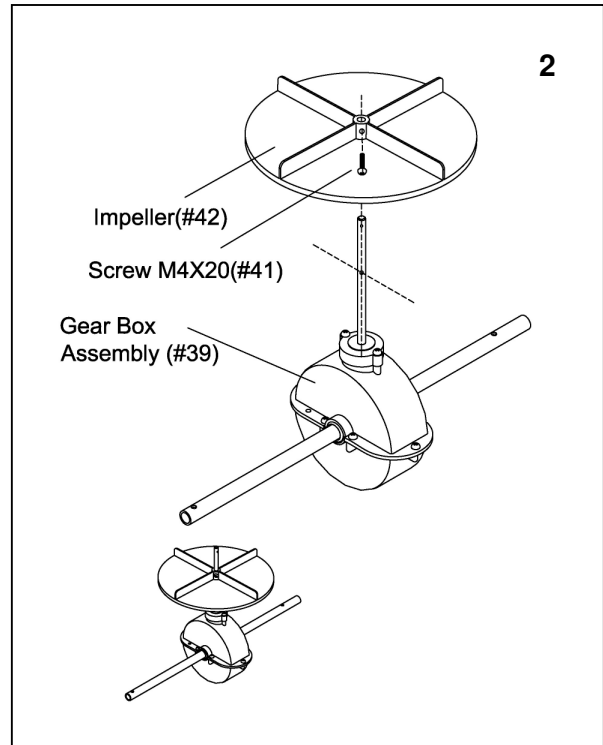
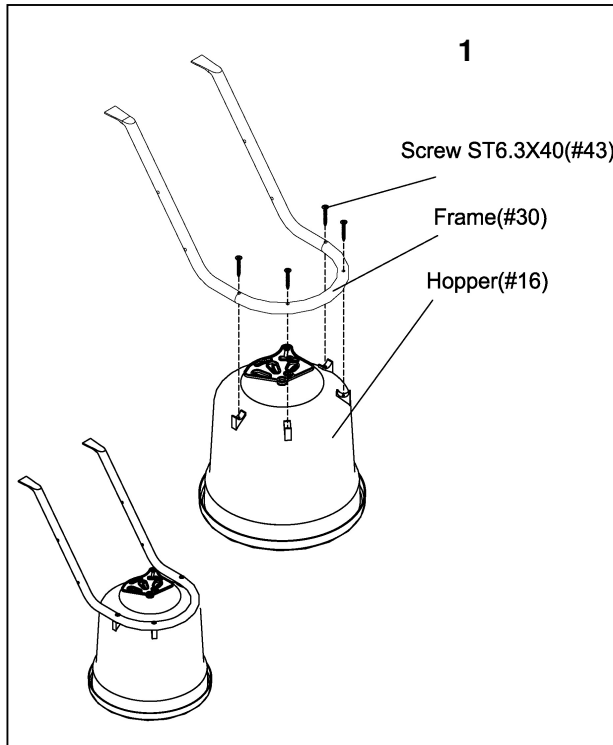
- 8mm Wrenches
- 10mm Wrench
- Screwdriver

## Component Parts

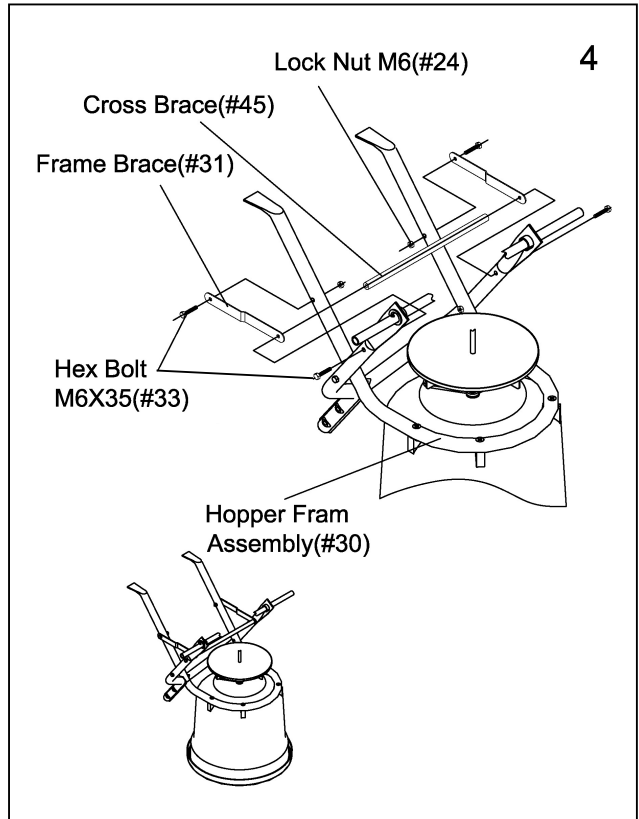
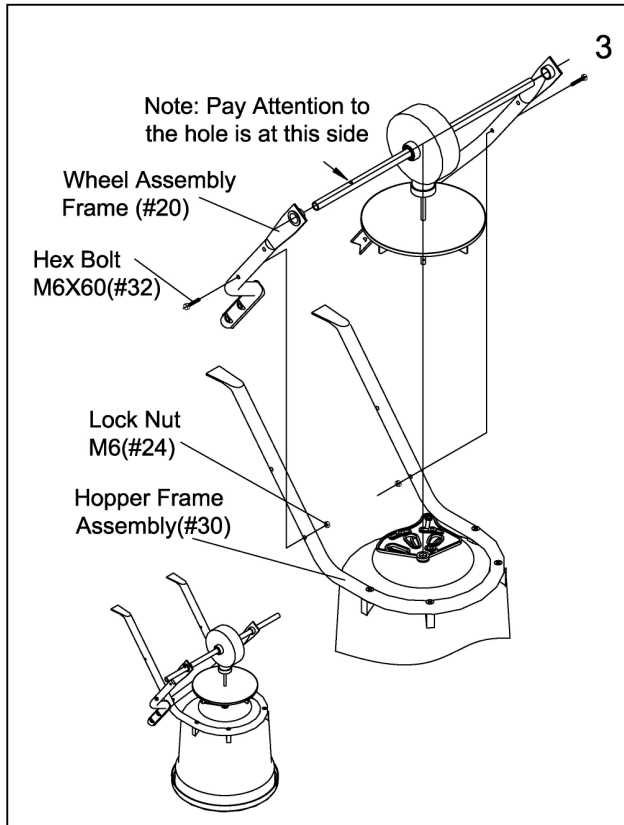


# Assembly Instructions

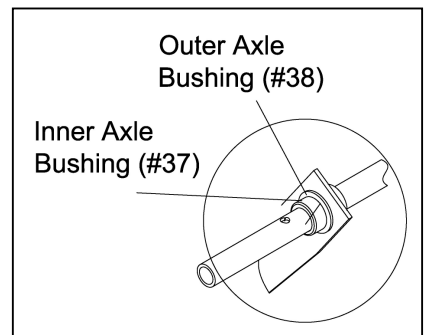
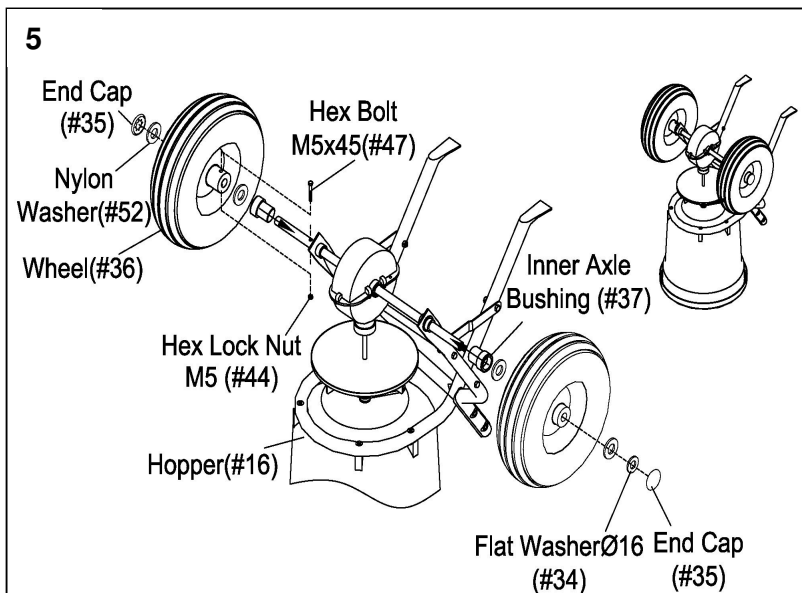
1. Turn Hopper (#16) upside down and attach Frame (#30) using four screws ST6.3 x 40 (#43).
2. Slide the Impeller (#42) onto the spindle of the Gear Box Assembly (#39).
3. Align the Impeller (#42) with the hole closest to the Gear Box (#39) in the spindle. Then insert Screw M4 x20 (#41) through the hole and fasten tight.



1. Insert the spindle through the center hole in the Hopper (#16) base.
2. Slide the Wheel Assembly Frames (#20) over the ends of each axel with the bent ends facing inward towards each other.
4. Secure the other end of each Wheel Assembly Frame (#20) to the outside of the Hopper Frame Assembly (#30).
5. Align the middle hole of each Wheel Assembly Frame (#20) with the lowest hole on each Hopper Frame Assembly (#30).
6. Insert M6 x 60 bolt (#32) and tighten with Lock Nut M6 (#24). NOTE: The nuts and bolts should not be fully tightened until the Frame Braces (#31) are attached.
7. Attach one end of each Frame Brace (#31) to the outside of the Hopper Frame Assembly (#30) using bolt M6 x 35 (#33) and M6 lock nut (#24). Ensure the other end is bending in towards the hopper.
8. Attach the other end of each Frame Brace (#31) to the inside of the Wheel Assembly Frame (#20) using bolt M6 x 35 (#33) and M6 lock nut (#24).



1. Slip Inner Axle Bushing (#37) onto the right side of the axle, pushing the Inner Axle Bushing into the Outer Axle Bushing until tight. Attach Wheel (#36) to the right side of the axle by inserting a M5 x 45 bolt (#47) and fastening with Lock Nut M5 (#44). Attach Axle End Cap (#35) by tapping with a wooden or rubber mallet.
2. Slip Inner Axle Bushing (#37) onto the left side of the axle, pushing the Inner Axle Bushing into the Outer Axle Bushing until tight. Push the Wheel onto the axle. Insert nylon washers (#52) to the two sides of the wheel, then insert Flat Washer Ø16 (#34) and attach Axle End Cap (#35) by tapping with a wooden or rubber mallet. NOTE: The nuts and bolts do not have to be completely tightened yet.



**Note: Insert the Inner axle bushing into the outer axle bushing and make sure they are tight.**

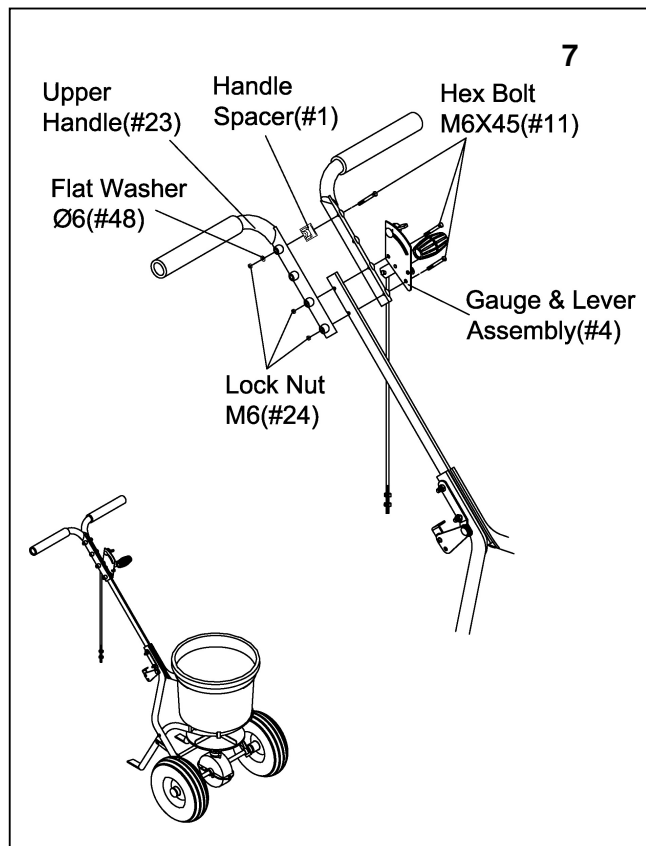
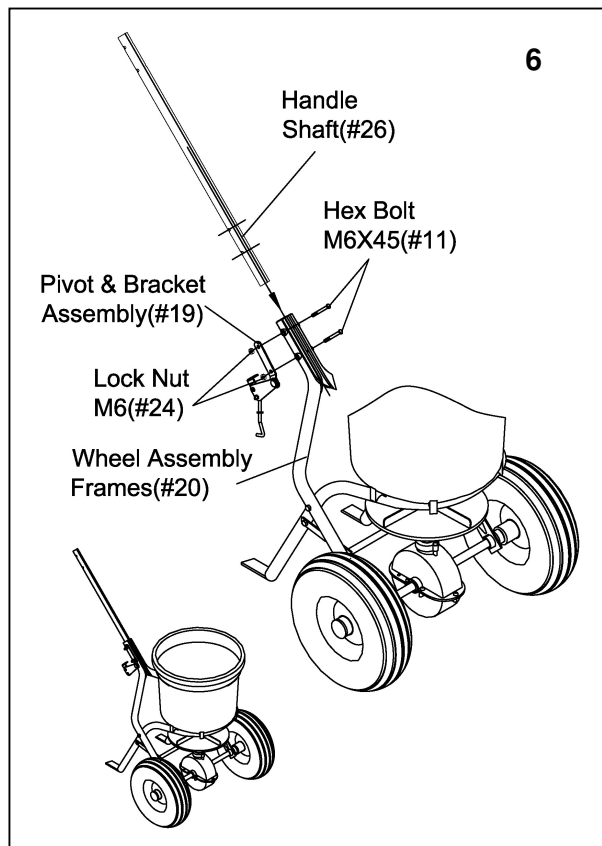


1. Flip the hopper over onto it's wheels.
2. Insert Handle Shaft (#26) between the top ends of the Wheel Assembly Frames (#20).
3. Pass two Bolts M6 x 45 (#11) through Wheel Assembly Frames and Handle Shaft. Slip Pivot and Bracket Assembly (#19) onto protruding bolt ends. Fasten with Lock Nuts M6 (#24). Pivot and Bracket Assembly should be on the right side of the handle when standing behind the spreader.

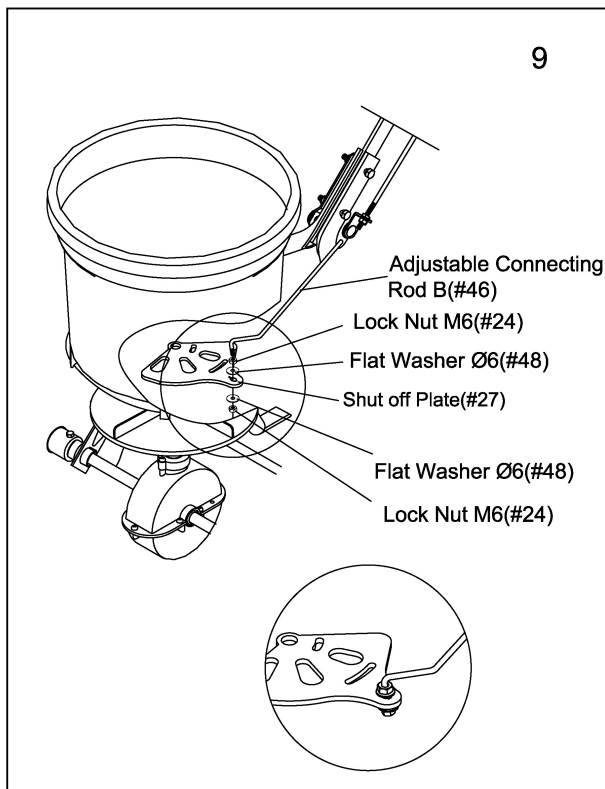
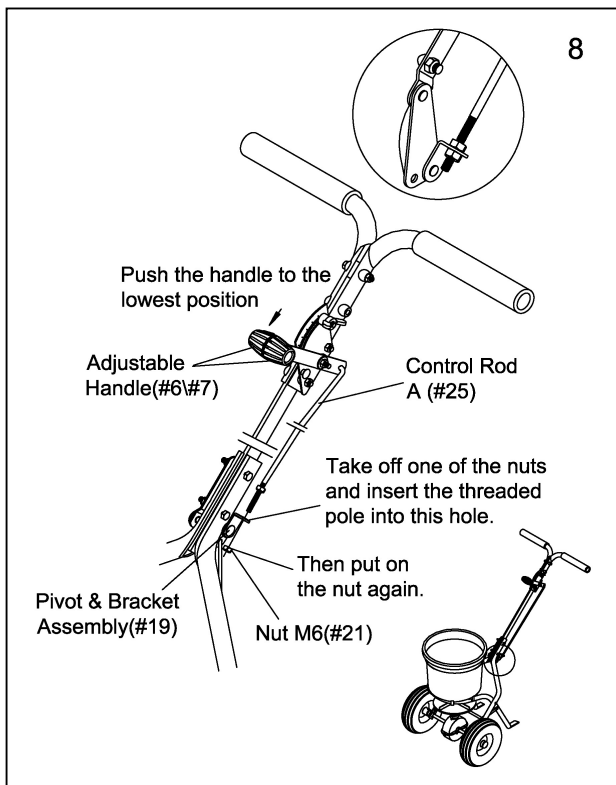
**GO BACK AND TIGHTEN ALL NUTS AND BOLTS ASSEMBLED SO FAR. DO NOT OVER TIGHTEN.**

**NOTE:** The handle can be higher or lower depending on the user's preference. Before installing the gauge, upper handles and handle shaft, decide which of the three positions will be most comfortable for the operator. If the middle or upper positions are chosen, use a handle spacer in the hole nearest to the handle grips.

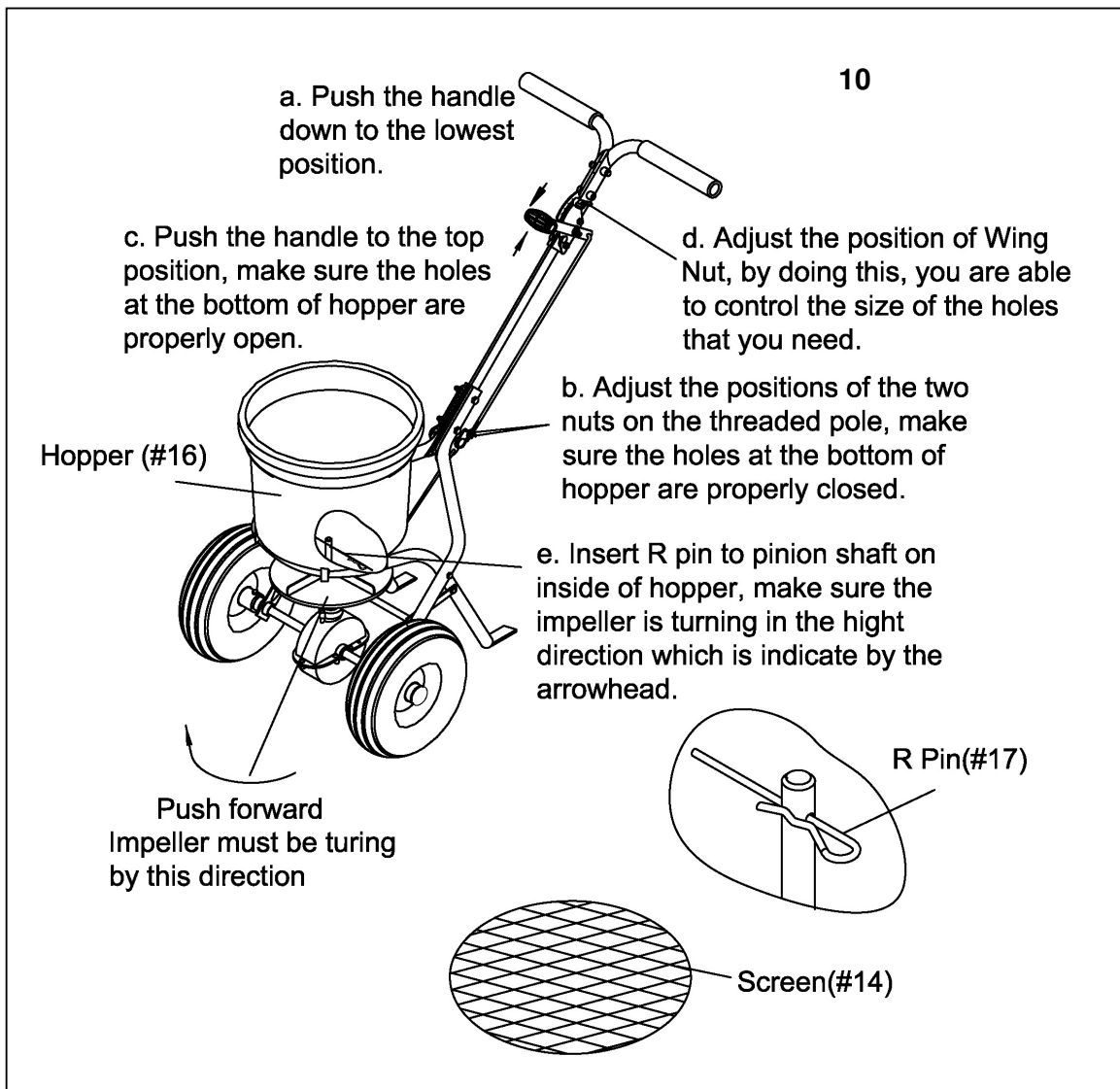
4. a) Insert Bolts M6 x 45 (#11) through the Upper Left Handle (#23), then through the Handle Spacer (#1) and Upper Handle on the Right side, screw with Flat Washer  $\varnothing 6$  (#48) and Lock Nut M6 (#24). Slide Gauge and Lever Assembly (#4) onto the bolts and fasten with Lock Nut M6 (#24).
5. Tighten lock nuts securely.



1. Push the Adjustable Handle (#6, #7) to the lowest position.
2. Insert the upper end of the Control Rod (#25) into the hole at the end of the Adjustable Handle (#6, #7).
3. Take the lower nut (#21) off the bottom end of the Control Rod (#25) and insert rod into the hole in the Pivot and Bracket Assembly (#19).
4. Screw nut back into place.
5. Slip the threaded end of Adjustable Connecting Rod (#46) into the Shut Off Plate (#27) with a Flat Washer Ø6 (#48), then fasten with Flat Washer Ø6 (#48) and Lock Nut M6 (#24).

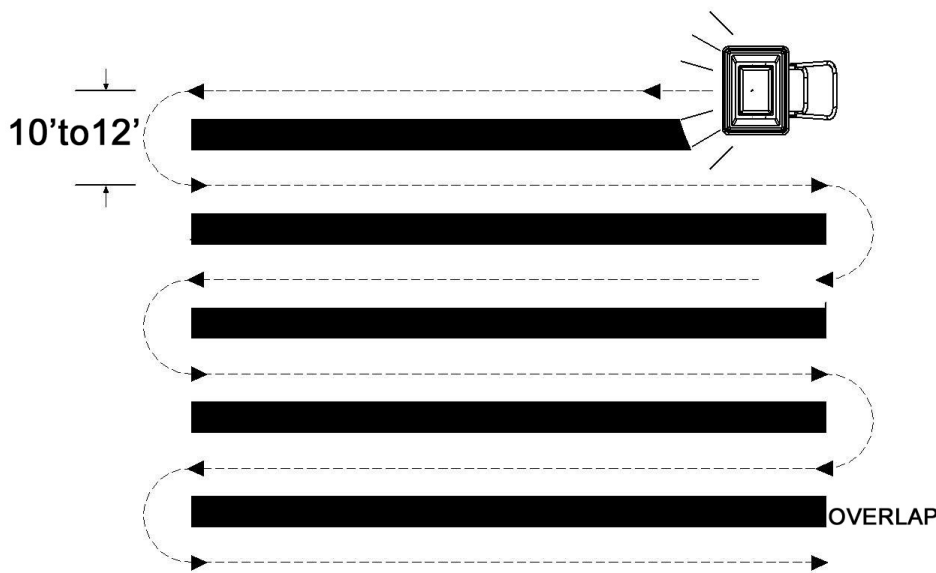


1. Pull the control lever back to its highest point. The three large holes at the bottom of the hopper should match the three holes in the adjustable plate. If they match, do nothing. If they do not match, push the handle down to the lowest position and adjust the positions of the two nuts on the threaded control bar until the three holes match up. If the holes are not properly aligned, the hopper will not close completely.
2. To operate the spreader, push the handle up to the top position. Adjust the wing nut as needed to regulate the flow of material passing through the spreader.
3. Insert R Pin (#17) into the hole at the top of the axle spindle at the bottom of the Hopper (#16) as shown. Make sure impeller is turning in the right direction as indicated by the arrow.
4. Place Screen (#14) into the Hopper (#16).



## Operation Instructions

1. Determine approximate square footage of area to be covered and estimate amount of material required.
2. Before filling the hopper, make sure the flow control arm is in the off position and the closure plate is shut.
3. Break up any lumpy fertilizer as you fill the hopper.
4. Set the adjustable stop with the flow control arm still in the off position. Refer to the application chart on this page and to the instructions on the fertilizer bag to select the proper flow rate setting.
5. The application chart is calculated for light to heavy application at a vehicle speed of 3 mph, or 100ft. in 23seconds. A variation in speed will require an adjustment of the flow rate to maintain the same coverage. The faster you drive, the wider the broadcast width.
6. Make sure the drive pin is installed in the axle before starting the spreader.
7. Always start the spreader in motion before opening closure plate.
8. Always shut the closure plate before turning or stopping the spreader.
9. If fertilizer is accidentally deposited too heavily in a small area, soak the area thoroughly with a garden hose or sprinkler to prevent burning of the lawn.
10. To ensure uniform coverage, make each pass so that the broadcast pattern slightly overlaps the pattern from the previous pass as shown in figure below. The approximate broadcast widths for different materials are shown in the application chart on this page.
11. When broadcasting weed control fertilizers, make sure the broadcast pattern does not hit evergreen trees, flowers or shrubs.
12. Heavy moisture conditions may require a cover over the hopper to keep contents dry. The vinyl cover acts as a wind and moisture shield, but should not be used as a rain cover.



## Maintenance and Storage



### WARNING

Improper maintenance and storage of the drop spreader may void your warranty.

### MAINTENANCE

- After each use clean material out of hopper.
- Rinse/dry inside and outside of the spreader after each use.
- Periodically check all fasteners for tightness.
- Annually clean and lightly lubricate moving parts or as needed.
- Use a glossy enamel spray paint to touch up scratched or worn painted metal surfaces.
- Never exceed load capacity rating of 50lbs it will damage the spreader.

### **IMPORTANT:**

If a part needs replacement, only use parts that meet the manufacturer's specifications. Replacement parts that do not meet specifications may result in a safety hazard or poor operations.

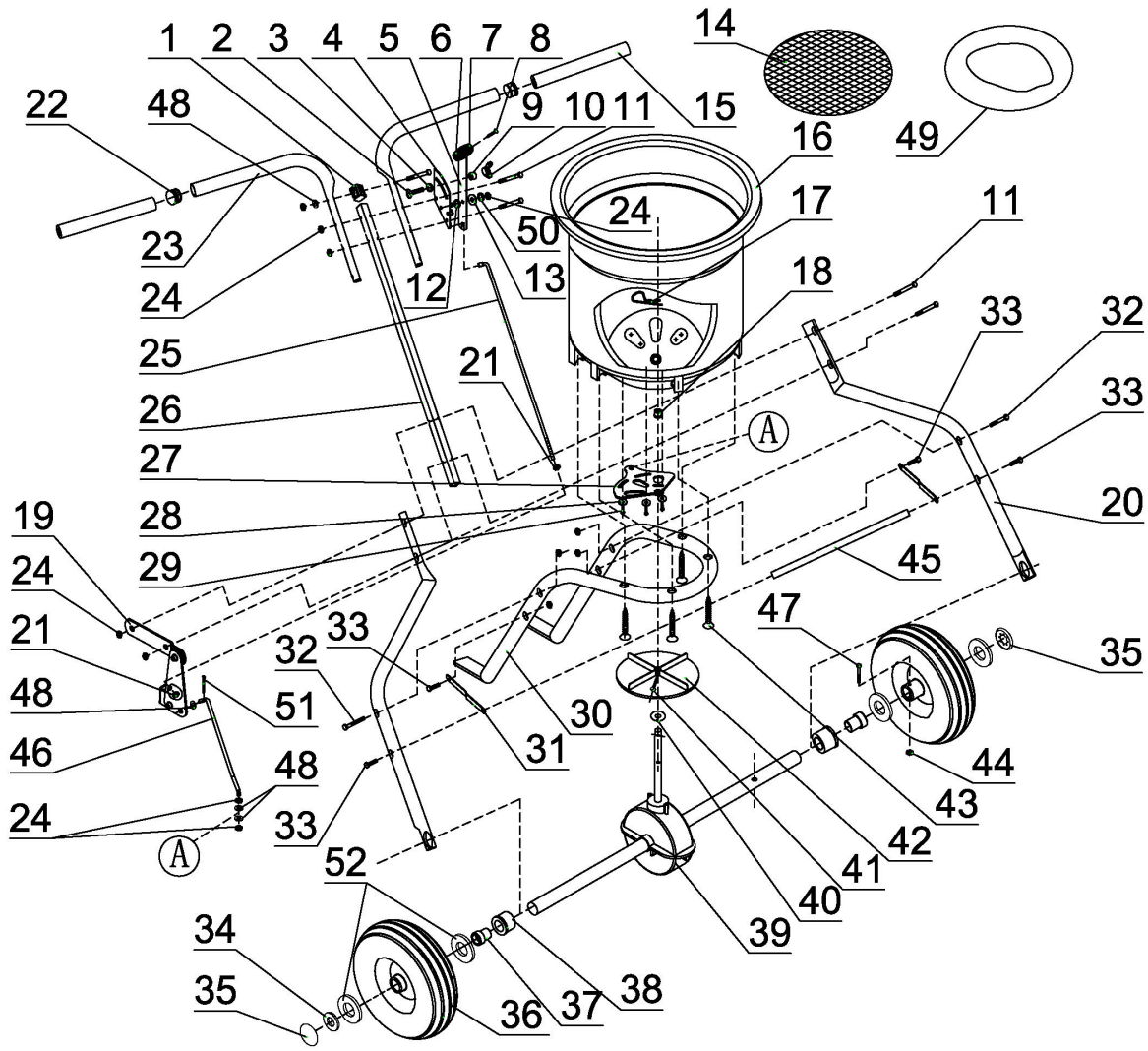
### STORAGE

- Never allow material to remain in the hopper for extended periods of time. Return unused product to its original container.
- Before storing make sure the spreader is clean and dry for years of trouble-free service.
- Store indoors or protected area during severe weather and winter months.

## Specifications

Load Capacity .....	50lb (22.7kg)
Spreader Type .....	Broadcast
Hopper Material .....	Polypropylene
Hopper Dimensions (Diameter x Height).....	14.4"x 12.6" (36.5x32cm)
Overall Dimensions .....	36.4"x21.3"x40.9" (92.5x54x103.8cm)
Pneumatic Tire .....	12" (30.5cm)

# Parts Drawing



## Parts List

Ref#	Drawing No.	Description	Qty
1	N570-00012-000	Handle Spacer	1
2	9114-06025-DG	Carriage Bolt M6x25	1
3	9315-08000-DG	Teeth Washer Ø8	1
4	N570-10000-000	Gauge & Lever Assembly	1
5	N570-00001-000	Adjust Handle Pole	1
6	N570-00014-000	Adjust Handle A	1
7	N570-00015-000	Adjust Handle B	1
8	9199-04018-DG	Screw ST4.2x18	1
9	N510-00016-000	Spacer	1
10	N510-00019-000	Wing Nut M6	1
11	9101-06045-DG	Hex Bolt M6x45	5
12	C130-00004-000	Nylon Washer	1
13	9302-06000-DG	Flat Washer Ø6	1
14	N570-00016-000	Screen	1
15	N570-00009-000	Handle Cover	2
16	N570-00013-000	Hopper	1
17	N578-00001-000	R Pin	1
18	N570-00019-000	Hopper Bushing	1
19	N570-30000-000	Pivot & Bracket Assembly	1
20	N570-00007-000	Wheel Assembly Frame	2
21	9201-06000-DG	Hex Nut M6	2
22	T680-00003-000	End Cover	2
23	N570-00006-000	Handle	2
24	9206-06000-DG	Lock Nut M6	12
25	N570-00003-000	Control Rod A	1
26	N570-00005-000	Handle Shaft	1
27	N510-00023-000	Shut off plate	1
28	9302-04000-DG	Flat Washer Ø4	3
29	9199-04012-DG	Screw ST4.2x12	3
30	N570-00008-000	Frame	1
31	N570-00010-000	Frame Brace	2
32	9101-06060-DG	Hex Bolt M6X60	2
33	9101-06035-DG	Hex Bolt M6X35	4
34	9301-16000-DG	Flat Washer Ø16	1
35	N511-40000-000	End Cap	2
36	N570-00020-000	Pneumatic Wheel	2
37	N570-00018-000	Inner Axle Bushing	2
38	N570-00011-000	Outer Axle Bushing	2

<b>Ref#</b>	<b>Drawing No.</b>	<b>Description</b>	<b>Qty</b>
39	N578-01000-000	Gear Box & Axle Assemble	1
40	N570-00002-000	Thin Washer	1
41	9199-04020-DG	Screw M4x20	1
42	N510-00003-000	Impeller	1
43	9199-06040-DG	Screw ST6.3X40	4
44	9206-05000-DG	Hex Lock Nut M5	1
45	N570-00021-000	Cross Brace	1
46	N570-00004-000	Adjust Connect Rod B	1
47	9101-05045-DG	Hex Bolt M5X45	1
48	9301-06000-DG	Flat Washer Ø6	3
49	N570-00022-000	Rain Cover	1
50	9306-06000-DG	Lock Washer Ø6	1
51	9404-02010-DG	Cotter Pin Ø2x10	1
52	N570-00027	Nylon Washer	4



# Limited Warranty

## **Warranty**

For one year from the date of purchase YTL International will replace for the original purchaser, or repair the spreader. The warranty will not apply to any unit which was not assembled correctly, misused, overloaded or which has been used or operated contrary to our instructions, or which has been repaired or altered by anyone other than an authorized representative.

## **Warranty Exclusions**

This warranty does not cover cosmetic defects such as paint, decals or wear items such as tires. This warranty will not cover failures or problems due to acts of God, or events or forces beyond the control of the manufacturer.

## **Normal Wear Exclusion**

The spreader needs periodic service to perform well. This warranty does not cover repair when normal use has exhausted the life of a part or the equipment as a whole.

## **Installation, Use and Maintenance Exclusion**

This warranty will not apply to parts and/or labor if the spreader has been misused, neglected, involved in an accident, abused, loaded beyond its limits, modified or assembled incorrectly. Normal maintenance is not covered under this warranty.

## **Limits of Implied Warranty and Consequential Damage Exclusion**

YTL International disclaims any obligation to cover any loss of time, use of this product, freight, or any incidental or consequential claim by anyone from using this spreader. THIS WARRANTY IS IN LIEU OF ALL OTHER WARRANTIES, EXPRESS OR IMPLIED, INCLUDING WARRANTIES OF MERCHANTABILITY OR FITNESS FOR A PARTICULAR PURPOSE.

An exchange unit will be subject to the original warranty. The length of the warranty governing the exchanged unit will have the date as the purchase date of the original unit. This warranty gives you certain legal rights which may change from state to state. Your state may also have other rights you may be entitled to that are not listed within this warranty.

## **Contact Information**

YTL International Inc.

17517 Fabrica Way, Suite H

Cerritos, CA 90703

Phone: (888) 723-6534

Email: [parts@ytlinternational.com](mailto:parts@ytlinternational.com)

Website: [www.ytlinternational.com](http://www.ytlinternational.com)