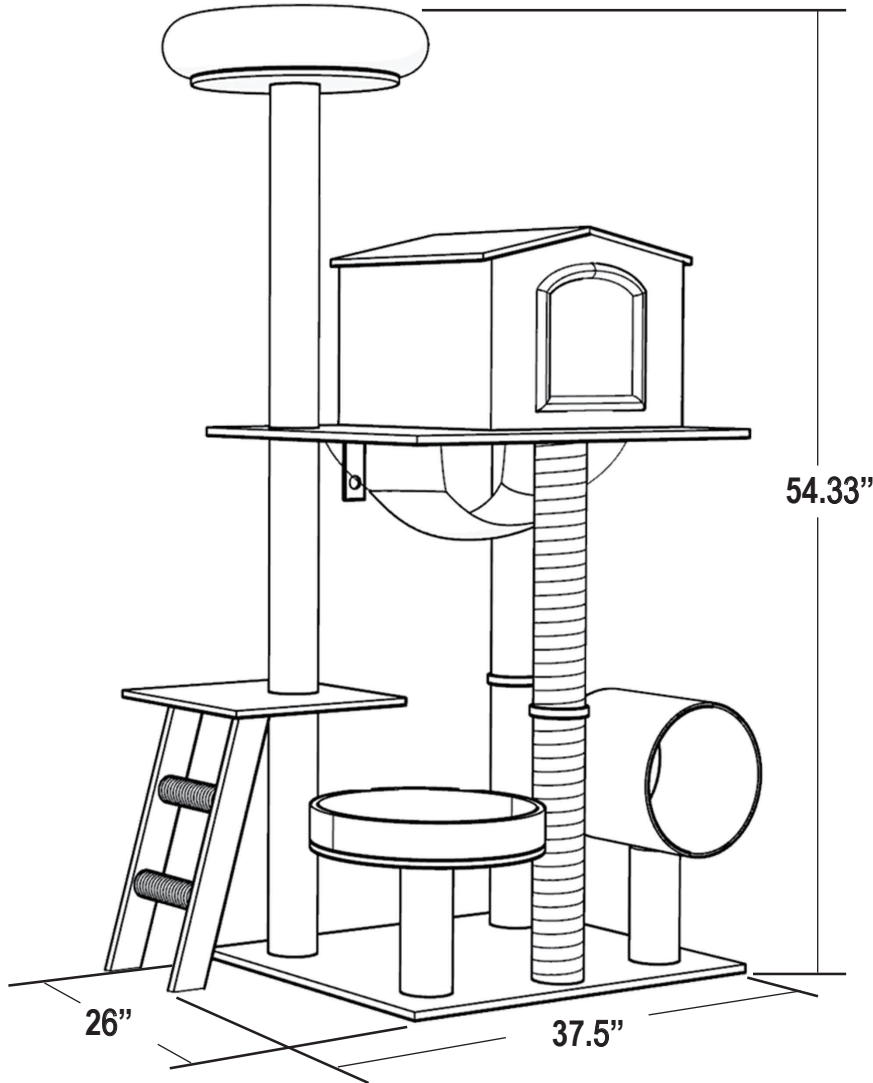


Please read instructions carefully before use. Retain for future reference



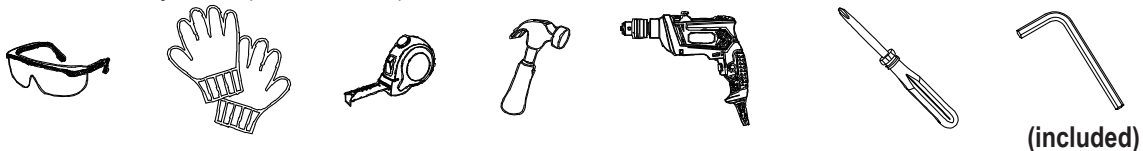
Assembled Dimensions

37.5 IN. W X 26 IN. D X 54.33IN. H
 95.25CM W X 66CM D X 138CM H

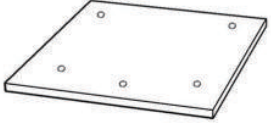
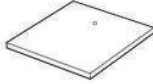
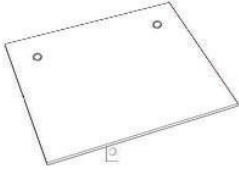


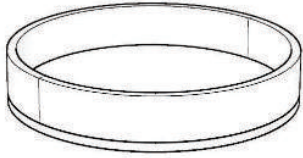

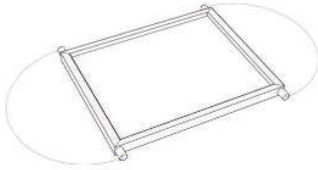
Distributed by:
 TRACTOR SUPPLY COMPANY
 5401 VIRGINIA WAY,
 BRENTWOOD TN 37027
 For customer support,
 call: 1-888-376-9601
www.TractorSupply.com
 MADE IN CHINA

Approximate assembly time: 30 Minutes	People for assembly: 	Required assembly space: Floor area 10 ft. x 5 ft. (3 m x 1.5 m) 
----------------------------------------------	----------------------------------------------------------------------------------------------------------	-----------------------------------------------------------------------------------------------------------------------------------------------------------

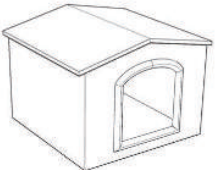
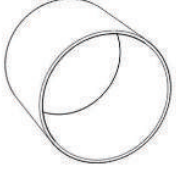




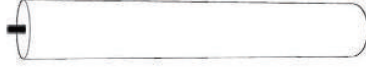
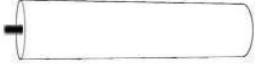
Required assembly tools (not included):















PARTS LIST

Part#	Description	Drawing	Qty.
1	Bottom plate		1
2	Small lying plate		1
3	Large lying plate		1
4	Left plate for stair		1
5	Right plate for stair		1
6	Bottom circle bed		1
7	Top circle bed		1
8	Hammock		1

PARTS LIST

Part#	Description	Drawing	Qty.
9	Cat house		1
10	Cat tunnel		1
11	Post,14.8" (37.5cm)		1
12	Post with spacer,14.8" (37.5cm)		1
13	Post with spacer,14.8" (37.5cm)		1
14	Post ,14.8" (37.5cm)		3
15	Post with spacer,19.68" (50cm)		1
16	Post with spacer,7.87" (20cm)		1

PARTS LIST

Part#	Description	Drawing	Qty.
17	Post,5.9" (15cm)		1
18	Post,5.9" (15cm)		2
19	Round plate grey		1
20	Round plate beige		1
21	Flathead screw,M10*40mm		6+1
22	Thread rod,M10*85mm		4
23	Flathead screw,M8*28mm		1
24	Flathead screw,M8*40mm		4
25	Flathead screw,M8*16mm		2
26	Allen key		1
27	Tapping screw,M4*48mm		1
28	Wall anchor		1

PARTS LIST

Part#	Description	Drawing	Qty.
29	Washer Φ 28mm		1

TIP BEFORE YOU START

- * Ensure that all parts are present prior to assembly.
- * Check all packing material carefully before discarding, as some parts may be encased in the packing material.
- * For ease and speed of assembly, it is recommended that prior to each step all required parts are identified.
- * Ensure that you have sufficient space and people (as indicated on page 1) to assemble product safely.
- * During assembly take care not to over-tighten any fittings, as this may damage the product.

CARE AND MAINTENANCE

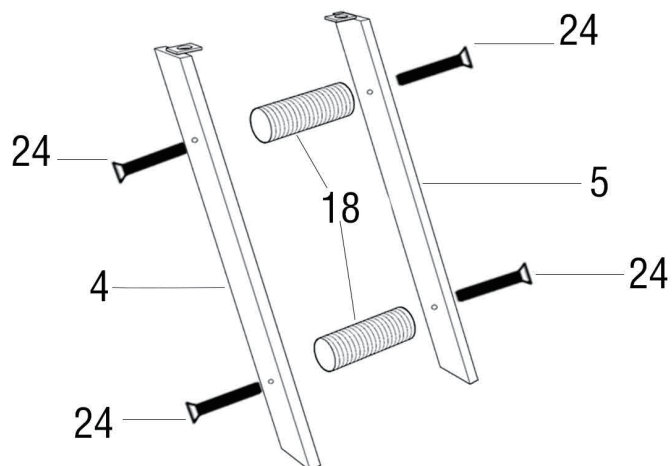
- * Always inspect the product during each use for any obstructions.
- * The manufacturer will not accept responsibility for unauthorized repairs or modifications to this product.
- * To prolong the life of your cat furniture we recommend storage in a dry area when not in use or during austere weather conditions.

WEIGHT LIMIT

Max Weight 45 LBS., 22.5 LBS. for each cushion
(Max Weight 20.4KG, 10.21 KG for each cushion)

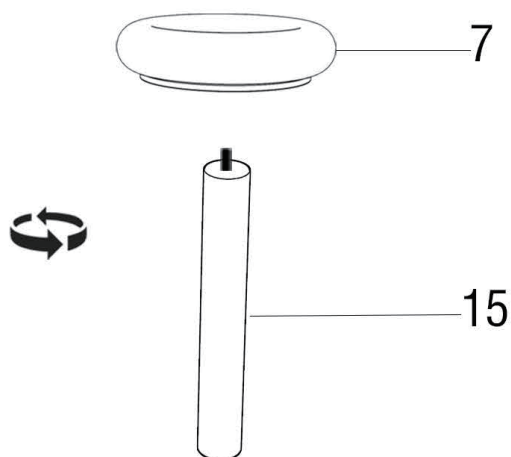
Step 1

- Assemble the plate(#4& #5)and posts(#18) by flathead screw (#24).



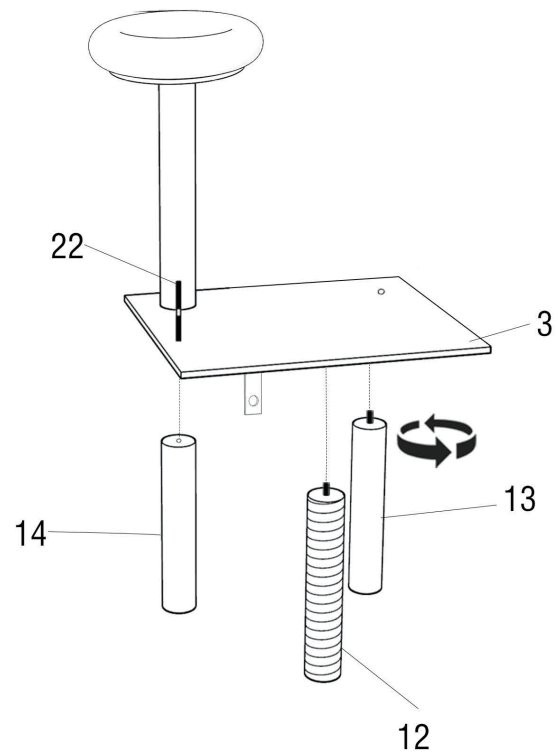
Step 2

- Assemble circle bed(#7)and post(#15).



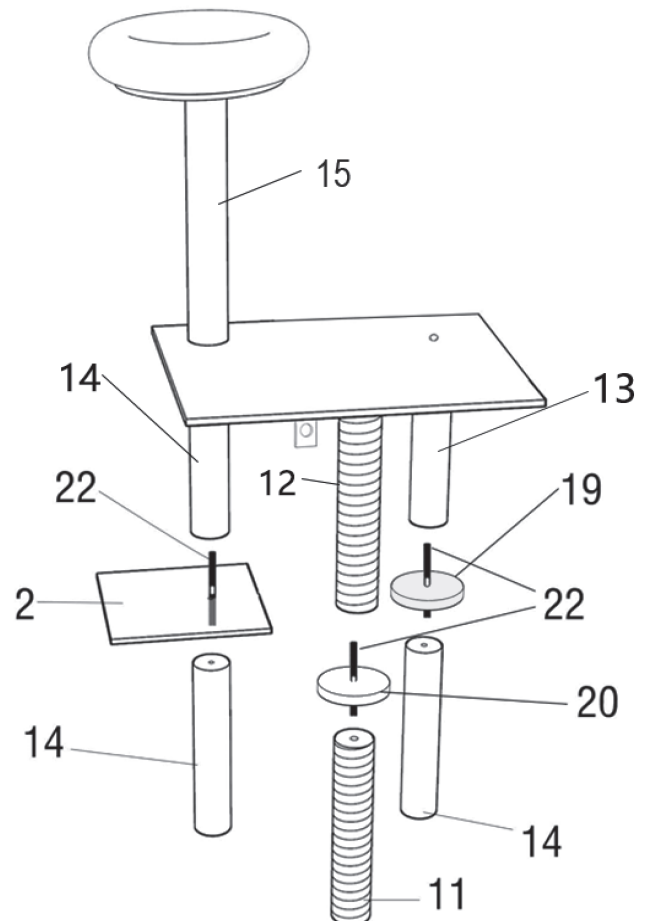
Step 3

- Connected posts(#15)with plate(#3) and post(#14)by thread rod(#22),attached post(#12,#13)with plate(#3).



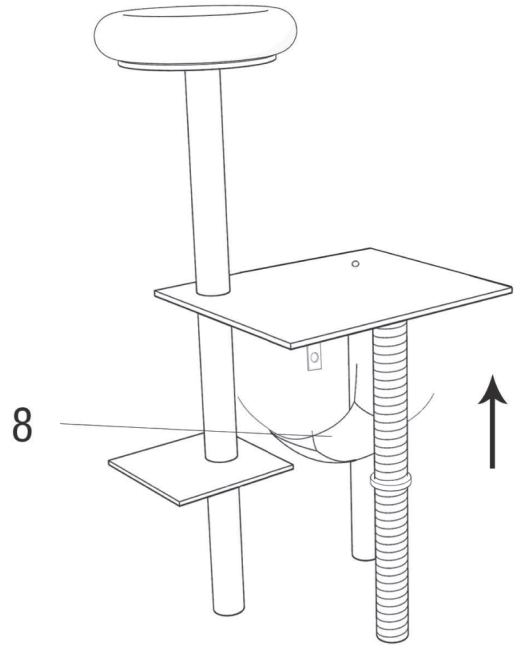
Step 4

- Assemble post (#14) and plate(#2) with thread rod(#22),assemble post (#11,#12) and plate (#20) with thread rod(#22),Assemble post (#13,#14) and round plate (#19) with thread rod (#22).



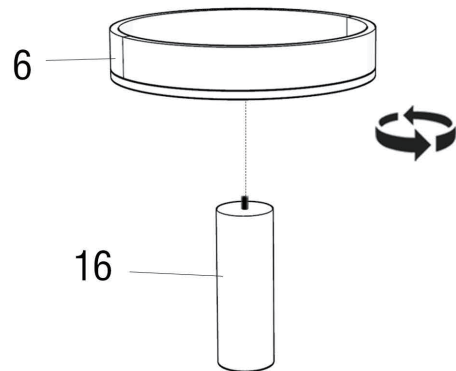
Step 5

- Hang the hammock(#8) up.



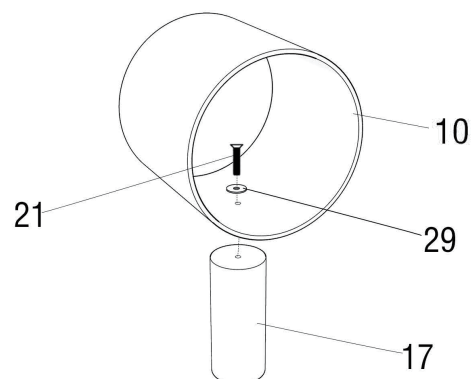
Step 6

- Attach bottom circle bed(#6) and post (#16).



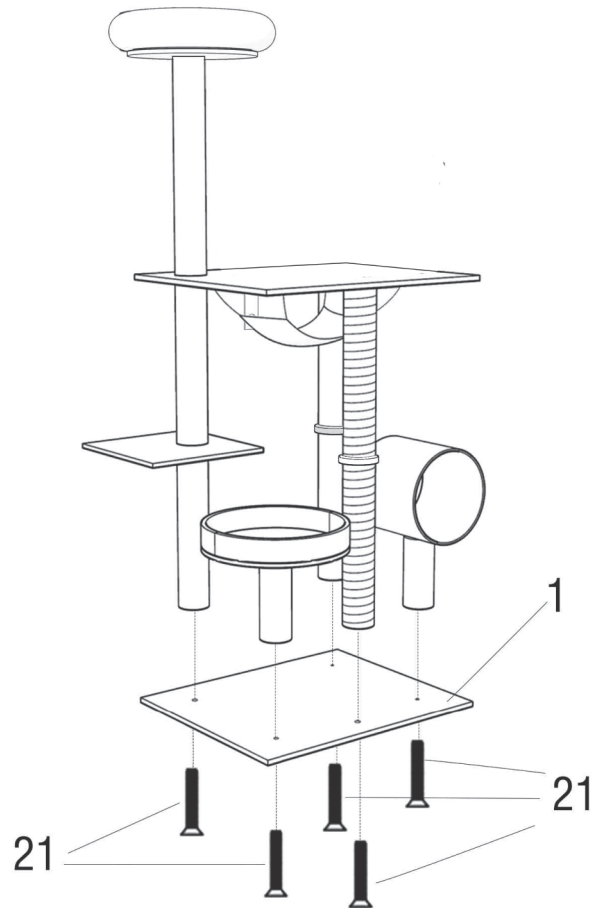
Step 7

- Attached cat tunnel(#10) and post(#17) with screw(#21) and washer(#29).



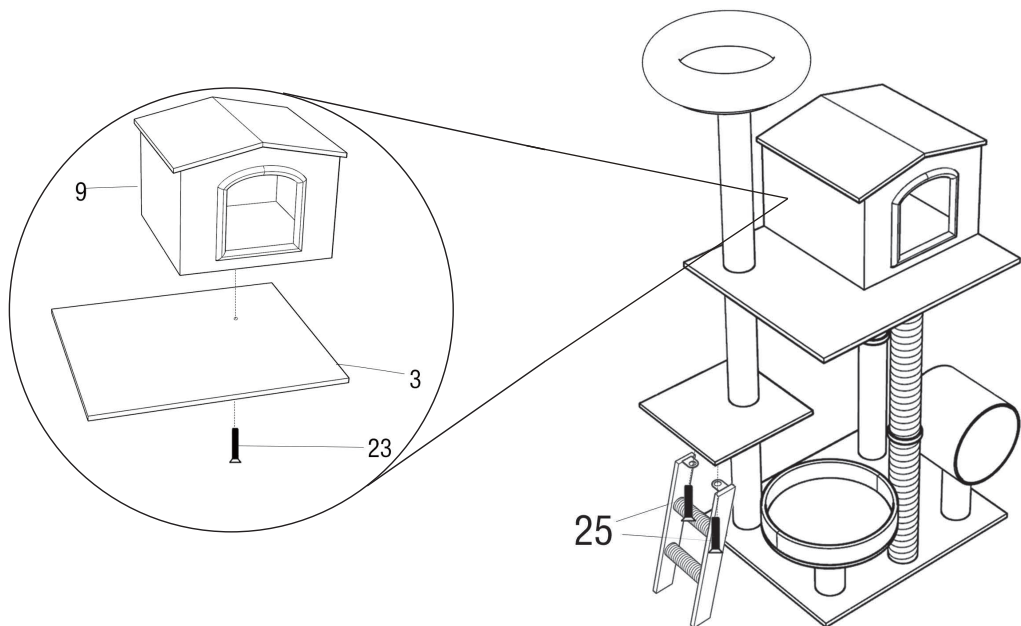
Step 8

- Assemble the bottom plate(#1)together with all other components(like the picture show on the right) by screw (#21).



Step 9

- Assemble large lying plate(#3)and cat house(#9)by flathead screw(#23). attached stair with plate(#2) with screw (#25).



Step 10

- Attach this product to the wall with anchor(#28) and tapping rod(#27).

