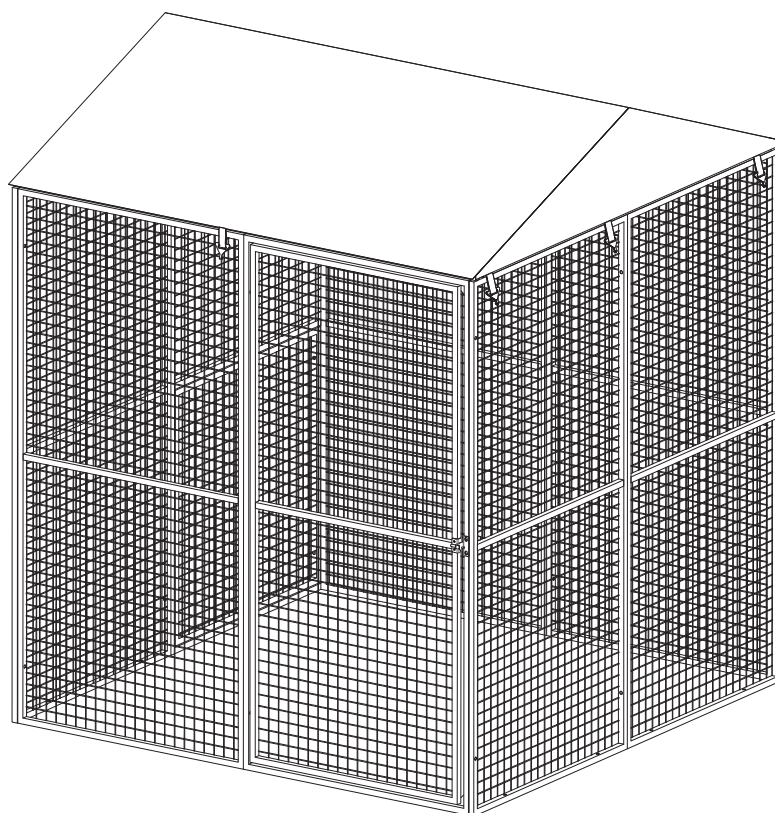




SKU #: 22201

Multi Functional Enclosure with Cover



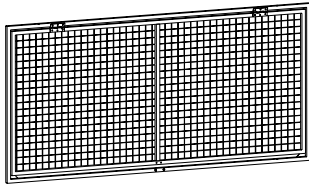
ASSEMBLY MANUAL



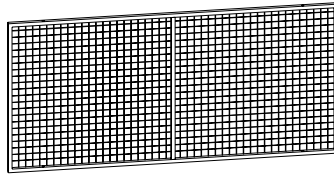
TOOLS REQUIRED FOR ASSEMBLY
(not included)

Distributed by: Win World International Trade LLC., Ontario, CA
www.PetGazebo.com & www.JJShelter.com
Made in China

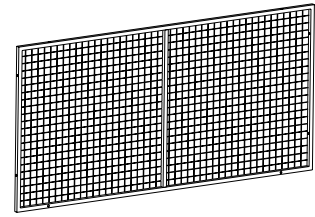
PARTS LIST



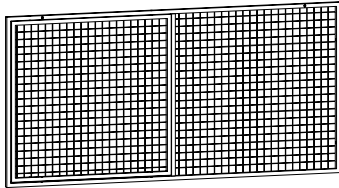
① Door Panel -1 pc



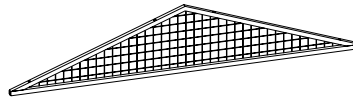
② Side Panel 1 -3 pcs



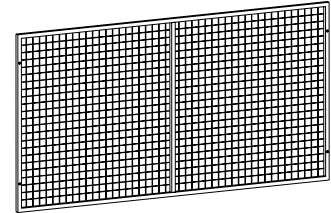
③ Side Panel 2 -3 pcs



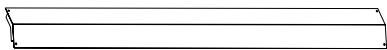
④ Side Panel 3 -1 pc



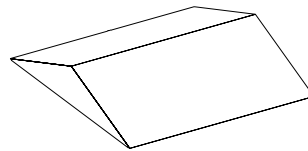
⑤ Triangle Panel -2 pcs



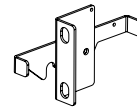
⑥ Roof Panel -2 pcs



⑦ Roof Ridge Cover -1 pc



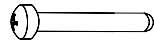
⑧ Canopy -1 pc



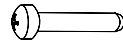
⑨ Door Latch -1 pc



⑩
M6 Nut
18 pcs



⑪
M6x60 Bolt
1 pc



⑫
M6x45 Bolt
15 pcs



⑬
M6x30 Bolt
18 pcs

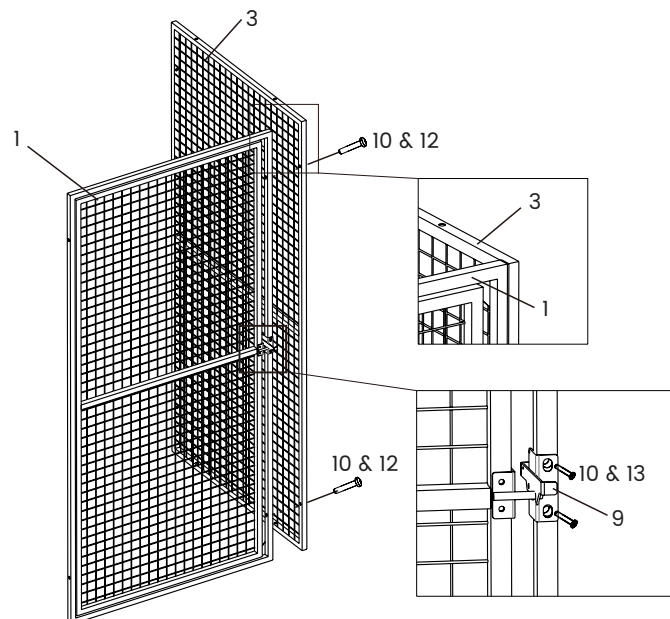


⑭
Shelf-tapping
Screw 4.2x13 -4 pcs

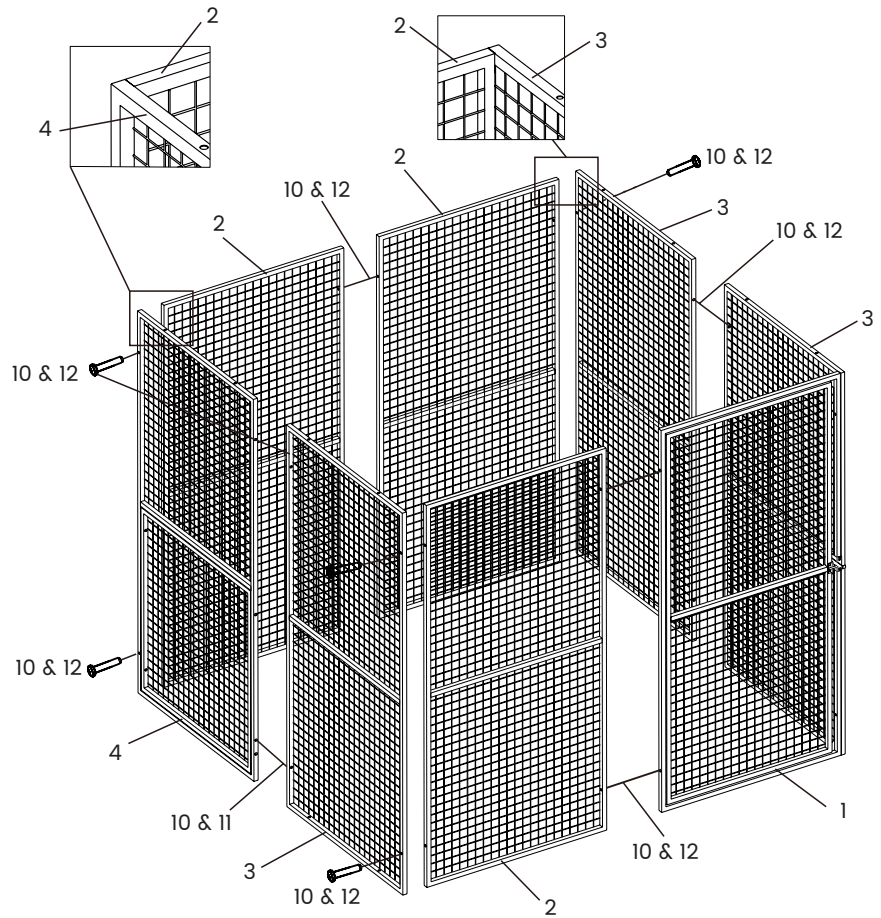
ASSEMBLY

STEP 1 ►

- Install the door latch (#9) on the Door Panel (#1) using the pre-drilled holes and two Bolts (#13) and Nuts (#10).
- Connect Door Panel (#1) and Side Panel 1 (#2) together with two Bolts (#12) and Nuts (#10).

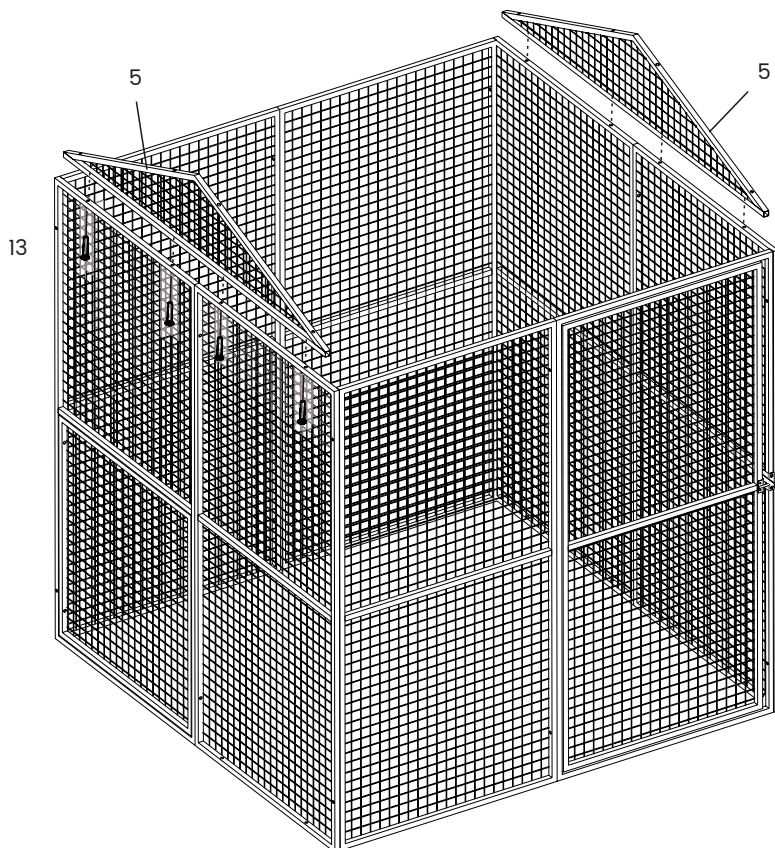


ASSEMBLY



STEP 2 ▶

- Assemble Panels #3, #2, and #4 in the order shown in the diagram, using Bolts (#12) & Nuts (#10) and Bolt #11.
- Please keep in mind that the long Bolt #11 must be used between two Panels (#4), bottom part.



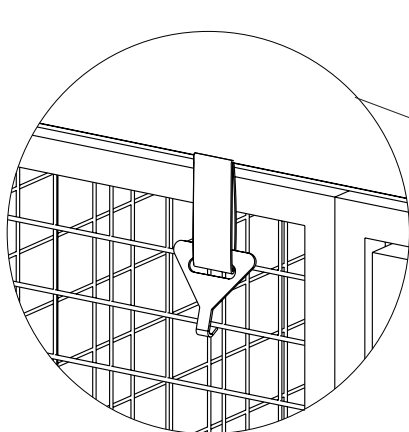
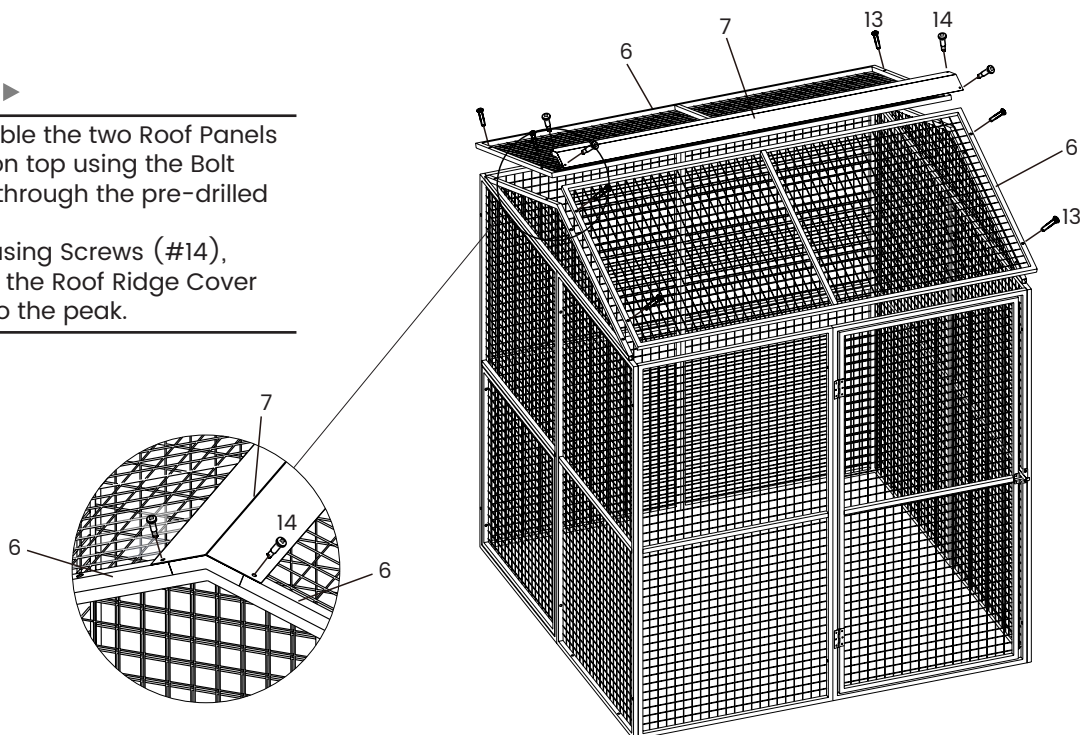
STEP 3 ◀

- Following the diagram below, use Bolt (#13) to attach the two Triangle Panels (#5) on top of the constructed frame.

ASSEMBLY

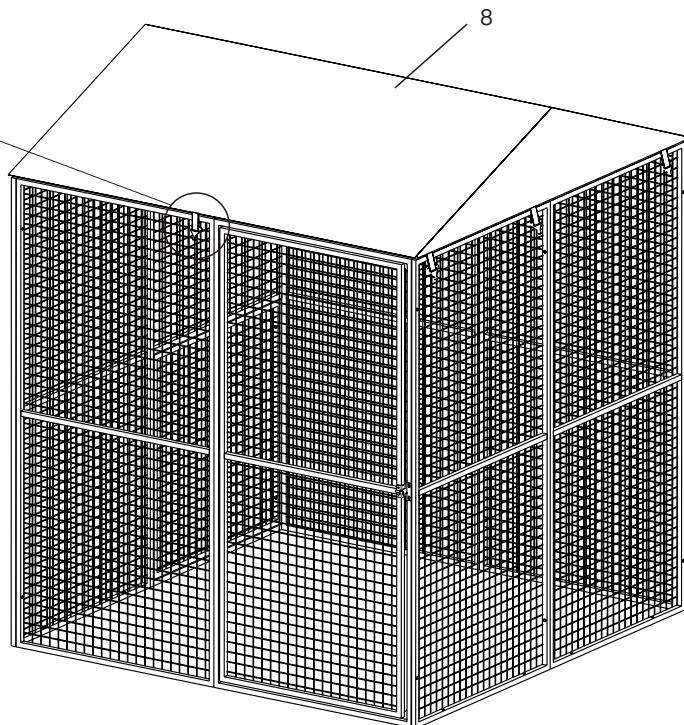
STEP 4 ►

- Assemble the two Roof Panels (#6) on top using the Bolt (#13) through the pre-drilled holes.
- Then, using Screws (#14), secure the Roof Ridge Cover (#7) to the peak.



STEP 5 ►

- Unfold the Canopy (#8), place it on top of the cage, and secure it to the cage using the sewed hooks.



The assembly is now complete.

In the event of missing or defective parts please contact
customerservice@petgazebo.com