




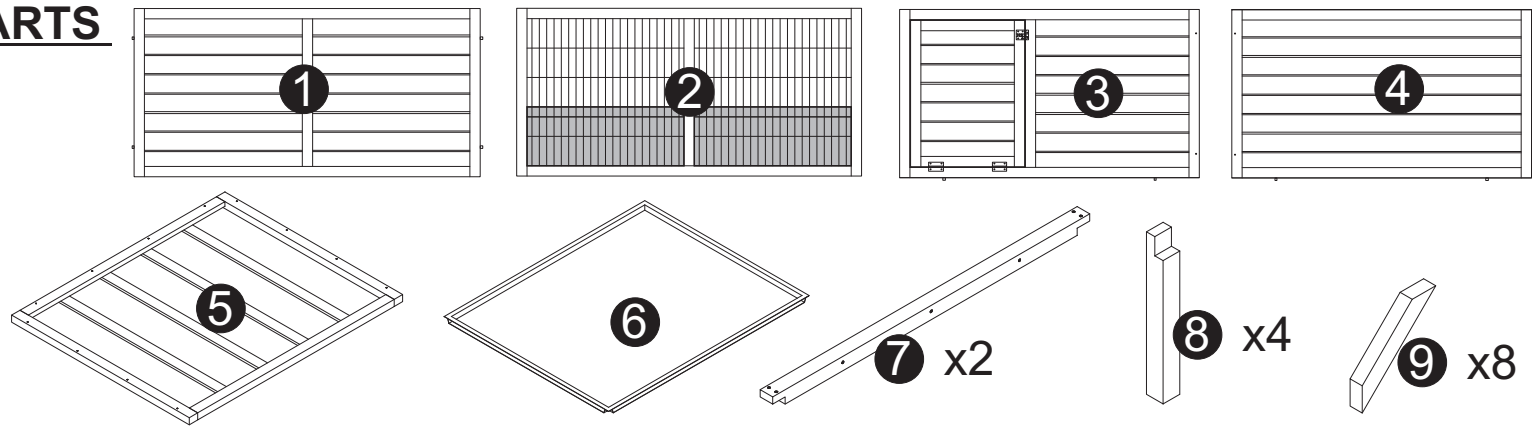


# ASSEMBLY INSTRUCTION

DDP-2332C

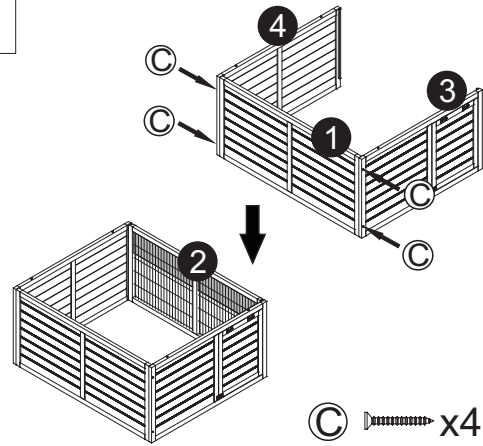
- A**  3.5x60=18+1pcs
- B**  3.5x50=32+1pcs
- C**  3.5x45=12+1pcs
- D**  3.0x16=8+1pcs
- E**  =2pcs


## PARTS



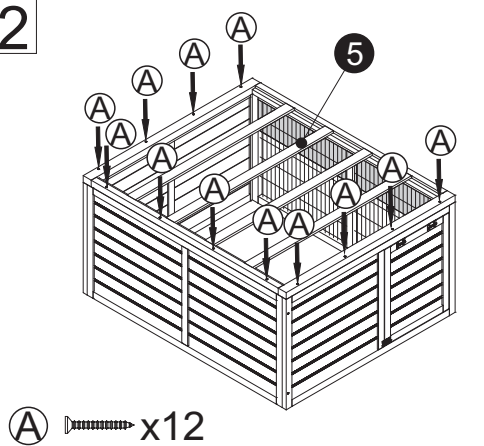
## ASSEMBLY


**1**



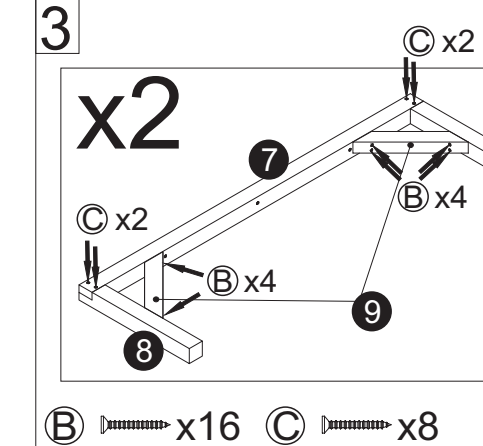
**C**  x4



**2**



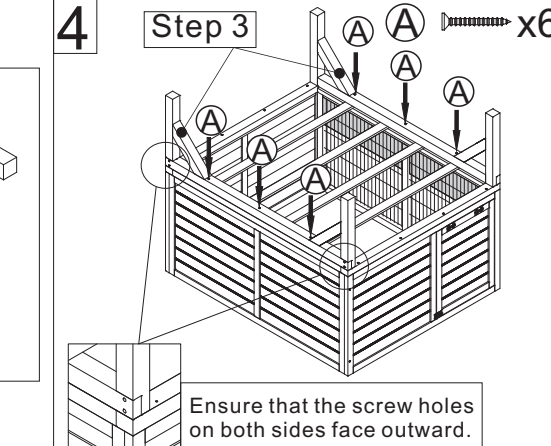
**A**  x12

**3**



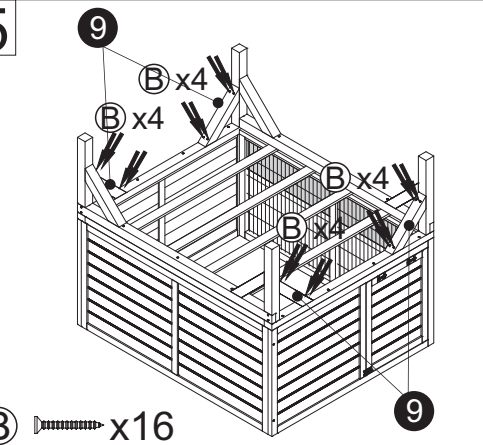
**B**  x16   **C**  x8


**4**



Ensure that the screw holes on both sides face outward.

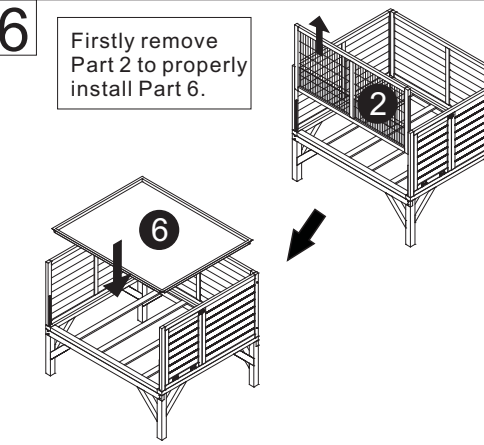
**5**



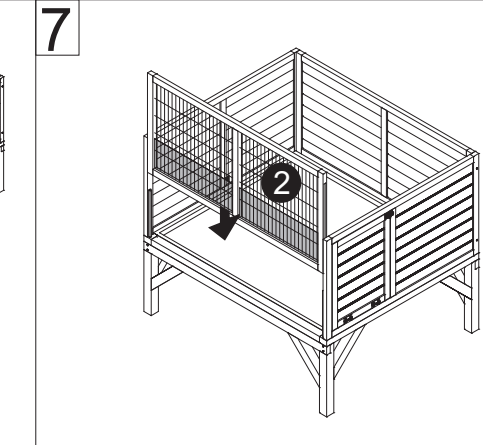
**B**  x16

**6**

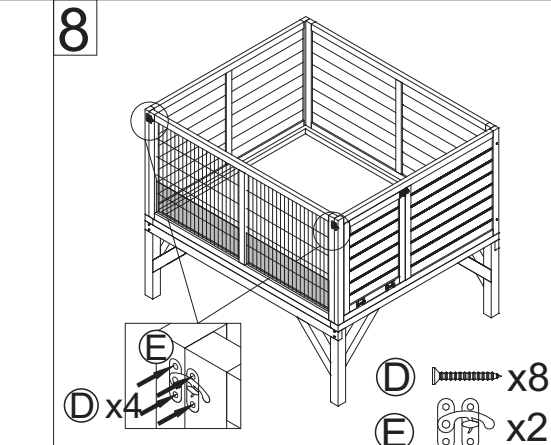
Firstly remove Part 2 to properly install Part 6.


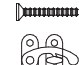


**7**



**8**



**D**  x8  
**E**  x2