






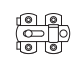
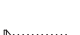
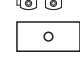


# ASSEMBLY INSTRUCTION

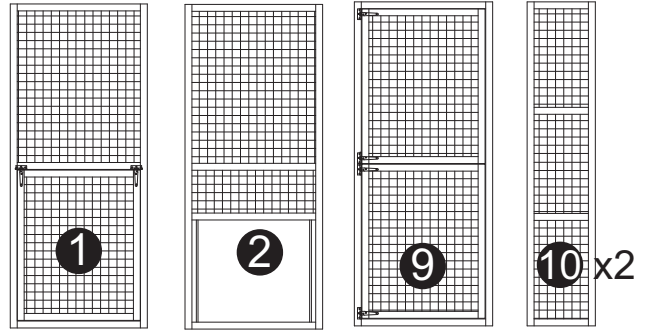
DDP-1554PVC

## PARTS

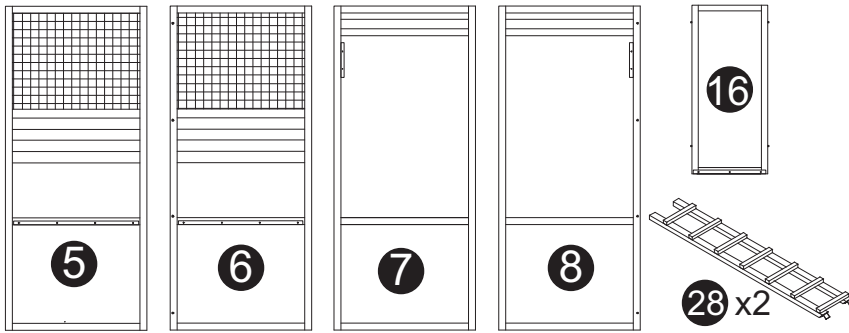
### Content box 1:

- |          |   |              |          |   |               |
|----------|---|--------------|----------|---|---------------|
| <b>A</b> |  | 3.5x60=56+1x | <b>F</b> |  | 3.0x16=26+1x  |
| <b>B</b> |  | 3.5x50=60+1x | <b>G</b> |  | +⊙ M4x50=8+1x |
| <b>C</b> |  | 3.5x40=40+1x | <b>H</b> |  | 1x            |
| <b>D</b> |  | 3.5x30=32+1x | <b>I</b> |  | 4x            |
| <b>E</b> |  | 3.5x25=28+1x | <b>J</b> |  | 2x            |

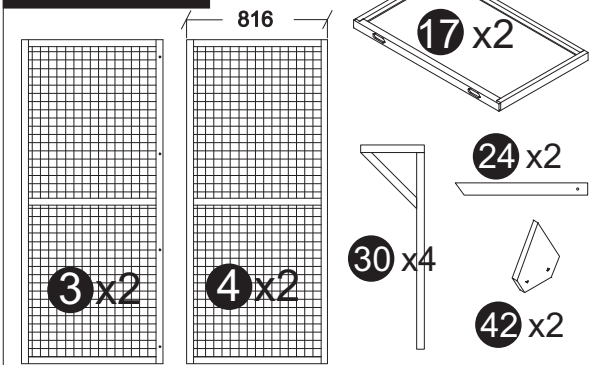
43



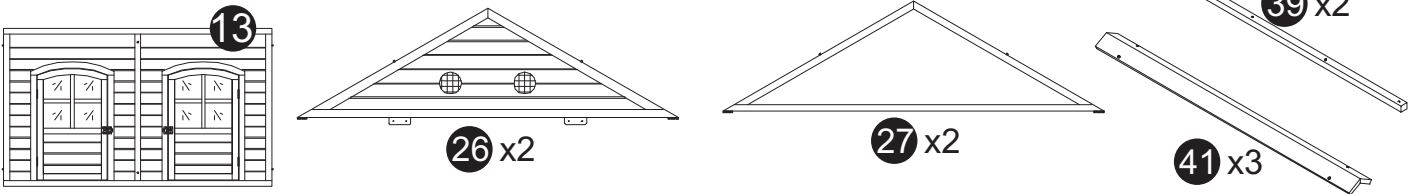
### Content box 2:



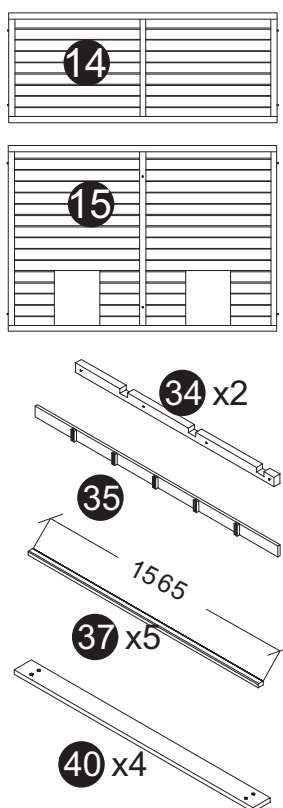
### Content box 3:



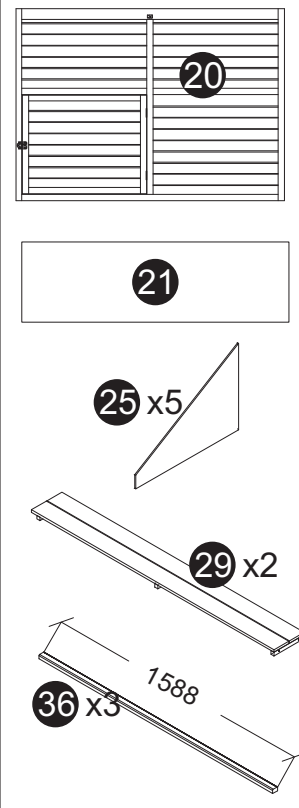
### Content box 4:



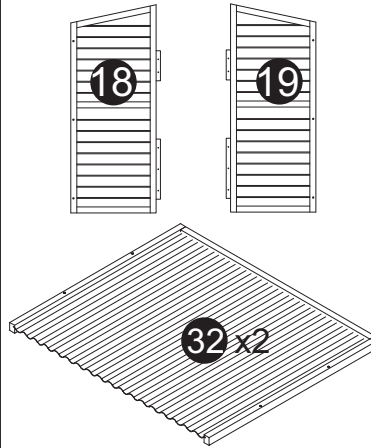
### Content box 5:



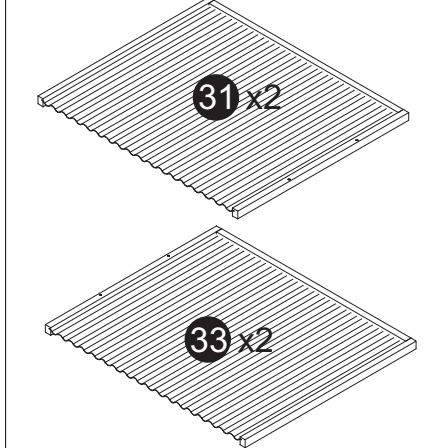
### Content box 6:



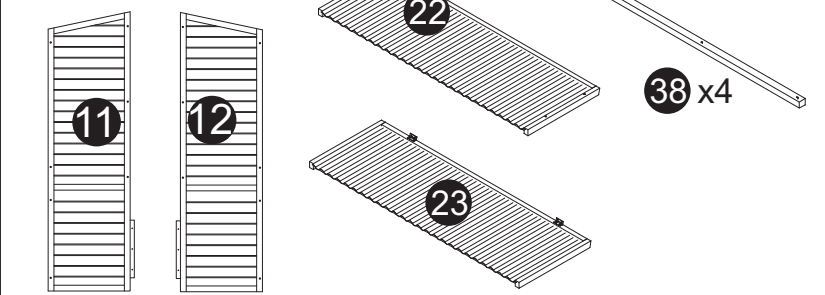
### Content box 7:



### Content box 8:

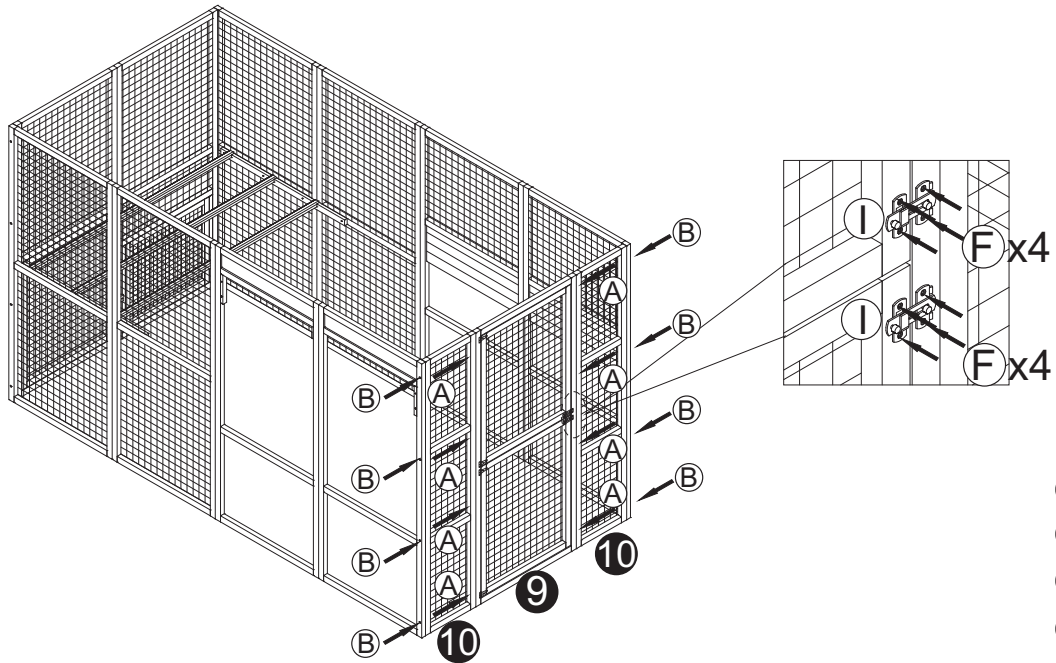


### Content box 9:



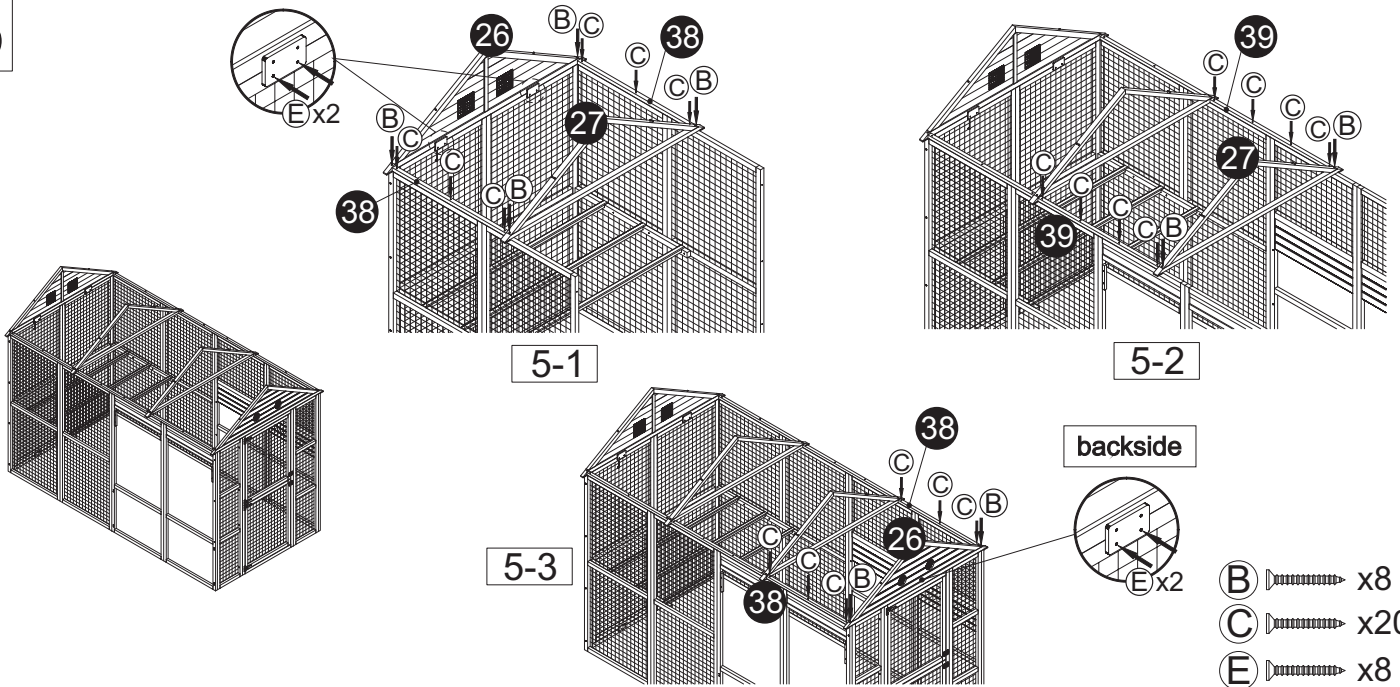


4



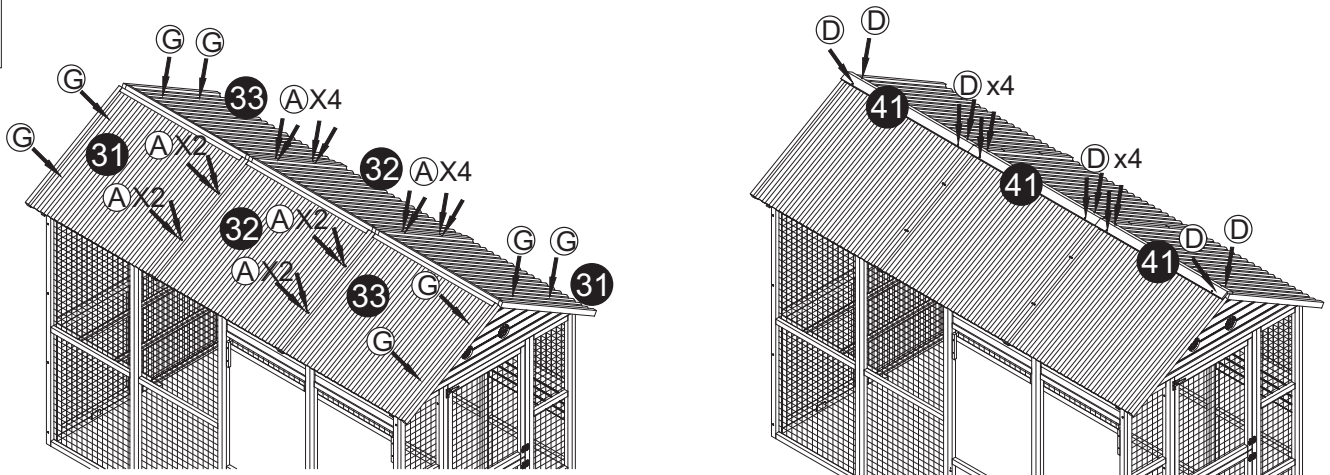
- (A) x8
- (B) x8
- (F) x8
- (I) x2

5



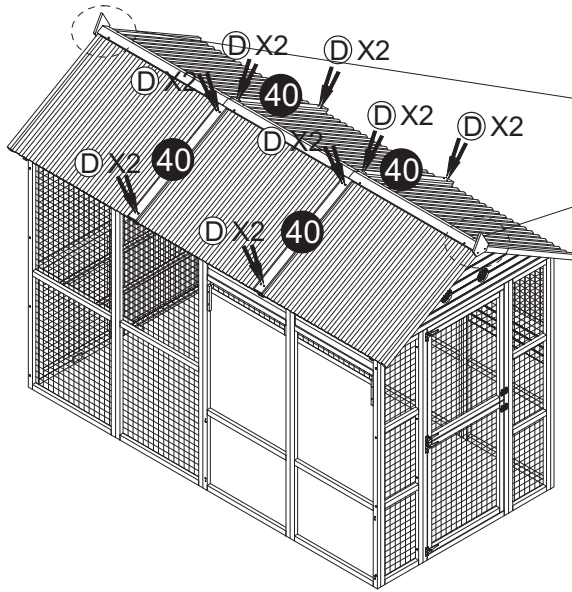
- (B) x8
- (C) x20
- (E) x8

6



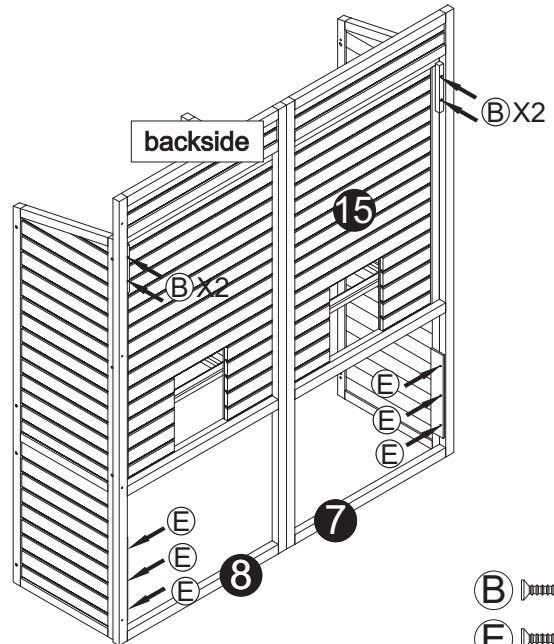
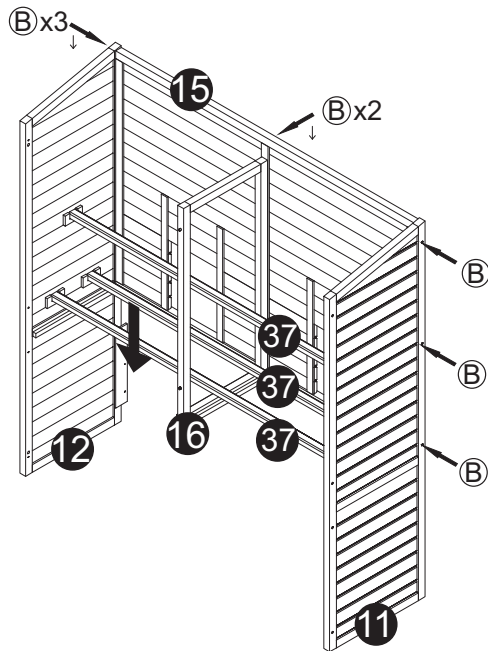
- (A) x16
- (D) x12
- (G) x8



7



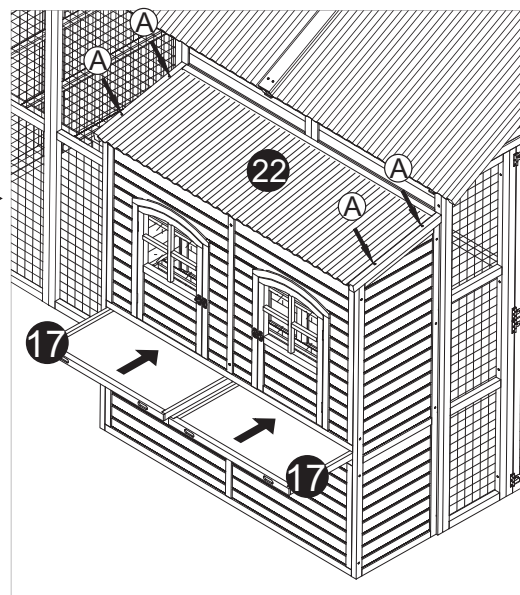
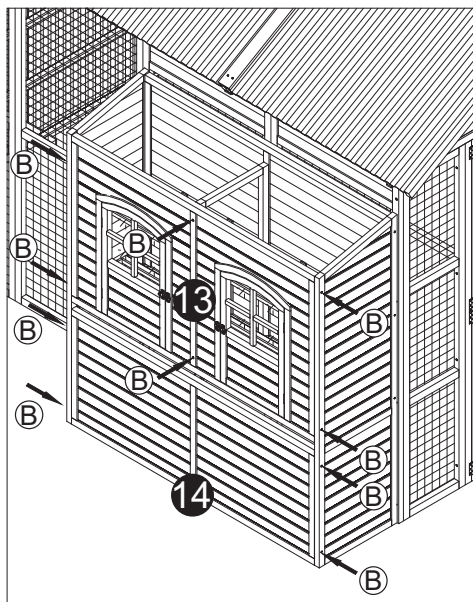
D  x20



8



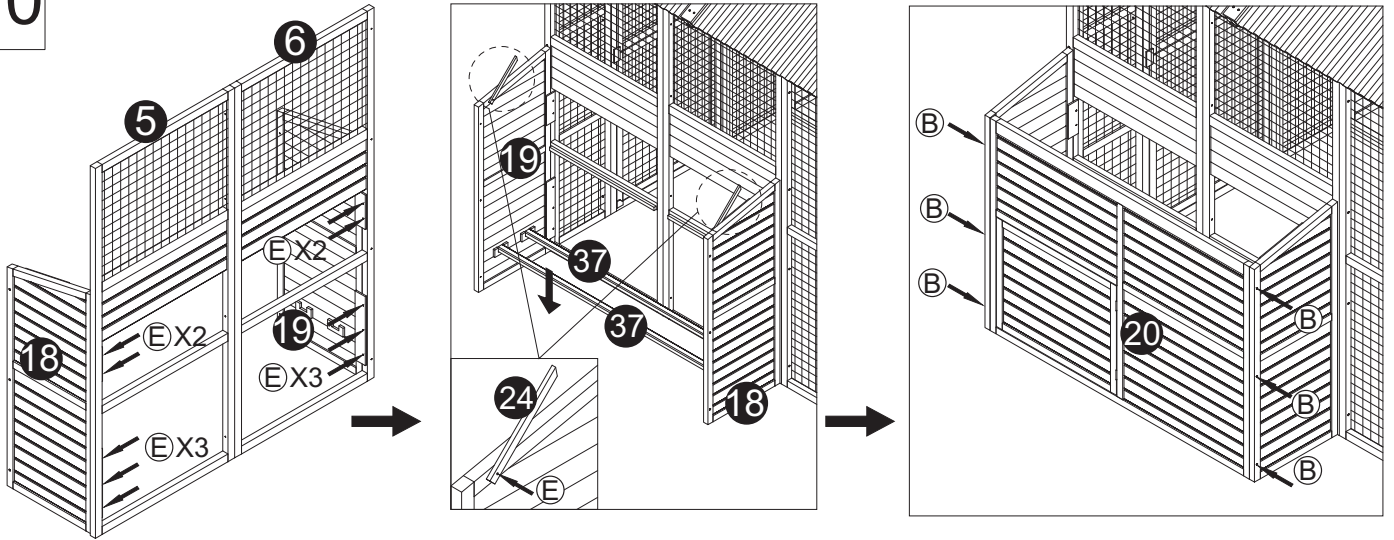
B  x12  
E  x6

9



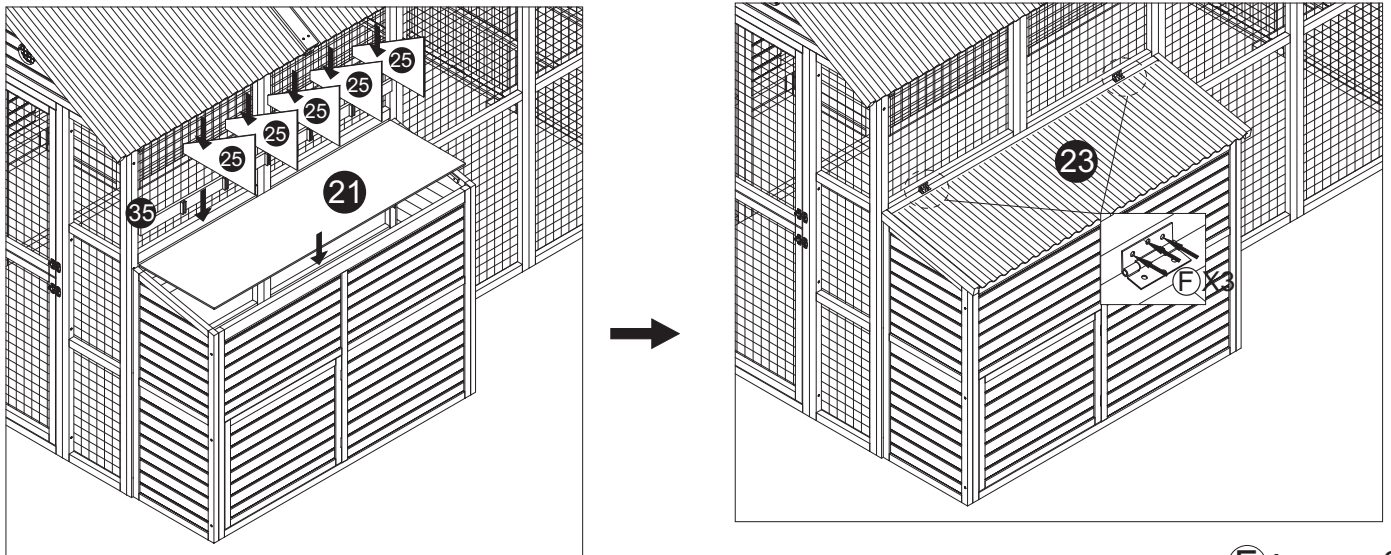
A  x4  
B  x10

10



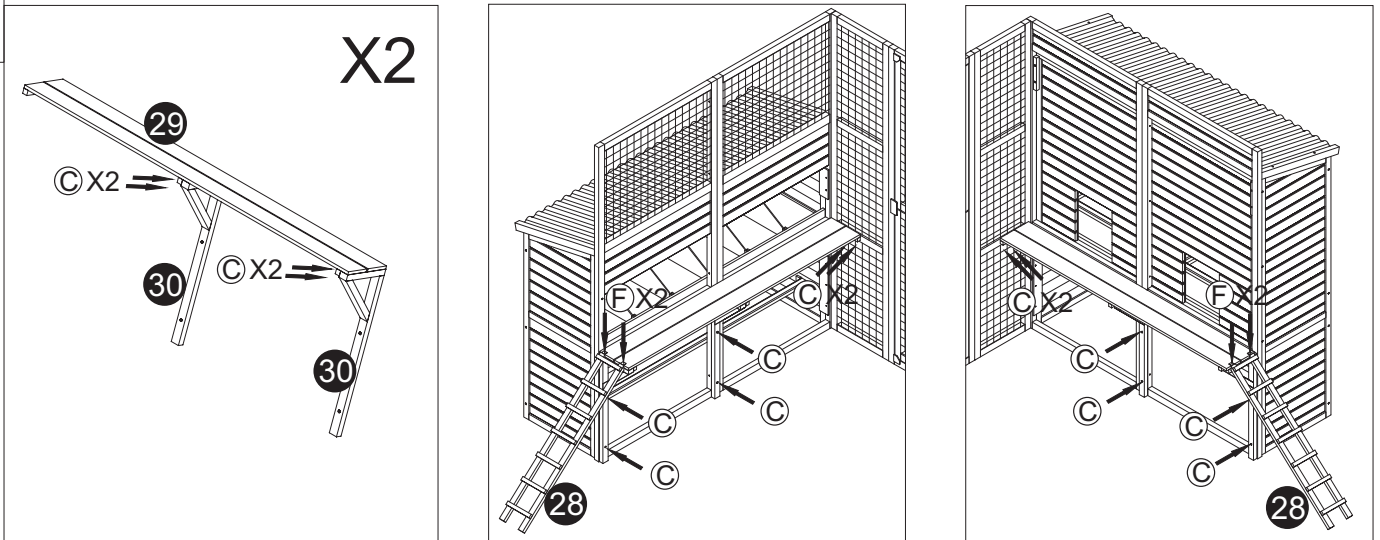
- (B) x6
- (E) x12

11



- (F) x6

12



- (C) x20
- (F) x4