

Ivation

Window Air Conditioner Mounting Support Bracket User Guide

IVAAMOUNT

Thank you for purchasing the Ivation® Window Air Conditioner Mounting Support Bracket. This User Guide is intended to provide you with guidelines to ensure that operation of this product is safe and does not pose risk to the user. Any use that does not conform to the guidelines described in this User Guide may void the limited warranty.

Please read all directions before using the product and retain this guide for reference. This product is intended for household use only.

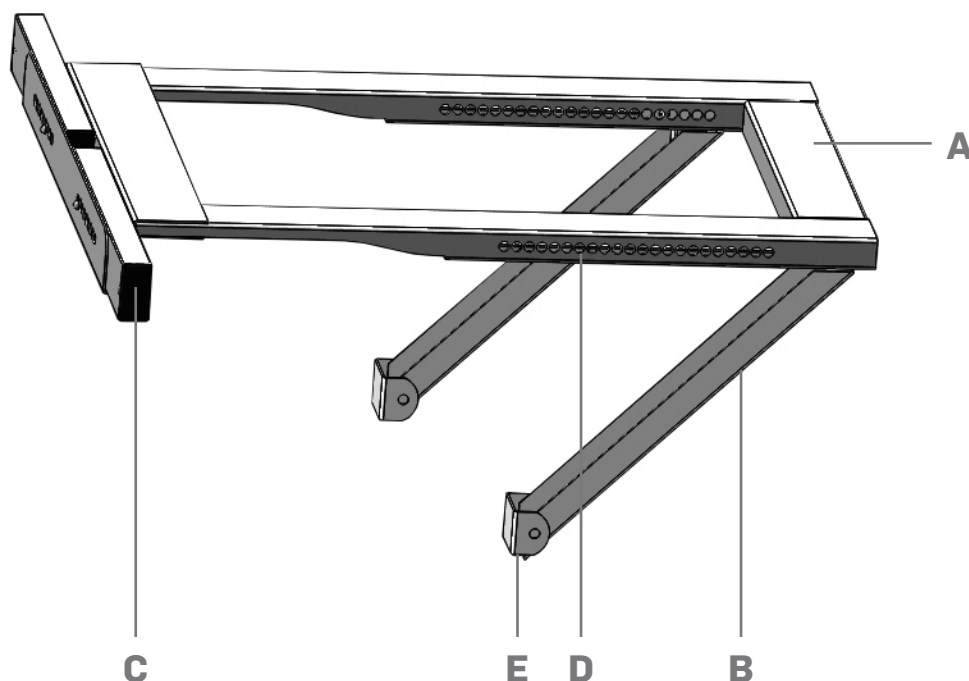
This product is covered by a limited one-year warranty. Coverage is subject to limits and exclusions. See warranty for details.

Box contents

Central bracket (1)
Support legs (2)
Extension beams (2)
User guide

Parts

A Central bracket (1)
B Support legs (2)
C Extension beams (2)
D Locking buttons
E Foot pads



Safety precautions

- Install and operate this device with care.
- This product works with single or double hung windows only. It does not work in slider, crank-out or casement windows.
- This product has been tested for a maximum weight capacity of 200 lbs. Do not place any air conditioner that is heavier than 200 lbs. on the bracket, as it may not be able to capably hold the unit in place.
- Please read this manual in its entirety before installation and carefully follow all instructions contained within.
- Use proper safety equipment during installation.
- This product is not designed to support the weight of people or animals. Do not place children on the unit or attempt to use it as a support for any of the above.

If this product appears to be damaged in any way, do not install and/or attempt to use it to support your air conditioner.

- Please call a qualified installation contractor for help if you don't understand these directions or have any doubts about the safety of the installation.
- Follow manufacturer's instructions for the mounting and installation of your air conditioner. This product was not intended to alter in any way the manufacturer's mounting and installation requirements.
- Do not use this product on dormer windows.
- Certain types of structures surrounding your window may cause issues or prevent you from installing this product. These objects include, but aren't limited to, signs, stone structures, lighting fixtures, awnings, and other similar structures.
- Do not use this product for any purpose or in any configuration not explicitly specified in this user guide.

Assembling the bracket

1. Slide one support leg into each of the two parallel bracket tracks while holding in both buttons on either side of the parallel bracket tracks.
2. Release locking buttons to lock the support legs in position. You can adjust this positioning when placing the bracket in the window by holding in the buttons, sliding the support leg to the desired position, and releasing the buttons to lock it into place once again.
3. For further stability, insert the included extension beams into each side of the beam rail while pressing the locking button.
4. Release locking button so that each extension beam sticks out from the outer hole of the beam rail, thus locking it in place at your desired length.

Place the bracket in window

1. Adjust each extension beam until they are able to be positioned securely inside the window (see figure 2).
2. Press both of the locking buttons at the same time, and slide the leg against the exterior wall to secure it as firmly as possible. You will want the bracket to be positioned so that it angles slightly downward (roughly 1/4" to 1/2") toward the outside, so water does not leak into your window and drains outside. See illustrations below for reference.
3. Ensure that the locking buttons are properly situated in their designated slots.
4. Place air conditioner on the bracket.

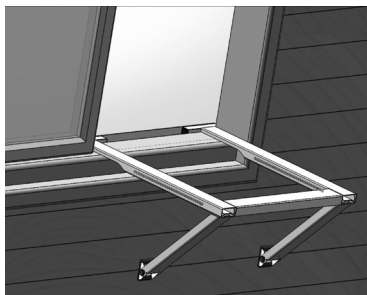


figure 1

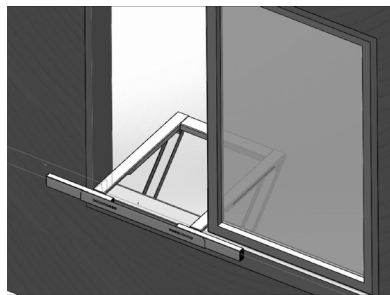


figure 2

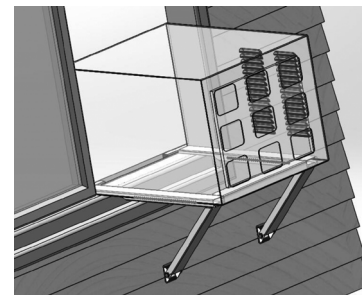


figure 3

Product Size

- 10" (H) x 19.2" (L) x 20" (W) / 25.4 x 48.8 x 50.8cm - without extension beams

Customer service: info@myivation.com | 866-849-3049

Distributed by
C&A Marketing, Inc.
114 Tived Lane East
Edison, NJ 08837 USA

Europe: C&A Europe
167 Hermitage Road
Crusader Industrial Estate
London N4 1LZ
United Kingdom

info@myivation.com

Made in China
Ivation and the Ivation logo are registered
trademarks of C&A Holdings, LLC in the U.S.
©2019 All rights reserved