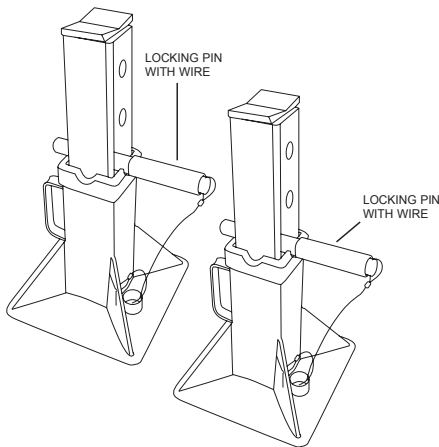


# ITEM # JS22SET

## 22 Ton Jack Stand Set Instructions

22 Ton / 44,000 lbs Max Capacity



Height Intervals	3 x 3.1" (7.62 cm x 7.874 cm)
Min Height	11.8" (29.972 cm)
Max Height	19.7" (50.038 cm)
Saddle Size	2.3" x 3.5" (5.842 cm x 8.89 cm)

### **READ ALL INSTRUCTIONS AND WARNINGS BEFORE USING THIS PRODUCT.**

This manual provides important information on proper operation & maintenance. Every effort has been made to ensure the accuracy of this manual. These instructions are not meant to cover every possible condition and situation that may occur. We reserve the right to change this product at any time without prior notice.

### **IF THERE IS ANY QUESTION ABOUT A CONDITION BEING SAFE OR UNSAFE, DO NOT USE THIS PRODUCT!**

### **QUESTIONS ABOUT THIS PRODUCT - CONTACT CUSTOMER SERVICE.**

If you experience a problem, have questions or need parts for this product, visit our website <http://www.buffalotools.com> or call Customer Service at 1-636-533-9888, Monday-Friday, 8 AM - 4 PM Central Time, or email : [info@buffalotools.com](mailto:info@buffalotools.com). A copy of the sales receipt is required.

### **KEEP THIS MANUAL, SALES RECEIPT & APPLICABLE WARRANTY FOR FUTURE REFERENCE.**

### **CONSEQUENCES OF NOT AVOIDING HAZARDOUS SITUATIONS**

#### **⚠ WARNING**

Failure to read this manual completely and thoroughly, failure to understand its OPERATING INSTRUCTIONS, SAFETY WARNINGS, MAINTENANCE INSTRUCTIONS and comply with them, and failure to comply with the METHODS TO AVOID HAZARDOUS SITUATIONS could cause accidents resulting in serious or fatal personal injury and/or property damage.

## ASSEMBLY INSTRUCTIONS

1. Install the support column in the stand where the locking holes in the column are facing the locking pin attachment location.
2. Most pin type jack stands are designed with a support column that can always be removed from the stand, therefore do not attempt to move or lift the stand by pulling up on the column or its saddle.
3. Some stands are equipped with a storage holder for the locking pin. Locking pins connected to the stand; by way of a tether or lanyard should not be stored in the stand's support column receiver hole.

## OPERATING INSTRUCTIONS



This is the safety alert symbol used for the OPERATING INSTRUCTIONS section of this manual to alert you to potential personal injury hazards. Obey all instructions to avoid possible injury or death.

1. Make sure the work floor is clean and free of debris and obstacles.
2. Chock the vehicle's tires that will not be lifted. Make sure the emergency brake is on and the vehicle's transmission is either in the park mode or in gear if a manual transmission.
3. Raise the vehicle to a safe working height and make sure the jack and vehicle setup are stable before positioning the jack stands.
4. Position the jack stands right below the areas of the vehicle to be supported.
5. Lift the support columns as close to the vehicle as possible without the saddles on the columns coming in contact with the vehicle. Make sure the stands' locking pin is fully engaging the stand on both sides. Never use the stand's lower support plate as a load bearing surface for the locking pin.
6. Slowly and carefully lower the vehicle on the jack stands. Shock loads or loads dropped abruptly on stands can cause premature metal fatigue or even stand failure depending on the weight of the vehicle and the speed of descent that impacts the stands' support columns.
7. When work is completed, raise the vehicle high enough off the stands where the stands can be easily removed.

WARNING: Do not crawl under vehicle when placing/removing stands.



### **IMPORTANT: READ THESE INSTRUCTIONS BEFORE OPERATING**

BEFORE USING THESE STANDS, READ THIS MANUAL COMPLETELY AND THOROUGHLY, UNDERSTAND ITS OPERATING PROCEDURES, SAFETY WARNINGS AND MAINTENANCE REQUIREMENTS.

It is the responsibility of the owner to make sure all personnel read this manual prior to using these stands. It is also the responsibility of the stand owner to keep this manual intact and in a convenient location for all to see and read. If the manual or product labels are lost or not legible, contact the manufacturer for replacements. If the operator is not fluent in English, the product and safety instructions shall be read to and discussed with the operator in the operator's native language by the purchaser/owner or his designee, making sure that the operator comprehends its contents.

## THE NATURE OF HAZARDOUS SITUATIONS

### **⚠ WARNING**

The use of portable automotive lifting and support devices is subject to certain hazards that cannot be prevented by mechanical means, but only by the exercise of intelligence, care, and common sense. It is therefore essential to have owners and personnel involved in the use and operation of the equipment who are careful, competent, trained, and qualified in the safe operation of the equipment and its proper use. Examples of hazards are dropping, tipping or slipping of loads caused primarily by improperly secured loads, overloading, off-centered loads, use on other than hard level surfaces, and using equipment for a purpose for which it was not designed.

## METHODS TO AVOID HAZARDOUS SITUATIONS

### **⚠ WARNING**

- Wear eye protection that meets ANSI Z87.1 and OSHA standards (user and bystanders).
- Do not use beyond rated capacity. Do not shock load.
- Maximum load capacity per matched pair shall not exceed the rated capacity of the individual stand.
- Stands are to be used in matched pairs to support one end of a vehicle only. Do not simultaneously support both ends or one side of a vehicle.
- Center load on saddle. Do not use saddle lugs to support the load.