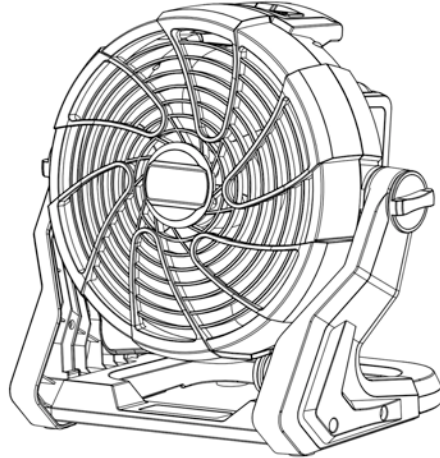


# **ITEM # LIFNKIT20**

## **20V Lithium Ion Cordless Fan**

### **Instructions**



**READ ALL INSTRUCTIONS AND WARNINGS BEFORE USING THIS PRODUCT.**

This manual provides important information on proper operation & maintenance. Every effort has been made to ensure the accuracy of this manual. These instructions are not meant to cover every possible condition and situation that may occur. We reserve the right to change this product at any time without prior notice.

**IF THERE IS ANY QUESTION ABOUT A CONDITION BEING SAFE OR UNSAFE,  
DO NOT USE THIS PRODUCT!**

**QUESTIONS? CONTACT CUSTOMER SERVICE.**

Call Customer Service at 1-636-532-9888, Monday-Friday, 8 AM - 4 PM Central Time, or email :  
[info@amerihomebrand.com](mailto:info@amerihomebrand.com). A copy of the sales receipt is required.

**KEEP MANUAL, SALES RECEIPT & WARRANTY FOR FUTURE REFERENCE.**



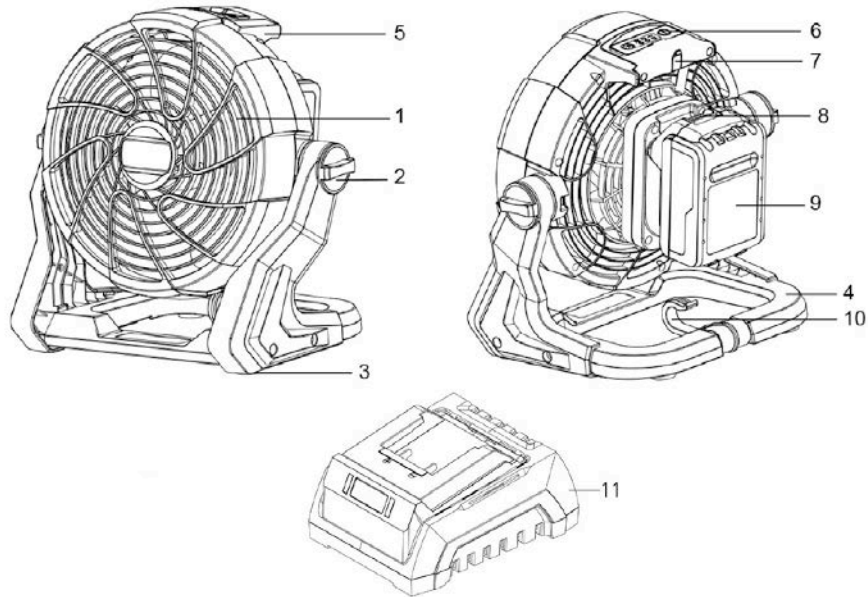
To register your product warranty, please visit [buffalotools.com](http://buffalotools.com) or scan the QR code.

# PRODUCT SPECIFICATION

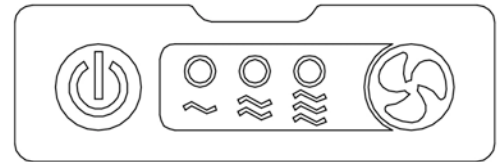
- 7" 18V Li-Ion Cordless Fan
- Material: Plastic
- Charger Voltage: 100-240V/50-60Hz, 60W
- Rated Voltage: 18V, 2.0Ah Li-Ion Battery,
- Motor Output: 11W
- Number of Speed Setting: 3
- Rated Speed: 1,200 / 1,500 / 1,700
- Rated Wind Volume: 180 / 240 / 270 CFM

# TECHNICAL DATA

|               |  |                 |   |
|---------------|--|-----------------|---|
| Power Source  | 8V Battery<br>12V Car cigarette plug<br>100-240Vac to 12V DC adaptor | Fan diameter    | 185mm/with 3x fanblades   |
| Motor Voltage | 12 volts dc  | Runtime         | Hi- 7hrs ,Mi- Lo- 10 hrs @18V 4Ah<br>Hi- 3.5hrs ,Mi- Lo- 5 hrs @18V 2 |
| No-load speed | Hi: 1700 RPM<br>Mi: 1500 RPM<br>Low: 1200 RPM                        | Carry handle    | with  |
| Air volume    | Hi: 270CFM<br>Mi: 240CFM<br>Low:180CFM                               | 12V dc input    | Yes   |
| Wattage       | 11W  | Tilt adjustment | Yes, 0-360°   |
|               |  | Weight          | N.W.: 2.4 Kg (Bare tool)<br>G.W.3.0kg                                 |



- 1. Air exit hole
- 2. Tilt lock
- 3. Leg pad
- 4. Support leg
- 5. Top handle
- 6. Control switch
- 7. DC socket
- 8. Battery lock
- 9. Battery pack
- 10. Hang hook
- 11. Charger



**POWER LO MED HI**

### CARRYING HANDLE

### HANG HOOK

The built-in hang hook telescope out of the back leg and can be used to suspend the fan.

### ANCHOR HOLE


If using the anchor holes, use at least 2 screws, one on each side, secured into sturdy surface.

### TILT LOCKER

Turn two tilt lockers anticlockwise to loosen the fan, then tilt as needed. Before use, turn lockers clockwise to lock.

### SUPPORT LEG

### CONTROL SWITCH

Depress the power switch “” and then select high speed, medium speed or low speed.