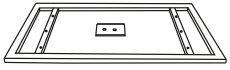


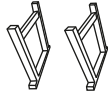
# ITEM # MWFHDT58 Mango Wood Farm House Dining Table

## Assembly Instructions - Max Weight Capacity 800 lbs

Components:



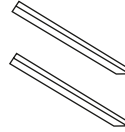
1 Piece Table Top



2 Pieces Table Legs



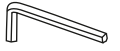
1 Piece Center Post



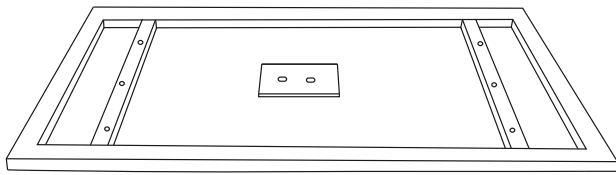
2 Short Posts



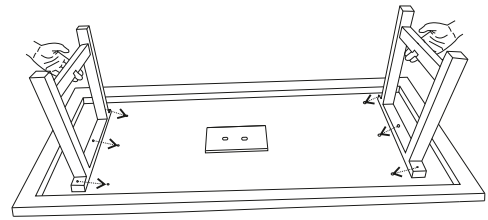
12 Bolts



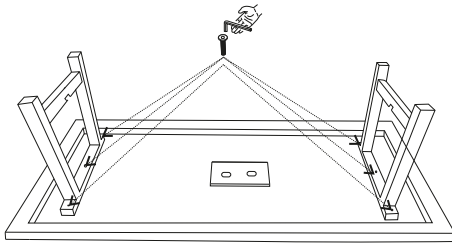
1 Hex Wrench



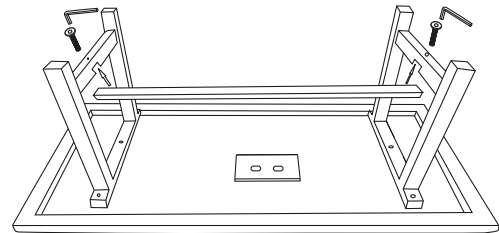
1) Place Table Top on smooth surface.



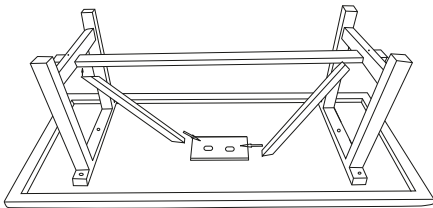
2) Position Table Legs to Table Top.



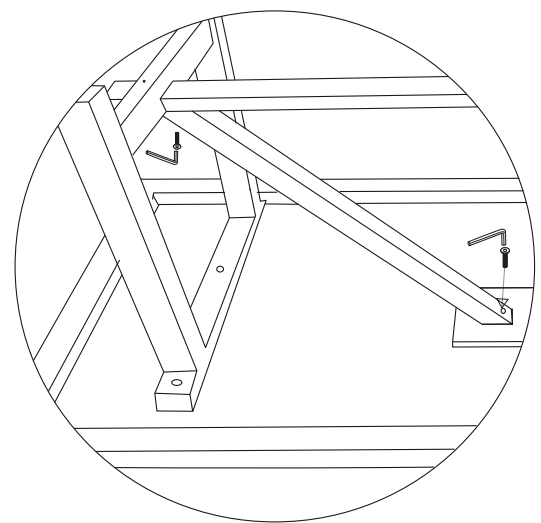
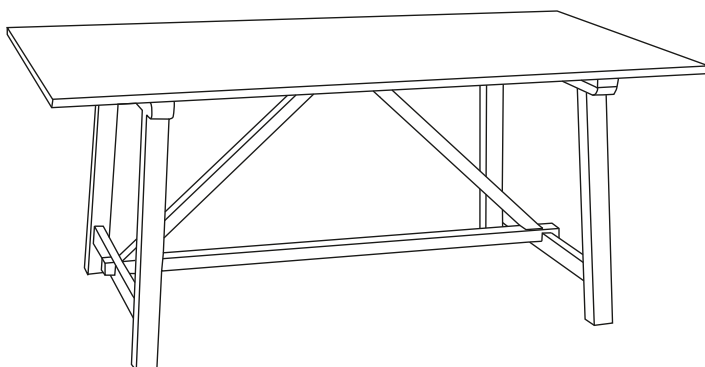
3) Attach Table Legs using Bolts. Loosely tighten bolts.



4) Attach Center Post using Bolts.



5) Attach Short Posts using Bolts.



6) Tighten all bolts. Place bench upright.

If you experience a problem, have questions or need parts for this product, call Customer Service at **1-636-532-9888, Monday-Friday, 8 AM - 4 PM Central Time**