



**PLEASE READ CAREFULLY TO ENSURE YOUR SAFETY:**



**FOR OUTDOOR USE ONLY**

1. Read and follow all instructions.
2. When used in an enclosed area, allow for ample ventilation.
3. Do not expose the propane source to excessive heat.
4. Always inspect the stove, propane source and connectors for damage, debris or dirt before attaching the cylinder to the stove.
5. Always attach/detach the propane source away from any open flame or pilot light and only after the stove has cooled.
6. Always inspect the burner holes for obstructions prior to operation. Do not operate if any blockage is found.
7. Do not use or operate if either the stove or propane source is found to be damaged.
8. Always disconnect the propane source when not in use and/or transporting. Store in an upright position and in a cool, well ventilated area.
9. Be sure to tightly secure all connections to the propane cylinder prior to usage.
10. Absolutely never operate the stove near any flammable liquids or vapors and keep all flammable or combustible materials.
11. Discontinue operation and close valve if:
  - Ambient temperature drops below-10°F (-23°C).
  - There is no fuel remaining in the propane cylinder.
  - Lighting cannot be performed quickly and easily.
  - Combustion becomes unstable or there are repeated flame-outs.
12. Absolutely do not use as a space heater, for illumination, or in a tent.
13. Keep out of the reach of children.

**WARNING: FOR OUTDOOR USE ONLY.**

- Supply plenty of fresh air when using the campstove. Do not obstruct the flow of combustion air or ventilation air.
- Do not use as a space heater.
- Stove produce heat. Keep stove away from burnable materials. Do not place the stove any closer than 24" to combustibles.
- Use a flat, level support surface where the stove is safe from accidental tipping.
- Use only with propane fuel tanks.
- Use only the regulator included with your stove. Do not attempt to alter.

**CAUTION: PROPANE FUEL IS HIGHLY FLAMMABLE AND UNDER PRESSURE.**

Do not store in temperatures over 120°F.  
Never use a flame to check for leaks. Use soapy water.  
Keep out of the reach of children at all times.

**LIMITED WARRANTY**

GAS ONE warrants that for the period of one year this product, will be free from defects in material and workmanship. GAS ONE, at its option, will repair or replace this product or any component of the product found to be defective during the warranty period. Replacement will be made with a new or remanufactured product of component. If the product is no longer available, replacement will be made with a similar product of equal or greater value. This is your exclusive warranty.

This warranty is valid for the original retail purchaser from the date of initial retail purchase and is not transferable. Keep the original sales receipt. Proof of purchase is required to obtain warranty performance. GAS ONE dealers, service centers, or retail stores selling GAS ONE products do not have the right to alter, modify or in any way change the terms and conditions of this warranty.

This warranty does not cover normal wear of parts or damage resulting from any of the following: negligent use or misuse of the product, use contrary to the operating instructions, disassembly, repair or alteration by anyone other than GAS ONE or an authorized service center. Further, the warranty does not cover acts of God, such as fire, flood, hurricanes and tornados.

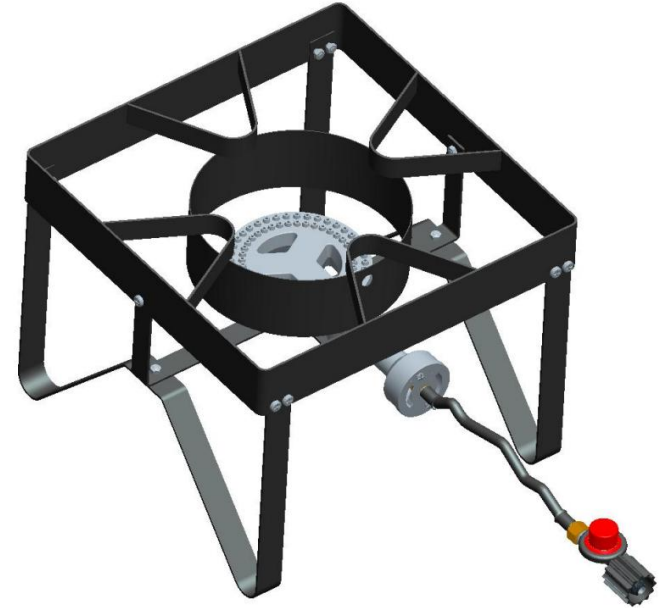
GAS ONE shall not be liable for any incident or consequential damages caused by the breach of any express or implied warranty or conditions. Except to the extent prohibited by applicable law, any implied warranty of merchantability or fitness for a particular purpose is limited in duration to the duration of the above warranty or conditions. Some states, provinces or jurisdictions do not allow the exclusion or limitation of incidental or consequential damages or limitations on how long an implied warranty lasts, so the above limitations or exclusion may not apply to you. This warranty gives you specific legal rights, and you may also have other rights that vary from state to state or province to province. How to obtain warranty service: do not return this product to the store. Call 1(800) 698-5070 or write us at GAS ONE, 6090 Triangle Dr, Commerce, CA 90040. Be prepared to give your name, address, model number, description of the problem, phone number, and proof of retail purchase (sales slip).



Fuel Your Fire, Fuel Your Thirst, Live Outdoors.

**Owner's Manual and  
Operating Instructions  
MODEL NO.  
B-5200K**

**Read all Warnings and Operating Instructions before use and retain for future reference.**



**WARNING: Propane gas is highly amnable and under pressure in the cylinder or tank.  
Do Not store or use gasoline or other amnable liquids or vapors in the vicinity of this stove. If you detect the odor of gas, immediately evacuate the enclosed area and contact the appropriate authorities/professionals.**

**FOR YOUR SAFETY**

Do not store or use gasoline or other liquids with amnable vapors in the vicinity of this or any other appliance.

**IF YOU SMELL GAS:**

1. Do Not attempt to light appliance.
2. Extinguish any open ame.
3. Disconnect from fuel supply.



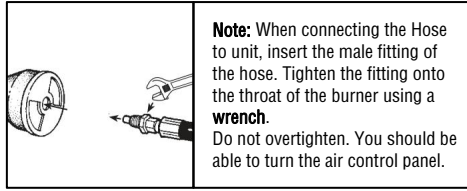
**CARBON MONOXIDE HAZARD**

This appliance can produce carbon monoxide which has no odor. Using it in an enclosed space can kill you. Never use this appliance in an enclosed space such as a camper, tent, car or home.

## INSTRUCTIONS

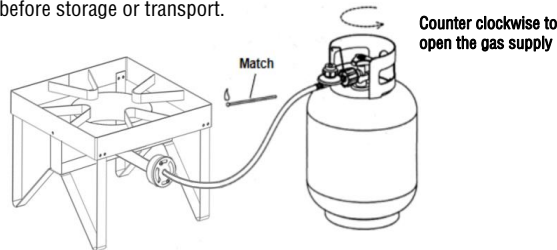
### PREPARATION

1. Place stove on a level, stable surface.
2. Attach propane hose to the brass stove inlet fitting.
3. Make sure propane bulk tank valve is closed.
4. Attach propane hose to outlet of propane tank.
5. Slowly open propane tank valve and check for leaks by applying small amount of liquid soap and looking for bubbles to appear.



### LIGHTING INSTRUCTIONS

1. Read instruction before lighting.
2. When you are sure there are no leaks, turn cylinder valve and regulator control valve on hose to the closed position.
3. Have a fireplace match or long-nosed lighter lit and over the burner from **SIDE**. Keep hands and face away from burner.
4. Slowly open gas supply until burner ignites, keeping hands and face away from burner.
5. Adjust the regulator control valve for desired flame height. Flame should be compact and blue with a slight yellow tip. If the flame is too "Yellow" adjust the air mixture valve under the throat of the cast burner until the flame color is achieved.
6. When finished using the cooker, turn off gas cylinder valve first. It will take a few seconds for the fire to go out and for the propane gas to bleed from the hose and regulator assembly. After the fire is completely out, turn regulator control valve to the OFF position.
7. To re-light, repeat steps 1-6. Always use **CAUTION** as cooker will be hot.
8. If ignition does not occur in 5 seconds, turn the burner control(s) off, wait 5 minutes, and repeat the lighting procedure.
9. After use, let cool for 15 minutes before storage or transport.



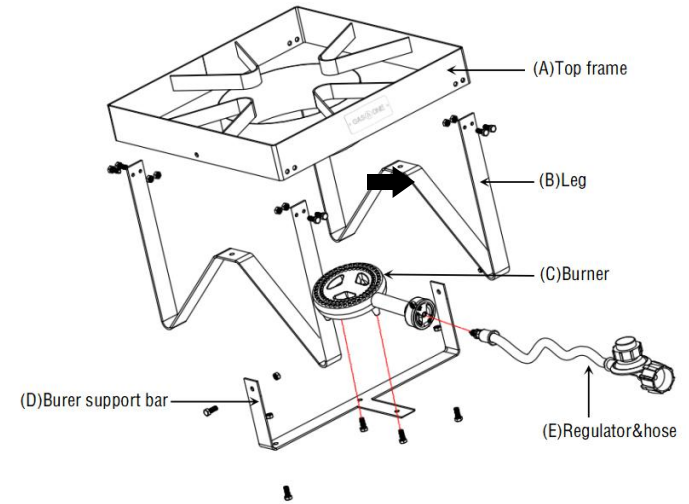
### STORAGE

1. DO NOT leave propane tank attached to stove during storage or transport.
2. Wipe the burners, steel cooking grate, and propane hose before storing.
3. It is suggested to store stove and hose in a nylon storage bag to keep it clean.

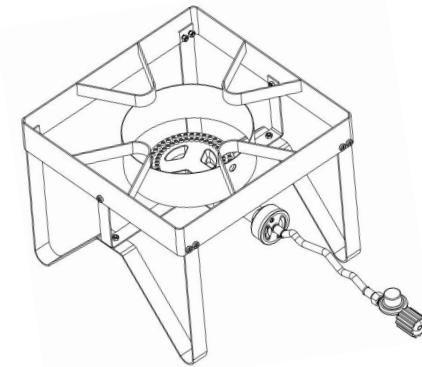
## MAINTENANCE & CARE

1. The area where the cooker will be used must be kept clear and free from combustible materials, gasoline and other flammable vapors and liquids. Before each use of the cooker, inspect and remove any combustible items.
2. The flow of combustion and ventilation of air must not be obstructed. The cooker must be set in an open area with 10 ft. (3.05m) of space on all sides and no roof or overhang overhead. Check the location and placement of the cooker before each use.
3. Before each use of the appliance, check the burner/venturi tube for insects, insect nests, and other obstructions. A clogged tube can lead to a fire beneath the appliance.
4. Follow all Lighting Instructions on page 6-7 each time the cooker is used. Check the flame for proper color and appearance. The flame should burn with a primarily blue color. If a strong yellow flame is present, this could indicate an obstruction in the burner/venturi tube. If there is any obstruction or a yellow flame, and the air shutter adjustment has not solved the problem, turn off the cooker and allow time for it to cool. Disconnect the hose from the cooker. Remove the air shutter using a phillips head screwdriver. Check the venturi tube with a flashlight to see if there is a blockage. If a blockage is present, use a wire such as a coat hanger to slide into the venturi tube to remove the blockage. Reattach the air shutter to the venturi tube using the phillips screwdriver. Assemble and light the cooker again as per the instruction manual.
5. Always use the LP Hose/Regulator assembly supplied with the appliance. Before each use of the appliance check the LP Hose for evidence of abrasion, wear, cuts or leaks. If there is any damage to the hose, the hose/regulator assembly must be replaced prior to using the appliance.

## ASSEMBLY INSTRUCTIONS



1. Assemble the ( D ) burner support to the ( A ) top frame using 4pcs bolts and nuts.
2. Assemble two ( B ) legs to the ( A ) top frame using 10pcs bolts and nuts.
3. Assemble the ( C ) burner to the ( D ) burner support using 2pcs bolts.
4. Wrench tighten all parts. Make sure all bolt sets are used and unit stands sturdily.



## SOCIAL MEDIA

[www.gasone.com](http://www.gasone.com)
[/gasoneusa](https://www.facebook.com/gasoneusa)
[@gasoneusa](https://www.instagram.com/gasoneusa)

Price Zone dba  
**International**

Commerce, CA 90040  
[info@pricezoneusa.com](mailto:info@pricezoneusa.com)  
 Toll Free: 1.800.698.5070  
 Customer Service Hours:  
 M - F: 9 am - 5 pm (PST)