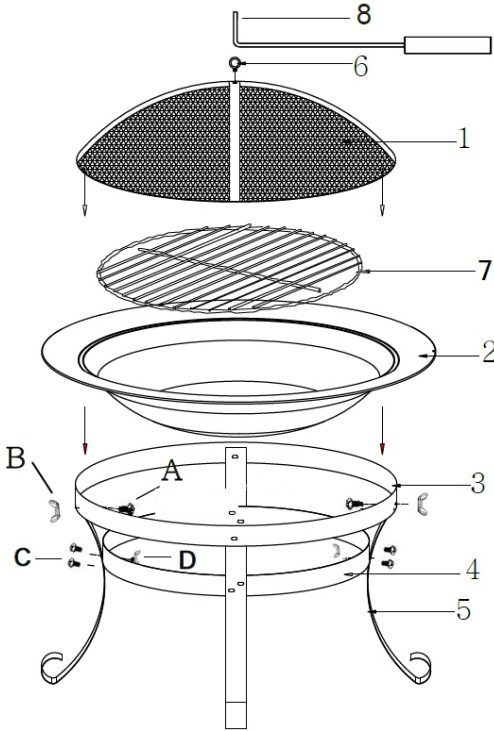


GAS ONE

FIRE PIT INSTALLATION MANUAL
MODEL NO# FP-215


LIST OF PARTS



DESCRIPTION

DESCRIPTION	QTY
(1) GRILL LID	1
(2) FIRE BOWL	1
(3) FIRE BOWL SUPPORT RING	1
(4) LOWER LEG RING	1
(5) LEG	4
(6) TOP HANDLE AND NUT	1
(7) GRATE	1
(8) POKER	1
(A) SCREW (M5*12mm)	4
(B) WING NUT (M5)	4
(C) SCREW (M5*12mm)	8
(D) WING NUT (M5)	8

FOR CALIFORNIA CONSUMERS ONLY:

 **WARNING**
Cancer and Reproductive Harm.
Go to www.P65Warnings.ca.gov

ASSEMBLY

Before you begin assembly lay all the parts out and make sure there are no parts missing or damaged.

1. Attach the bowl supporting ring (3) to the legs (5) and secure using screws (A) and wing nut (B) as shown above. Tighten the screw and wing nut with tool.
2. Attach the lower leg ring (4) to the legs (5) and secure using screws (C) and wing nut (D) as shown above. Tighten the screw and wing nut with tool.
3. place the fire bowl (2) on top of the fire support ring (3).
4. Put the grate (7) in the fire bowl (2) and ensure they are level.
5. Assemble the grill lid (1) and top handle (6) and secure with nut.
6. Place the grill lid (1) on top of the fire bowl (2).

 Price Zone dba
International

Commerce, CA 90040
info@pricezoneusa.com
Toll Free: 1.800.698.5070
Customer Service Hours:
M - F: 9 am - 5 pm (PST)

SOCIAL MEDIA

 www.gasone.com  /gasoneusa  @gasoneusa