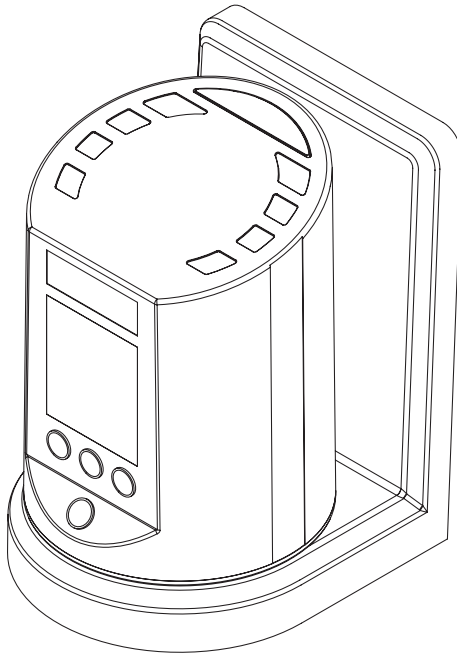




Automatic Tire Inflator Operator's Manual



WARNING:

Carefully review and understand all INSTRUCTIONS prior to operating this device. Failure to follow the safety rules and other basic safety precautions may result in serious personal injury. Keep these instructions in a safe place and accessible so that they can be reviewed as required. Keep these instructions to assist in future servicing needs.

WARNING



Please read this user manual carefully and keep it for further reference.



Please read fully and understand this manual before installing and using the product. This will reduce unnecessary faults and damage.

- **DO NOT use the appliance if it is damaged.**
- If there is anything abnormal during the operation of the machine, please stop using immediately and contact the dealer or customer service, who will provide you with prompt and complete service.
- Make sure the center power line must be grounded.
- The inlet pressure **shall not exceed 12.5Bar** to avoid to damage the machine.
- The compressed air must pass through a filter such as an oil-water separator before entering the inflator, that will avoid corrosion of the internal components of the inflator.
- **DO NOT** point the air source or the air outlet at anybody to avoid personal injury.
- **Calibration: This equipment has been calibrated in the factory and has the self-calibration function. If calibration is required, please contact the manufacturer.**

TECHNICAL SPECIFICATIONS

Item No.	GUT160
Power Supply	AC 110~240V 50-60Hz
Maximum Power	Max. 10W
Maximum Current	800mA
Maximum Inlet Pressure	12.5bar (182psi)
Maximum Outlet Pressure	12bar (174psi)
Working Range	0.5-12bar (7-174psi)
Accuracy	±0.08bar (±1psi)
Operating Temperature	-10°C~50°C (14-122°F)
Operating Humidity	≤95%

PART LIST (See Fig.1)



Fig. 1

OPERATION

1. Operating Button (See Fig.2)

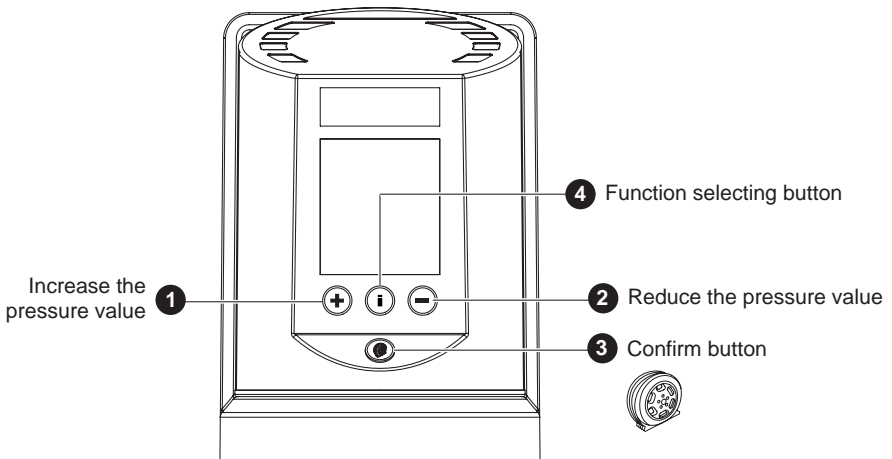


Fig. 2

- 1) Press the "+" or "-" button to set the inflation pressure value, and the inflator will automatically inflate the tire after connection.
- 2) When the set pressure value is reached, the buzzer will beep, and the inflation will stop automatically.
- 3) Press the "i" button once to convert the display unit: Bar/Psi/Kpa/Kgf.
- 4) Press the "i" button twice to start the new tire over-inflation function, and press the "⊗" button after setting until the inflation starts.

2. Function Setting

1) Unit conversion function:

- a. Press (i) once, and the current unit flashes. The [SET] icon lights up.
- b. Press (-) or (+) to select the unit you wish to use.
- c. Press (⊗) to save (the original unit is Bar, and there are four units available: Bar/Psi/Kpa/Kgf).

2) [OPS] function:

- a. Press (i) twice, and the [OPS] icon flashes on the screen.
- b. Press (-) or (+) to select the over-inflation value you wish to achieve and press (⊗) to save.
- c. After the over-inflation is set, the [OPS] icon will be displayed on the screen.
- d. After clamping the chuck on the inflating valve, press and hold (⊗) until the machine starts to inflate.
- e. When the buzzer beeps, the inflation is completed. Pull off the inflation chuck.

3) Special Remark

- a. [OPS] is an over-inflation function for the new tire inflated for the first time to make the tire fit tightly with the wheel hub.
- b. The over-inflation value is equal to the maximum tire pressure minus the standard tire pressure, e.g., a new tire with a MAX. TIRE PRESSURE is 3.5Bar, if the standard tire pressure is 2.5Bar, then the over-inflation shall be set to $3.5-2.5=1.0$ Bar.

Note: *1Bar=100Kpa, 1Psi=6.89Kpa, 1Bar=1.02Kgf.

WIFI Connection

1. Download Smart Life app (See Fig. 3)

You can scan the QR code below to download the Smart Life App:

Also, you can search "Smart Life" in either App Store or Google Play to install the app.



Fig. 3

2. Add device

- 1) Power on the device, long press the device network distribution button for 5 seconds to the Wi-Fi mark blink on the device. **(See Fig. 4)**
- 2) Enter the App, tap "Add Device" or "+", then select "Others – Others (Wi-Fi)". **(See Fig. 5)**
- 3) Enter the Wi-Fi name and Wi-Fi password, and click "Next". **(See Fig. 6)**

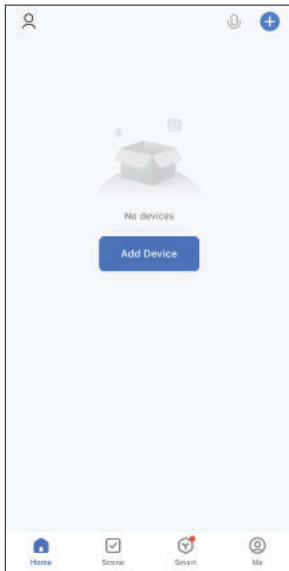


Fig. 4



Fig. 5

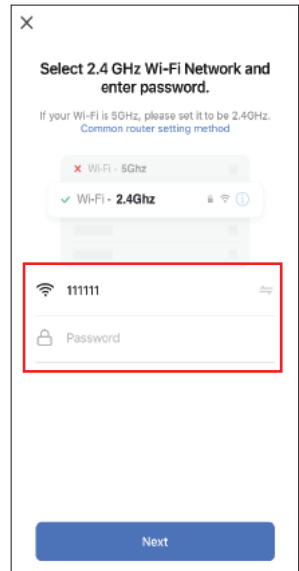


Fig. 6

- 4) Click on the APP to "Confirm the indicator is blinking" and select "Blink Quickly". **(See Fig. 7 & Fig. 8)**
- 5) Click "+" after finding the device, and click "Finish" after adding the device. **(See Fig. 9)**

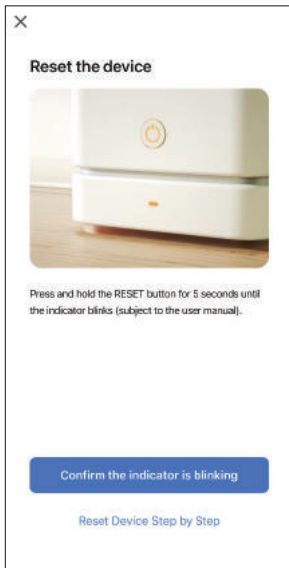


Fig. 7

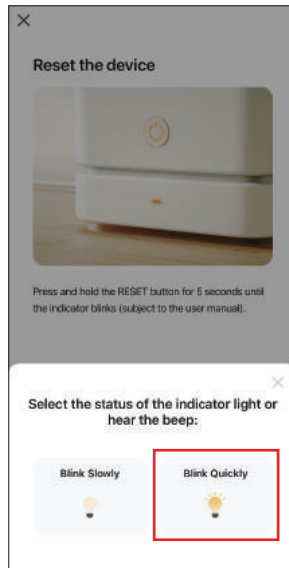


Fig. 8

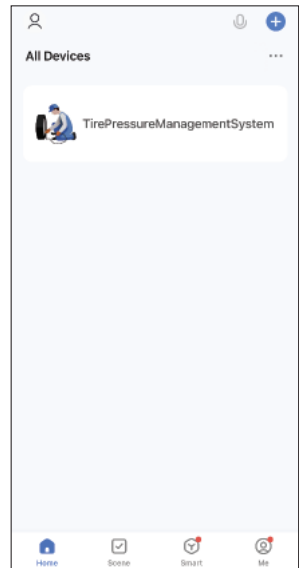


Fig. 9

3. Control device

- 1) Enter the operation interface, you can use the phone to set the target pressure value. (See Fig. 10)
- 2) The chuck is connected to the tire valve, the machine automatically starts to work, and the APP display interface jumps to the working mode. (See Fig. 11)
- 3) After the inflating and deflating is completed, the machine will be beeping, and the APP display interface will show to the completion interface. (See Fig. 12)
- 4) Remove the chuck from the tire and the operating is done.

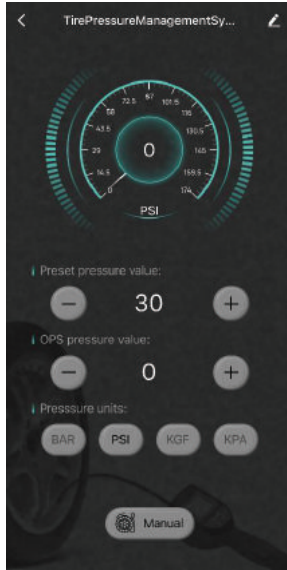


Fig. 10

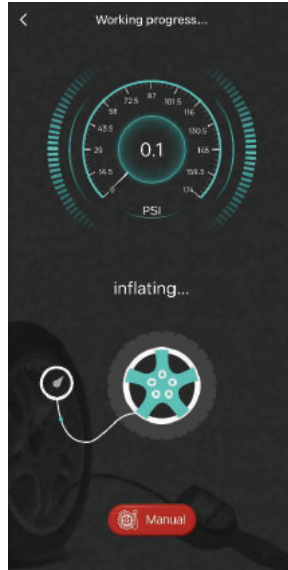


Fig. 11

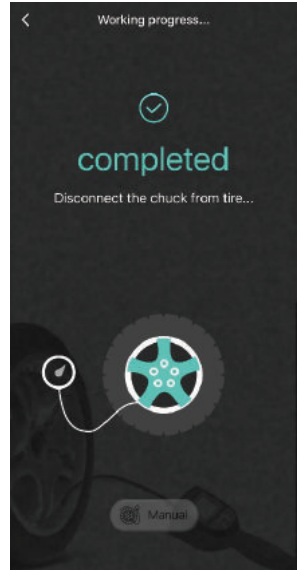



Fig. 12

Maintenance

The inflator has precision electronic components such as built-in integrated circuits and pressure sensors. To ensure that it can work normally and safely, rough operation shall be avoided in daily use, and daily maintenance is also essential.

- 1) Check the connected air channel regularly for leakage, and repair in time if any.
- 2) Check whether the oil-water separator is working normally regularly, and drain the water in the oil-water separator in time to prevent the oil in the air channel from entering the inflator, which may damage the inflator or reduce the service life.
- 3) Check the power supply connected to the inflator regularly for potential safety hazards in the circuit.
- 4) Keep the inflator clean and tidy. Often wipe the machine body with a clean soft cloth. Do not splash water or oil on the inflator body, to prevent damage to the inflator or other safety accidents.

Trouble shooting

Fault	Possible cause	Solution
There is a leakage after connecting the air source.	The connection is tight enough.	Check the air tube connection.
The inflator is working, but no air inflated.	The filter or air hose is blocked.	Clean the filter and check the air hose.
After the pressure is set and the inflator connect to the tire, the inflator does not start automatically.	The air tube is not connected tightly.	Check the connection to ensure no air leakage.
	At present, the tire pressure is below 0.2Bar.	Press the  button for a long time.
The inflator deflates very slowly.	The muffler is blocked.	Clean the muffler.
The LCD displays Er1	The pressure sensor is damaged.	Turn off the power and return it to the factory.
The LCD displays Er2	The chuck is leaking air.	Clamp the chuck to avoid air leakage.
The LCD displays Er3	The tire pressure to be inflated is too high, greater than 13 Bar.	Stop inflation.
The LCD displays Er4	The inlet and outlet ends are connected incorrectly.	Connect the two ends correctly according to the inlet and outlet end indication signs.
The LCD displays Er5	Low voltage.	Check the power supply.
The LCD displays Er6	The program calibration data is lost.	Return it to the factory.
The LCD displays Er7	The program calibration data is lost.	Return it to the factory.
The LCD displays Er8	The intake air supply pressure is lower than the set pressure value of the pneumatic tire or there is no intake pressure.	Check the air supply.

Warranty

Twelve (12) months for workmanship of the product, except for wearing parts. Warranty period starts from the product purchase date.

Warranty covers material quality and workmanship only.

Warranty does not cover product for issues caused by improper usage or any operation not in accordance with the specifications of this manual.

Any modification or tampering with the product in any way voids the warranty.



Great Circle USA
Support Line: 1-866-493-0524
Email: help@greatcircleus.com
www.greatcircleus.com
www.greatcircleca.com



US



CA

Scan me to get more new products.