



3PT Chisel Plow

OWNER'S MANUAL



WARNING:

Read carefully and understand all **ASSEMBLY AND OPERATION INSTRUCTIONS** before operating. Failure to follow the safety rules and other basic safety precautions may result in serious personal injury.

Model # FTF-5SCP3PT

Thank you very much for choosing this product! For future reference, please complete the owner's record below:

Model: _____ Purchase Date: _____

Save the receipt, warranty and these instructions. It is important that you read the entire manual to become familiar with this product before you begin using it.

This product is designed for certain applications only. The manufacturer cannot be responsible for issues arising from modification. We strongly recommend this product not be modified and/or used for any application other than that for which it was designed. If you have any questions relative to a particular application, DO NOT use the product until you have first contacted us to determine if it can or should be performed on the product.

For technical questions please call **1-218-943-6296**.

INTENDED USE

A great implement for preparing land for deep tillage that causes little soil disruption. The main function of this plow is to aerate and loosen the soil while spreading crop residue over the soil surface. The chisel plow can be used to break up hard pan and plow pan and minimize compaction. Conditions for low-till agriculture that prevents soil erosion.

TECHNICAL SPECIFICATIONS

Item	Description
Item Size:	65inx 45inx 39in
Shank Size:	0.55"x2" at 19"H
Shank Quantities	5pcs
Shank Space:	15"
Working width:	65"

GENERAL SAFETY RULES



WARNING: Read and understand all instructions. Failure to follow all instructions listed below may result in serious injury.



CAUTION: Do not allow persons to operate or assemble this 3PT Chisel Plow until they have read this manual and have developed a thorough understanding of how the 3PT Chisel Plow works.



WARNING: The warnings, cautions, and instructions discussed in this instruction manual cannot cover all possible conditions or situations that could occur. It must be understood by the operator that common sense and caution are factors which cannot be built into this product, but must be supplied by the operator.

SAVE THESE INSTRUCTIONS

WORK AREA

- **Keep work area clean**, free of clutter and well lit. Cluttered and dark work areas can cause accidents.
- **Keep children and bystanders** away while operating a 3PT Chisel Plow. Distractions can cause you to lose control, so visitors should remain at a safe distance from the work area.
- **Be alert of your surroundings.** Using a 3PT Chisel Plow in confined work areas may put you dangerously close to cutting tools and rotating parts.

PERSONAL SAFETY

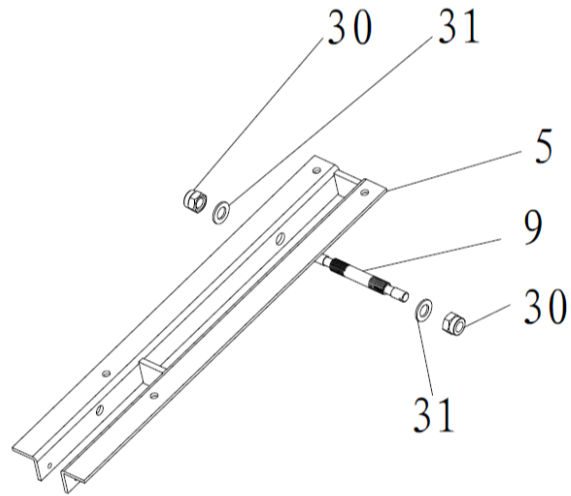
- **Stay alert**, watch what you are doing and use common sense when using a 3PT Chisel Plow. Do not use a 3PT Chisel Plow while you are tired or under the influence of drugs, alcohol or medication. A moment of inattention while operating a may result in serious personal injury.
- **Dress properly.** Do not wear loose clothing, dangling objects, or jewelry. Keep your hair, clothing and gloves away from moving parts. Loose clothes, jewelry or long hair can be caught in moving parts.
- **Use safety apparel and equipment.** Use safety goggles or safety glasses with side shields which comply with current national standards, or when needed, a face shield. Use a dust mask if working in dusty work conditions. This applies to all persons in the work area. Also use non-skid safety shoes, hardhat, gloves, dust collection systems, and hearing protection when appropriate.
- DO NOT EXCEED tractor specifications.

3PT Chisel Plow USE AND CARE

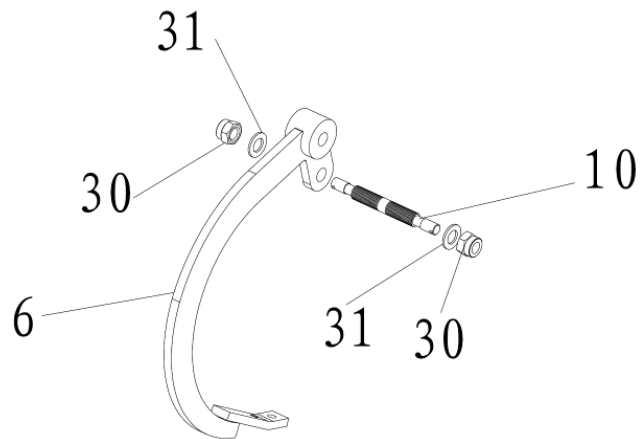
- **Do not modify the 3PT Chisel Plow in any way.** Unauthorized modification may impair the function and/or safety and could affect the life of the equipment. There are specific applications for which the 3PT Chisel Plow was designed.
- **Always check for damaged or worn-out parts before using the 3PT Chisel Plow.** Broken parts will affect the 3PT Chisel Plow operation. Replace or repair damaged or worn parts immediately.
- **Do not exceed the 3PT Chisel Plow load capacity.**
- **Distribute the load evenly.** Uneven loads may cause the 3PT Chisel Plow to tip, resulting in personal injury to the operator or others.
- **Use the 3PT Chisel Plow on flat and level surfaces** capable of supporting the 3PT Chisel Plow and its maximum load. Pulling or pushing a load on a slanted or uneven surface can result in loss of control.
- **Store idle 3PT Chisel Plow.** When 3PT Chisel Plow is not in use, store it in a secure place out of the reach of children. Inspect it for good working condition prior to storage and before re-use.
- **Check tractor specifications, DO NOT EXCEED tractor capacities.**

ASSEMBLY

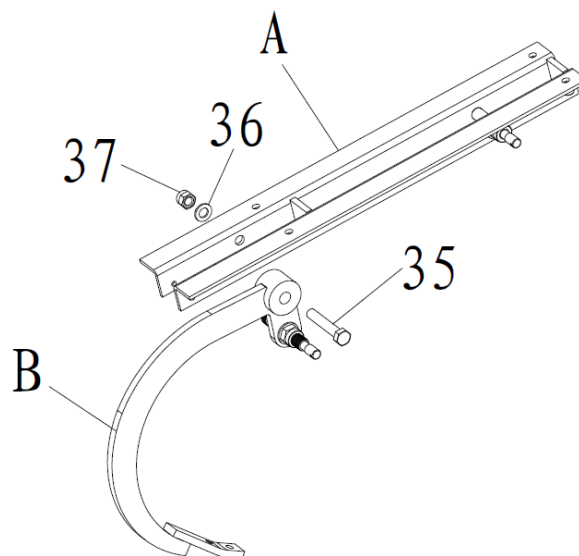
1. Install Shaft with threaded ends I (#9) onto Long Bracket, Bottom Lug shank (#5) with 2pcs Lock Nut (#30) and 2pcs Flat Washer (#31) as Part A, There are 3pcs of Part A.



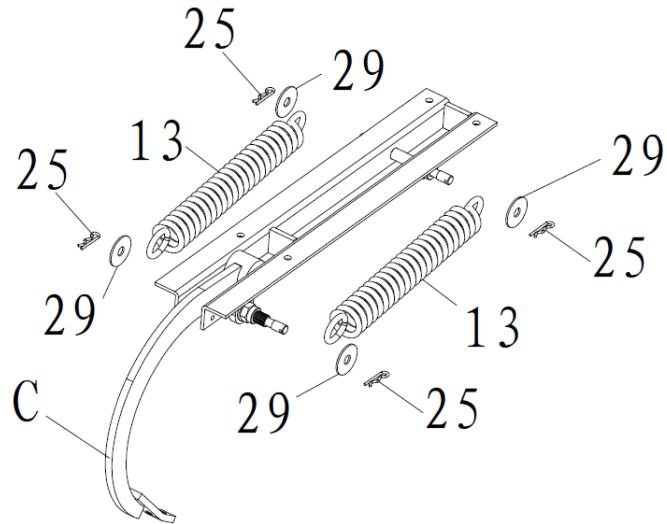
2. Install Shaft with threaded ends II (#10) onto Shank, Bottom Lug (#6) with 2pcs Lock Nut (#30) and 2pcs Flat Washer (#31) as Part B, There are 3pcs of Part B.



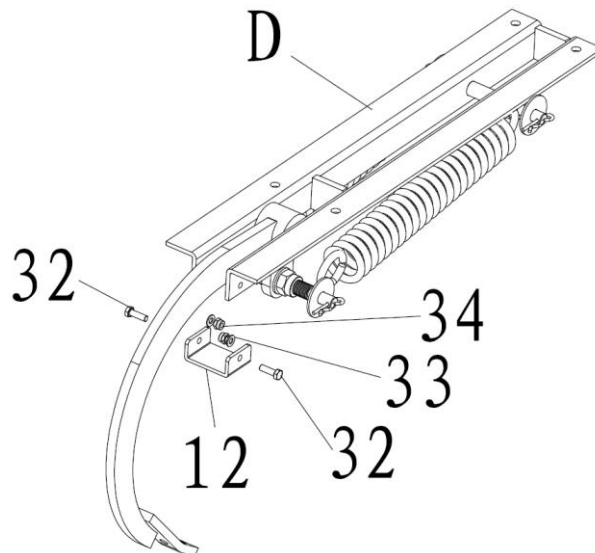
3. Assemble Part A and with Part B with Bolt (#35), Flat Washer (#36) and Lock Nut (#37) as Part C. There are 3pcs of Part C.



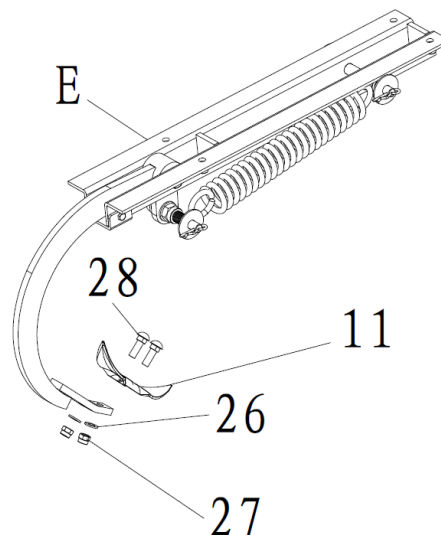
- Secure 2pcs Spring (#13) onto Part C with 4pcs R-Pin (#25) and 4pcs Washer (#29) as Part D. There are 3pcs Part D.



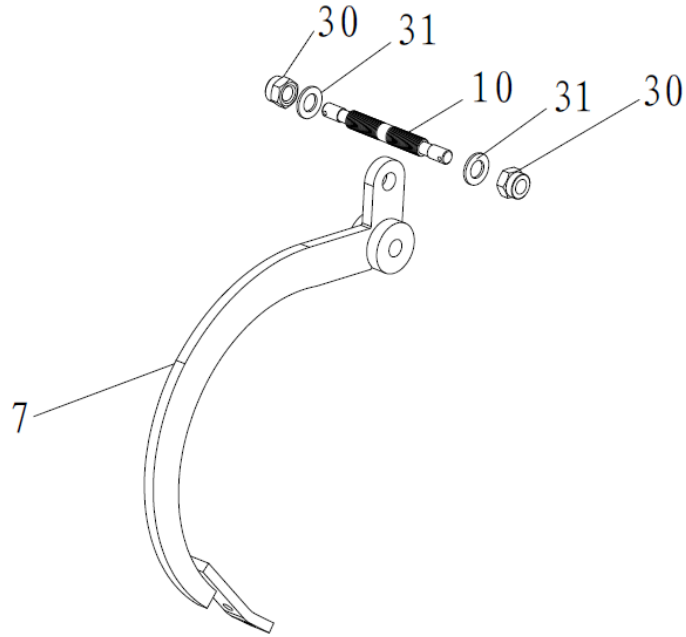
- Install U-Shape Stop (#12) onto Part D using each 2pcs of Bolt (#32), Flat Washer (#33) and Lock Nut (#34) as Part E. There are 3pcs of Part E.



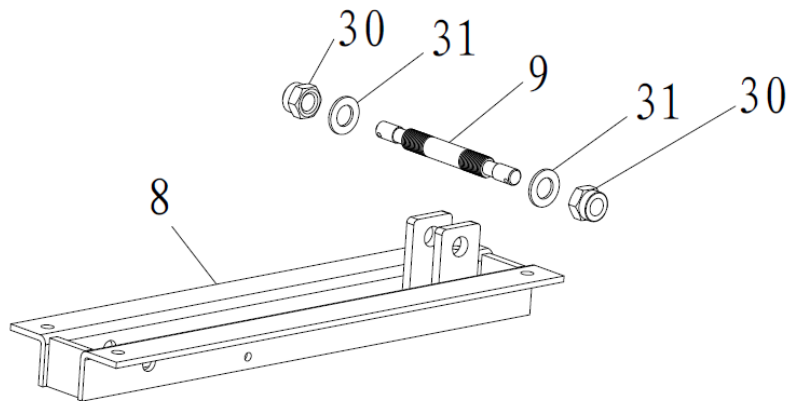
- Install Plow (#11) onto Part E with each 2pcs of Flat Washer (#26), Lock Nut (#27) and Carriage Bolt (#28) as Part F. There are 3pcs of Part F.



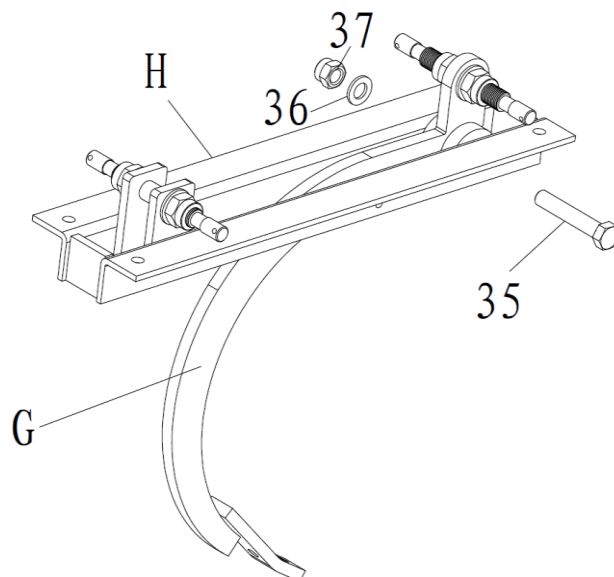
7. Secure Shaft with Thread ends II (#10) with Shank, Top Lug (#7) with 2pcs Lock Nut (#30) and 2pcs Flat Washer (#31) as Part G. There are 2pcs of Part G.



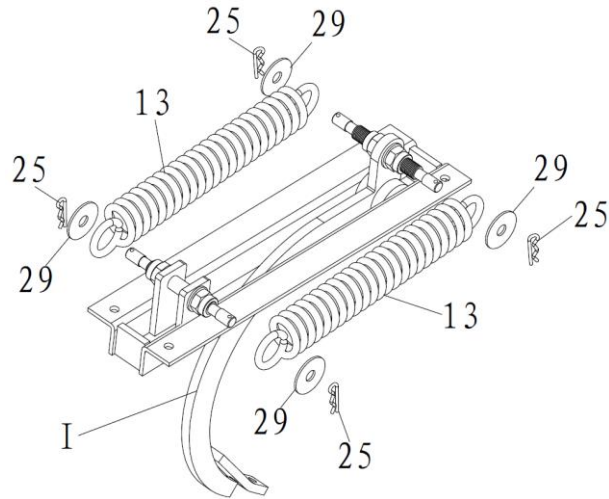
8. Secure Shaft with Thread ends I (#9) with Short Bracket, Top Lug Shank (#8) with 2pcs Lock Nut (#30) and 2pcs Flat Washer (#31) as Part H. There are 2pcs of Part H.



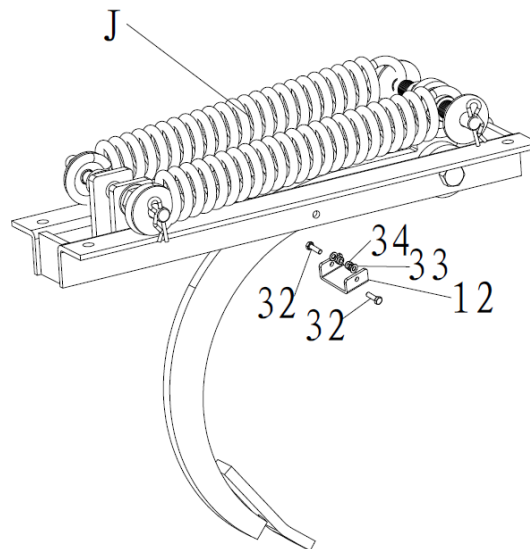
9. Connect Part G and Part H by using Bolt (#35), Flat Washer (#36) and Lock Nut (#37) as Part I. There are 2pcs of Part I.



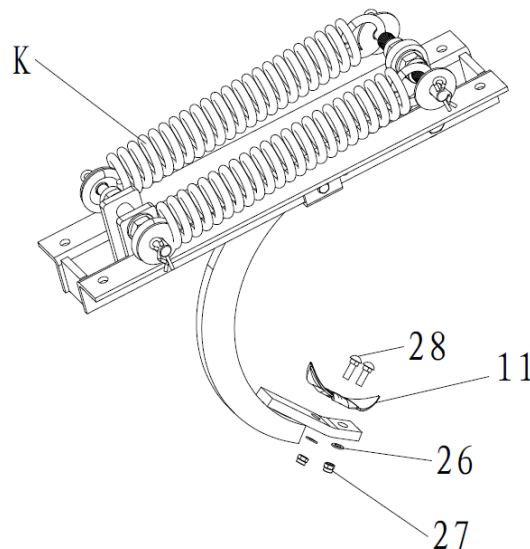
10. Install 2pcs Spring (#13) onto Part I with 4pcs R-Pin (#25) and 4pcs Washer (#29) as Part J.
There are 2pcs of Part J.



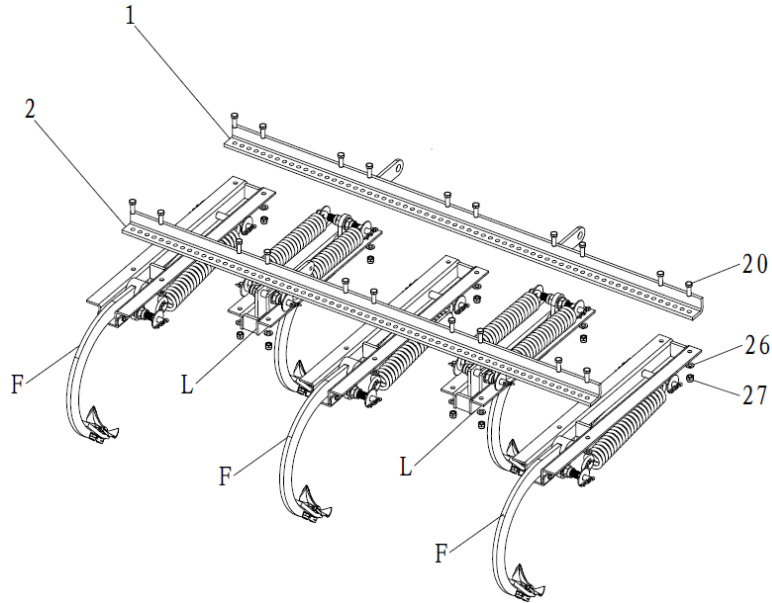
11. Attach U-Shape Stop (#12) onto Part J by using each 2pcs of Bolt (#32), Flat Washer (#33) and Lock Nut (#34) as Part K. There are 2pcs of Part K.



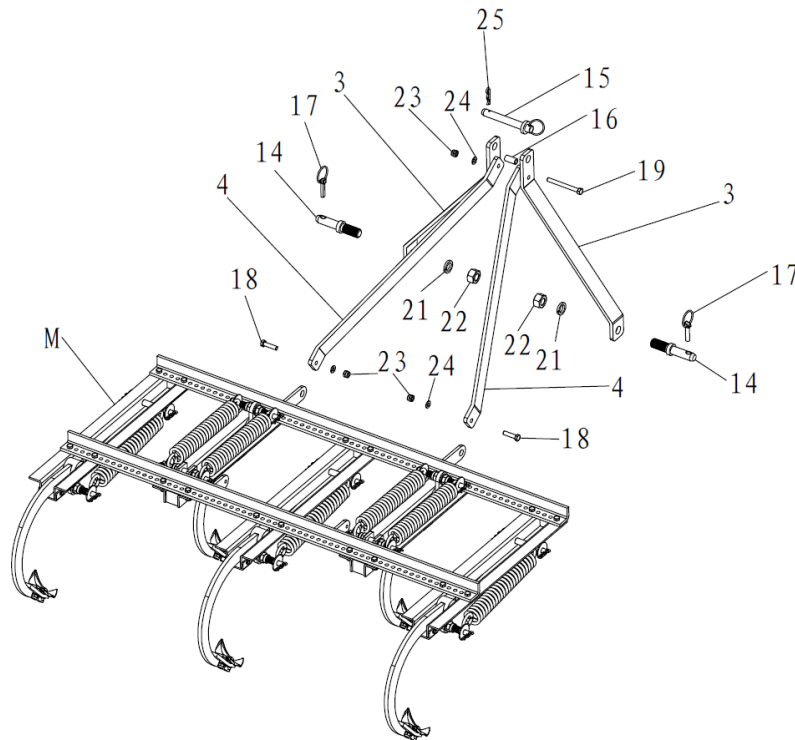
12. Attach Plow (#11) onto Part K by using Flat Washer (#26), Lock Nut (#27) and Carriage Bolt (#28) as Part L. There are 2pcs of Part L.



13. Install 3pcs Part F and 2pcs Part L onto Frame I (#1) and Frame II (#2) with each 20pcs of Bolt (#20), Flat Washer (#26) and Lock Nut (#27) as Part M.



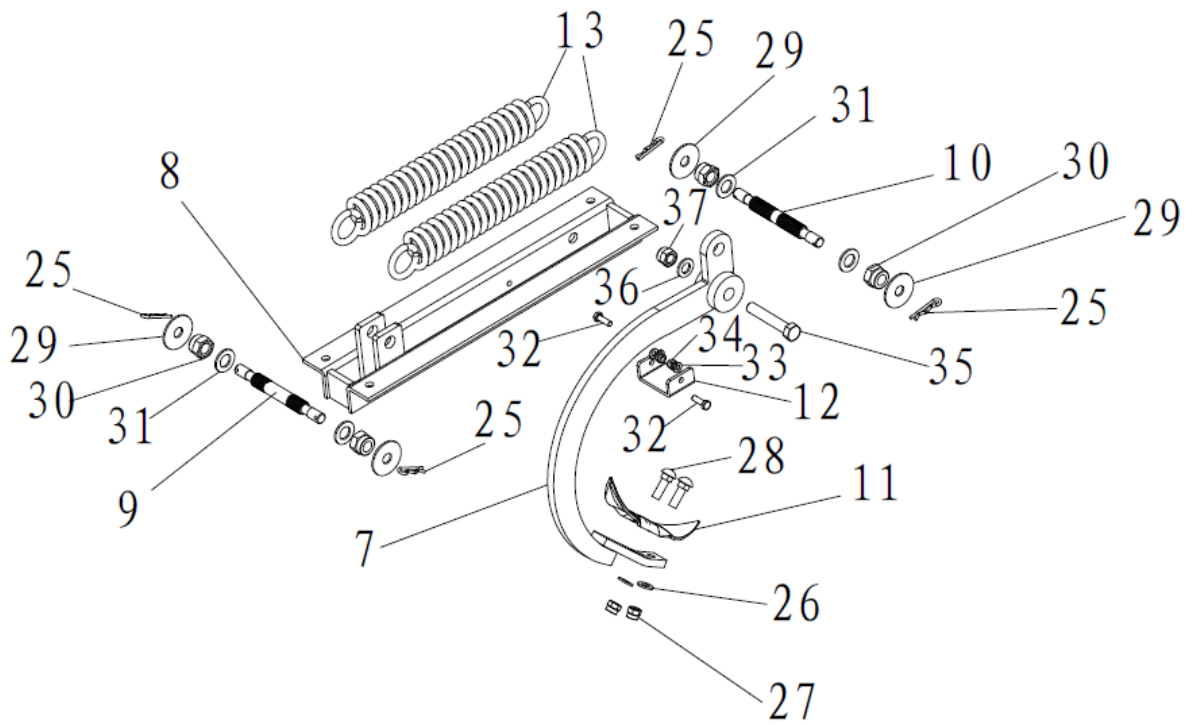
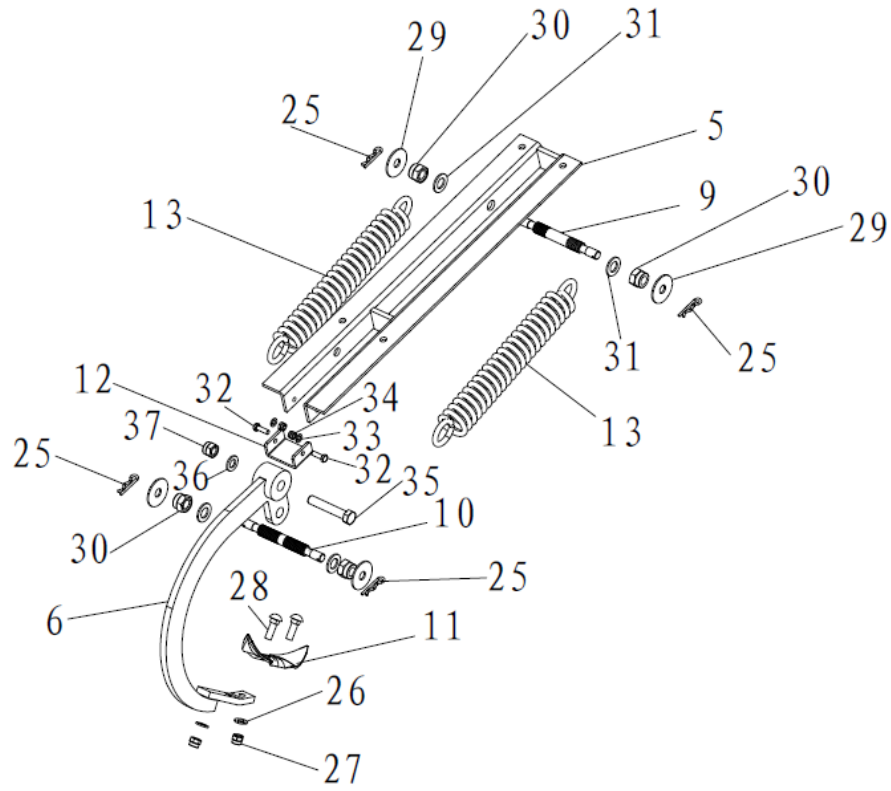
14. Attach 2pcs Support Bar (#4) onto Part M with each 2pcs of Bolt (#18), Lock Nut (#23) and Flat Washer (#24). Also install Spacer (#16) and 2pcs A Frame Bar (#3) onto M with Bolt (#19), Lock Nut (#23) and Flat Washer (#24). Attach 2pcs Lift Pin (#14) with M by using 2pcs Lynch Pin (#17), 2pcs Spring Washer (#21) and 2pcs Nut (#22). Finally secure the product with Top Pin (#15) and R-Pin (#25).

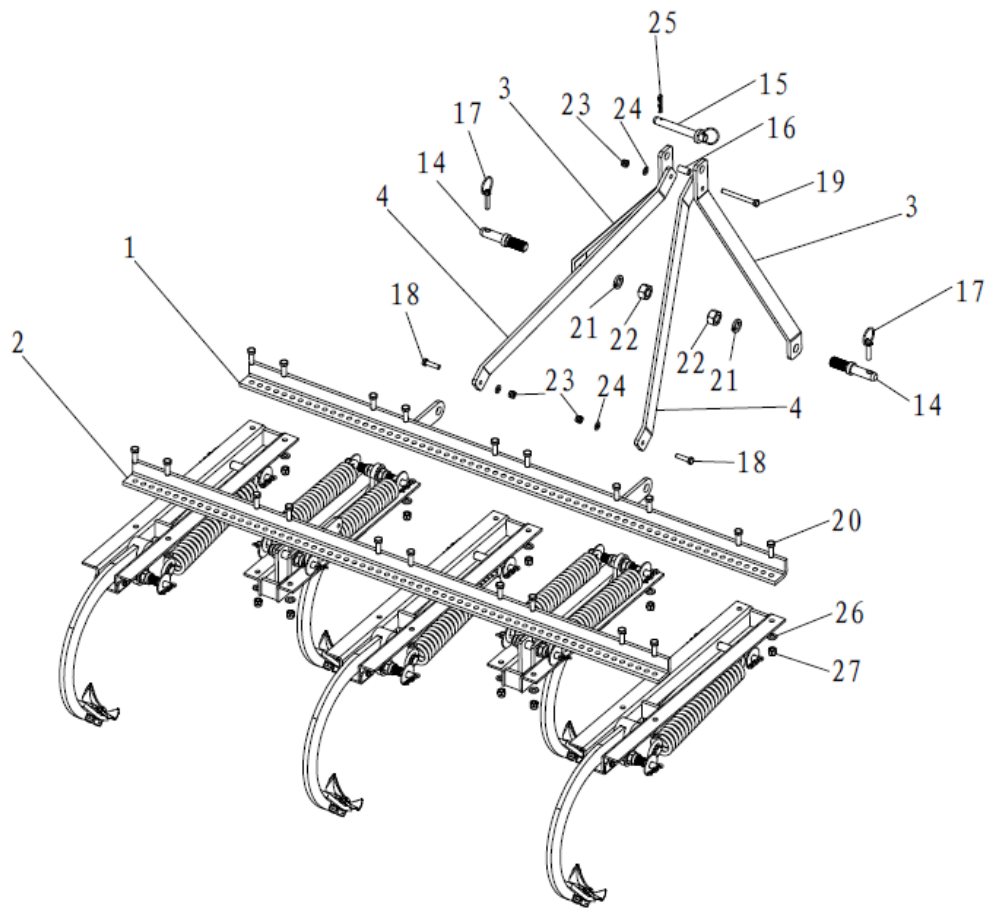


MAINTENANCE

- **Maintain your 3PT Chisel Plow.** It is recommended that the general condition of any 3PT Chisel Plow be examined before it is used. Keep your 3PT Chisel Plow in good repair by adopting a program of conscientious repair and maintenance. If any abnormal vibrations or noise occurs, have the problem corrected before further use. Have necessary repairs made by qualified service personnel.
- Check springs and shovels after each use.

DIAGRAM & PARTS LIST





Part#	Description	Qty.	Part#	Description	Qty.
1	Frame I	1	20	Bolt M12*35	20
2	Frame II	1	21	Spring Washer 22	2
3	A Frame Bar	2	22	Nut M22	2
4	Support Bar	2	23	Lock Nut M10	3
5	Long Bracket, Bottom Lug Shank	3	24	Flat Washer 10	3
6	Shank, Bottom Lug	3	25	R-Pin 4.5	21
7	Shank, Top Lug	2	26	Flat Washer 12	30
8	Short Bracket, Top Lug Shank	2	27	Lock Nut M12	30
9	Shaft with threaded ends I	5	28	Carriage Bolt M12*40	10
10	Shaft with threaded ends II	5	29	Washer	20
11	Plow	5	30	Lock Nut M20	20
12	U-Shape Stop	5	31	Flat Washer 20	20
13	Spring	10	31	Bolt M8*25	10
14	Lift Pin	2	33	Flat Washer 8	10
15	Top Pin	1	34	Lock Nut M8	10
16	Spacer	1	35	Bolt M16*85	5
17	Lynch Pin	2	36	Flat Washer 16	5
18	Bolt M10*35	2	37	Lock Nut M16	5
19	Bolt M10*90	1			

For replacement parts and technical questions, please call **1-218-943-6296**.

WARRANTY

One-year limited parts warranty



PO BOX 203
Miltona, MN 56354

MADE IN CHINA