

DEWALT®

EV CHARGER

SPECIFICATIONS



DXPAEV040

40 Amp Portable Electric Vehicle Charger

Connector And Electrical

Input Cord	NEMA 14-50
AC Power Output Rating	Maximum 9.6 kW (240V AC * 40A). Output amperage adjustable via mobile app to 12A, 16A, 20A, 24A, 32A, 40A
AC Power Input Rating	240V AC 60 Hz single phase @ 12A, 16A, 20A, 24A, 32A, 40A
Required Service Panel Breaker	Dedicated Dual Pole rated for 125% of maximum load (ex: 50A breaker for 40A output)
Service Panel GFCI	External GFCI may conflict with internal GFCI (CCID). For hardwired installations, use a non-GFCI circuit breaker.
Power Wiring	3 Wire – L1, L2 plus Earth (no neutral)
Charging Cable Length	25 ft (750.00 cm/295.28 in)
Connector Type	SAE J1772 standard compliant
Power Measurement Accuracy	+/- 2.0% from 2% to full scale

Safety And Connectivity Feature

Ground Fault Detection	20 mA CCID with auto retry
Open Safety Ground Detection	Continuously monitors presence of safety (green wire) ground connection
Plug-Out Detection	Power terminated per SAE J1772 specifications
Local Area Network	2.4GHz WiFi (802.11 a/b/g/n)
Device Storage	Local data storage with capacity of up to 90 days of charging session data (100 sessions) in case of interrupted network connection
Software Updates	Firmware updated over-the-air (OTA)

Safety And Operational Ratings

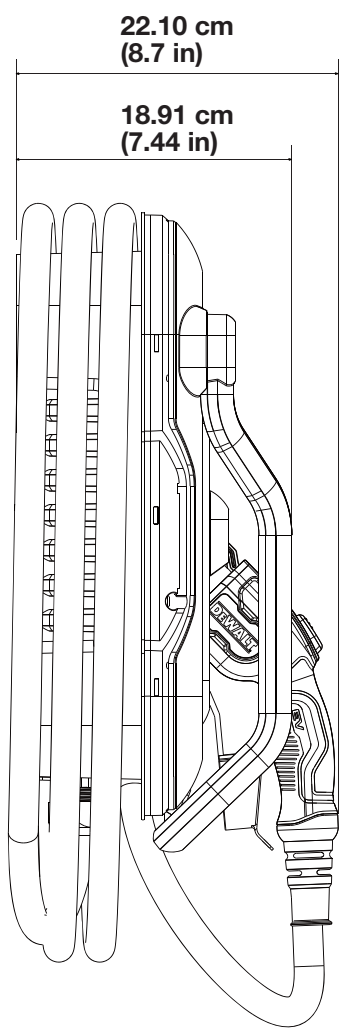
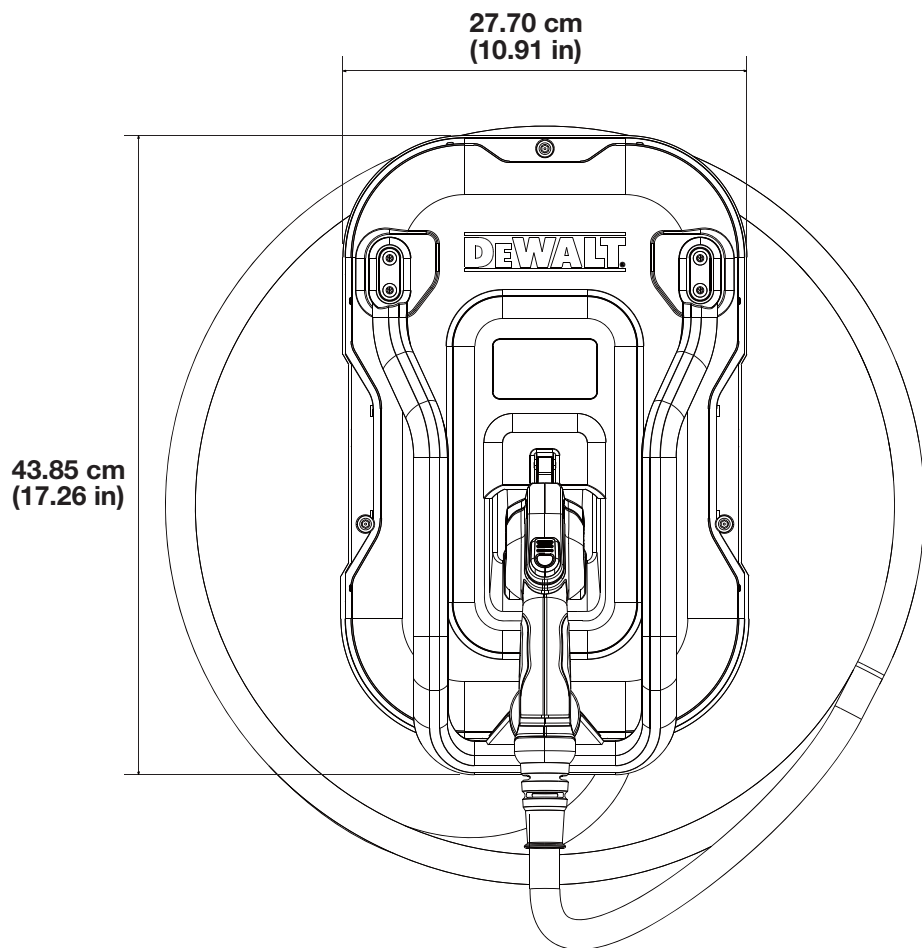
Station Enclosure Rating	Type 4
Safety and Compliance	UL list; complies with UL2594, UL2231-1, UL2231-2
EMC Compliance	FCC Part 15 Class B
Storage Temperature	-22 °F to + 122 °F (-30 °C to + 50 °C)
Operating Temperature	-22 °F to + 122 °F (-30 °C to + 50 °C)
Related Humidity	≤95% RH, no water droplet condensation
Altitude	≤1.24 miles (≤2000 m)
ENERGY STAR® Certification	No

Indicators

WiFi LED	NO wifi LED, but with wifi logo in LCD
Fault Indicator per UL	No
Status LED	Yes

Installation

install Software	Mobile App (iOS & Android)
Outdoor Installation	External GFCI may conflict with internal GFCI (CCID). For hardwired installations, use a non-GFCI circuit breaker.



IF YOU HAVE ANY QUESTIONS OR COMMENTS ABOUT THIS DEWALT TOOL, CALL US TOLL FREE AT
SI TIENE ALGUNA PREGUNTA O COMENTARIO SOBRE ESTA HERRAMIENTA DEWALT, LLÁMENOS GRATUITAMENTE AL
SI VOUS AVEZ DES QUESTIONS OU DES COMMENTAIRES SUR CET OUTIL DEWALT, APPELEZ-NOUS SANS FRAIS AU

1-855-815-1171

Manufactured and Imported by
Paragon Group USA LLC, 100 West
Forest Avenue, Unit A, Englewood,
NJ 07631, USA
www.DEWALT.com
1-855-815-1171
Made in PRC

Copyright © 2023 Paragon Group USA, LLC.
DEWALT® and the DEWALT Logo are trademarks of
the DEWALT Industrial Tool Co., or an affiliate thereof
and are used under license.
The yellow/black color scheme is a trademark
for DEWALT power tools & accessories.

Fabricado e importado por
Paragon Group USA LLC, 100 West
Forest Avenue, Unidad A, Englewood,
NJ 07631, EE. UU.
www.DEWALT.com
1-855-815-1171
Hecho en PRC

Copyright © 2023 Paragon Group USA, LLC.
DEWALT® y el logotipo de DEWALT son marcas registradas de
el DEWALT Industrial Tool Co., o un afiliado de la misma
y se usan bajo licencia.
El esquema de color amarillo/negro es una marca registrada
Para herramientas y accesorios de DEWALT Power.

Fabriqué et importé par
Paragon Group USA LLC, 100 West
Forest Avenue, unité A, Englewood,
NJ 07631, États-Unis
www.DEWALT.com
1-855-815-1171
Fabriqué en RPC

Copyright © 2023 Paragon Group USA, LLC.
DEWALT® et le logo DEWALT sont des marques de commerce
de le DEWALT Industrial Tool Co., ou un affilié de celui-ci
et sont utilisés sous licence.
Le jeu de couleurs jaune / noir est une marque
pour les outils et accessoires de DEWALT.