

**DEWALT**<sup>®</sup>

**EV CHARGER**

**INSTRUCTION MANUAL  
MANUAL DE INSTRUCCIONES  
MANUEL D'INSTRUCTIONS**

**DXPAEV2000**

**DEWALT Wall Mount Holder**

**DEWALT Soporte para montaje en pared**

**DEWALT Support de fixation murale**



**⚠ WARNING:** *Read and follow instruction manual for the charger that will be used with this product. Failure to follow all instructions listed below may result in electric shock, fire and/or serious injury.*



**⚠ ADVERTENCIA:** *Lea las instrucciones antes de operar el producto. Si no se siguen todas las instrucciones enumeradas a continuación, se pueden producir descargas eléctricas, incendios y/o lesiones graves.*



**⚠ AVERTISSEMENT:** *Lire les instructions avant d'utiliser le produit. Le non-respect de toutes les instructions ci-dessous peut entraîner un choc électrique, un incendie et/ou des blessures graves.*



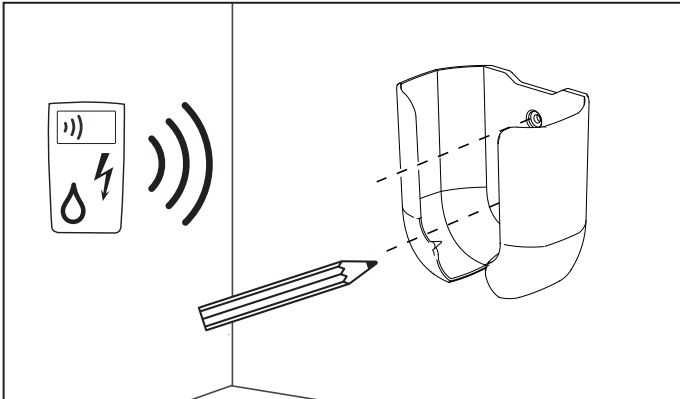
## Wall Bracket Installation for Concrete Walls

### REQUIRED TOOLS (NOT INCLUDED)

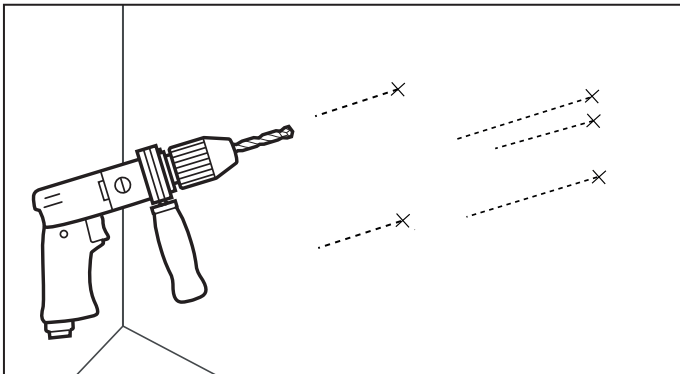
1. Stud finder
2. Screwdriver
3. Pencil
4. Ø5/16" (8 mm) drill bit

### MOUNTING THE WALL BRACKET

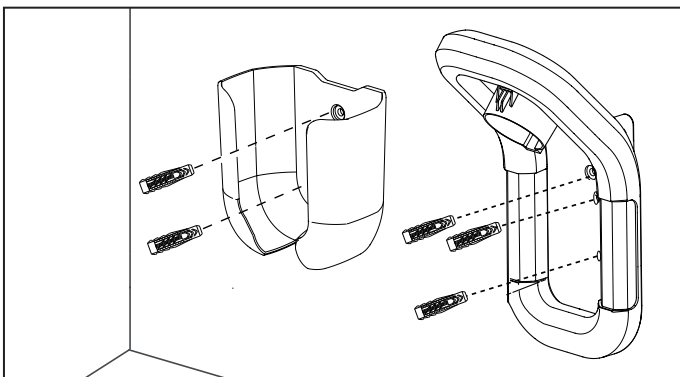
1. Use a power line/ metal detector to verify the installation area has no pipes or power lines beneath the surface. Hold the wall bracket against the installation surface. Use a level to ensure that the placement of the wall bracket is horizontal. Use a pencil to mark the screw holes in the wall bracket onto the surface.



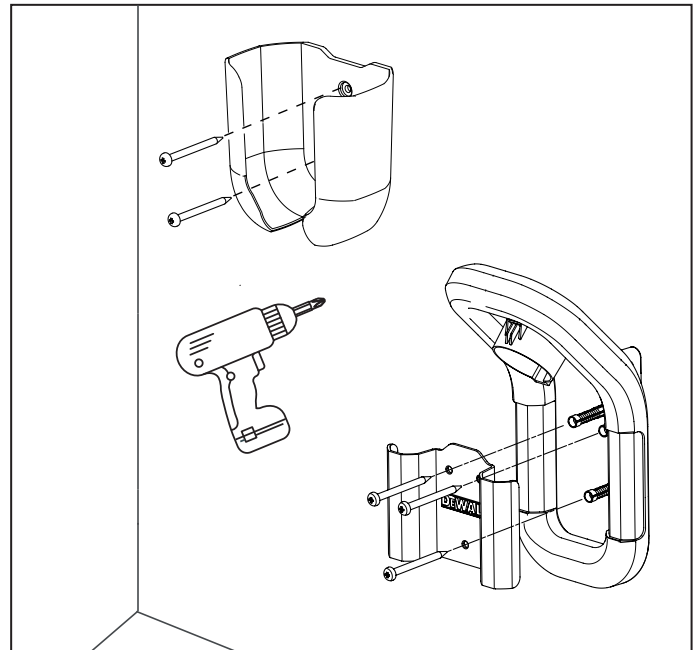
2. Drill the holes into the installation surface.



3. Insert the wall anchors into the holes.



4. Firmly mount the mount holder using the provided screws.



## Wall Bracket Installation for Drywall or Unfinished Walls

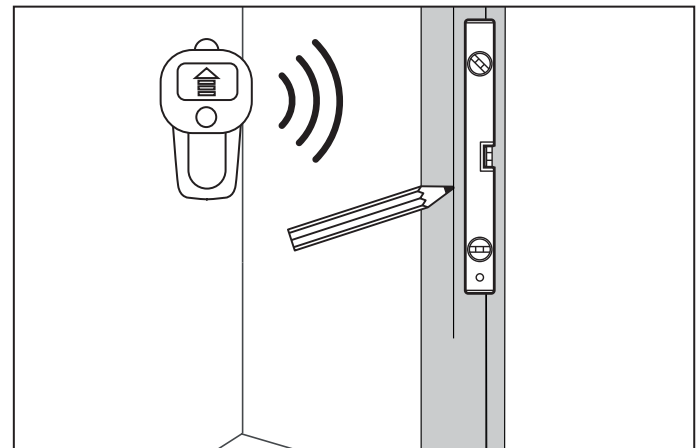
### REQUIRED TOOLS (NOT INCLUDED)

1. Level
2. Pencil
3. Stud finder
4. Screwdriver
5. Ø5/16" (8 mm) drill bit

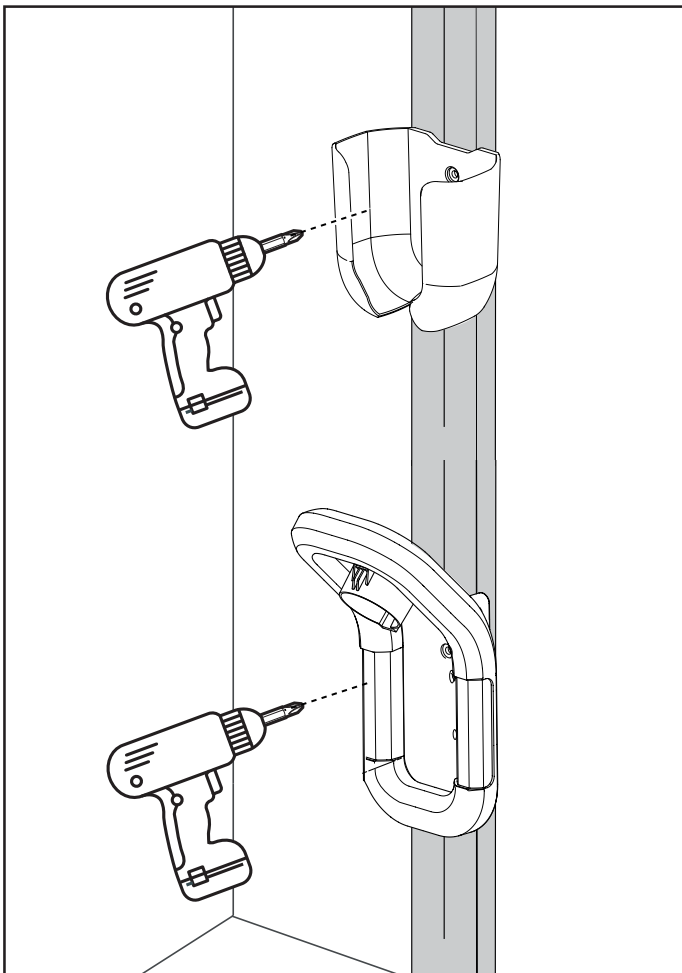
**CAUTION:** It is preferred to mount to a stud.

### MOUNTING THE WALL BRACKET

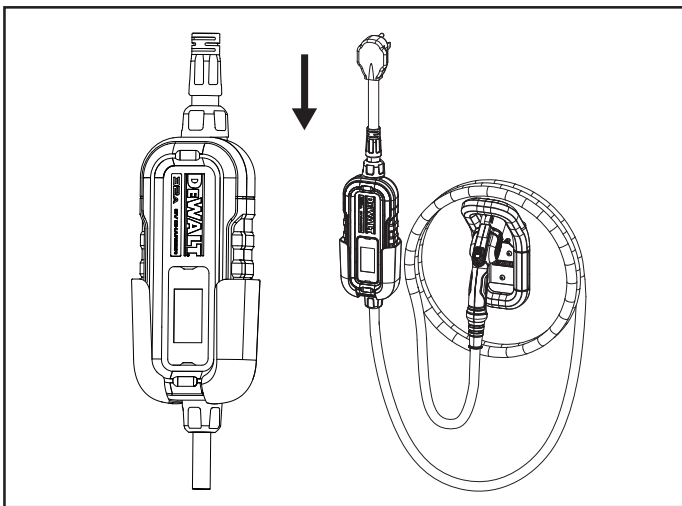
1. Use a stud finder to locate the center of a wall stud. Use a level and a pencil to draw a vertical line down the center of the wall stud.



2. Hold the wall bracket against the installation surface. Align the vertical line to the holes of the wall bracket. Firmly mount the wall bracket using the provided screws.



3. Control box inserted into the dock station and charging handle inserted into the charging hook.



## Accessories

**▲WARNING:** Since accessories, other than those offered by DEWALT, have not been tested with this product, use of such accessories with this product could be hazardous. To reduce the risk of injury, only DEWALT recommended accessories should be used with this product.

If you need assistance regarding accessories, please contact the manufacturer at 1-855-815-1171 or [support@dewaltevcharger.com](mailto:support@dewaltevcharger.com)

## Service Information

Whether you need technical advice, repair or genuine factory replacement parts, contact the manufacturer at 1-855-815-1171 or [support@dewaltevcharger.com](mailto:support@dewaltevcharger.com)

## Three Years Limited Warranty

The manufacturer warrants this product against defects in material and workmanship for a period of three (3) years from the date of retail purchase by the original end-user purchaser ("Warranty Period").

If there is a defect and a valid claim is received within the Warranty Period, the defective product can be repaired, replaced or refunded, without charge, in the following ways: (1) Return the product to the manufacturer for repair, replacement or refund at manufacturer's option. Proof of purchase may be required by manufacturer. (2) Return the product to the retailer where product was purchased for an exchange (provided that the store is a participating retailer). Returns to retailer should be made within the time period of the retailer's return policy for exchanges only (usually 30 to 90 days after the sale). Proof of purchase may be required. Please check with the retailer for their specific return policy regarding returns that are beyond the time set for exchanges.

This warranty does not apply to: accessories, bulbs, fuses and batteries; defects resulting from normal wear and tear, accidents; damages sustained during shipping; alterations; unauthorized use or repair; neglect, misuse, abuse; and failure to follow instructions for care and maintenance for the product.

This warranty gives you, the original retail purchaser, specific legal rights and you may have other rights which vary in certain states or provinces. This product is not intended for commercial use.

## 90 DAYS Refund Policy

If you are not completely satisfied with the performance of this product for any reason, you can return it within ninety (90) days from the date of purchase with a receipt for a full refund.

Please visit our website [www.DEWALT.com/register](http://www.DEWALT.com/register) to register your new DEWALT product and to be kept up to date on new products and special offers.

## Specifications

<b>Model:</b>	DAPAEV2000
<b>Max. load</b>	53 lbs
<b>Working temperature</b>	-22 °F to + 122 °F (-30 °C to + 50 °C)

IF YOU HAVE ANY QUESTIONS OR COMMENTS ABOUT THIS DEWALT TOOL, CALL US TOLL FREE AT  
SI TIENE ALGUNA PREGUNTA O COMENTARIO SOBRE ESTA HERRAMIENTA DEWALT, LLÁMENOS GRATUITAMENTE AL  
SI VOUS AVEZ DES QUESTIONS OU DES COMMENTAIRES SUR CET OUTIL DEWALT, APPELEZ-NOUS SANS FRAIS AU

**1-855-815-1171**

Manufactured and Imported by  
Paragon Group USA LLC, 100 West  
Forest Avenue, Unit A, Englewood,  
NJ 07631, USA  
www.DEWALT.com  
1-855-815-1171  
Made in PRC

Copyright © 2023 Paragon Group USA, LLC.  
DEWALT® and the DEWALT Logo are trademarks of  
the DEWALT Industrial Tool Co., or an affiliate thereof  
and are used under license.  
The yellow/black color scheme is a trademark  
for DEWALT power tools & accessories.

Fabricado e importado por  
Paragon Group USA LLC, 100 West  
Forest Avenue, Unidad A, Englewood,  
NJ 07631, EE. UU.  
www.DEWALT.com  
1-855-815-1171  
Hecho en PRC

Copyright © 2023 Paragon Group USA, LLC.  
DEWALT® y el logotipo de Dewalt son marcas registradas de  
el DEWALT Industrial Tool Co., o un afiliado de la misma  
y se usan bajo licencia.  
El esquema de color amarillo/negro es una marca registrada  
Para herramientas y accesorios de DEWALT Power.

Fabriqué et importé par  
Paragon Group USA LLC, 100 West  
Forest Avenue, unité A, Englewood,  
NJ 07631, États-Unis  
www.DEWALT.com  
1-855-815-1171  
Made in RPC

Copyright © 2023 Paragon Group USA, LLC.  
DEWALT® et le logo DEWALT sont des marques de commerce  
de le DEWALT Industrial Tool Co., ou un affilié de celui-ci  
et sont utilisés sous licence.  
Le jeu de couleurs jaune / noir est une marque  
pour les outils et accessoires de DEWALT.