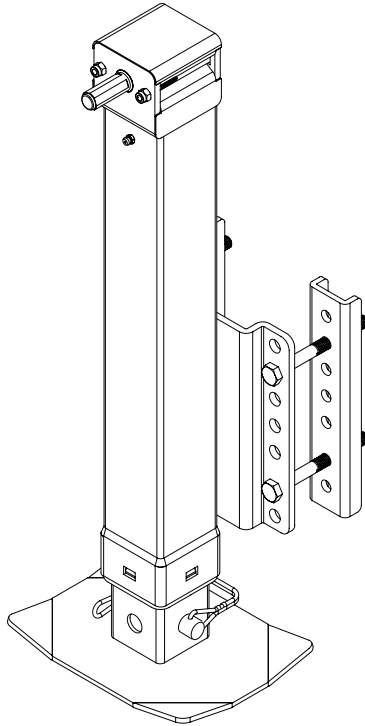


JX7-S

OPERATING MANUAL

Rev 9.28.23



MOVE FORWARD.



WARNING

Carefully read and understand all the instructions before connecting your new Trailer Valet Drill Jack.

Failure to follow these guidelines may result in serious injury to persons and property for which Trailer Valet will not be held liable. Do not allow persons to operate or assemble this unit until they have read this manual and have developed a thorough understanding of how the unit works.

THANK YOU FOR YOUR PURCHASE!

Congratulations on your purchase of the Trailer Valet JX7-S. For your future reference, please complete the owner's record below:

Purchase Date: _____

Order No.: _____

Retailer: _____

Be sure to keep your receipt, owner's manual, and warranty information in a safe place.

TABLE OF CONTENTS

WARNING AND TABLE OF CONTENTS.....	2
IMPORTANT SAFETY INFORMATION.....	3
SPECIFICATIONS.....	4
ASSEMBLY.....	5
OPERATING INSTRUCTIONS.....	6
LIMITED MANUFACTURER'S WARRANTY.....	7



IMPORTANT SAFETY INFORMATION

Failure to heed these warnings may result in personal injury and/or property damage:

1. DO NOT leave your trailer free standing without the use of wheel chocks.
2. DO NOT submerge the jack in water (salt or fresh) or leave it in water for prolonged periods, since this can damage the gears and erode lubricants.
3. Carefully read all instructions. The operator of the jack must exercise common sense, caution, and full judgment when assessing situations not covered or cautioned in this manual.
4. The Trailer Valet JX is designed for specific applications only. Trailer Valet will not be responsible for issues arising from modifications made onto the device. Do not modify the device or use the device for any application other than its intended purpose. Do not exceed the designated weight limits.
5. As with all devices with moving parts, do not wear excessively loose clothing as it may become caught, resulting in injury. Tie back and secure long hair.
6. This product must be installed and used in strict accordance with these instructions.
7. Always read and understand your drill/driver operator's manual and instructions.
8. Before each use of the Trailer Valet JX, check for damaged parts. Carefully inspect the device for any part that appears to be damaged to determine if the device will operate properly. Check for alignment and secure mounting of all moving parts. If the device is neither aligned, secured, or both: DO NOT use the device.
9. When servicing, use only factory replacement parts.
10. Have wheel chocks in place before/after use and ready in case of emergency.
11. Never exceed the maximum rated capacity. Refer to the specifications section of this operating manual or decals on the product to obtain rated capacity. If uncertain, contact Customer Support at (844) 846-9344 or email: support@trailervalet.com.
12. The Trailer Valet JX is designed for vertical loading. Excessive side forces may cause failure and must be avoided.
13. The use of gloves is recommended while attaching the device to the trailer.

Phone: (844) 846-9344

Email: support@trailervalet.com

Website: www.trailervalet.com

SAVE THESE INSTRUCTIONS



SPECIFICATIONS

The Trailer Valet JX Series is a line of manual hand-crank trailer jacks that have the versatility to be powered using any standard 20-24V drill and a Trailer Valet Drill Attachment. Designed for consumers to make hitching and adjusting quick and easy in comparison to standard hand-crank jacks, the new JX 7K jack comes with a 7,000 lbs static capacity and a larger side mount bracket. Each unit comes with a detachable hand crank, drill attachment, mount bracket hardware, and a drop leg footplate.

Static Capacity: 8,000 lbs

Dynamic Capacity (with Crank Handle): 7,000 lbs

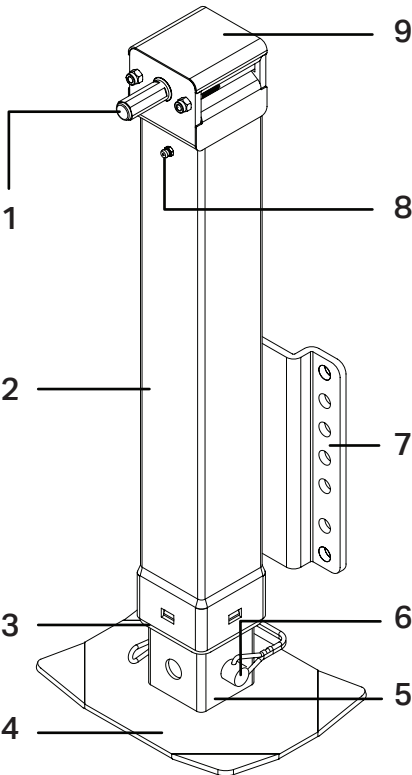
Dynamic Capacity (with Drill): 6,000 lbs

Gear Ratio: 3:4

Mount Type: Fixed Bracket

Jack Extension: 26.6 inches (13.6 inches screw travel, 13.0 inches drop leg extension)

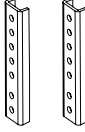

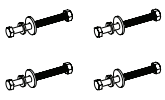

Weight: 25.9 lbs



The Trailer Valet JX7-S

1. Drill Drive Shaft
2. Outer Tube
3. Weather Sleeve
4. Foot Plate
5. Inner Tube
6. Clevis Pin
7. Mounting Bracket
8. Grease Fitting
9. Gear Cover

Includes:

 Bracket Clamps (2X)	 Drill Attachment
 Bracket Bolts (4X)	 Crank Handle

Upon removing items from packaging, it is very important to thoroughly inspect all parts of the system. Any part that is missing or damaged must be immediately replaced before using the device.

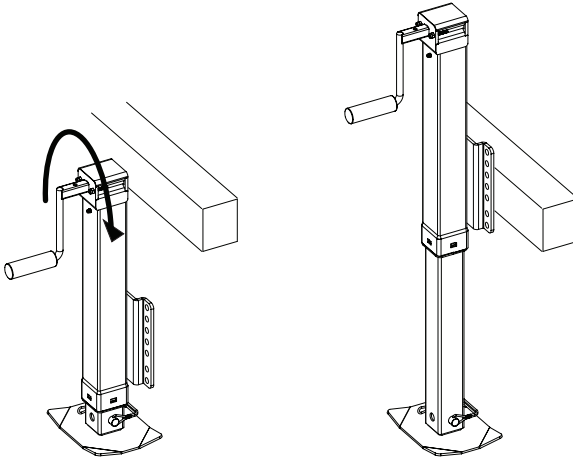
Contact Trailer Valet Customer Service at 1-844-846-9344 or Support@TrailerValet.com



ASSEMBLY

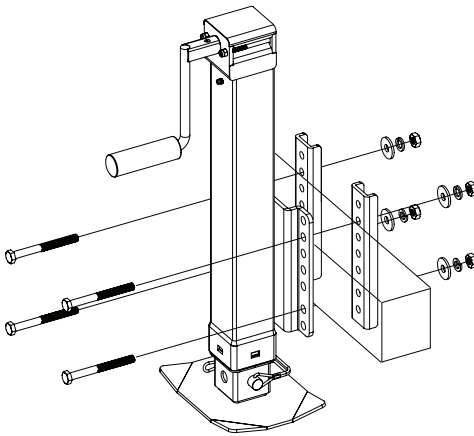
Prior to install, raise the trailer tongue until you have adequate space to attach the jack. The unit must be attached while the weight of the trailer is supported by an existing support or tow vehicle. Having wheel chocks in place during connection will ensure a safe install.

STEP 1: In order to ease installation, extend the jack so that the mounting bracket is at the desired mount height with the frame. The drop leg can also be lowered to gain additional extension of the jack.



STEP 2: Secure with the included two Bracket Clamps and the four bolts, nuts and washers.

NOTE Have the bottom Bracket Bolts resting directly underneath the tongue of the trailer to help insure the bracket doesn't shift/tilt while jacking up the trailer.



WARNING The Mount Bracket is only to be installed on trailer frames that are rectangular in profile. Cylindrical frames are not compatible with the Mount Bracket.

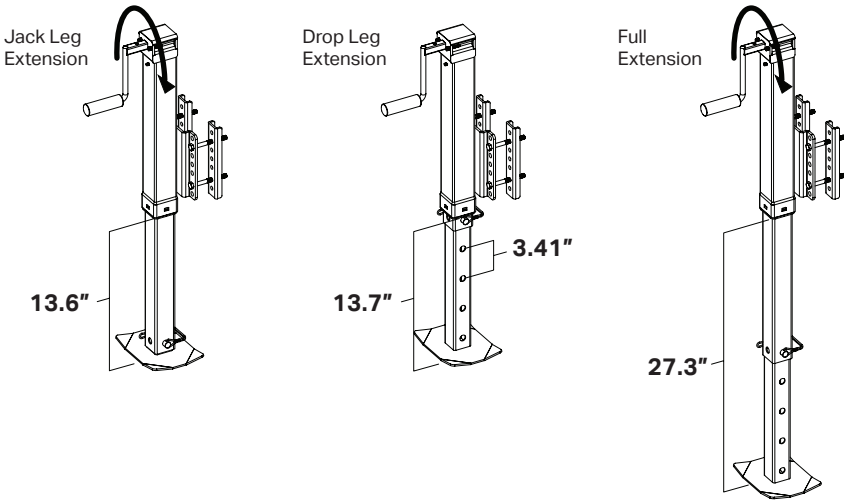


OPERATING INSTRUCTIONS

OPTION 1: MANUAL OPERATION

STEP 1: Attach the Crank Handle to the driveshaft located at the top of the unit. Turning the handle clockwise will extend the jack. Turning the handle counter-clockwise will retract the jack.

STEP 2: Lower the drop leg as needed for additional extension of the jack.



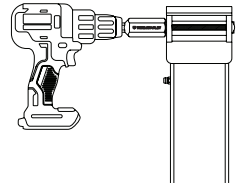
OPTION 2: DRILL OPERATION WITH THE DRILL ADAPTER

STEP 1: The Drill Adapter can be used with any standard 20 to 24 volt, ½ inch chuck, consumer drill. *Corded drills and impact drills are not recommended.*

STEP 2: Slot the Drill Adapter into your drill chuck and secure tightly to avoid the adapter slipping.

STEP 3: When using an electric drill, it will have high initial torque if the drill trigger is pulled rather than squeezed. For proper use, hold the drill firmly and begin to squeeze the trigger slowly, increasing the power up to an appropriate speed.

NOTE: When using a power drill, be sure your battery pack is fully charged before use. Follow your drill manufacturer's recommendations and instructions.



STORING THE DEVICE (IF APPLICABLE)

After use, lower your jack until your trailer frame sits level and remove the drill adapter/crank handle.

MAINTENANCE

The recommended lubrication schedule for the JX is to grease the components through the grease fitting every 90 days. After adding the grease, extend and retract the jack several times to distribute the grease evenly over the components.



LIMITED MANUFACTURER'S WARRANTY

SuperTech S Corp warrants for one year from the purchase date that the product will be in working condition and will be free from manufacturing defects, provided that installation and use of the product is in accordance with product instructions. This warranty is only made to the original consumer purchaser and is non-transferable.

ALL OTHER WARRANTIES IMPLIED OR EXPRESSED ARE HEREBY DISCLAIMED.

THIS WARRANTY DOES NOT COVER:

1. Normal wear and tear or normal aging of the product;
2. Consumable parts designed to diminish over time, unless failure occurred due to a manufacturing defect;
3. Cosmetic damage, including but not limited to scratches and dents;
4. Damage through accident, abuse, neglect, misuse, natural events, or other external causes;
5. Damage through misapplication, overloading, or improper installation;
6. Damage due to improper maintenance and repair; and/or
7. Product alterations.

LIMITATION OF LIABILITY:

EXCEPT AS PROVIDED IN THIS WARRANTY AND TO THE MAXIMUM EXTENT PERMITTED BY LAW, SUPERTECH IS NOT RESPONSIBLE FOR ANY DIRECT, INCIDENTAL, CONSEQUENTIAL DAMAGES, OR INJURIES RESULTING FROM ANY BREACH OF WARRANTY OR CONDITION; INCLUDING, BUT NOT LIMITED TO, LOSS OF USE, LOSS OF REVENUE, LOSS OF ACTUAL OR ANTICIPATED PROFITS, LOSS OF BUSINESS, LOSS OF OPPORTUNITY, LOSS OF GOOD WILL, LOSS OF REPUTATION, OR ANY DIRECT, INDIRECT, OR CONSEQUENTIAL LOSS OR DAMAGE WHATSOEVER CAUSED, INCLUDING THE REPLACEMENT OF EQUIPMENT AND PROPERTY.

CUSTOMER RESPONSIBILITIES:

Customers may be required to provide proof of purchase date, respond to questions designed to assist with diagnosing potential issues, and follow Trailer Valet's directions to make a claim on your warranty.

TO MAKE A WARRANTY CLAIM:

Contact us either through:
PHONE: (844) 846-9344
EMAIL: support@trailervalet.com
WEBSITE: www.trailervalet.com

TRAILER VALET SHALL HAVE THE EXCLUSIVE RIGHT TO DETERMINE IF A UNIT IS COVERED UNDER ITS LIMITED MANUFACTURER'S WARRANTY.

SEVERABILITY:

The invalidity, illegality, or unenforceability of any provision of this warranty shall not render the other provisions invalid, illegal, or unenforceable.

GOVERNING LAW AND JURISDICTION

This warranty shall be governed by the laws of the State of California. The courts of California shall have the exclusive right to adjudicate any disputes arising under or in connection to this warranty.

Copyright 2023 by Supertech S. Corporation. All rights reserved. No portion of this manual or any artwork contained herein may be reproduced in any shape or form without the express written consent of Supertech S. Corporation.



For further information or if you have any questions, please contact:

SUPERTECH S. CORP.
Customer Service: (844) 846-9344
Email: support@trailer valet.com
WWW.TRAILERVALET.COM