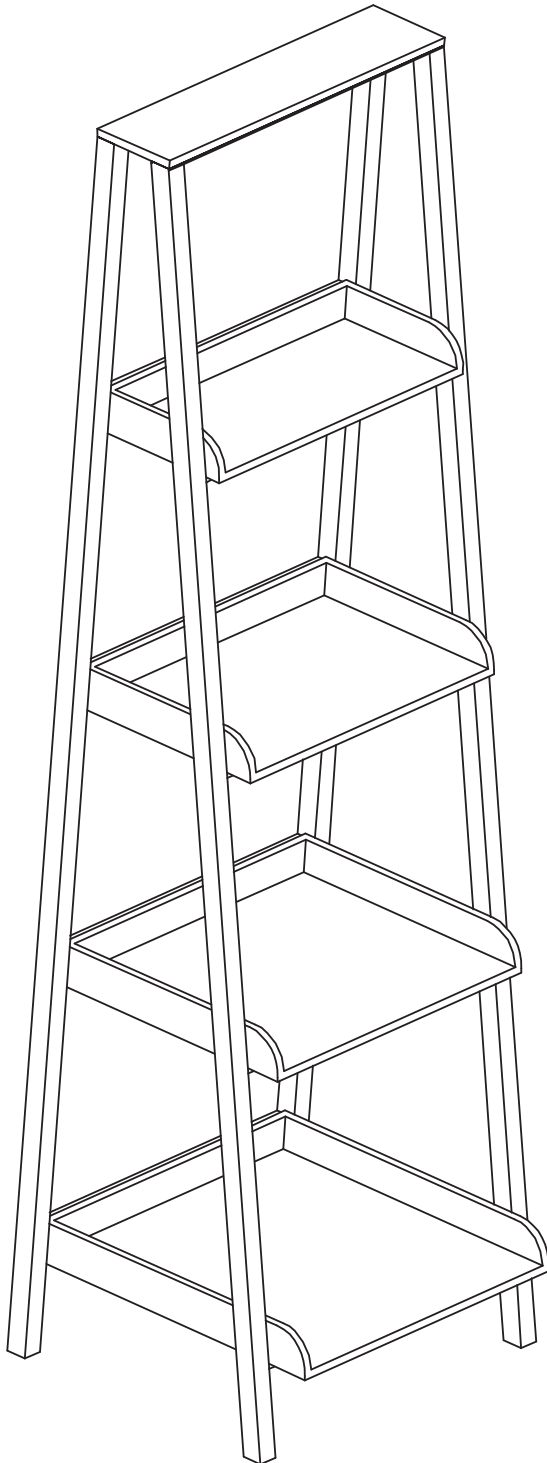


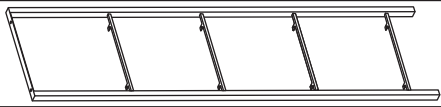
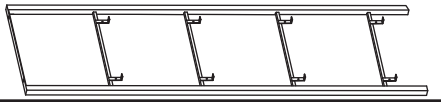



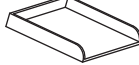
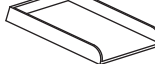


Thank you for choosing Sunnydaze Decor. We stand behind our brand and the quality of the items we sell. Replacement parts or products will be sent at our discretion within the 1-year warranty period. Proof of purchase, with the date of purchase as well as photos of the merchandise defect, must be provided. Photos are used to determine the cause of defects and for future quality control. Register your warranty at <https://tiny.cc/SunnydazeWarranty>. If you have any questions, comments or concerns, feel free to contact us by phone at 833-982-1977, by email: customerservice@sunnydazedecor.com, or via our contact us page at <https://tiny.cc/SunnydazeContact>

LADDER BOOKSHELF NPH-557

Review all assembly and care information carefully before using this product. Save this manual for future reference.
Assemble components on a soft, clean surface to avoid damaging the finish.



Inspect packaging to ensure all parts are accounted for before disposing of packing materials.
Save the packing slip.

No.	PARTS	QTY.
A	 Front Frame	1
B	 Back Frame	1
C	 Top Panel	1
D	 Top Shelf	1
E	 Second Shelf	1
F	 Third Shelf	1
G	 Bottom Shelf	1
H	 M4x12mm Screw	24
I	 M6x10mm Bolt	4

TOOLS REQUIRED (not included)



Phillips Screwdriver

! WARNING !

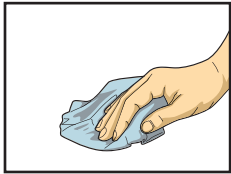
CHOKING HAZARD — This item contains small parts that can be swallowed. Keep children and pets away during assembly.

INTRODUCTION

Read the manual carefully to ensure you fully understand all use, care, assembly, and safety information.



Read this manual carefully and follow the assembly instructions.



Regularly clean with a clean microfiber cloth to prevent dust accumulation.



Do not paint the unit.
Do not use abrasive materials or cleaners to clean the furniture; only use a slightly moistened cloth.



Keep sharp objects away as they may scratch or damage the unit.
Do not use the furniture as a writing surface without a padded barrier.



Assemble on a soft, flat, clean, and dry surface.

Use a soft, protective barrier when assembling the furniture.



TIP: Use the box carton as a protective layer to separate and protect the parts from scratches and other damage during assembly.



Do not push or drag furniture as doing so may damage the unit.
Only move furniture when it is empty.

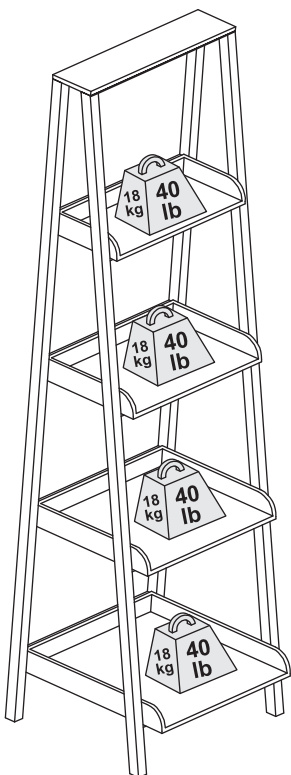


Always ask for help when moving furniture.



Avoid Accidents - Do not climb, sit or stand on the furniture.

Do not allow children to play on or inside the furniture.



WEIGHT CAPACITY

Please pay attention to the maximum weight supported by each shelf.

Always ensure weight is evenly distributed.

To ensure the quality of the product, take care not to exceed the weight capacities.

Always place the heaviest items on the lowest shelves.

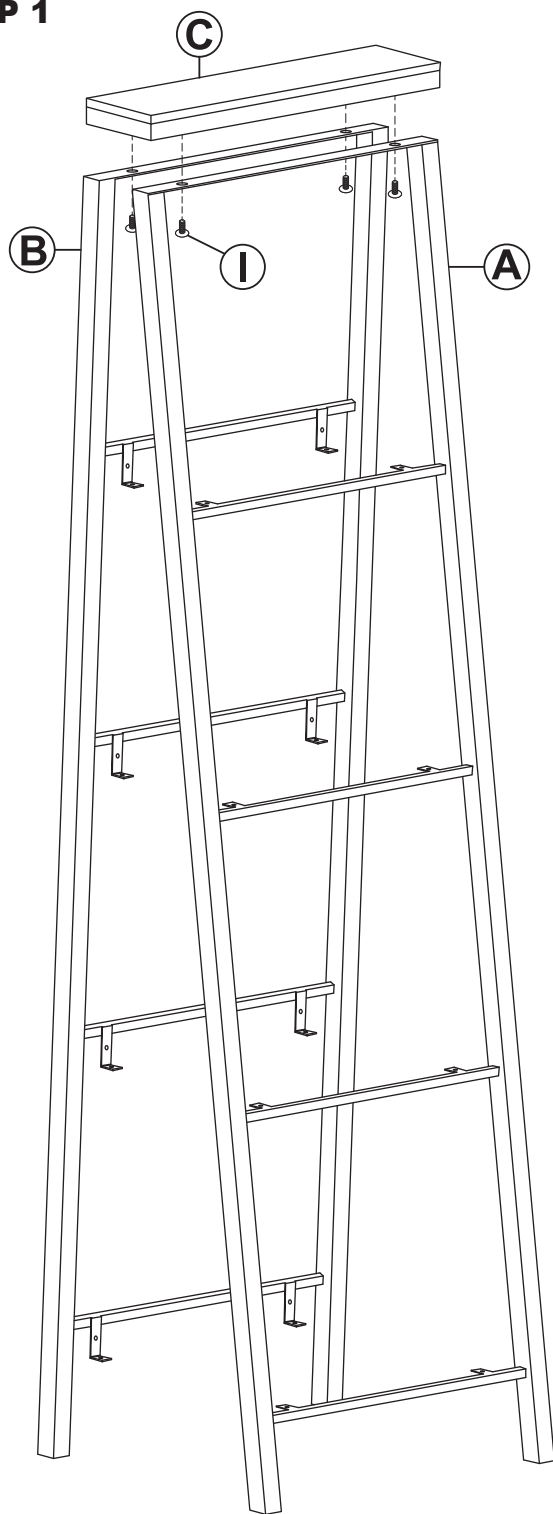
WARNING:

Manufacturer and seller expressly disclaim any and all liability from personal injury, property damage or loss, whether direct or indirect, or incidental, resulting from the incorrect attachment, improper use, inadequate maintenance, or neglect of this product.

ASSEMBLY

STEP 1

- A: 1
- B: 1
- C: 1
- I: 4

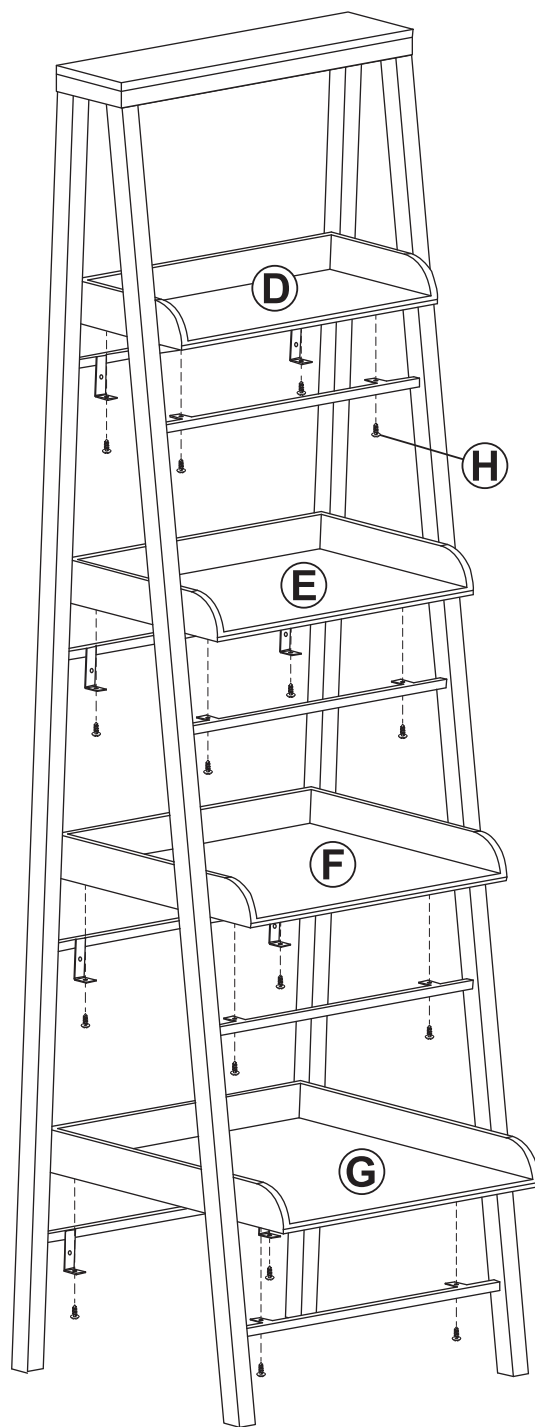


Ensuring the shelf mounting brackets face the center, align Top Panel (C) with Front Frame (A) and Back Frame (B). Loosely secure the top panel by hand-tightening six M6x10mm Bolts (I).

Do not fully tighten hardware.

STEP 2

- D: 1
- E: 1
- F: 1
- G: 1
- H: 16

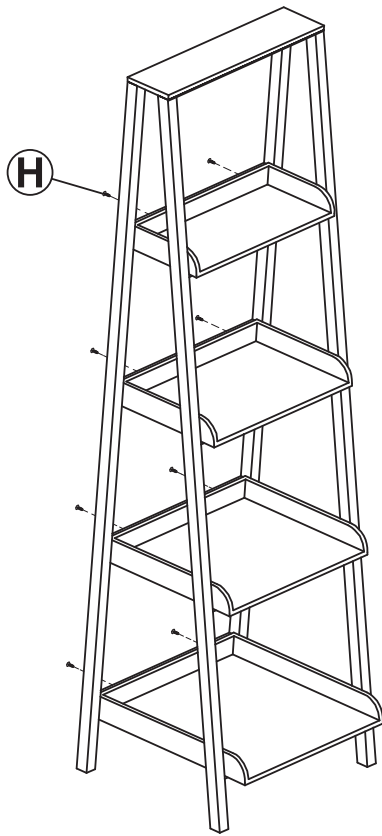


Secure Top Shelf (D), Second Shelf (E), Third Shelf (F), and Bottom Shelf (G) to the bottom of the brackets of the back frame using two M4x12mm Screws (H) for each shelf, as shown.

Then, secure the front of each shelf to the front frame using two M4x12mm Screws (H).

STEP 3

H: 8



For additional stability, secure the back of the brackets on the back frame to each shelf using two M4x12mm Screws (H).

Finish tightening all hardware.

! SAFETY STATEMENTS & WARNINGS !

- For residential use only. Not for commercial or industrial use.
- Ensure all fittings are tight before use. Periodically check fittings to ensure they are tight.
- Only use this unit on a flat, level surface.
- Do not sit, stand or climb on the unit.
- Supervise children; never allow children to climb or sit on this unit as it may tip over and cause serious injury.
- Do not place liquids or hot items directly on the furniture.
- Never use chemical cleaning products or polishes as doing so may damage the finish.
- Do not exceed the weight capacity of the furniture.
- Do not overload the shelves, as doing so may cause them to sag.
- Always place the heaviest items on the lowest shelves.
- Avoid long-term exposure to sunlight.
- Avoid placing the unit near heating or cooling vents as forced air is very drying and can damage the unit.
- Do not write on furniture without a padded barrier to protect the surface.

Any modification to the product or failure to follow recommended care will void the product warranty.

If you experience issues with assembly or the product was damaged during shipping, please contact our customer service team directly through one of the methods mentioned at the top of page 1.

Please have the item number and order information ready to expedite response time.

! WARNING:

Manufacturer and seller expressly disclaim any and all liability from personal injury, property damage or loss, whether direct or indirect, or incidental, resulting from the incorrect attachment, improper use, inadequate maintenance, or neglect of this product.