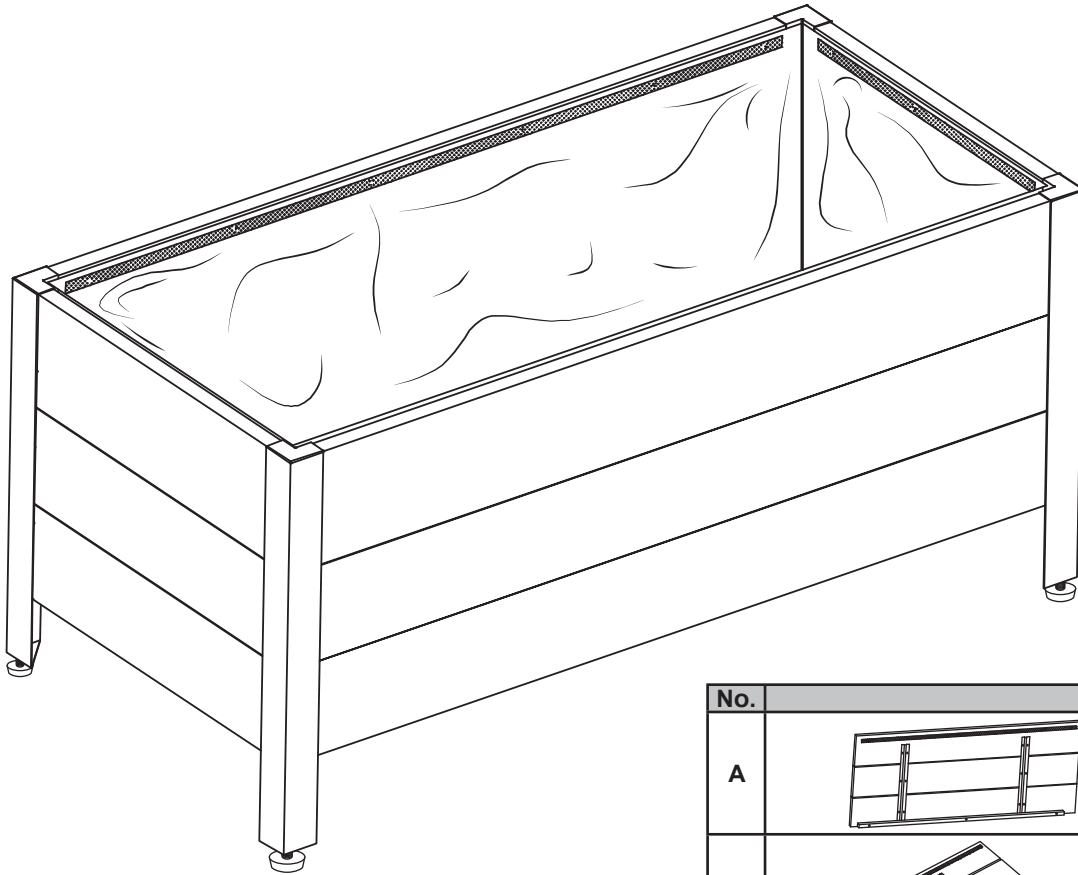



Thank you for choosing Sunnydaze Decor. We stand behind our brand and the quality of the items we sell. Replacement parts or products will be sent at our discretion within the 1-year warranty period. Proof of purchase, with the date of purchase as well as photos of the merchandise defect, must be provided. Photos are used to determine the cause of defects and for future quality control. Register your warranty at <https://tiny.cc/SunnydazeWarranty>. If you have any questions, comments or concerns, feel free to contact us by phone at 833-982-1977, by email: customerservice@sunnydazedecor.com, or via our contact us page at <https://tiny.cc/SunnydazeContact>

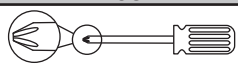
ACACIA WOOD PLANTER BOX WITH REMOVABLE PLANTER BAG

Review all assembly and care information carefully before using this product. Save this manual for future reference.
Assemble components on a soft, clean surface to avoid damaging the finish.

Inspect packaging to ensure all parts are accounted for before disposing of packing materials.
 Save the packing slip.

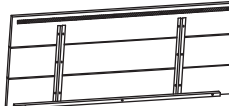
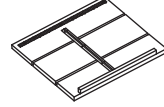
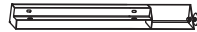

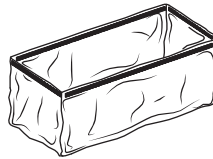

RECOMMENDED TOOLS (not included)



Phillips Screwdriver

⚠ WARNING ⚠

CHOKING HAZARD — This item contains small parts that can be swallowed. Keep children and pets away during assembly.

No.	PARTS	QTY.
A	 Side Panel	2
B	 End Panel	2
C	 Leg	4
D	 Bottom Slat	11
E	 Planter Bag	1
F	 M4x12mm Screw	16

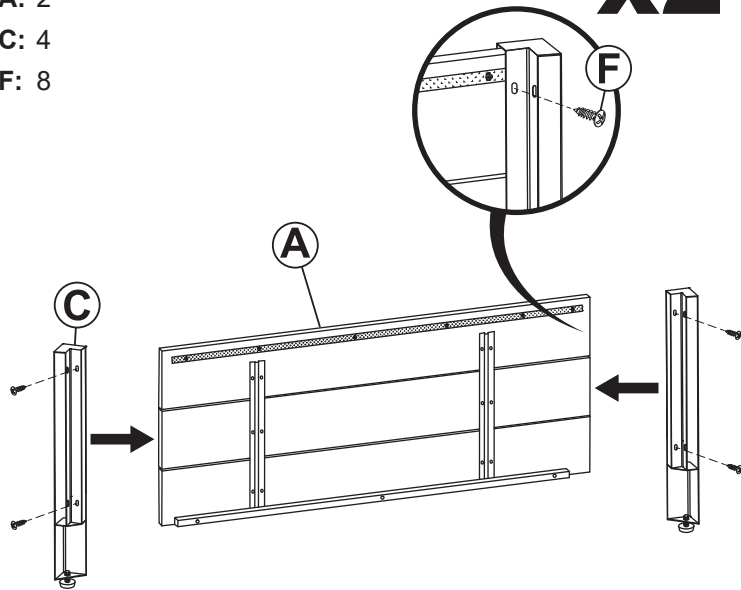
⚠ WARNING:
 Manufacturer and seller expressly disclaim any and all liability from personal injury, property damage or loss, whether direct or indirect, or incidental, resulting from the incorrect attachment, improper use, inadequate maintenance, or neglect of this product.

ASSEMBLY

STEP 1

A: 2
C: 4
F: 8

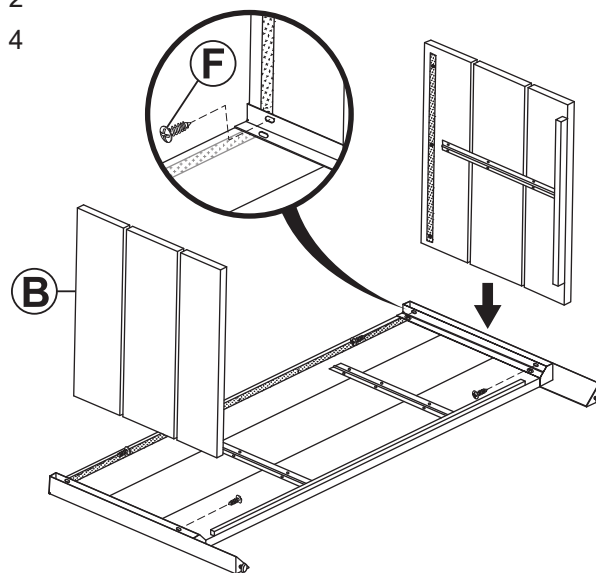
x2



Align two Legs (C) with one Side Panel (A), as shown. Align the indents on Panel (A) with the mounting holes in the legs, secure each leg using two M4x12mm Screws (F).

STEP 2

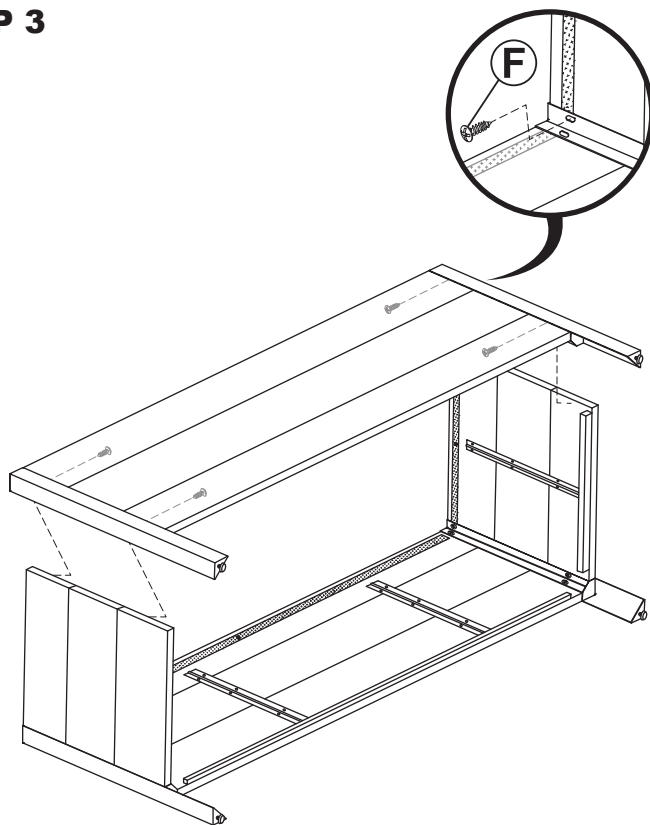
B: 2
F: 4



Align two End Panels (B) with the legs of one assembled side panel. Secure each side panel using two M4x12mm Screws (F).

STEP 3

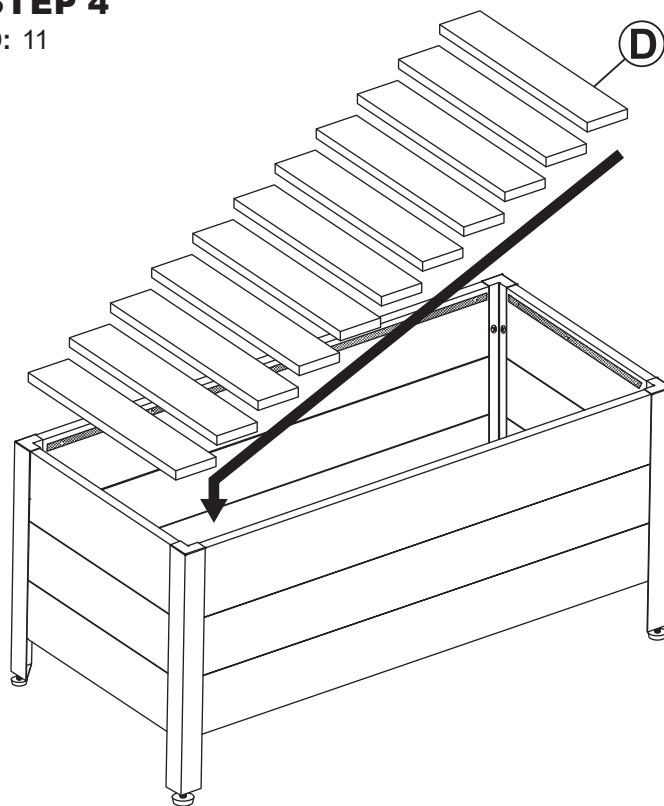
F: 4



Align the remaining assembled side panel to the end panels using four M4x12mm Screws (F).

STEP 4

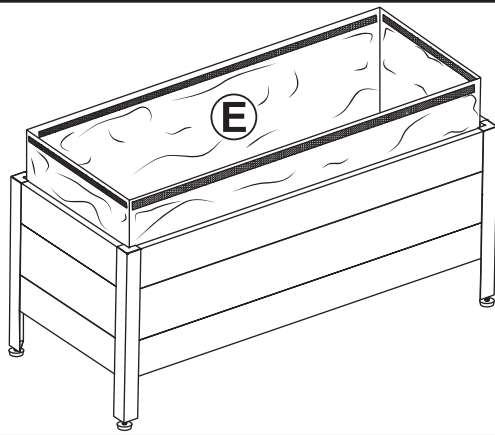
D: 11



Place eleven Bottom Slats (D) in the bottom of the planter box.

STEP 5

E: 1



Install Planter Bag (E) into the planter box by aligning the hook and loop fastener strip on the bag to the strip inside the planter box.

Care & Maintenance

LOCATION: For outdoor use. Only use on a flat, level surface. Be mindful of where the unit is placed, leaks and/or run-off from planters can damage surfaces.

FILLING: Lightweight potting soil is recommended for filling the liner.

MOVING: Do not move the garden bed while it is full or in use. When empty, and with assistance of another person, lift beneath the side panels of the planter box. Do not drag the garden bed as doing so will weaken assembly points and could cause breakage.

CLEANING:

WOOD: Follow the woodgrain with a soft brush or cloth to remove dust, dirt and debris. Do not use chemicals or abrasive materials as they will damage the wood and/or finish. Remove stubborn dirt and stains with a mixture of warm water and mild, non-detergent soap. Thoroughly rinse away all soap residue.

PLASTIC LINER: Mix 1 part distilled vinegar with 4 or 5 parts warm water. Use a soft cloth to wash the liner. Rinse thoroughly and allow to thoroughly dry before reusing.

EXPOSURE: Wood expands when wet and contracts when it dries. Repeated and excessive exposure to moisture, rain or snow can cause damage to the product. Resulting damage includes, but is not limited to, assembly points becoming loose, wood cracking, mold and mildew growth, and hardware rust. Over time, sunlight and weather elements may degrade and change the color of this product. Manufacturer is not liable for damage caused by exposure to weather elements.

Periodically check all bolts and screws and tighten as necessary.

MAINTENANCE: To maintain the appearance, apply a suitable penetrating wood oil (not included) to wooden surfaces at least once a year, or when the wood looks particularly dry. Follow application instructions as provided by the wood oil manufacturer.

During winter & freezing temperatures, move unit to a dry, indoor location. Cover unit to prevent dust build-up.

SCRATCHES: The finish on the legs is tough & durable but, even under normal use, some scratching is inevitable. Scratches can be repaired with rust-resistant paint (not included).

WARNING: THE ONE-YEAR WARRANTY DOES NOT COVER DAMAGES OR DEFECTS CAUSED BY THE APPLICATION OF CHEMICAL TREATMENTS, PROTECTIVE COATINGS, TOUCH-UP PAINT, OR CLEANING PRODUCTS.

! SAFETY STATEMENTS & WARNINGS !

- Recommended for outdoor use only. Manufacturer is not liable for damage caused by using this product indoors.
- Ensure all fittings are tight before use. Periodically check fittings to ensure they remain tight.
- Only use this unit on a flat, level surface.
- Do not exceed the capacity of the unit.
- Never stand or climb on the unit.
- Never allow children to use this product unsupervised.
- Keep unit a safe distance from heat sources such as fire pits, patio heaters, and grills.
- Never use chemical cleaning products or polishes as doing so may damage the finish.

Any modification to the product or failure to follow recommended care will void the product warranty.

If you experience issues with assembly or the product was damaged during shipping, please contact our customer service team directly through one of the methods mentioned at the top of page 1. Please have the item number and order information ready to expedite response time.

! WARNING:

Manufacturer and seller expressly disclaim any and all liability from personal injury, property damage or loss, whether direct or indirect, or incidental, resulting from the incorrect attachment, improper use, inadequate maintenance, or neglect of this product.